






**JME SHORTSLUGGER II**

**7 270 ...**

<b>en</b>	Instruction Manual	 <b>3</b>
<b>fr</b>	Mode d'emploi	 <b>27</b>
<b>es</b>	Instrucciones de uso	 <b>52</b>

## For your safety.

**⚠ WARNING** **Read all safety warnings, instructions, illustrations and specifications provided with this power tool.** Failure to follow all instructions listed below may result in electric shock, fire and/or serious injury.  
**Save all warnings and instructions for future reference.**

**👤** Do not use this power tool before you have thoroughly read and completely understood this Instruction Manual, including the figures, specifications, safety regulations and the signs indicating DANGER, WARNING and CAUTION.

Only carry out such operations with this power tool as intended for by FEIN. Only use application tools and accessories that have been released by FEIN.

Please also observe the relevant national industrial safety regulations.

Non-observance of the safety instructions in the said documentation can lead to an electric shock, burns and/or severe injuries.

This Instruction Manual should be kept for later use and enclosed with the power tool, should it be passed on or sold.

**SAVE THESE INSTRUCTIONS.**

The term “power tool” in the warnings refers to your mains-operated (corded) power tool or battery operated (cordless) power tool.

## General Power Tool Safety Warnings.

### 1) Work area safety

- a) **Keep work area clean and well lit.** Cluttered or dark areas invite accidents.
- b) **Do not operate power tools in explosive atmospheres, such as in the presence of flammable liquids, gases or dust.** Power tools create sparks which may ignite the dust or fumes.
- c) **Keep children and bystanders away while operating a power tool.** Distractions can cause you to lose control.

### 2) Electrical safety

- a) **Power tool plugs must match the outlet. Never modify the plug in any way. Do not use any adapter plugs with earthed (grounded) power tools.** Unmodified plugs and matching outlets will reduce risk of electric shock.
- b) **Avoid body contact with earthed or grounded surfaces, such as pipes, radiators, ranges and refrigerators.** There is an increased risk of electric shock if your body is earthed or grounded.
- c) **Do not expose power tools to rain or wet conditions.** Water entering a power tool will increase the risk of electric shock.
- d) **Do not abuse the cord. Never use the cord for carrying, pulling or unplugging the power tool. Keep cord away from heat, oil, sharp edges or moving parts.** Damaged or entangled cords increase the risk of electric shock.
- e) **When operating a power tool outdoors, use an extension cord suitable for outdoor use.** Use of a cord suitable for outdoor use reduces the risk of electric shock.
- f) **If operating a power tool in a damp location is unavoidable, use a residual current device (RCD) protected supply.** Use of an RCD reduces the risk of electric shock.

### 3) Personal safety

- a) **Stay alert, watch what you are doing and use common sense when operating a power tool. Do not use a power tool while you are tired or under the influence of drugs, alcohol or medication.** A moment of inattention while operating power tools may result in serious personal injury.
- b) **Use personal protective equipment. Always wear eye protection.** Protective equipment such as a dust mask, non-skid safety shoes, hard hat or hearing protection used for appropriate conditions will reduce personal injuries.

- c) **Prevent unintentional starting. Ensure the switch is in the off-position before connecting to power source and/or battery pack, picking up or carrying the tool.** Carrying power tools with your finger on the switch or energising power tools that have the switch on invites accidents.
  - d) **Remove any adjusting key or wrench before turning the power tool on.** A wrench or a key left attached to a rotating part of the power tool may result in personal injury.
  - e) **Do not overreach. Keep proper footing and balance at all times.** This enables better control of the power tool in unexpected situations.
  - f) **Dress properly. Do not wear loose clothing or jewellery. Keep your hair and clothing away from moving parts.** Loose clothes, jewellery or long hair can be caught in moving parts.
  - g) **If devices are provided for the connection of dust extraction and collection facilities, ensure these are connected and properly used.** Use of dust collection can reduce dust-related hazards.
  - h) **Do not let familiarity gained from frequent use of tools allow you to become complacent and ignore tool safety principles.** A careless action can cause severe injury within a fraction of a second.
- 4) Power tool use and care**
- a) **Do not force the power tool. Use the correct power tool for your application.** The correct power tool will do the job better and safer at the rate for which it was designed.
  - b) **Do not use the power tool if the switch does not turn it on and off.** Any power tool that cannot be controlled with the switch is dangerous and must be repaired.
  - c) **Disconnect the plug from the power source and/or remove the battery pack, if detachable, from the power tool before making any adjustments, changing accessories, or storing power tools.** Such preventive safety measures reduce the risk of starting the power tool accidentally.
  - d) **Store idle power tools out of the reach of children and do not allow persons unfamiliar with the power tool or these instructions to operate the power tool.** Power tools are dangerous in the hands of untrained users.
  - e) **Maintain power tools and accessories. Check for misalignment or binding of moving parts, breakage of parts and any other condition that may affect the power tool's operation. If damaged, have the power tool repaired before use.** Many accidents are caused by poorly maintained power tools.
  - f) **Keep cutting tools sharp and clean.** Properly maintained cutting tools with sharp cutting edges are less likely to bind and are easier to control.
  - g) **Use the power tool, accessories and tool bits etc. in accordance with these instructions, taking into account the working conditions and the work to be performed.** Use of the power tool for operations different from those intended could result in a hazardous situation.
  - h) **Keep handles and grasping surfaces dry, clean and free from oil and grease.** Slippery handles and grasping surfaces do not allow for safe handling and control of the tool in unexpected situations.
- 5) Service**
- a) **Have your power tool serviced by a qualified repair person using only identical replacement parts.** This will ensure that the safety of the power tool is maintained.

## Safety instructions.

**When performing drilling that requires the use of a fluid, route the fluid away from the operator's work area or use a collection system.** Such precautionary measures keep the operator's work area dry and reduce the risk of electrical shock.

**Operate the power tool by the insulated gripping surfaces, when performing an operation where the cutting accessory may contact hidden wiring or its own cord.** Contact of a cutting accessory with a "live" wire may make exposed metal parts of the power tool "live" and could give the operator an electric shock.

**Wear hearing protection when drilling.** Exposure to noise can cause hearing loss.

**When the application tool jams, stop applying pressure and switch the power tool off.** Check the cause of the jam and apply corrective action to eliminate the cause of the jamming application tool.

**When restarting a core drill jammed in the workpiece, check that the application tool rotates freely before starting.** If the application tool is jammed, it may not start, may overload the power tool, or may cause the core drill to release from the workpiece.

**When securing the drill stand with a vacuum plate to the workpiece, make sure that the surface is smooth, clean and non-porous. Do not secure the drill stand to laminated surfaces such as tiles and coated composite materials.** If the surface of the workpiece is not smooth, flat or well affixed, the vacuum plate may pull away from the workpiece.

**Ensure there is sufficient vacuum level before and during drilling.** If the vacuum level is insufficient, the vacuum plate may become detached from the workpiece.

**Never perform overhead and wall drilling when the machine is only fastened using the vacuum plate.** If the vacuum is lost, the vacuum plate will release from the workpiece.

**When drilling through walls or ceilings, ensure to protect persons and the work area on the other side.** The core bit may extend through the hole or the core may fall out on the other side.

**Do not use this tool for overhead drilling with fluid supply.** Fluids entering the power tool will increase the risk of electric shock.

### Special safety instructions.

**Have the protective cable bushing replaced immediately when damaged.** A defective protective cable bushing can lead to overheating of the machine.

**Wear protective equipment. Depending on the application, wear face shield or safety goggles. Wear hearing protection.** The safety glasses/goggles must be suitable to protect against the particles emitted from different operations. Continuous high exposure to noise can lead to loss of hearing.

**Do not touch the sharp edges of the core drill bit.** Danger of injury.

**To avoid injuries, check the core drill bits prior to starting the work. Use only undamaged core drill bits that are not deformed.** Damaged or deformed core drill bits can cause serious injury.

**Before putting into operation: Mount the chip guard to the machine.**

**⚠ Always secure the machine with the supplied safety strap.** Especially on inclined or uneven surfaces there is risk of unsecured machines tipping over.

**When working overhead, beware of falling objects, such as cores or chips.**

**When working overhead or on vertical surfaces, the coolant container must not be used.** Use Slugger Cutting Paste instead. Liquids penetrating your electric power tool may cause electric shock.

**Avoid touching the drilled core that is automatically ejected by the pilot pin when the working procedure is finished.** Contact with the core when it is hot, or if it falls, can cause personal injuries.

**Operate the power tool only from grounded contact sockets that comply with the specifications. Do not use any connection cables that are damaged; use extension cables with a grounded contact that are checked at regular intervals.** A ground conductor without continuity can cause an electric shock.

**To prevent injuries, always keep your hands, clothing, etc. away from rotating swarf.** The swarf can cause injuries. Always use the chipping protector.

**Do not attempt to remove the cutting tool if it still turns.** This can lead to serious injuries.

**Beware of any concealed electric cables, gas or water conduits.** Check the working area before commencing work, e. g. with a metal detector.

**Do not work materials containing magnesium.** Danger of fire.

**Do not work CFP (carbon-fiber-reinforced polymer) and materials containing asbestos.** These materials are considered carcinogenic.

**Do not rivet or screw any name-plates or signs onto the power tool.** If the insulation is damaged, protection against an electric shock will be ineffective.

**Do not overload the power tool or the storage case and do not use it as a ladder or stand.** Overloading or standing on the power tool or the storage case can lead to the upward shifting of the center of gravity of the power tool or the storage case, and its tipping over.

## Handling hazardous dusts.

**⚠ WARNING** When working with power tools, such as when grinding, sanding, polishing, sawing or for other work procedures where material is removed, dusts develop that are both hazardous to one's health and can spontaneously combust or be explosive.

Contact with or inhaling some dust types can trigger allergic reactions to the operator or bystanders and/or lead to respiratory infections, cancer, birth defects or other reproductive harm.

Examples of such materials which contain chemicals that can produce hazardous dusts, are:

- Asbestos and materials containing asbestos;
- Lead-containing coatings, some wood types such as beech and oak;
- Minerals and metal;
- Silicate particles from bricks, concrete and other materials containing stone;

**Do not use accessories which are not specifically designed and recommended by the power tool manufacturer.** Safe operation is not ensured merely because an accessory fits your power tool.

**Clean the ventilation openings on the power tool at regular intervals using non-metal tools.** The blower of the motor draws dust into the housing. An excessive accumulation of metallic dust can cause an electrical hazard.

**Before storage: Remove the application tool.**

**Store the power tool only in the case or packaging.**

**Before putting into operation, check the power connection and the power plug for damage.**

**Always operate the power tool with together with a PRCD personal protection switch (\*). Before beginning to work, always check the proper functioning of the PRCD personal protection switch (\*) (see page 19).**

- Solvent from solvent-containing paint/varnish;
- Arsenic, chromium and other wood preservatives;
- Materials for pesticide treatment on boat and ship hulls;
- Stainless steel dust, metal dust and non-ferrous metal dust;

To minimize the unwanted intake of these materials:

- Use dust extraction matched appropriately for the developing dust.
- Use personal protective equipment, such as a P2 filter-class dust protection mask.
- Provide for good ventilation of the workplace.

The risk from inhaling dusts depends on how often these materials are worked. Materials containing asbestos may only be worked on by specialists.



**CAUTION Wood and light-metal dust can cause spontaneous combustion or explosions.**

Hot mixtures of sanding dust and paint/varnish residuals or other chemical materials in the filter bag or the vac filter can self-ignite under unfavourable conditions, such as sparking from sanding metal, continuous sunlight or high ambient temperatures. To prevent this:

- Avoid overheating the material being sanded and the power tool.
- Empty the dust collector/container routinely.
- Observe the material manufacturer's working instructions.
- Observe the relevant regulations for the materials being worked.

## Emission values for sound (Two-figure – specifications as per ISO 4871)

### Sound emission

### JME SHORTSLUGGER II (\*\*)

A-weighted emission pressure power level measured at the workplace $L_{pA}$ (re 20 $\mu\text{Pa}$ ), in decibels	84.4
Measuring uncertainty $K_{pA}$ , in decibels	3
Measured A-weighted sound power level $L_{wA}$ (re 1 pW), in decibels	95.4
Measuring uncertainty $K_{wA}$ , in decibels	3
C-weighted peak sound pressure level measured at the workplace $L_{pCpeak}$ in decibels	97.4
Measuring uncertainty $K_{pCpeak}$ in decibels	3

### Vibrations

Mean vibrational value (core drilling)	
- ft/s <sup>2</sup>	3.0
- m/s <sup>2</sup>	0.9
Measuring uncertainty $K$ , in	
- ft/s <sup>2</sup>	4.9
- m/s <sup>2</sup>	1.5

REMARK: The sum of the measured emission value and respective measuring inaccuracy represents the upper limit of the values that can occur during measuring.



Wear hearing protection!

Measured values determined in accordance with the corresponding product standard.

## Extension cable.

**⚠ WARNING** If the use of an extension cord is required, its length and conductor cross-section must be adequate for the application in order to prevent a voltage drop in the extension cord, power loss and overheating of the power tool. Otherwise, the extension cable and power tool are prone to electrical danger, and the working efficiency is decreased.

**Recommended dimensions of extension cords at an operating voltage of 120 V – single-phase a. c., with only JME SHORTSLUGGER II connected:**

Max. cable length, ft			Max. cable length, m		
≤ 100	100 –200	200 –300	≤ 30	30 – 60	60 –100
Min. conductor size A.W.G.			Min. conductor- cross-section, mm <sup>2</sup>		
16	14	12	1.5	2.5	4

## Intended use of the power tool:

Magnetic core drill unit for drilling with core drill bits on materials with surfaces suitable for magnets in weather-protected environments using the application tools and accessories recommended by FEIN.





















## Operation of the power tool off power generators.












**!** This power tool is also suitable for use with AC generators with sufficient power output that correspond to the Standard ISO 8528, design type G2. This Standard is particularly not complied with when the so-called distortion factor exceeds 10 %. When in doubt, please refer to the generator instruction/specification guide.

**⚠ WARNING** Operating the power tool off power generators whose no-load speed exceeds the voltage value on the type plate of the power tool is prohibited.



## Symbols.

Symbol, character	Explanation
	Make sure to read the enclosed documents such as the Instruction Manual and the General Safety Instructions.
	Observe the instructions in the text or graphic opposite!
	Observe the instructions in the text or graphic opposite!
	Before commencing this working step, pull the power plug out of the socket. Otherwise there will be danger of injury if the power tool should start unintentionally.
	Use eye protection during operation.
	Use ear protection during operation.
	Do not touch the rotating parts of the power tool.
	Warning against sharp edges of application tools, such as the cutting edges of the cutter blades.
	Danger of slipping!
	Danger of crushes or contusions!
	Caution! Falling objects!
	Hot surface!
	Risk of tipping over!
	Fasten strap!
	Do not reach in!
	General prohibition sign. This action is prohibited.
	This symbol confirms the certification of this product for the USA and Canada.
	This sign warns of a directly imminent, dangerous situation. A false reaction can cause a severe or fatal injury.
	This sign indicates a possible dangerous situation that could cause severe or fatal injury.
	This sign warns of a possible dangerous situation that could cause injury.

Symbol, character	Explanation
	Worn out power tools and other electrotechnical and electrical products should be sorted separately for environmentally-friendly recycling.
	Steel
	Magnetic holding power, sufficient
	Magnetic holding power, insufficient
	Fluid supply open.
	Fluid supply closed.
	Start drill motor. Rotation direction: clockwise
	Stop motor
	The GFCI personal protection switch (*) is switched on, the indication light lights up red.
	The GFCI personal protection switch (*) is switched off, the indication light is off.
	Protective ground
~ or a. c.	Alternating current
1 ~	Alternating current, single-phase
(*)	Due to national health and safety regulations or to statutory regulations, the personal protection switch (GFCI) may be present in the country of placing on the market.
(**)	may contain numbers and letters
(Ax - Zx)	Marking for internal purposes

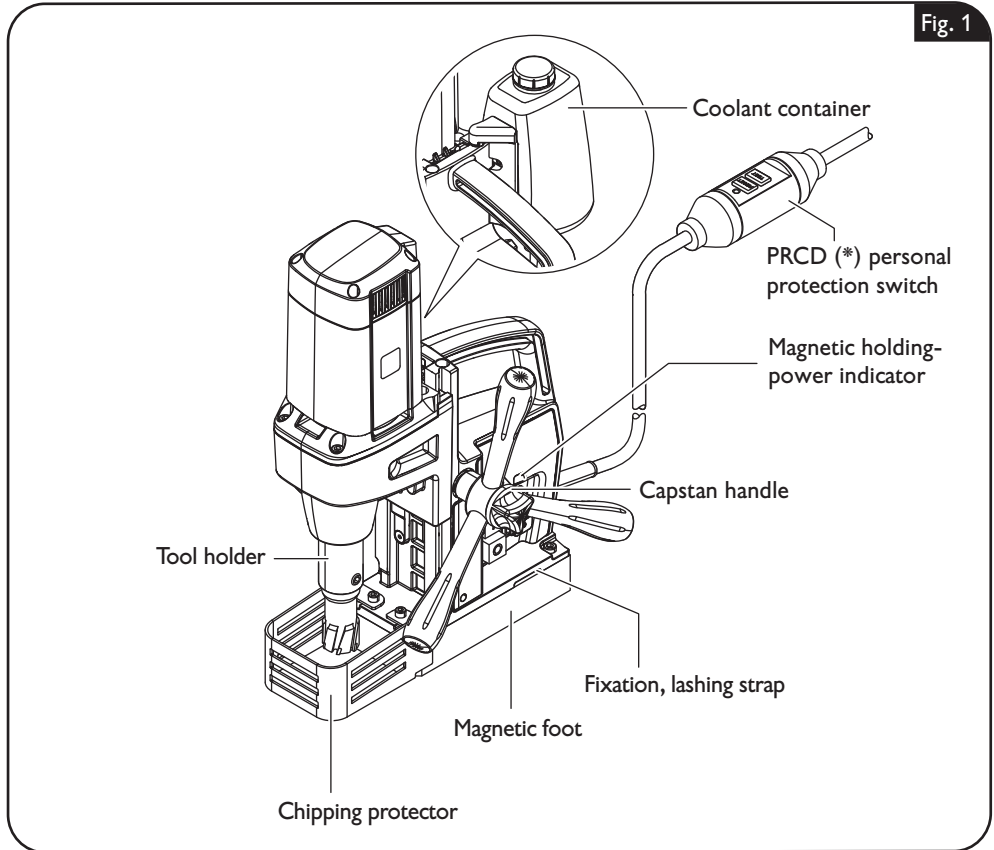
Character	Unit of measurement, national	Explanation
$n$	rpm; /min; $\text{min}^{-1}$ ; r/min	Rated speed
$P$	W	Electrical power
	°	Angle width
$U$	V	Electric voltage
$f$	Hz	Frequency
$I$	A	Electric current intensity
$m$	lbs	Mass
$l$	ft, in	Length, width, height, depth, diameter or thread
$\emptyset$	ft, in	Diameter of a round part
$K...$		Uncertainty
$a$	$\text{m/s}^2$	Vibrational emission value according to EN 62841 (vector sum of three directions)
	m, s, kg, A, mm, V, W, Hz, N, °C, dB, min, m/s <sup>2</sup>	Basic and derived units of measurement from the international system of units <b>SI</b> .

## Technical description and specifications.

**⚠ WARNING** Before mounting or replacing cutting tool or accessories, pull the power plug. This preventive safety measure rules out the danger of injuries through accidental starting of the power tool.



Not all accessories described or shown in this instruction manual will be included with your power tool.



Type	JME SHORTSLUGGER II (**)
Order number	7 270 ...
Current consumption	11 A
Operating mode	S3 50%, 40S <sup>A)</sup>
Voltage	120 V
Frequency	60 Hz
Rated speed	700 /min
Weight according to EPTA-Procedure 01	23.8 lbs 10.8 kg
Class of protection	I

A) In the S3 operating mode, the power tool may be subjected to a load of 11 A for 40 s. Afterwards, the drive motor must be switched off for 40 s. The solenoid may remain switched on during this process.

## Assembly instructions.

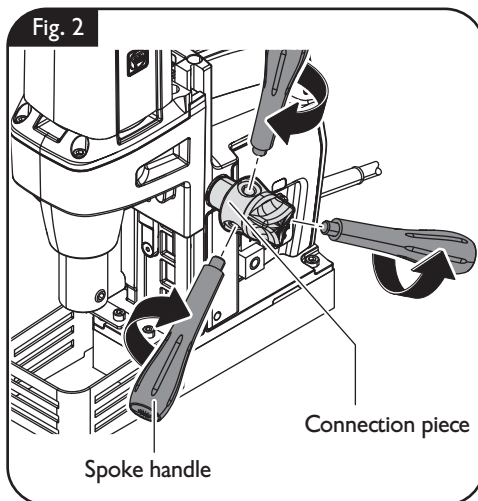
### ⚠ WARNING

**Before mounting or replacing cutting tool or accessories, pull the power plug.** This preventive safety measure rules out the danger of injuries through accidental starting of the power tool.



### Mounting the spoke handle (figure 2).

Screw the spoke handles into the intended threads on the connection piece.

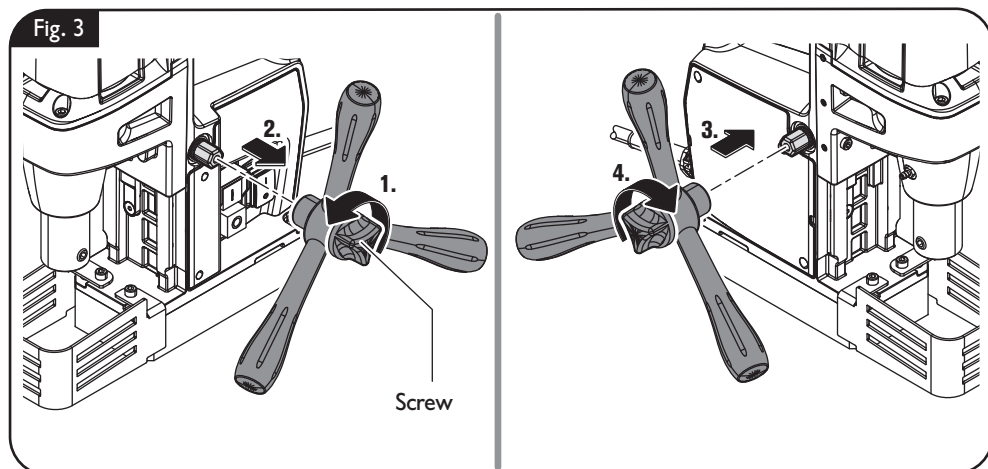


The hub assembly can be mounted on either side. (figure 3)

Loosen the screw.

Remove the spoke handle.

Mount the spoke handle on the other side and tighten the screw.



## Filling the coolant container.

**⚠ WARNING** Prevent the flow of liquid along the cable into the socket outlet or into the core drill unit, as this can lead to electric shock. Tie a bow in the cable near the plug, so that any liquid can drip off.

Do not use the magnetic core drill unit when the coolant-lubricant system is defective. **Each time before operating**, check for tightness against leaks and for cracks in the hoses. Prevent liquids from entering or penetrating electrical components.

### Filling the dismantled coolant container (figure 4)

Only use a coolant-lubricant emulsion (**oil in water**) as the cooling agent.

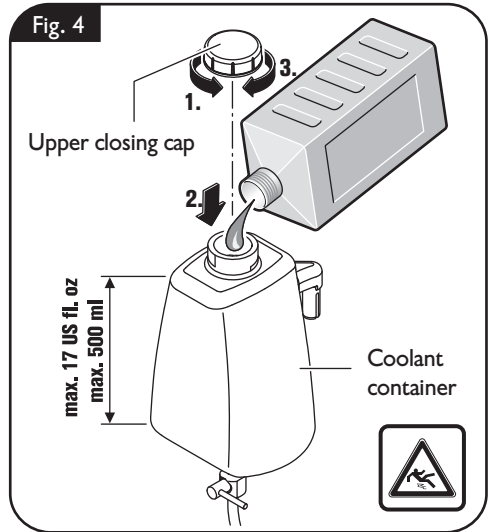
Observe the manufacturer's instructions on coolant.

Pull the empty coolant container out of the drill stand housing of the magnetic core drill. Unscrew the cap from the coolant container.

Fill in pump-feedable coolant lubricant, e.g. Fein cutting oil.

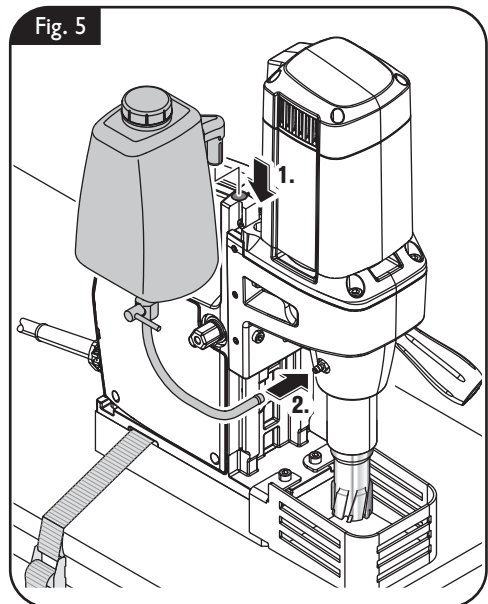
Screw the cap onto the coolant container again.

Insert the filled coolant container into the holder on the drill stand housing intended for this purpose.



### Mounting the coolant hose (figure 5).

Connect the coolant hose.



## Changing the tool.

**⚠ WARNING** When there is danger of falling down, secure the machine using the provided safety strap; especially when working aloft, on vertical building elements or overhead. In case of a power failure or when the mains plug is pulled, the magnetic holding power is not maintained.

**⚠ WARNING** Before mounting or replacing cutting tool or accessories, pull the power plug. This preventive safety measure rules out the danger of injuries through accidental starting of the power tool.



**Do not touch the sharp edges of the core drill bit.** Danger of injury.

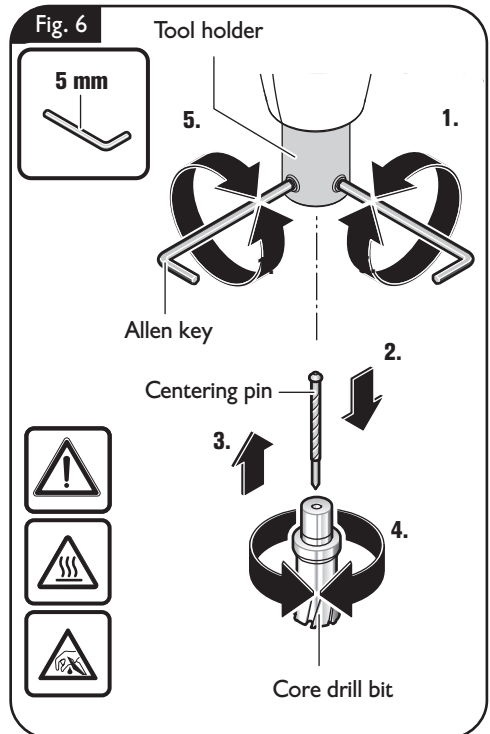
### Tool holder (figure 6)

Loosen both screws of the tool holder using the hex key.

Insert the pilot pin into the cutter.

Insert the cutter with the pilot pin into the tool holder.

Tighten both screws of the tool holder onto the flats on the cutting tool using the hex key.



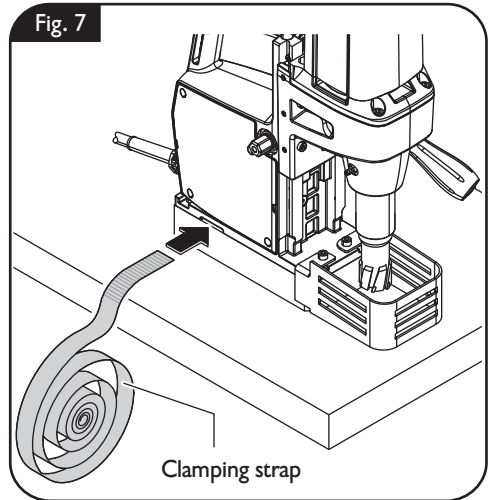


## Working instructions.

**⚠ WARNING** When there is danger of falling down, secure the machine using the provided safety strap; especially when working aloft, on vertical building elements or overhead. In case of a power failure or when the mains plug is pulled, the magnetic holding power is not maintained.

### Fastening the safety strap (figure 7).

Always fasten the machine securely around the workpiece using the provided safety strap.



## For switching the magnet ON (figure 8).

Pay attention that the set-up surface for the magnetic foot is flat, clean, rust-free and ice-free. Remove varnish, putty/filler layers and other materials. Prevent an air gap between the magnetic foot and the set-up surface. The air gap reduces the magnetic holding power.

Do not operate this machine on hot surfaces; it could lead to a permanent reduction of the magnetic holding power.

When working, always use the magnetic base; ensure that the magnetic holding power is sufficient.

- When the green magnetic holding-power indicator lights up permanently, the magnetic holding power is sufficient and the machine can be operated with **normal feed**.
- When the green magnetic holding-power indicator flashes, the magnetic holding power possibly is insufficient and the machine must be operated with **reduced feed**.

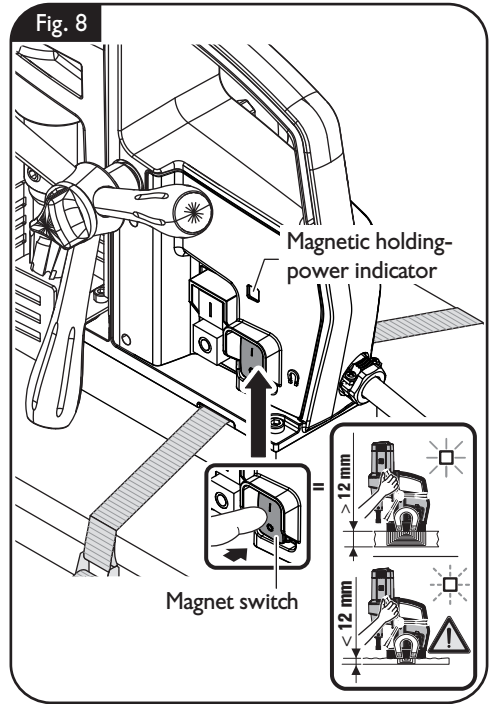
When working non-magnetic materials, suitable FEIN fastening devices, such as vacuum plates or pipe drilling devices, which are available as accessories, must be used. Observe the corresponding operating instructions for these.

When working on steel materials with a material thickness of less than 12 mm /  $\frac{1}{2}$  in, the workpiece must be reinforced with an additional steel plate in order to guarantee the magnetic holding power.

The magnetic foot is monitored by means of a power sensor. If no current flows through the magnet, the motor switches off.

Work only with the absolutely required amount of feed. Excessive feed can lead to breakage of the application tool and loss of the magnetic holding power.

When the power supply is disconnected while the motor is running, a protective circuit prevents automatic restarting of the motor. Restart the motor again.



## Activating and deactivating the coolant-lubricant flow (figure 9).



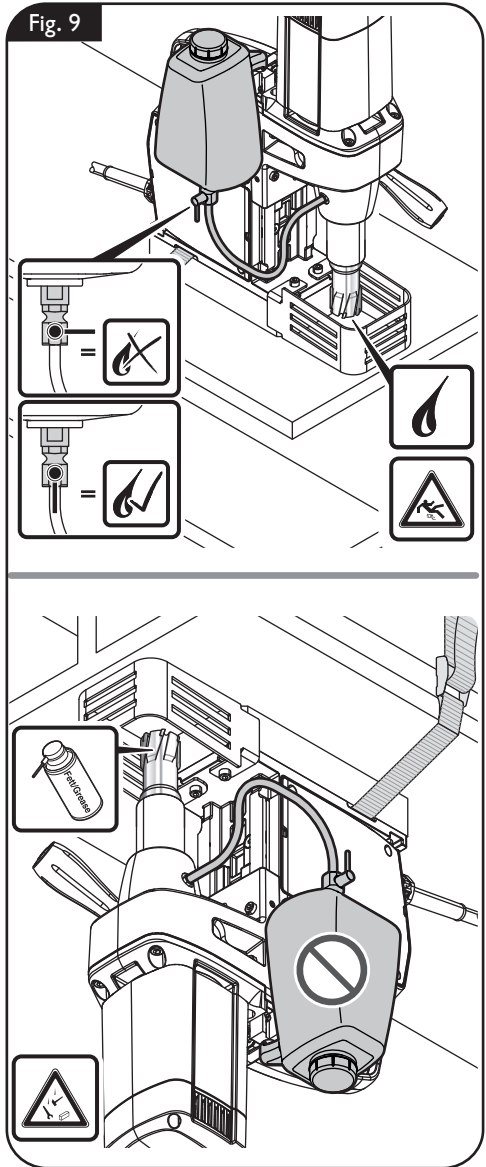
To activate the coolant-lubricant flow, turn the flow valve to the position shown.



To switch off or when working overhead, deactivate the coolant-lubricant flow. Turn the flow valve to the position shown.

For overhead work, use a coolant-lubricant spray from FEIN.

Fig. 9



## **GFCI personal protection switch (\*) (figure 10).**

The GFCI personal protection switch is specifically for your protection; therefore, do **not** misuse it as an On/Off switch.

If the GFCI personal protection switch is damaged, e.g. due to contact with water, do not use it any more.

The GFCI personal protection switch is indispensable; it is used for protection of the power tool operator against electric shock. Under fault-free operation, the control lamp of the GFCI personal protection switch lights up red.

Check the operability of the GFCI personal protection switch before beginning to work:

1. Connect the plug of the GFCI personal protection switch with the mains socket outlet.
2. Press the RESET-button. The indication light on the GFCI personal protection switch lights up red.
3. Disconnect the plug from the socket outlet. The red indication light goes out.
4. Repeat steps 1. and 2.
5. Press the TEST-button; the red indication light goes out. If the red indication light does not go out, do not run the machine. In this case, contact the customer service.
6. Press the RESET-button; when the indication light lights up red, the machine can now be switched on.

**Do not use the GFCI personal protection switch for switching the power tool on and off.**

## **Tilt sensor.**

If the magnetic core drill unit slips or tilts, a gyro sensor stops the machine.

Fig. 10



## Switching on and off (figure 11).

### Switching on:

Switch the motor switch ON.

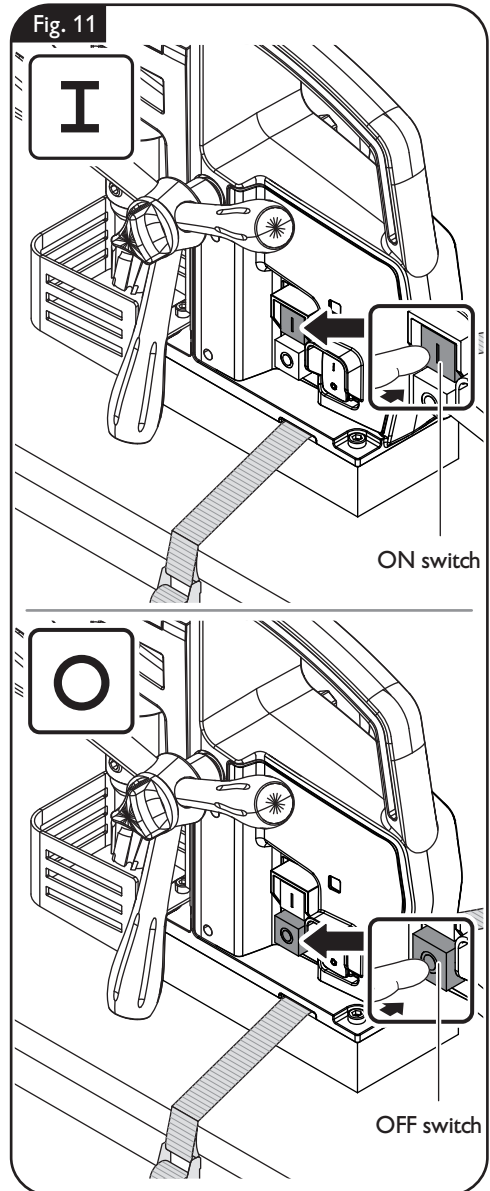
### Switching off:

Switch the motor switch OFF.

### Shutting magnet OFF:

Switch off the magnet with the magnet power switch.

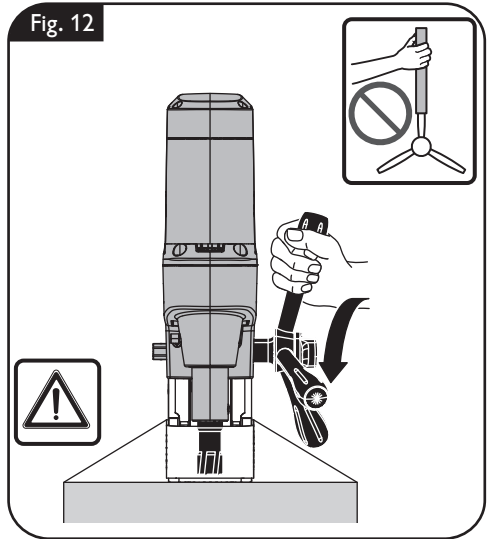
The **restarting protection** prevents the power tool from automatically restarting if the power supply is interrupted during operation. In this case, switch off the power tool, check the power supply and then switch the power tool on again.



## Feed (figure 12).

Work only with the absolutely required amount of feed. Excessive feed can lead to breakage of the application tool and loss of the magnetic holding power.

To generate feed, turn the spoke handle manually while the drill motor is switched on.




## Instructions for core drilling.


Do not stop the drill motor during the drilling procedure.

Only remove the cutting tool from the hole while the motor is running.

If the carbide tipped cutter should remain stuck in the material, stop the drill motor and carefully turn the carbide tipped cutter out counterclockwise.

After each drilling operation, remove the chips and the slug.

 Do not touch the chips with your bare hand. Always use a chip hook.

 Danger of burns! The surface of the magnet can reach high temperatures. Do not touch the magnet with your bare hands.

When changing a cutting tool, pay attention not to damage the cutting edges.

When core drilling layered material, remove the core and the chips after having drilled through each layer.

Error message/ Response of magnet button	Meaning	Corrective action
Indicator lights up green	Magnetic holding power is sufficient.	
Indicator flashes green	Magnetic holding power possibly insufficient.	Even when working on steel materials where the material thickness is below 12 mm, the workpiece must be made thicker with an additional steel plate in order to ensure the magnetic holding power.
Indicator lights up red for 1 second	– Motion sensor has actuated – Overload shut-off has actuated – Incorrect mains voltage	After malfunction correction, the power tool can be switched on again.
	– <b>Magnet</b> key actuated by mistake	
Indicator flashes red 3 x	No speed signal	If the error occurs frequently, send the machine to your FEIN customer service agent.
Indicator lights up red continuously	– Incorrect mains voltage/mains frequency – Drill stand is overheated – Button is blocked when switching on	After malfunction correction, the power tool can be switched on again. If the error occurs frequently, send the machine to your FEIN customer service agent.
Indicator flashes red continuously	Power tool is defective.	Send the machine to your FEIN customer service agent.

## Repair and customer service.

**⚠ WARNING** Before mounting or replacing cutting tool or accessories, pull the power plug. This preventive safety measure rules out the danger of injuries through accidental starting of the power tool.

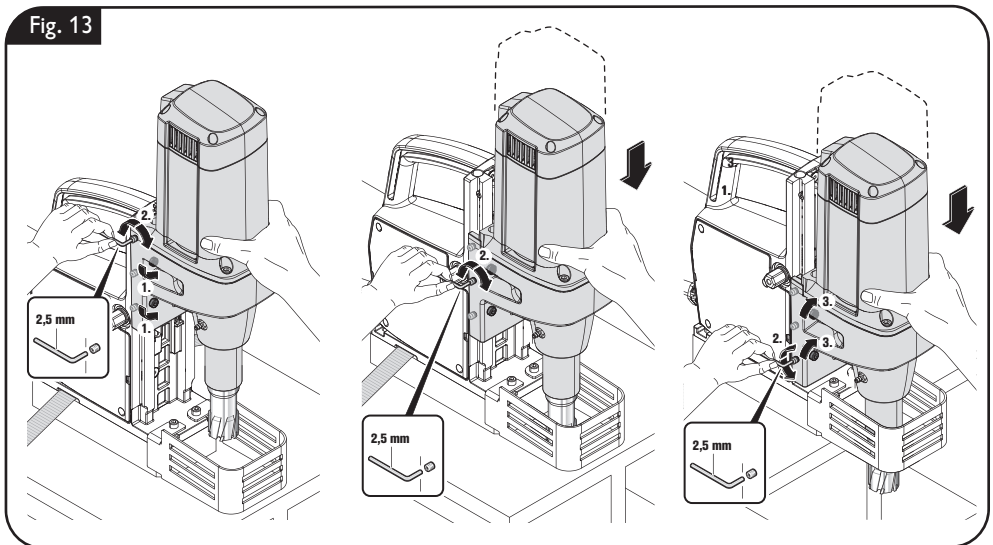
### Exchangeable parts

If required, you can change the following parts yourself:

Application tools, coolant container, holding fixture of coolant container, swarf protector

### Drill-motor guide (figure 13).

After several hours of operation, the play in the drill-motor guide can increase. As a consequence, the drill motor can glide alongside the drill-motor guide by itself. Malfunctions are possible in machine operation. In this case, retighten all fastening screws of the drill-motor guide correspondingly so that the drill motor can easily be moved manually, yet does not glide by itself.





## Service.

**⚠ WARNING** Have maintenance carried out only through qualified personnel. Incorrectly mounted leads and components can cause serious injuries.

Have the required service carried out only through a FEIN customer service agent.

When the machine's power supply cord is damaged, it must be replaced by the manufacturer or their representative.

Products that have come into contact with asbestos may not be sent in for repair. Dispose of products contaminated with asbestos according to the applicable country-specific regulations for such disposal.

The current spare parts list for this power tool can be found in the Internet at [www.fein.com](http://www.fein.com).

Use only original spare parts.

## Cleaning.

**⚠ WARNING** Prior to any cleaning or maintenance, disconnect the power tool from the power supply in order to avoid accidents.

**⚠ WARNING** When using in environments with conductive dust in the air, such as when working metals, this dust can settle in the interior of the power tool. Therefore, regularly blow out the interior of the power tool from outside via the ventilation openings with dry, oil-free compressed air; always wear eye protection when doing this.

**⚠ CAUTION** Do not attempt to clean clogged or dirty ventilation openings of the power tool with pointed metal objects; use nonmetal tools or objects if necessary.

**⚠ CAUTION** Do not use cleaning agents and solvents that can cause damage to plastic parts. These include: Gasoline, carbon tetrachloride, chloric solvents, ammonia and domestic cleaning agents that contain ammonia.

Renew stickers and warning indications on the power tool when aged and worn.

### Coolant-lubricant system.

Flush the coolant-lubricant system with water, clean and drain it completely when not using the machine for periods longer than two weeks.

## Warranty and liability.

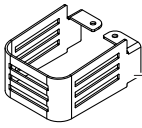
The warranty for the product is valid in accordance with the legal regulations in the country where it is marketed.

## Environmental protection, disposal.

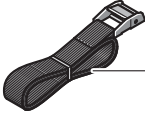
Sort scrapped power tools and accessories for environmental-friendly recycling. For further information, please contact your specialist shop.

## Provided accessories (figure 14).

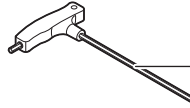
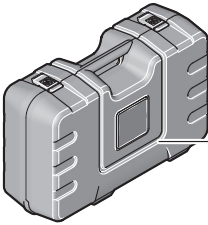
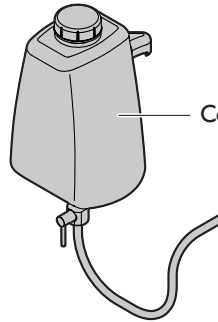
Fig. 14



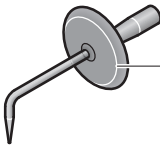
Chipping protector

Centering pin 1 x 80 mm  
Centering pin 1 x 100 mm  
Centering pin thin 1 x 100 mm

Clamping strap

Allen key  
5 mmPower tool  
carrying case

Coolant container




Chip hook

## Pour votre sécurité.

### AVERTISSEMENT

**Lire tous les avertissements de sécurité, les instructions, les illustrations et les spécifications fournis avec cet outil électrique.** Ne pas suivre les instructions énumérées ci-dessous peut provoquer un choc électrique, un incendie et/ou une blessure sérieuse.

**Conserver tous les avertissements et toutes les instructions pour pouvoir s'y reporter ultérieurement.**

 Ne pas utiliser cet outil électrique avant d'avoir soigneusement lu et parfaitement compris cette notice d'utilisation y compris les figures, les spécifications, les consignes de sécurité ainsi que les indications marquées par DANGER, AVERTISSEMENT et ATTENTION.

N'utiliser cet outil électrique que pour les travaux pour lesquels il a été conçu par FEIN. N'utiliser que des outils de travail et accessoires autorisés par FEIN.

De même, respecter les dispositions concernant la prévention des accidents du travail en vigueur dans le pays en question.

Le non-respect des instructions de sécurité se trouvant dans la documentation mentionnée peut entraîner un choc électrique, un incendie et / ou de graves blessures.

Bien garder cette notice d'utilisation en vue d'une utilisation ultérieure ; elle doit être jointe à l'appareil en cas de transmission ou de vente à une tierce personne.

**GARDER SOIGNEUSEMENT CES INSTRUCTIONS DE SECURITE.**

Le terme « outil électrique » dans les consignes de sécurité fait référence à votre outil électrique alimenté par le secteur (avec cordon d'alimentation) ou votre outil fonctionnant sur batterie (sans cordon d'alimentation).

## Instructions générales de sécurité.

### 1) Sécurité de la zone de travail

- a) **Maintenir la zone de travail propre et bien éclairée.** Les zones en désordre ou sombres sont propices aux accidents.

b) **Ne pas faire fonctionner les outils électriques en atmosphère explosive, par exemple en présence de liquides inflammables, de gaz ou de poussières.** Les outils électriques produisent des étincelles qui peuvent enflammer les poussières ou les fumées.

c) **Maintenir les enfants et les personnes présentes à l'écart pendant l'utilisation de l'outil électrique.** Les distractions peuvent vous faire perdre le contrôle de l'outil.

### 2) Sécurité électrique

a) **Il faut que les fiches de l'outil électrique soient adaptées au socle. Ne jamais modifier la fiche de quelque façon que ce soit. Ne pas utiliser d'adaptateurs avec des outils électriques à branchement de terre.** Des fiches non modifiées et des socles adaptés réduisent le risque de choc électrique.

b) **Éviter tout contact du corps avec des surfaces reliées à la terre telles que les tuyaux, les radiateurs, les cuisinières et les réfrigérateurs.** Il existe un risque accru de choc électrique si votre corps est relié à la terre.

c) **Ne pas exposer les outils électriques à la pluie ou à des conditions humides.** La pénétration d'eau à l'intérieur d'un outil électrique augmente le risque de choc électrique.

d) **Veiller à ne pas endommager le cordon. Ne jamais utiliser le cordon pour porter, tirer ou débrancher l'outil électrique. Maintenir le cordon à l'écart de la chaleur, du lubrifiant, des arêtes vives ou des parties en mouvement.** Des cordons endommagés ou emmêlés augmentent le risque de choc électrique.

e) **Lorsqu'on utilise un outil électrique à l'extérieur, utiliser un prolongateur adapté à l'utilisation extérieure.** L'utilisation d'un cordon adapté à l'utilisation extérieure réduit le risque de choc électrique.

**f) Si l'usage d'un outil électrique dans un emplacement humide est inévitable, utiliser une alimentation protégée par un dispositif à courant différentiel résiduel (RCD).** L'usage d'un RCD réduit le risque de choc électrique.

### 3) Sécurité des personnes

**a) Rester vigilant, regarder ce que vous êtes en train de faire et faire preuve de bon sens dans votre utilisation de l'outil électrique. Ne pas utiliser un outil électrique lorsque vous êtes fatigué ou sous l'emprise de drogues, de l'alcool ou de médicaments.** Un moment d'inattention en cours d'utilisation d'un outil électrique peut entraîner des blessures graves.

**b) Utiliser un équipement de protection individuelle. Toujours porter une protection pour les yeux.** Les équipements de protection individuelle tels que les masques contre les poussières, les chaussures de sécurité antidérapantes, les casques ou les protections auditives utilisés pour les conditions appropriées réduisent les blessures.

**c) Éviter tout démarrage intempestif. S'assurer que l'interrupteur est en position arrêt avant de brancher l'outil au secteur et/ou au bloc de batteries, de le ramasser ou de le porter.** Porter les outils électriques en ayant le doigt sur l'interrupteur ou brancher des outils électriques dont l'interrupteur est en position marche est source d'accidents.

**d) Retirer toute clé de réglage avant de mettre l'outil électrique en marche.** Une clé laissée fixée sur une partie tournante de l'outil électrique peut donner lieu à des blessures.

**e) Ne pas se précipiter. Garder une position et un équilibre adaptés à tout moment.** Cela permet un meilleur contrôle de l'outil électrique dans des situations inattendues.

**f) S'habiller de manière adaptée. Ne pas porter de vêtements amples ou de bijoux. Garder les cheveux et les vêtements à distance des parties en mouvement.** Des vêtements amples, des bijoux ou les cheveux longs peuvent être pris dans des parties en mouvement.

**g) Si des dispositifs sont fournis pour le raccordement d'équipements pour l'extraction et la récupération des poussières, s'assurer qu'ils sont connectés et correctement utilisés.** Utiliser des collecteurs de poussière peut réduire les risques dus aux poussières.

**h) Rester vigilant et ne pas négliger les principes de sécurité de l'outil sous prétexte que vous avez l'habitude de l'utiliser.** Une fraction de seconde d'inattention peut provoquer une blessure grave.

### 4) Utilisation et entretien de l'outil électrique

**a) Ne pas forcer l'outil électrique. Utiliser l'outil électrique adapté à votre application.** L'outil électrique adapté réalise mieux le travail et de manière plus sûre au régime pour lequel il a été construit.

**b) Ne pas utiliser l'outil électrique si l'interrupteur ne permet pas de passer de l'état de marche à arrêt et inversement.** Tout outil électrique qui ne peut pas être commandé par l'interrupteur est dangereux et il faut le réparer.

**c) Débrancher la fiche de la source d'alimentation et/ou enlever le bloc de batteries, s'il est amovible, avant tout réglage, changement d'accessoires ou avant de ranger l'outil électrique.** De telles mesures de sécurité préventives réduisent le risque de démarrage accidentel de l'outil électrique.

**d) Conserver les outils électriques à l'arrêt hors de la portée des enfants et ne pas permettre à des personnes ne connaissant pas l'outil électrique ou les présentes instructions de le faire fonctionner.** Les outils électriques sont dangereux entre les mains d'utilisateurs novices.

e) **Observer la maintenance des outils électriques et des accessoires. Vérifier qu'il n'y a pas de mauvais alignement ou de blocage des parties mobiles, des pièces cassées ou toute autre condition pouvant affecter le fonctionnement de l'outil électrique. En cas de dommages, faire réparer l'outil électrique avant de l'utiliser.** De nombreux accidents sont dus à des outils électriques mal entretenus.

f) **Garder affûtés et propres les outils permettant de couper.** Des outils destinés à couper correctement entretenus avec des pièces coupantes tranchantes sont moins susceptibles de bloquer et sont plus faciles à contrôler.

g) **Utiliser l'outil électrique, les accessoires et les lames etc., conformément à ces instructions, en tenant compte des conditions de travail et du travail à réaliser.** L'utilisation de l'outil électrique pour des opérations différentes de celles prévues peut donner lieu à des situations dangereuses.

h) **Il faut que les poignées et les surfaces de préhension restent sèches, propres et dépourvues d'huiles et de graisses.** Des poignées et des surfaces de préhension glissantes rendent impossibles la manipulation et le contrôle en toute sécurité de l'outil dans les situations inattendues.

## 5) Maintenance et entretien

a) **Faire entretenir l'outil électrique par un réparateur qualifié utilisant uniquement des pièces de rechange identiques.** Cela assure le maintien de la sécurité de l'outil électrique.

## Consignes de sécurité

**Lorsque vous effectuez des opérations de perçage qui nécessitent l'utilisation d'un fluide, maintenez le fluide éloigné de la zone de travail ou utilisez un dispositif collecteur de fluide.** De telles précautions permettent de garder sèche la zone de travail et de réduire les risques d'électrocution.

**Lors de l'exécution de travaux pendant lesquels l'outil de coupe pourrait entrer en contact avec des conducteurs cachés ou avec son propre câble d'alimentation, n'utilisez l'outil électrique qu'en le tenant par les poignées isolées.** Lorsqu'un outil coupant entre en contact avec un fil sous tension, une mise sous tension des pièces métalliques de l'outil électrique peut survenir et provoquer un choc électrique.

**Porter une protection acoustique lors du perçage.** Une forte exposition au bruit peut provoquer une perte d'audition.

**Au cas où l'outil électrique se bloque, ne plus exercer d'avance et éteindre l'outil électrique.** Contrôler la raison du blocage et éliminer la cause provoquant le coincement d'accessoires.

**Si vous voulez redémarrer une unité de perçage qui se trouve dans une pièce à travailler, vérifier avant de la mettre en marche si l'accessoire peut tourner librement.** Un accessoire coincé ne tournera probablement pas : ceci surchargera la machine ou provoquera le détachement de l'unité de perçage de la pièce à travailler.

**Lors de la fixation du montant de carottage sur la pièce à travailler au moyen d'une plaque aspirante, veiller à ce que la surface soit lisse, propre et non poreuse. Ne pas attacher le montant de carottage sur des surfaces laminées telles que par ex. carreaux et revêtements de matériaux composites.** Si la surface de la pièce à travailler n'est pas lisse, plane ou suffisamment fixée, la plaque à vide peut se détacher de la pièce à travailler.

**S'assurer avant et lors de l'opération de perçage que la force de retenue est suffisante.** Si la force de retenue n'est pas suffisante, la plaque aspirante pourrait se détacher de la pièce à travailler.

**Ne jamais effectuer des perçages par-dessus la tête ou des perçages vers un mur si la machine n'est attachée que par la plaque aspirante.** Dans le cas de perte du vide, la plaque aspirante se détache de la pièce à travailler.

**Lors d'opérations de perçage à travers un mur ou un plafond, veiller à ce que les personnes et la zone de travail se trouvant de l'autre côté du perçage soient protégés.** La couronne peut dépasser le trou et la carotte peut tomber de l'autre côté.

**Ne pas utiliser cet outil pour un perçage par-dessus la tête avec alimentation en liquide.** La pénétration de liquide dans l'outil électrique augmente le risque de choc électrique.

### **Instructions particulières de sécurité.**

**En cas d'endommagement, faites remplacer immédiatement la gaine de protection du câble.** Une gaine de protection de câble défectueuse peut provoquer une surchauffe de l'outil.

**Toujours porter un équipement de protection. En fonction de l'application, porter un écran facial ou des lunettes de sécurité. Utiliser une protection auditive.** Les lunettes de sécurité doivent pouvoir protéger les yeux contre les particules projetées lors de toutes sortes de travaux. Une exposition permanente au bruit intense peut provoquer une perte de l'audition.

**Ne pas toucher les bords aigus de la fraise à carotter.** Danger de blessure.

**Pour éviter des blessures, contrôler les fraises à carotter avant tout travail. N'utiliser que des fraises à carotter en parfait état qui ne sont pas déformées.** Les fraises à carotter endommagées ou déformées peuvent entraîner des blessures graves.

**Avant la première mise en service : Monter le protège-mains sur la machine.**

**!** **Bloquer la machine à l'aide de la sangle de serrage.** Il y a danger de basculement pour les machines non bloquées, en particulier sur des surfaces inclinées ou irrégulières.

**Lors des travaux effectués au-dessus de la tête, veiller à toujours se protéger contre les objets tombants tels que carottes et copeaux.**

**Effectuer les travaux sur les éléments de construction verticaux ou au-dessus de la tête sans utiliser le réservoir du liquide de refroidissement.** Utilisez un spray refroidissant. Les liquides qui entreraient dans l'outil électrique peuvent causer un choc électrique.

**Éviter de toucher la carotte qui est automatiquement éjectée par l'éjecteur quand le travail est terminé.** Le contact avec la carotte brûlante ou qui tombe peut entraîner des blessures.

**N'utilisez l'outil électrique qu'avec des prises de courant de sécurité conformes à la législation. N'utilisez que des câbles de raccordement en parfait état et des rallonges régulièrement contrôlées.** Un conducteur de protection discontinu peut entraîner un choc électrique.

**Maintenir vos mains, vêtements etc. toujours loin des copeaux en rotation pour éviter de vous blesser.** Les copeaux peuvent causer des blessures. Utilisez toujours le pare-copeaux.

**N'essayez pas d'enlever l'outil de travail tant qu'il est en rotation.** Ceci peut causer de graves blessures.

**Faire attention aux câbles électriques, conduites de gaz et d'eau éventuellement cachés.** Avant de commencer le travail, contrôler la zone de travail à l'aide d'un détecteur de métaux par exemple.

**Ne pas travailler de matériaux contenant du magnésium.** Il y a un risque d'incendie.

**Ne pas travailler du PRFC (plastique à renfort fibre de carbone) et pas de matériaux contenant de l'amiante.** Ils sont considérés cancérogènes.

**Il est interdit de visser ou de riveter des plaques ou des repères sur l'outil électrique.**

Une isolation endommagée ne présente aucune protection contre une électrocution.

**Ne pas surcharger l'outil électrique ou le coffret de rangement et ne pas l'utiliser en tant qu'échelle ou échafaudage.** Surcharger ou se placer sur l'outil électrique ou le coffret de rangement peut causer le déplacement du centre de gravité de l'outil électrique ou du coffret de rangement vers le haut provoquant ainsi le renversement de ce dernier.

**Ne pas utiliser des accessoires qui n'ont pas été spécialement conçus ou autorisés par le fabricant de l'outil électrique.** Le seul fait qu'un accessoire puisse être monté sur votre outil électrique ne garantit pas une utilisation sans risque.

**Nettoyer régulièrement les ouïes de ventilation de l'outil électrique avec des outils non-métalliques.** La ventilation du moteur aspire la poussière à l'intérieur du carter. Une trop grande quantité de poussière de métal accumulée peut provoquer des incidents électriques.

## Maniement de poussières nocives.

**⚠ AVERTISSEMENT** **Lors du travail avec des outils, par ex. lors du ponçage, polissage, sciage ou d'autres opérations enlevant du matériau, des poussières sont générées qui peuvent être nocives pour la santé, auto-inflammables ou explosives.**

Toucher ou aspirer certaines poussières peut causer des réactions allergiques et/ou des maladies respiratoires, un cancer, des malformations à la naissance ou autres anomalies de reproduction auprès de l'utilisateur ou de personnes se trouvant à proximité.

Quelques exemples de tels matériaux et de produits chimiques qu'ils contiennent dont l'usinage génère des poussières nocives :

- l'amiante et les matériaux contenant de l'amiante ;
- peintures contenant du plomb, certains bois tels que le bois de chêne et de hêtre ;
- minéraux et métal ;
- les particules de silicate contenues dans les briques, le béton et autres matériaux contenant de la roche ;
- les solvants contenus dans les vernis et peintures ;
- l'arsenic, le chrome et d'autres lasures ;
- produits pour la lutte contre les vermines sur la coque de bateaux et de bâtiments ;
- poussières d'aciers fins, poussières de métaux et poussières de métaux non-ferreux.

**Avant le stockage : Retirez l'outil de travail. Stockez l'outil électrique uniquement dans son coffret ou son emballage.**

**Avant la mise en service, s'assurer que le câble de raccordement et la fiche sont en parfait état.**

**Toujours utiliser l'outil électrique avec un disjoncteur différentiel (\*) PRCD.**

**Avant de commencer les travaux, contrôler le bon fonctionnement du disjoncteur différentiel (\*) PRCD (voir page 43).**

Pour minimiser la résorption indésirable de ces matériaux :

- Utiliser une aspiration adaptée à la poussière générée.
- Utiliser des équipements personnels de protection tels que par exemple un masque anti-poussière de la classe filtre P2.
- Veiller à bien aérer la zone de travail.

Le risque causé par le fait d'aspirer des poussières dans les poumons dépend de la fréquence à laquelle ces matériaux sont travaillés. Les matériaux contenant de l'amiante ne doivent être travaillés que par des personnes qualifiées.

**⚠ ATTENTION** **Les poussières de bois et les poussières de métaux légers peuvent causer une auto-inflammation ou une explosion.**

Des mélanges chauds de poussières de ponçage contenant des résidus de vernis, de polyuréthane ou de produits chimiques dans le sac à poussières ou dans le filtre de l'aspirateur peuvent s'enflammer dans certaines conditions telles que projection d'étincelles lors du ponçage de métaux, rayonnement solaire direct permanent ou température ambiante élevée. Pour prévenir ces conditions :

- Évitez la surchauffe des matériaux travaillés et de l'outil électrique.
- Videz à temps le bac de récupération des poussières.
- Respectez les indications de travail du fabricant du matériau.
- Respectez les règlements en vigueur aux matériaux à traiter.

## Valeurs d'émission du niveau sonore (Indication à deux chiffres conformément à la norme ISO 4871)

### Émission acoustique


### JME SHORTSLUGGER II (\*\*)

Mesure réelle (A) du niveau de pression acoustique sur le lieu de travail $L_{pA}$ (re 20 $\mu$ Pa), en décibel	84.4
Incertitude $K_{pA}$ , en décibel	3
Mesure réelle (A) du niveau d'intensité acoustique pondéré $L_{wA}$ (re 1 pW), en décibel	95.4
Incertitude $K_{wA}$ , en décibel	3
Mesure réelle (C) du niveau max. de pression acoustique sur le lieu de travail $L_{pCpeak}$ en décibel	97.4
Incertitude $K_{pCpeak}$ en décibel	3

### Vibration

valeur de vibration moyenne (carottage)	
- $ft/s^2$	3.0
- $m/s^2$	0.9
Incertitude $K$ , en	
- $ft/s^2$	4.9
- $m/s^2$	1.5

REMARQUE : La somme de la valeur d'émission mesurée et de l'incertitude constitue la limite supérieure des valeurs qui peuvent apparaître pendant la prise de mesures.

 Porter une protection acoustique !

Valeurs de mesure mesurées conformément à la norme correspondante du produit.

## Câble de rallonge.

### AVERTISSEMENT Au cas où une rallonge serait nécessaire, la

longueur ainsi que la section du conducteur de celle-ci doivent être appropriées à l'utilisation afin d'éviter une baisse de tension dans la rallonge, une perte de puissance et une surchauffe de l'outil électrique. Sinon la rallonge et l'outil électrique présentent des dangers électriques et l'efficacité du travail est entravée.

Dimensions recommandées pour câbles de rallonge pour une tension de service de 120 V courant alternatif monophasé si seulement JME SHORTSLUGGER II est connecté :

Longueur du câble en pieds			Longueur du câble en m		
≤ 100	100 -200	200 -300	≤ 30	30 - 60	60 -100
Dimension min. du conducteur en format américain (A.W.G.)			Section min. du conducteur, mm <sup>2</sup>		
16	14	12	1,5	2,5	4



## Conception de l'outil électrique :

---




















unité de perçage de matériaux à surface magnétique au moyen de fraises à carotter dans un environnement à l'abri des intempéries avec les outils de travail et les accessoires autorisés par FEIN.

### Fonctionnement de l'outil électrique avec des groupes électrogènes.

**!** Cet outil électrique est également conçu pour fonctionner sur des groupes électrogènes d'une puissance suffisante correspondant à la norme ISO 8528, classe de modèle G2. Cette norme n'est pas respectée si le facteur de distorsion harmonique dépasse 10 %. En cas de doute, s'informer sur le groupe électrogène utilisé.

**⚠ AVERTISSEMENT** Il est interdit de faire fonctionner l'outil électrique sur des générateurs de courant dont la tension à vide dépasse la valeur de tension indiquée sur la plaque signalétique de l'outil électrique.

## Symboles.

Symbole, signe	Explication
	Lire impérativement les documents ci-joints tels que la notice d'utilisation et les instructions générales de sécurité.
	Suivre les indications données dans le texte ou la représentation graphique ci-contre !
	Suivre les indications données dans le texte ou la représentation graphique ci-contre !
	Avant d'effectuer ce travail, retirer la fiche de la prise de courant. Sinon, il y a risque de blessures dû à un démarrage non intentionné de l'outil électrique.
	Lors des travaux, porter une protection oculaire.
	Lors des travaux, porter une protection acoustique.
	Ne pas toucher les éléments en rotation de l'outil électrique.
	Attention aux bords tranchants des outils de travail tels que les lames de couteaux.
	Danger de glisser !
	Danger d'écrasement !
	Attention aux objets qui pourraient tomber !
	Surface chaude !
	Risque de basculement !
	Attacher la ceinture !
	Ne pas mettre les mains dedans !
	Signal général d'interdiction. Cette action est interdite !
	Ce symbole confirme la certification de ce produit aux États-Unis et au Canada.
	Cette indication met en garde contre une situation dangereuse imminente. Une mauvaise manipulation peut entraîner de graves blessures ou la mort.
	Cette indication indique une situation éventuellement dangereuse pouvant entraîner de graves blessures ou la mort.

Symbole, signe	Explication
 <b>ATTENTION</b>	Cette indication met en garde contre une situation potentiellement dangereuse qui peut entraîner des blessures.
	Trier les outils électriques ainsi que tout autre produit électrotechnique et électrique et les déposer à un centre de recyclage respectant les directives relatives à la protection de l'environnement.
	Acier
	Force magnétique suffisante
	Force magnétique insuffisante
	Alimentation en liquide ouverte.
	Alimentation en liquide fermée.
	Démarrer le moteur de carottage. Sens de rotation vers la droite
	Arrêter le moteur
	Le disjoncteur différentiel (*) PRCD est allumé, le témoin de contrôle est allumé en rouge.
	Le disjoncteur différentiel (*) PRCD est éteint, le témoin de contrôle n'est pas allumé.
	Mise à la terre
~ ou a. c.	Courant alternatif
1 ~	Courant alternatif, monophasé
(*)	Le disjoncteur différentiel (PRCD) peut être déjà présent sur l'installation électrique selon les dispositions relatives à la protection des travailleurs ou aux dispositions légales dans les pays de mise sur le marché.
(**)	peut contenir des chiffres ou des lettres
(Ax - Zx)	Marquage interne

<b>Signe</b>	<b>Unité nationale</b>	<b>Explication</b>
<i>n</i>	rpm; /min; min <sup>-1</sup> ; r/min	Vitesse de référence
<i>P</i>	W	Unité de mesure pour la puissance électrique
	°	Unité de mesure pour la largeur d'angle
<i>U</i>	V	Unité de mesure pour la tension électrique
<i>f</i>	Hz	Unité de mesure pour la fréquence
<i>I</i>	A	Unité de mesure pour l'intensité du courant électrique
<i>m</i>	lbs	Unité de mesure pour la masse
<i>l</i>	ft, in	Unité de mesure pour longueur, largeur, hauteur, profondeur, diamètre ou filetage
∅	ft, in	Diamètre d'un élément
<i>K...</i>		Incertitude
<i>a</i>	m/s <sup>2</sup>	Valeur d'émission vibratoire selon EN 62841 (somme vectorielle des trois directions)
	m, s, kg, A, mm, V, W, Hz, N, °C, dB, min, m/s <sup>2</sup>	Unités de base et unités dérivées du système international <b>SI</b> .

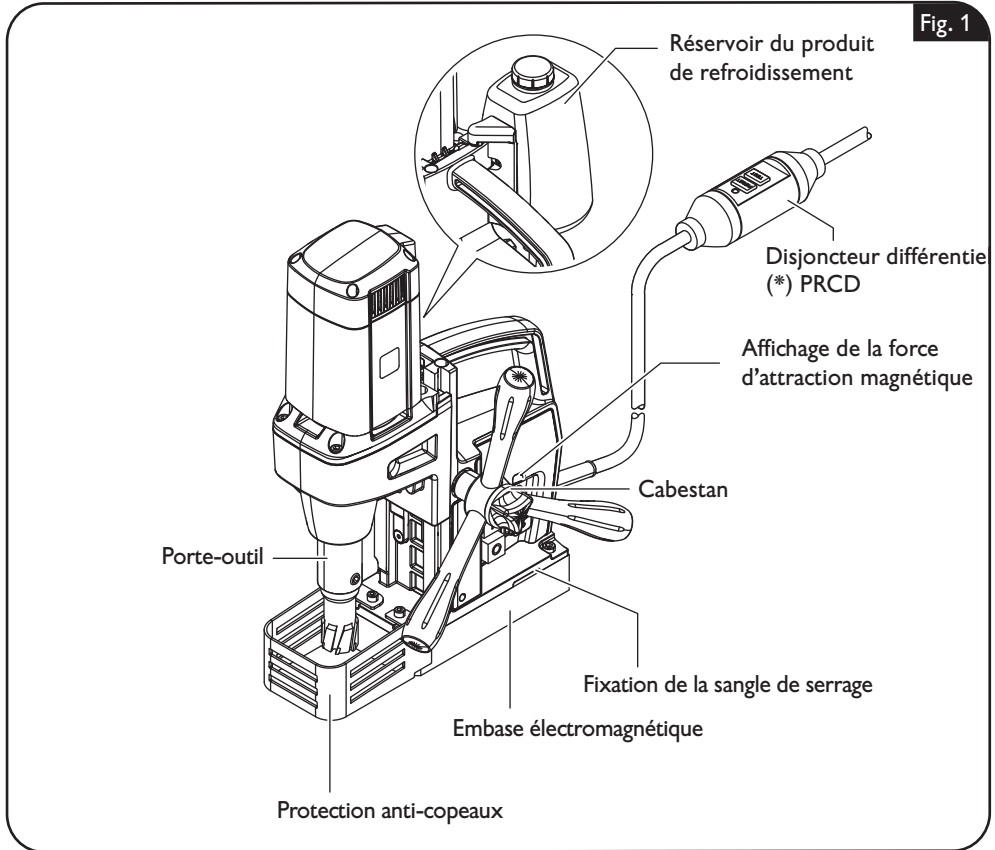
## Description technique et spécification.

### ⚠ AVERTISSEMENT



**Avant de commencer les travaux de montage ou avant de changer les outils de travail et les accessoires, retirer la fiche de secteur.** Cette mesure de sécurité préventive exclut un danger de blessure causé par un démarrage non intentionné de l'outil électrique.

Il se peut que seule une partie des accessoires décrits ou représentés dans cette notice d'utilisation soit fournie avec l'outil électrique.



Type	JME SHORTSLUGGER II (**)
Référence	7 270 ...
Courant absorbé	11 A
Mode de fonctionnement	S3 50%, 40S <sup>A)</sup>
Tension	120 V
Fréquence	60 Hz
Vitesse de référence	700 tr/min
Poids suivant EPTA-Procedure 01	23.8 lbs 10.8 kg
Classe de protection	I

A) L'outil électrique peut être soumis à une charge de 11 A pendant 40s en mode de fonctionnement S3. Ensuite, le moteur de perçage doit être arrêté pendant 40 s. L'aimant peut rester allumé.

## Indications de montage.

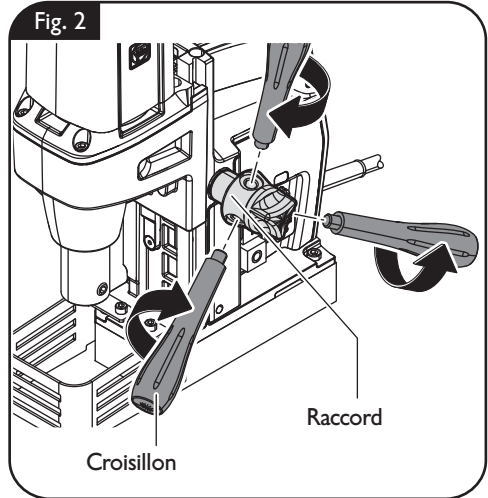
### ⚠ AVERTISSEMENT

**Avant de commencer les travaux de montage ou avant de changer les outils de travail et les accessoires, retirer la fiche de secteur.** Cette mesure de sécurité préventive exclut un danger de blessure causé par un démarrage non intentionné de l'outil électrique.



### Montage du croisillon (figure 2).

Visser les poignées du cabestan dans les ouvertures prévues à cet effet sur le raccord.

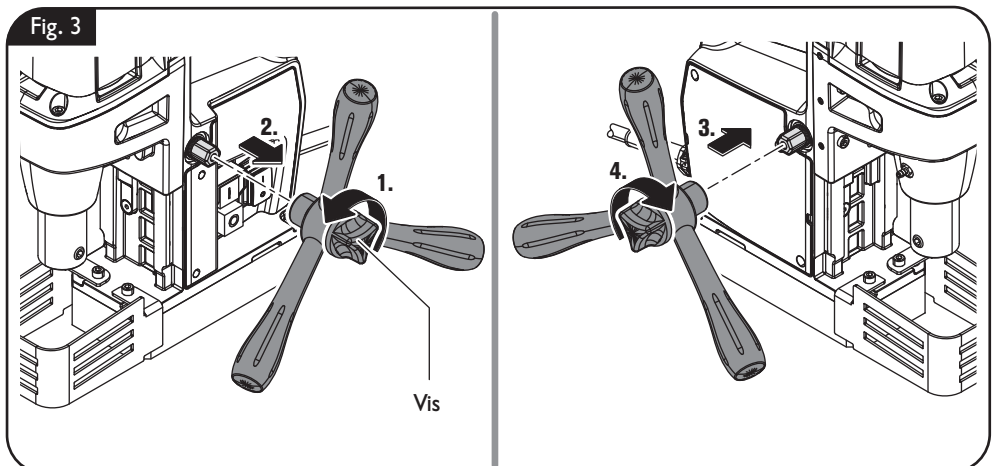


Le cabestan peut être monté des deux côtés. (figure 3)

Desserrer la vis.

Retirer le cabestan.

Introduire le cabestan de l'autre côté et serrer la vis.



## Remplissage du réservoir du liquide de refroidissement.

**⚠ AVERTISSEMENT** Evitez l'écoulement du liquide de refroidissement le long du câble dans la prise ou dans l'unité de perçage ; ceci peut causer un choc électrique. Faites une boucle avec le câble devant la prise pour permettre au liquide de s'égoutter. Ne pas utiliser l'unité de perçage si le système de refroidissement est défectueux. **Avant chaque utilisation**, contrôler l'étanchéité et la présence de fissures dans les tuyaux. Éviter la pénétration de liquide dans les éléments électriques.

### Remplissage du réservoir du liquide de refroidissement démonté (figure 4)

Utiliser comme lubrifiant de coupe exclusivement un lubrifiant à base aqueuse (**mélange huile/eau**).

Tenir compte des instructions du fabricant du produit.

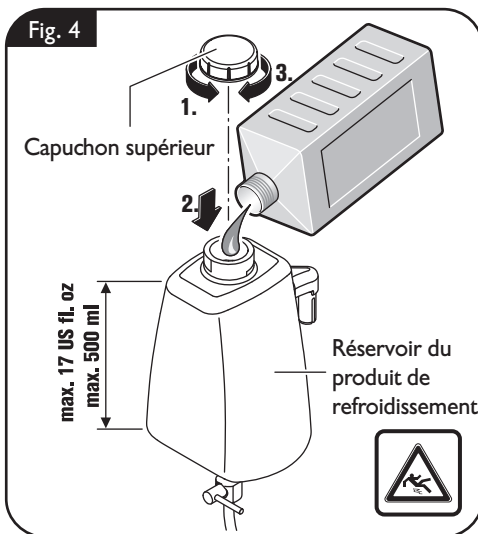
Retirer le réservoir du liquide de refroidissement du carter de support de l'unité de perçage.

Dévissez le capuchon du réservoir du liquide de refroidissement.

Remplir d'un réfrigérant lubrifiant pouvant être pompé, par ex. huile de coupe FEIN.

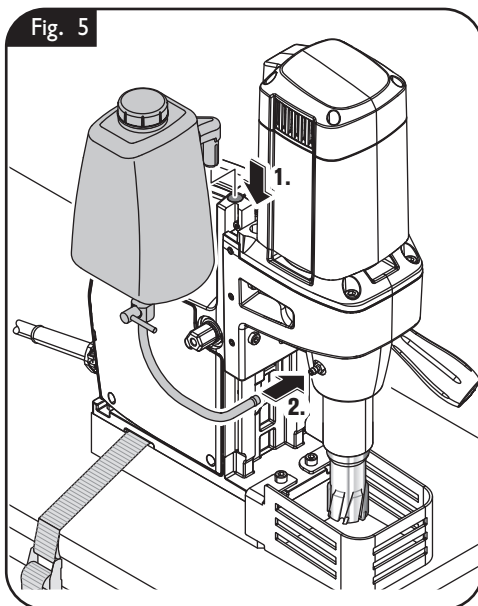
Revisser le capuchon du réservoir du liquide de refroidissement.

Montez le réservoir du liquide de refroidissement rempli dans le support prévu du support de perçage.



### Montage du tuyau du liquide de refroidissement (figure 5).

Connectez le tuyau du liquide de refroidissement.





## Changement d'outil.

**AVERTISSEMENT** Lorsque l'outil électrique risque de tomber, le toujours bloquer à l'aide de la sangle fournie avec, surtout pour les travaux en hauteur, sur les éléments de construction verticaux ou situés au-dessus de la tête. La force d'attraction magnétique n'est plus active lors d'une panne de courant ou lorsque l'appareil est débranché.

**AVERTISSEMENT** Avant de commencer les travaux de montage ou avant de changer les outils de travail et les accessoires, retirer la fiche de secteur. Cette mesure de sécurité préventive exclut un danger de blessure causé par un démarrage non intentionné de l'outil électrique.



**Ne pas toucher les bords aigus de la fraise à carotter.** Danger de blessure.

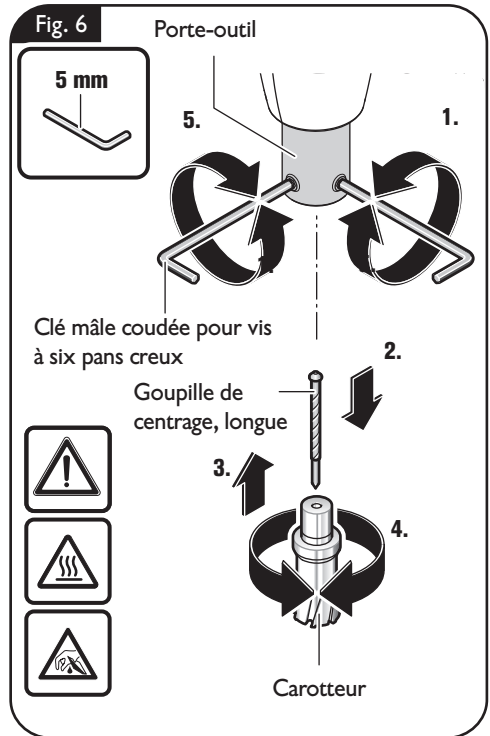
### Porte-outil (figure 6)

Desserrer les deux vis du porte-outil à l'aide d'une clé mâle pour vis à six pans creux.

Faire passer la tige de centrage à travers la fraise à carotter.

Montez la fraise à carotter avec la tige de centrage dans le porte-outil.

Serrez les deux vis du porte-outil à l'aide de la clé mâle pour vis à six pans creux contre les surfaces de la tige de l'accessoire.

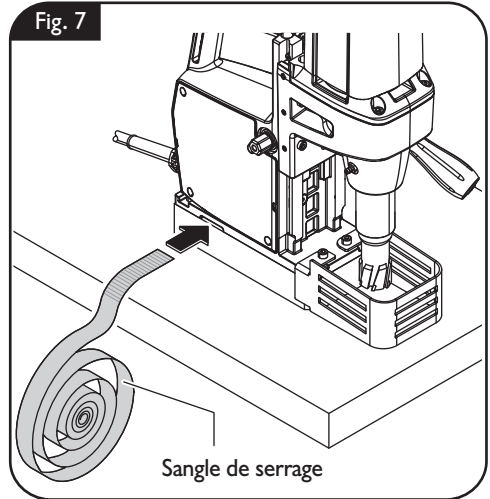


## Indications pour le travail.

**⚠ AVERTISSEMENT** Lorsque l'outil électrique risque de tomber, le toujours bloquer à l'aide de la sangle fournie avec, surtout pour les travaux en hauteur, sur les éléments de construction verticaux ou situés au-dessus de la tête. La force d'attraction magnétique n'est plus active lors d'une panne de courant ou lorsque l'appareil est débranché.

### Montage de la sangle de serrage (figure 7).

Bloquez la machine sur la pièce à l'aide de la sangle de serrage.



## Mise en marche de l'aimant (figure 8).

Veiller à ce que la surface sur laquelle est posée l'embase électromagnétique soit plane, propre et exempte de rouille et de glace. Enlever les couches de vernis et de mastic et autres matériaux. Éviter un entrefer entre l'embase électromagnétique et la surface de montage. L'entrefer réduit la force d'attraction magnétique.

Ne pas utiliser cette machine sur des surfaces chaudes ; ceci pourrait entraîner une réduction permanente de la force d'attraction magnétique.

Lors des travaux, utiliser toujours l'embase électromagnétique et veiller à ce que la force magnétique soit suffisante.

- Si l'affichage de la force d'attraction magnétique reste allumé en permanence, la force magnétique est suffisante et la machine peut être utilisée **avec force d'avance normale**.
- Si l'affichage de la force d'attraction magnétique clignote, la force magnétique n'est éventuellement pas suffisante et la machine doit être utilisée **avec force d'avance réduite**.

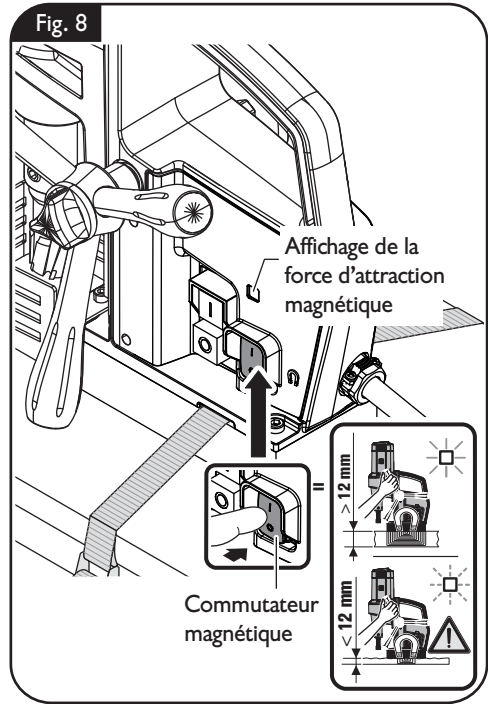
Pour les travaux sur les matériaux non magnétiques, utiliser des dispositifs de fixation FEIN appropriés, disponibles comme accessoires, tels que par ex. plaque à vide ou dispositif de perçage pour tuyaux. Consulter à cet effet les notices correspondantes.

Afin de garantir la force d'attraction magnétique également avec des matériaux en acier d'une épaisseur inférieure à 12 mm, renforcer la pièce à travailler par une plaque supplémentaire en acier.

L'embase magnétique est surveillée par un capteur de courant électrique. Si aucun courant ne traverse l'aimant, le moteur s'arrête.

N'appliquer que la force d'avance absolument nécessaire. Les forces d'avance trop élevées peuvent entraîner une rupture de l'accessoire et une perte de la force d'attraction magnétique.

Lorsque l'alimentation en courant électrique est interrompue alors que le moteur est en marche, un dispositif de sécurité empêche un redémarrage du moteur. Redémarrez le moteur une nouvelle fois.



## Mise en marche ou arrêt du débit du produit de refroidissement (figure 9).



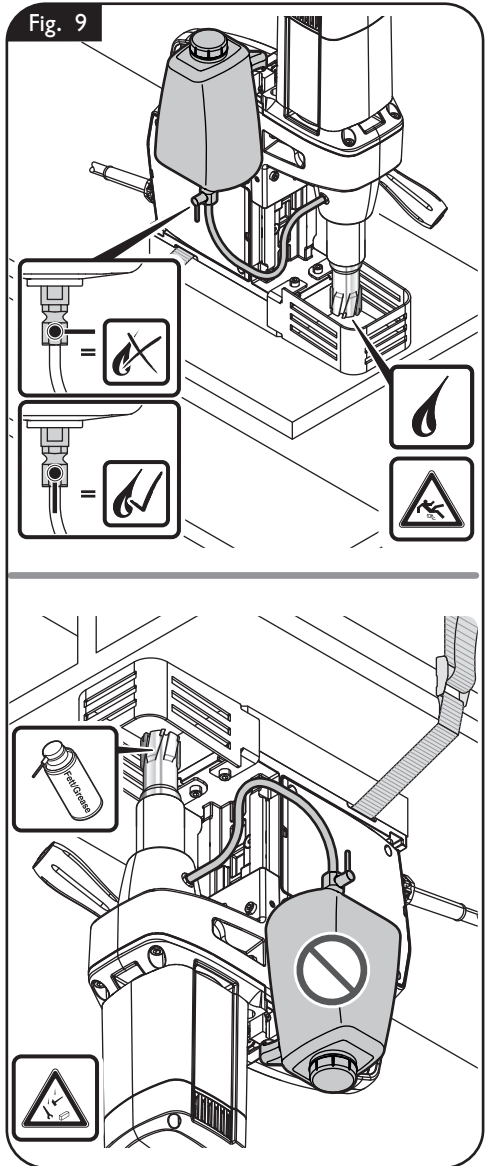
Pour activer le débit du liquide de refroidissement, tourner la vanne de débit dans la position affichée.



Pour l'éteindre ou pour les travaux effectués au-dessus de la tête, arrêter le débit du produit de refroidissement. Tourner le cabestan dans la position affichée.

Utiliser un spray réfrigérant de Fein pour les travaux effectués au-dessus de la tête.

Fig. 9



## Disjoncteur différentiel (\*) PRCD (figure 10).

L'interrupteur de protection personnelle PRCD est spécialement conçu pour votre protection, **ne** l'utilisez donc **pas** comme interrupteur marche/arrêt.

Si l'interrupteur de protection personnelle PRCD est endommagé, par exemple par contact avec de l'eau, ne l'utilisez plus.

L'interrupteur de protection personnelle est indispensable, il sert à protéger l'utilisateur de l'outil électrique contre les chocs électriques. En fonctionnement sans défaut, le témoin de contrôle de l'interrupteur de protection personnelle s'allume en rouge.

Avant de commencer le travail, vérifiez le fonctionnement de l'interrupteur de protection personnelle :

1. Brancher la fiche de l'interrupteur de protection personnelle à la prise de courant.
2. Appuyer sur la touche RESET. Le témoin de contrôle de l'interrupteur de protection personnelle s'allume en rouge.
3. Retirer la fiche de la prise de courant. Le voyant lumineux rouge s'éteint.
4. Répéter les étapes 1 et 2.
5. Appuyer sur la touche TEST, le voyant lumineux rouge s'éteint. Si le témoin de contrôle rouge ne s'éteint pas, ne démarrez pas la machine. Dans ce cas, consultez le service.
6. Appuyer sur la touche RESET ; si le voyant lumineux est allumé rouge, l'outil électrique peut maintenant être mis en marche.

**Ne pas utiliser l'interrupteur de protection personnelle pour allumer et éteindre l'outil électrique.**

## Capteur d'inclinaison.

Si la carotteuse glisse ou bascule, un capteur gyroscopique arrête la machine.

Fig. 10



## Mise en marche/arrêt (figure 11).

### Mise en fonctionnement :

Appuyez sur l'interrupteur Marche.

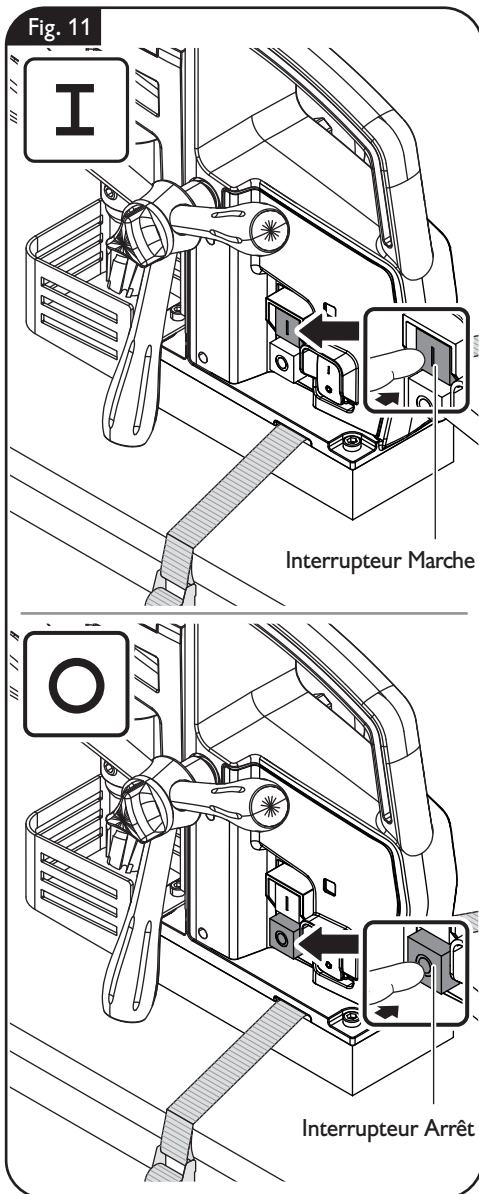
### Arrêt :

Appuyez sur l'interrupteur Arrêt.

### Mise hors fonctionnement :

A l'aide du commutateur magnétique, désactivez l'aimant.

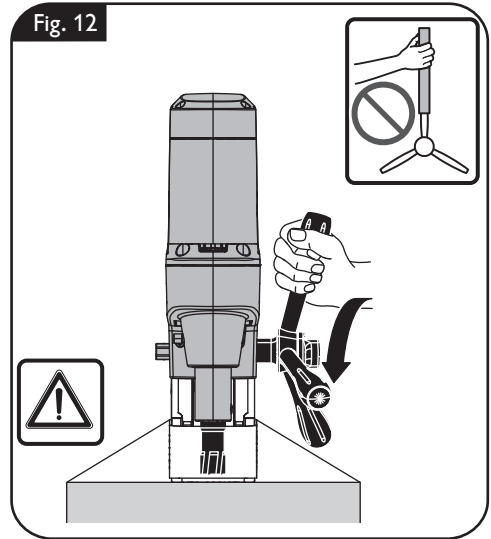
Le **dispositif de protection contre un démarrage intempestif** empêche l'outil électrique de redémarrer automatiquement si l'alimentation électrique a été coupée pendant le fonctionnement. Dans un tel cas, arrêter l'outil électrique, vérifier l'alimentation électrique et remettre l'outil électrique en marche.



## Avance (figure 12).

N'appliquez que la force d'avance absolument nécessaire. Les forces d'avance trop élevées peuvent entraîner une rupture de l'accessoire et une perte de la force d'attraction magnétique.

Tourner le cabestan manuellement, le moteur mis en marche, pour générer l'avance.



## Indications pour les travaux de carottage.

Ne pas arrêter le moteur de carottage durant le processus de perçage.

Ne sortir l'outil coupant du perçage que lorsque le moteur tourne encore.

Au cas où l'outil coupant resterait coincé dans le matériau, arrêter le moteur de carottage et sortir prudemment l'outil coupant en le tournant dans le sens inverse des aiguilles d'une montre.

Enlevez les copeaux et la carotte après chaque opération de perçage.

⚠ Ne touchez pas les copeaux à la main. Utilisez toujours un crochet à copeaux.

⚠ Danger de brûlure ! La surface de l'aimant peut atteindre des températures élevées. Ne touchez pas l'aimant avec les mains nues.

Lors du remplacement de l'outil, ne pas endommager les arêtes de coupe.

Lors du carottage de matériaux stratifiés, enlever la carotte et les copeaux après chaque couche percée.

Message d'erreur/ comportement touche aimant	Explication	Remède
Le voyant s'allume vert	Force d'attraction magnétique suffisante.	
Le voyant clignote vert	Force d'attraction magnétique éventuellement insuffisante.	Afin de garantir la force d'attraction magnétique également avec des matériaux en acier d'une épaisseur inférieure à 12 mm, renforcer la pièce à travailler par une plaque supplémentaire en acier.
Voyant s'allume rouge pendant 1 seconde	– Le détecteur de mouvement a sauté – La coupure de surcharge a sauté – fausse tension du réseau	Une fois l'erreur corrigée, la machine peut être remise en marche.
	– Touche <b>aimant</b> actionnée par erreur	
Voyant clignote rouge 3x	pas de signal de vitesse de rotation	Si cette erreur réapparaît, faire parvenir la machine à un service après-vente FEIN.
Voyant reste allumé rouge en permanence	– fausse tension du réseau/fréquence du réseau – Montant de carottage est surchauffé – Touche est bloquée lors de la mise en marche	Une fois l'erreur corrigée, la machine peut être remise en marche. Si cette erreur réapparaît, faire parvenir la machine à un service après-vente FEIN.
Voyant clignote rouge en permanence	Machine défectueuse.	Faire parvenir la machine à un service après-vente FEIN.



## Travaux d'entretien et service après-vente.

**AVERTISSEMENT** Avant de commencer les travaux de montage ou avant de changer les outils de travail et les accessoires, retirer la fiche de secteur. Cette mesure de sécurité préventive exclut un danger de blessure causé par un démarrage non intentionné de l'outil électrique.

### Pièces remplaçables.

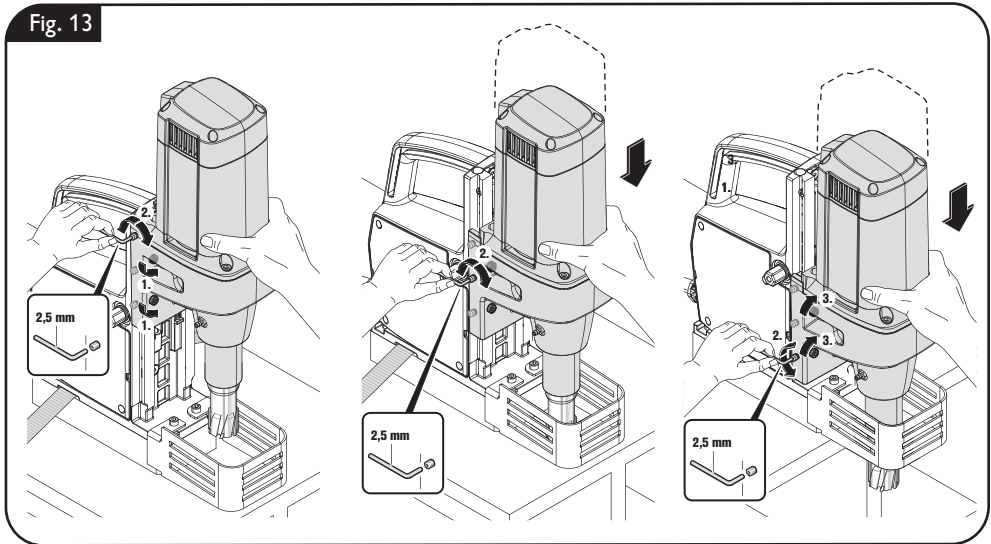
Si nécessaire, vous pouvez vous-même remplacer les éléments suivants :

Embouts et douilles, récipient du produit de refroidissement, support du récipient du produit de refroidissement, protège-mains

### Guidage du moteur de carottage (figure 13).

Au bout de quelques heures de service, le jeu dans le moteur de carottage pourrait augmenter. Le moteur de carottage pourrait alors glisser le long du guidage. Des perturbations de fonctionnement sont possibles. Dans un tel cas, resserrez de manière appropriée toutes les vis de fixation du guidage du moteur, de sorte à ce que le moteur de carottage se laisse facilement bouger manuellement, mais ne puisse pas glisser automatiquement.

Fig. 13



## Service après-vente.

**⚠ AVERTISSEMENT** Ne faire effectuer les travaux d'entretien que par des personnes qualifiées. Les câbles et éléments mal montés peuvent présenter des risques graves. Ne faire effectuer le service d'entretien nécessaire que par une station de service après-vente FEIN.

Si le câble d'alimentation de l'outil électrique est endommagé, le faire remplacer par le fabricant ou son représentant.

Les produits ayant été en contact avec de l'amiante ne doivent pas être réparés. Éliminer les produits contaminés par l'amiante conformément aux dispositions nationales relatives à l'élimination de déchets contenant de l'amiante.

Vous trouverez la liste actuelle des pièces de rechange pour cet outil électrique sur notre site [www.fein.com](http://www.fein.com).

N'utiliser que des pièces de rechange d'origine.

## Nettoyage.

**⚠ AVERTISSEMENT** Afin d'éviter des accidents, débrancher l'outil électrique de l'alimentation en courant avant d'effectuer un nettoyage ou des travaux d'entretien ou de maintenance.

## Garantie.

La garantie du produit est valable conformément à la réglementation légale en vigueur dans le pays où le produit est mis sur le marché.

## Protection de l'environnement, recyclage.

Rapporter les outils électriques hors d'usage et les accessoires dans un centre de recyclage respectant les directives concernant la protection de l'environnement. Pour plus de précisions, s'adresser à votre revendeur spécialisé.

**⚠ AVERTISSEMENT** S'il y a de la poussière conductrice dans l'air lors de l'utilisation de l'appareil, p. ex. lors du traitement de métaux, cette poussière peut se déposer à l'intérieur de l'outil électrique. Souffler alors régulièrement de l'extérieur de l'air comprimé sec exempt d'huile dans l'intérieur de l'outil électrique à travers les ouïes de ventilation ; utiliser toujours une protection oculaire.

**⚠ ATTENTION** Ne pas essayer de nettoyer les orifices de ventilation à l'aide d'objets métalliques pointus ; utiliser des outils non-métalliques.

**⚠ ATTENTION** Ne pas utiliser de détergents ou de solvants qui peuvent endommager les parties en matière plastique. Dont : l'essence, le tétrachlorométhane, solvants chlorés, l'ammoniaque et produits de nettoyage domestiques contenant de l'ammoniaque.

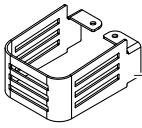
Remplacer les étiquettes et avertissements sur l'outil électrique en cas de vieillissement ou d'usure.

### Système de refroidissement.

Rincez le système de refroidissement avec de l'eau, nettoyez-le et purgez-le complètement, si la machine est arrêtée pendant plus de deux semaines.

## Accessoires fournis (figure 14).

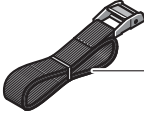
Fig. 14



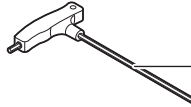
Protection  
anti-copeaux



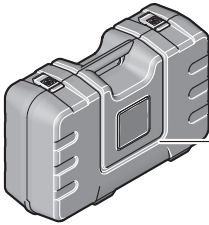
Goupille de centrage, longue 1 x 80 mm  
Goupille de centrage, longue 1 x 100 mm  
Goupille de centrage, longue  
svelte 1 x 100 mm



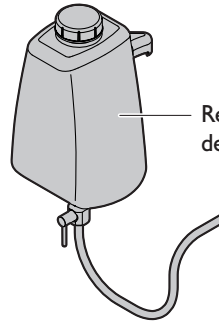
Sangle  
de serrage



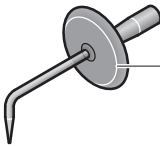
Clé mâle coudée pour vis  
à six pans creux  
5 mm



Coffret



Réservoir du produit  
de refroidissement



Crochet à copeaux

## Para su seguridad.

**⚠ ADVERTENCIA** Lea íntegramente las advertencias de peligro, las instrucciones, las ilustraciones y las especificaciones entregadas con esta herramienta eléctrica. En caso de no atenerse a las instrucciones siguientes, ello puede ocasionar una descarga eléctrica, un incendio y/o una lesión grave.

**Guardar todas las advertencias de peligro e instrucciones para futuras consultas.**

**🚫** No utilice esta herramienta eléctrica sin haber leído antes con detenimiento y haber entendido por completo estas instrucciones de uso, inclusive las ilustraciones, especificaciones, reglas de seguridad, así como las indicaciones identificadas con PELIGRO, ADVERTENCIA y PRECAUCIÓN.

Solamente use esta herramienta eléctrica para realizar los trabajos que FEIN ha previsto para la misma. Únicamente utilice las herramientas y accesorios autorizados por FEIN.

Observe también las respectivas prescripciones contra accidentes de trabajo vigentes en su país.

En caso de no atenerse a las instrucciones de seguridad mencionadas en la documentación previamente citada, ello puede provocar una electrocución, incendio y/o lesión grave.

Guarde estas instrucciones de uso para posteriores consultas y entréguelas al usuario en caso de prestar o vender la máquina.

**GUARDAR ESTAS INSTRUCCIONES EN UN LUGAR SEGURO.**

El término "herramienta eléctrica" empleado en las siguientes instrucciones de seguridad se refiere a herramientas eléctricas de conexión a la red (con línea) y a herramientas eléctricas accionadas por batería (o sea, sin línea).

## Instrucciones generales de seguridad.

### 1) Seguridad del puesto de trabajo

**a) Mantenga limpio y bien iluminado su puesto de trabajo.** El desorden o una iluminación deficiente en las áreas de trabajo pueden provocar accidentes.

**b) No utilice la herramienta eléctrica en un entorno con peligro de explosión, en el que se encuentren combustibles líquidos, gases o material en polvo.** Las herramientas eléctricas producen chispas que pueden llegar a inflamar los materiales en polvo o vapores.

**c) Mantenga alejados a los niños y otras personas de su puesto de trabajo al emplear la herramienta eléctrica.** Una distracción le puede hacer perder el control sobre la herramienta eléctrica.

### 2) Seguridad eléctrica

**a) El enchufe de la herramienta eléctrica debe corresponder a la toma de corriente utilizada. No es admisible modificar el enchufe en forma alguna. No emplear adaptadores en herramientas eléctricas dotadas con una toma de tierra.** Los enchufes sin modificar adecuados a las respectivas tomas de corriente reducen el riesgo de una descarga eléctrica.

**b) Evite que su cuerpo toque partes conectadas a tierra como tuberías, radiadores, cocinas y refrigeradores.** El riesgo a quedar expuesto a una sacudida eléctrica es mayor si su cuerpo tiene contacto con tierra.

**c) No exponga la herramienta eléctrica a la lluvia y evite que penetren líquidos en su interior.** Existe el peligro de recibir una descarga eléctrica si penetran ciertos líquidos en la herramienta eléctrica.

**d) No utilice el cable de red para transportar o colgar la herramienta eléctrica, ni tire de él para sacar el enchufe de la toma de corriente. Mantenga el cable de red alejado del calor, aceite, esquinas cortantes o piezas móviles.** Los cables de red dañados o enredados pueden provocar una descarga eléctrica.

- e) Al trabajar con la herramienta eléctrica a la intemperie utilice solamente cables de prolongación apropiados para su uso en exteriores.** La utilización de un cable de prolongación adecuado para su uso en exteriores reduce el riesgo de una descarga eléctrica.
- f) Si fuese imprescindible utilizar la herramienta eléctrica en un entorno húmedo, es necesario conectarla a través de un fusible diferencial.** La aplicación de un fusible diferencial reduce el riesgo a exponerse a una descarga eléctrica.
- 3) Seguridad de personas**
- a) Esté atento a lo que hace y emplee la herramienta eléctrica con prudencia. No utilice la herramienta eléctrica si estuviese cansado, ni tampoco después de haber consumido alcohol, drogas o medicamentos.** El no estar atento durante el uso de la herramienta eléctrica puede provocarle serias lesiones.
- b) Utilice un equipo de protección personal y en todo caso unas gafas de protección.** El riesgo a lesionarse se reduce considerablemente si, dependiendo del tipo y la aplicación de la herramienta eléctrica empleada, se utiliza un equipo de protección adecuado como una mascarilla antipolvo, zapatos de seguridad con suela antideslizante, casco, o protectores auditivos.
- c) Evite una puesta en marcha fortuita. Asegurarse de que la herramienta eléctrica esté desconectada antes de conectarla a la toma de corriente y/o al montar el acumulador, al recogerla, y al transportarla.** Si transporta la herramienta eléctrica sujetándola por el interruptor de conexión/desconexión, o si alimenta la herramienta eléctrica estando ésta conectada, ello puede dar lugar a un accidente.
- d) Retire las herramientas de ajuste o llaves fijas antes de conectar la herramienta eléctrica.** Una herramienta de ajuste o llave fija colocada en una pieza rotante puede producir lesiones al poner a funcionar la herramienta eléctrica.
- e) Evite posturas arriesgadas. Trabaje sobre una base firme y mantenga el equilibrio en todo momento.** Ello le permitirá controlar mejor la herramienta eléctrica en caso de presentarse una situación inesperada.
- f) Lleve puesta una vestimenta de trabajo adecuada. No utilice vestimenta amplia ni joyas. Mantenga su pelo y vestimenta alejados de las piezas móviles.** La vestimenta suelta, el pelo largo y las joyas se pueden enganchar con las piezas en movimiento.
- g) Siempre que sea posible utilizar unos equipos de aspiración o captación de polvo, asegúrese que éstos estén montados y que sean utilizados correctamente.** El empleo de estos equipos reduce los riesgos derivados del polvo.
- h) No permita que la familiaridad ganada por el uso frecuente de la herramienta eléctrica lo deje creerse seguro e ignorar las normas de seguridad.** Una acción negligente puede causar lesiones graves en una fracción de segundo.
- 4) Uso y trato cuidadoso de herramientas eléctricas**
- a) No sobrecargue la herramienta eléctrica. Use la herramienta eléctrica prevista para el trabajo a realizar.** Con la herramienta eléctrica adecuada podrá trabajar mejor y más seguro dentro del margen de potencia indicado.
- b) No utilice herramientas eléctricas con un interruptor defectuoso.** Las herramientas eléctricas que no se puedan conectar o desconectar son peligrosas y deben hacerse reparar.
- c) Saque el enchufe de la red y/o retire el acumulador desmontable de la herramienta eléctrica, antes de realizar un ajuste, cambiar de accesorio o al guardar la herramienta eléctrica.** Esta medida preventiva reduce el riesgo a conectar accidentalmente la herramienta eléctrica.

- d) Guarde las herramientas eléctricas fuera del alcance de los niños. No permita la utilización de la herramienta eléctrica a aquellas personas que no estén familiarizadas con su uso o que no hayan leído estas instrucciones.** Las herramientas eléctricas utilizadas por personas inexpertas son peligrosas.
- e) Cuide la herramienta eléctrica y los accesorios con esmero. Controle si funcionan correctamente, sin atasarse, las partes móviles de la herramienta eléctrica, y si existen partes rotas o deterioradas que pudieran afectar al funcionamiento de la herramienta eléctrica. Haga reparar estas piezas defectuosas antes de volver a utilizar la herramienta eléctrica.** Muchos de los accidentes se deben a herramientas eléctricas con un mantenimiento deficiente.
- f) Mantenga los útiles limpios y afilados.** Los útiles mantenidos correctamente se dejan guiar y controlar mejor.

- g) Utilice la herramienta eléctrica, accesorios, útiles, etc. de acuerdo a estas instrucciones, considerando en ello las condiciones de trabajo y la tarea a realizar.** El uso de herramientas eléctricas para trabajos diferentes de aquellos para los que han sido concebidas puede resultar peligroso.
- h) Mantenga las empuñaduras y las superficies de las empuñaduras secas, limpias y libres de aceite y grasa.** Las empuñaduras y las superficies de las empuñaduras resbaladizas no permiten un manejo y control seguro de la herramienta eléctrica en situaciones imprevistas.

## 5) Servicio

- a) Únicamente haga reparar su herramienta eléctrica por un profesional, empleando exclusivamente piezas de repuesto originales.** Solamente así se mantiene la seguridad de la herramienta eléctrica.

## Instrucciones de seguridad.

**Si necesita aplicar líquido al taladrar, cuide que el líquido rebosante sea desviado fuera de la zona de trabajo o use un dispositivo apropiado para recoger líquidos.** Estas medidas de precaución evitan que se moje el área de trabajo y reducen el riesgo de electrocución.

**Use la herramienta eléctrica sujetándola por las áreas de agarre aisladas al realizar trabajos en los que el útil de corte pueda tocar líneas eléctricas ocultas, o el propio cable de red de ésta.** El contacto de un útil de corte con cables bajo tensión puede hacer que las partes metálicas del aparato le provoquen una descarga eléctrica.

**Utilizar un protector acústico al taladrar con percusión.** El efecto del ruido puede provocar sordera.

**Si el útil se atora, deje de presionarlo, y desconecte la herramienta eléctrica.** Investigue por qué se ha atorado y elimine la causa de ello.

**Si quiere arrancar de nuevo una unidad de taladrado con el útil dentro de la pieza de trabajo cheque primero si éste se puede girar libremente.** Si el útil está atorado puede que sea forzado si no puede girar, o puede provocar que la unidad de taladrado se suelte de la pieza de trabajo.

**Al fijar el soporte de taladrar a la pieza con la placa de vacío observe que la superficie sea lisa, limpia y no porosa. No sujete el soporte de taladrar sobre superficies laminadas como, p. ej., azulejos y revestimientos en materiales compuestos.** Si la superficie de la pieza de trabajo no es lisa, plana ni está bien adherida puede que la placa de vacío se suelte de la pieza de trabajo.

**Antes de taladrar y mientras esté taladrando asegúrese de que el vacío producido sea suficiente.** Si el vacío no es suficiente puede que la placa de vacío se desprenda de la pieza de trabajo.

**Jamás taladre por encima de la cabeza o en una pared si la máquina solo va sujeta con la placa de vacío.** Si el vacío no se mantiene, la placa se desprende de la pieza de trabajo.

**Al taladrar en paredes o techos cuide que no corran peligro las personas ni el área de trabajo situados al otro lado.** La corona perforadora puede sobresalir del taladro y hacer que el núcleo de perforación caiga en el otro lado.

**No use esta herramienta para realizar trabajos por encima de la cabeza con aportación de líquido.** Puede exponerse a una descarga eléctrica si penetra líquido en la herramienta eléctrica.

### **Instrucciones de seguridad especiales.**

**Deje sustituir de inmediato un manguera de protección del cable si esta dañada.** Una manguera de protección del cable defectuosa puede provocar un sobrecalentamiento de la máquina.

**Utilice un equipo de protección. Dependiendo del trabajo a realizar use una protección para la cara o lentes de protección.**

**Utilice un protector acústico.** Los lentes de protección deberán ser apropiados para protegerle de los fragmentos que pudieran salir despedidos al trabajar. La exposición permanente al ruido puede provocar sordera.

**No toque los filos cortantes de la corona perforadora.** Podría lesionarse.

**Para evitar lesiones cheque las coronas perforadoras antes de comenzar el trabajo. Solo utilice coronas perforadoras que no estén dañadas ni deformadas.** Las coronas perforadoras dañadas o deformadas pueden acarrear graves lesiones.

**Antes de la primera puesta en marcha: Monte la guarda contra contacto en la máquina.**

**!** **Siempre asegure la máquina con la cinta tensora suministrada.** Especialmente al ir colocada sobre superficies inclinadas o irregulares puede que una máquina sin asegurar llegue a volcar.

**Al realizar trabajos por encima de la cabeza tenga cuidado con los objetos que pudieran caer, p. ej., núcleos de perforación o virutas.**

**No utilice el depósito de refrigerante si tuviese que mantener el aparato en posición vertical o por encima de la cabeza al trabajar las piezas.** Emplee un spray de refrigeración en estos casos. La penetración de líquido en la herramienta eléctrica puede ocasionar una descarga eléctrica.

**Evite el contacto con el núcleo de perforación que el perno de centrado expulsa automáticamente al finalizar el trabajo.** Al ser golpeado por el núcleo, que además puede estar muy caliente, puede llegar a accidentarse.

**Únicamente conecte la herramienta eléctrica a tomas de corriente provistas de un contacto de protección reglamentario.**

**Solamente utilice cables de conexión en perfectas condiciones, y unas extensiones provistas de un contacto de protección sometidas a una inspección periódica.** Un cable de protección defectuoso puede provocar una descarga eléctrica.

**Para no lesionarse, siempre mantenga las manos, ropa, etc. alejadas de las virutas en rotación.** Las virutas pueden lesionarle. Siempre use la protección contra virutas.

**No intente retirar el útil mientras éste esté girando todavía.** Podría lesionarse gravemente.

**Preste atención a los conductores eléctricos y a las tuberías de agua y gas ocultas.** Antes de comenzar a trabajar explore la zona de trabajo, p. ej., con un detector de metales.

**No trabaje materiales que contengan magnesio.** Podría provocar un incendio.

**No trabaje CFRP (plástico reforzado con fibras de carbono) ni material que contenga amianto.** Estos materiales son cancerígenos.

**Esta prohibido fijar rótulos o señales a la herramienta eléctrica con tornillos o remaches.** Un aislamiento dañado no le protege de una electrocución.

**No sobrecargue la herramienta eléctrica ni el maletín de protección y no se coloque encima de ellos.** Al sobrecargar o colocarse encima de la herramienta eléctrica o del maletín de transporte puede que se desplace hacia arriba su centro de gravedad y vuelquen.

**No use accesorios que no hayan sido especialmente desarrollados u homologados por el fabricante de la herramienta eléctrica.** El mero hecho de que sea montable un accesorio en su herramienta eléctrica no es garantía de que su funcionamiento sea seguro.

**Limpie periódicamente las rejillas de refrigeración de la herramienta eléctrica empleando herramientas que no sean de metal.** El ventilador del motor aspira polvo hacia el interior de la carcasa. En caso de acumularse polvo de metal en exceso, ello puede provocar al usuario una descarga eléctrica.

## Tratamiento de materiales en polvo peligrosos.

**⚠ ADVERTENCIA** **Al trabajar con herramientas, p. ej., al lijar, pulir, serrar o realizar otros trabajos con arranque de material, los polvos que se producen pueden ser nocivos para la salud, autoinflamables o explosivos.**

El contacto o inspiración de ciertos materiales en polvo puede provocar en el usuario, o en las personas circundantes, reacciones alérgicas y/o enfermedades respiratorias, cáncer, daños congénitos u otros trastornos reproductivos.

A continuación, indicamos algunos de estos materiales junto con los productos químicos que contienen, cuyo polvo producido al trabajar, puede ser nocivo para la salud:

- Amianto y materiales que contengan amianto;
- Pinturas que contengan plomo, ciertos tipos de madera como, p. ej., haya, encino y roble;
- Minerales y metales;
- Partículas de sílice de ladrillo, concreto y demás materiales que contengan mineral;
- Los solventes que contienen ciertas pinturas;
- Arsénico, cromo y otros conservadores de la madera;
- Materiales para combatir parásitos en cascos de botes o barcos;
- Polvos de acero inoxidable, de metales y de metales no férricos.

**Antes de guardarla: Retire el útil.**

**Solo guarde la herramienta eléctrica dentro de su maletín o embalaje.**

**Antes de la puesta en marcha inspeccione si están dañados el cable de red y el enchufe.**

**Siempre use la herramienta eléctrica en combinación con un interruptor de protección personal (\*) PRCD. Siempre controle el correcto funcionamiento del interruptor de protección personal (\*) PRCD antes de realizar los trabajos (ver página 67).**

Para que la exposición a estos materiales sea mínima:

- Utilice un equipo de aspiración apropiado para el polvo producido.
- Use equipos de protección personal como, por ejemplo, una mascarilla guardapolvo con un filtro de la clase P2.
- Observe que esté bien ventilado el puesto de trabajo.

El riesgo derivado de la inspiración de polvo depende de la frecuencia con la que se procesen estos materiales. Los materiales que contengan amianto solamente deberán ser procesados por especialistas.

**⚠ ATENCIÓN** **El polvo de madera y el de aleaciones ligeras puede autoinflamarse o provocar una explosión.**

Si en el saco filtrante o en el filtro del aspirador, el polvo caliente producido al lijar se mezcla con restos de pintura, poliuretano, u otras materias químicas, puede que ésta se autoincendie bajo condiciones desfavorables como, p. ej., el salto de chispas al lijar metales, la exposición permanente y directa al sol, o una temperatura ambiente elevada. Para prevenir esta situación:

- Evite que se sobrecalienten la pieza de trabajo y la herramienta eléctrica.
- Vacíe el depósito de polvo con suficiente antelación.
- Observe las instrucciones de elaboración del fabricante del material.
- Considere las prescripciones sobre los materiales a trabajar.



## Emisión de ruidos (Indicación de dos cifras según ISO 4871)

### Emisión de ruido

### JME SHORTSLUGGER II (\*\*)

Nivel de de presión sonora $L_{pA}$ (re 20 $\mu$ Pa), medido con filtro A en el puesto de trabajo, en decibelios	84.4
Inseguridad $K_{pA}$ , en decibelios	3
Nivel de potencia acústica $L_{wA}$ (re 1 pW), medido con filtro A, en decibelios	95.4
Inseguridad $K_{wA}$ , en decibelios	3
Valor pico del nivel de presión sonora $L_{pCpeak}$ medido con filtro C en el puesto de trabajo, en decibelios	97.4
Inseguridad $K_{pCpeak}$ , en decibelios	3

### Vibración

Promedio de vibraciones (taladrado con coronas)	
- $ft/s^2$	3.0
- $m/s^2$	0.9
Inseguridad $K$ , en	
- $ft/s^2$	4.9
- $m/s^2$	1.5

OBSERVACIÓN: la suma de los valores emitidos medidos, considerando la inseguridad respectiva, representa el límite superior que puede alcanzarse en las mediciones.



¡Utilizar unos protectores acústicos!

Valores de medición determinados según normativa del producto pertinente.

### Extensiones.

**ADVERTENCIA** En caso de utilizar una extensión, la longitud y la sección de la línea deberá ser la correcta para el trabajo a realizar para evitar una caída de tensión en la línea, una reducción de la potencia, y el sobrecalentamiento de la herramienta eléctrica. De lo contrario, se presentan peligros de origen eléctrico en la extensión y en la herramienta eléctrica, además de reducirse sus prestaciones.

**Longitudes y secciones del cable recomendadas para las extensiones al trabajar con una tensión alterna monofásica de 120 V, teniendo conectado solamente un JME SHORTSLUGGER II:**

Longitud de la línea enpies			Longitud de la línea enm		
$\leq 100$	100 -200	200 -300	$\leq 30$	30 - 60	60 -100
Calibre A.W.G. del cable, mín.			Sección del cable en $mm^2$ , mín.		
16	14	12	1.5	2.5	4

## Utilización reglamentaria de la herramienta eléctrica:

---



Unidad de taladrado para taladrar con coronas en materiales de superficie magnetizable con útiles y accesorios homologados por FEIN en lugares cubiertos.











### Alimentación de la herramienta eléctrica con un grupo electrógeno.

ⓘ Esta herramienta eléctrica es apta además para ser utilizada con grupos electrógenos de alterna siempre que dispongan de suficiente potencia y cumplan los requisitos según norma ISO 8528 para la clase de ejecución G2. Deberá prestarse especial atención a no sobrepasar el coeficiente de distorsión máximo del 10 % establecido en dicha norma. En caso de duda consulte los datos del grupo utilizado por Ud.

**⚠ ADVERTENCIA** Esta prohibido conectar la herramienta eléctrica a generadores de corriente cuya tensión en vacío sea superior a la tensión indicada en la placa de características de la herramienta eléctrica.

## Simbología.

Símbolo	Definición
	Es imprescindible leer los documentos que se adjuntan, como las instrucciones de servicio y las instrucciones generales de seguridad.
	¡Seguir las instrucciones indicadas al margen!
	¡Seguir las instrucciones indicadas al margen!
	Antes de realizar el paso de trabajo descrito, sacar el enchufe de la red. En caso contrario, podría accidentarse al ponerse en marcha fortuitamente la herramienta eléctrica.
	Al trabajar protegerse los ojos.
	Al trabajar utilizar un protector acústico.
	No tocar las piezas en rotación de la herramienta eléctrica.
	Atención a los cantos agudos de los útiles como, p. ej., los filos de las cuchillas.
	¡Peligro de resbalamiento!
	¡Peligro de magulladura!
	¡Atención, posible caída de objetos!
	¡Superficie muy caliente!
	¡Peligro de vuelco!
	¡Amarrar con la correa!
	¡No tocar!
	Símbolo de prohibición general. Esta acción está prohibida.
	Este símbolo confirma que este producto ha sido certificado en USA y Canadá.
	Este símbolo advierte sobre una situación peligrosa inminente. Un comportamiento incorrecto puede dar lugar a una lesión grave o incluso mortal.
	Este símbolo advierte sobre una situación peligrosa que puede comportar lesiones graves o mortales.

<b>Símbolo</b>	<b>Definición</b>
 <b>ATENCIÓN</b>	Este símbolo advierte sobre una situación peligrosa en la que pudiera lesionarse.
	Acumular por separado las herramientas eléctricas y demás productos electrotécnicos y eléctricos inservibles y someterlos a un reciclaje ecológico.
	Acero
	Fuerza de sujeción magnética, suficiente
	Fuerza de sujeción magnética, insuficiente
	Paso de líquido cerrado.
	Paso de líquido abierto.
	Arranque del motor de taladrar. Giro a derechas
	Detención del motor
<b>RESET</b>	El interruptor de protección personal (*) PRCD está conectado, la lámpara de control se enciende de color rojo.
<b>TEST</b>	El interruptor de protección personal (*) PRCD está desconectado, la lámpara de control está apagada.
	Tierra de protección
~ o a. c.	Corriente alterna
1 ~	Corriente alterna monofásica
(*)	El interruptor de protección personal (PRCD) puede existir si lo exigen las disposiciones de previsión laboral nacionales o las normativas legales del país del distribuidor original.
(**)	Puede contener cifras o letras
(Ax - Zx)	Identificación para fines internos

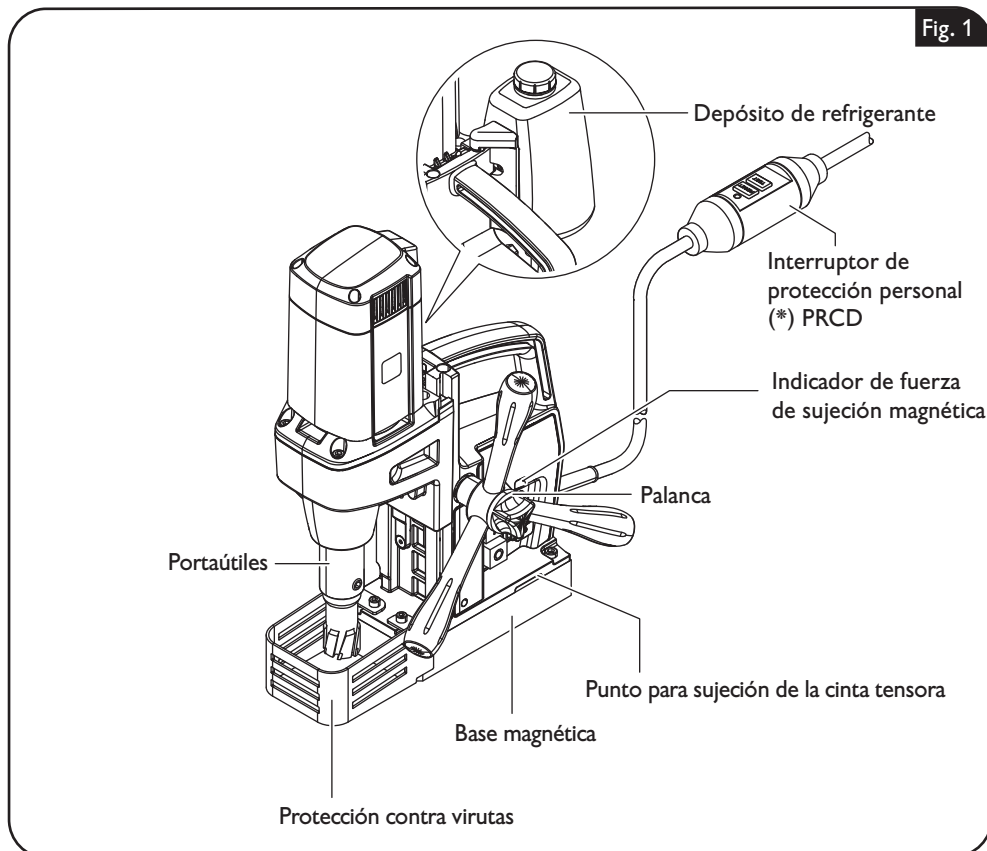
<b>Símbolo</b>	<b>Unidad nacional</b>	<b>Definición</b>
<i>n</i>	rpm; /min; min <sup>-1</sup> ; r/min	Revoluciones en vacío
<i>P</i>	W	Unidad de medida de la potencia
	°	Unidad de medida del ángulo
<i>U</i>	V	Unidad de medida de la tensión eléctrica
<i>f</i>	Hz	Unidad de medida de la frecuencia
<i>I</i>	A	Unidad de medida de la intensidad
<i>m</i>	lbs	Unidad de medida de la masa
<i>l</i>	ft, in	Unidad de medida para la longitud, ancho, altura, profundidad, diámetro o roscas
∅	ft, in	Diámetro de una pieza redonda
<i>K...</i>		Incertidumbre
<i>a</i>	m/s <sup>2</sup>	Nivel de vibraciones generadas según EN 62841 (suma vectorial de tres direcciones)
	m, s, kg, A, mm, V, W, Hz, N, °C, dB, min, m/s <sup>2</sup>	Unidades básicas y unidades derivadas del sistema internacional de unidades <b>SI</b> .

## Descripción técnica y especificaciones.

**⚠ ADVERTENCIA** Saque la clavija del enchufe antes de montar o cambiar los útiles y accesorios. Esta medida de seguridad preventiva evita los accidentes que pudieran presentarse en caso de una puesta en marcha involuntaria.



El material de serie suministrado con su herramienta eléctrica puede que no corresponda en su totalidad al material descrito o mostrado en estas instrucciones de servicio.



<b>Tipo</b>	<b>JME SHORTSLUGGER II (**)</b>
Nº de referencia	7 270 ...
Corriente absorbida	11 A
Modo de operación	S3 50%, 40S <sup>A)</sup>
Tensión	120 V
Frecuencia	60 Hz
Revoluciones en vacío	700 rpm
Peso según EPTA-Procedure 01	23.8 lbs 10.8 kg
Clase de protección	I

A) La herramienta eléctrica se puede cargar con 11 A durante 40 s en el régimen de servicio S3. A continuación, el motor de taladrar debe quedar apagado durante 40 s. El imán puede permanecer encendido.

## Instrucciones de montaje.

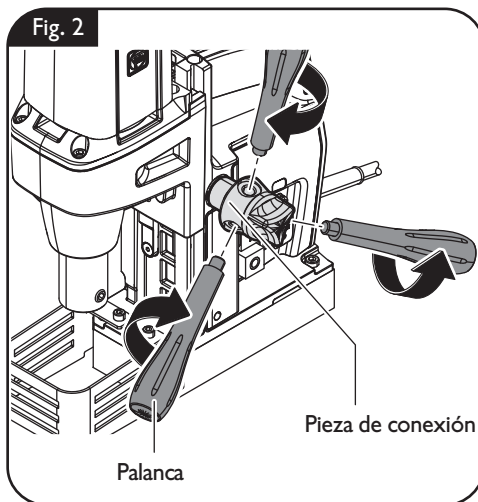
### ⚠ ADVERTENCIA

**Saque la clavija del enchufe antes de montar o cambiar los útiles y accesorios.** Esta medida de seguridad preventiva evita los accidentes que pudieran presentarse en caso de una puesta en marcha involuntaria.



### Montaje de la palanca (Figura 2).

Enrosque las agarraderas de palanca en las roscas de la pieza de conexión previstas para ello.

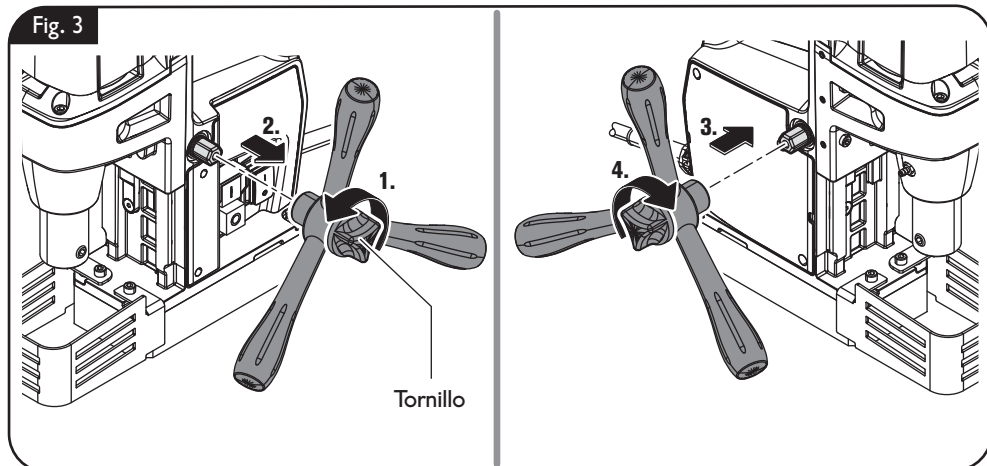


Es posible acoplar la palanca al lado que Ud. prefiera. (Figura 3)

Afloje el tornillo.

Retire la palanca.

Monte la palanca en el otro lado y apriete el tornillo.





## Llenado del depósito de refrigerante.

**⚠ ADVERTENCIA** Evite que el líquido que escurre por la línea llegue a penetrar en el enchufe o en la unidad de taladrado, ya que podría exponerse a una descarga eléctrica. Haga un bucle en la línea, antes del enchufe, para permitir que el líquido gotee de la línea.

No utilice la unidad de taladrado si estuviese defectuoso el sistema de aportación de refrigerante. Verifique **antes de cada operación** la hermeticidad y la existencia de posibles fisuras en las mangueras. Evite que penetren líquidos en las piezas eléctricas.

### Llenado del depósito de refrigerante, desmontado (Figura 4)

Como refrigerante utilice exclusivamente taladrina (**emulsión de aceite en agua**). Preste atención a las instrucciones del fabricante del agente refrigerante.

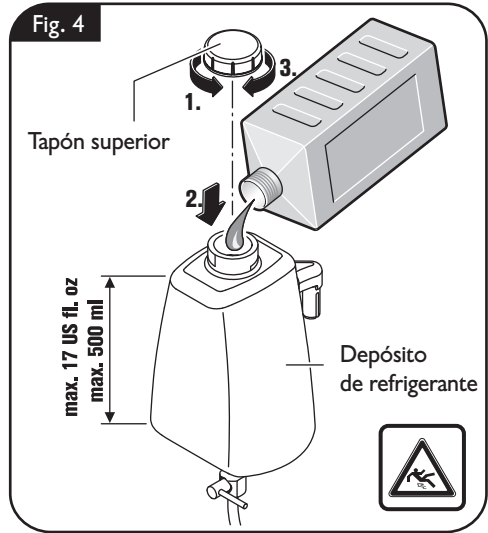
Saque el depósito de refrigerante vacío de la carcasa del soporte de taladrar de la unidad de taladrado.

Desenrosque la tapa de cierre del depósito de refrigerante.

Llene líquido lubricante refrigerante apropiado para ser bombeado, p. ej., aceite de corte Fein.

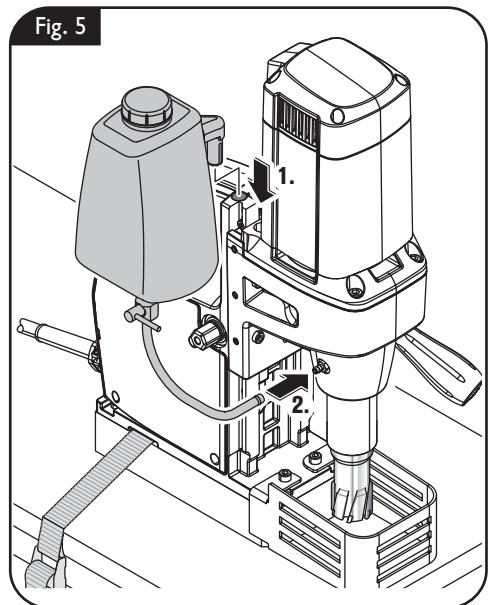
Vuelva a cerrar el tapón del depósito de refrigerante.

Una vez llenado, monte el depósito de refrigerante en el soporte previsto para tal fin en la carcasa del soporte de taladrar.



### Montaje de la manguera de refrigerante (Figura 5).

Conecte la manguera de refrigerante.



## Cambio de útil.

**ADVERTENCIA** Si existiese el riesgo de que pueda caerse la herramienta eléctrica, asegúrela siempre con la cinta tensora suministrada, especialmente al trabajar a cierta altura, en elementos verticales, o al trabajar por encima de la cabeza. La fuerza de sujeción magnética se anula en caso de un corte del fluido eléctrico o al sacar la clavija de la red.

**ADVERTENCIA** Saque la clavija del enchufe antes de montar o cambiar los útiles y accesorios. Esta medida de seguridad preventiva evita los accidentes que pudieran presentarse en caso de una puesta en marcha involuntaria.



**No toque los filos cortantes de la corona perforadora.** Podría lesionarse.

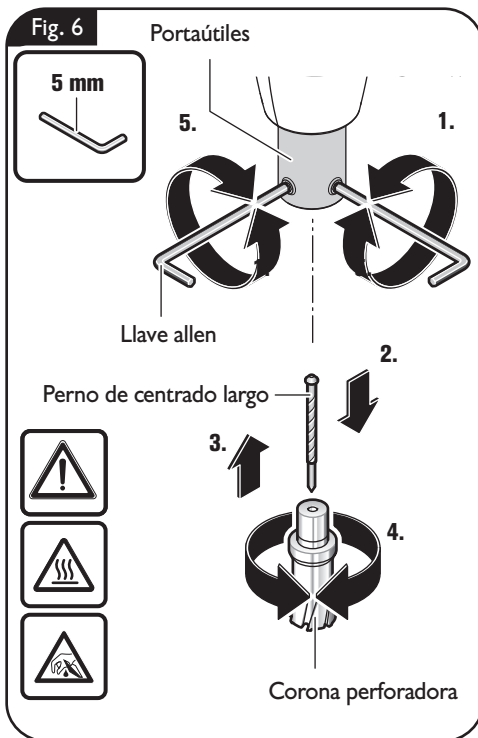
### Portaútiles (Figura 6)

Afloje ambos tornillos del portaútiles con una llave allen.

Pase el perno de centrado por la corona perforadora.

Monte la corona perforadora con el perno de centrado en el portaútiles.

Apriete ambos tornillos del portaútiles contra los planos fresados del vástago del útil, empleando para ello la llave allen.

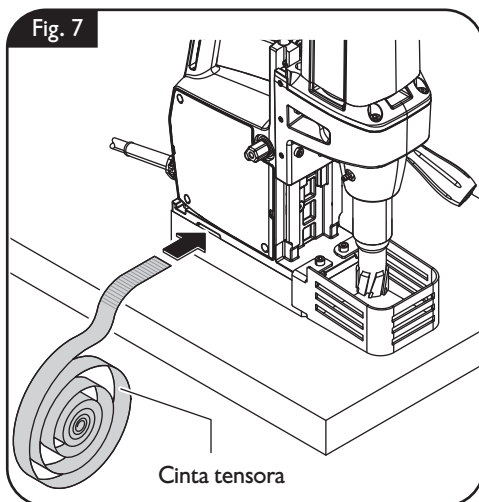


## Instrucciones para la operación.

**⚠ ADVERTENCIA** Si existiese el riesgo de que pueda caerse la herramienta eléctrica, asegúrela siempre con la cinta tensora suministrada, especialmente al trabajar a cierta altura, en elementos verticales, o al trabajar por encima de la cabeza. La fuerza de sujeción magnética se anula en caso de un corte del fluido eléctrico o al sacar la clavija de la red.

### Sujeción de la cinta tensora (Figura 7).

Asegure la máquina sobre la pieza de trabajo con la cinta tensora suministrada.



## Conexión del imán (Figura 8).

Observe que la superficie de fijación de la base magnética sea plana y que esté limpia y libre de óxido y de hielo. Elimine la pintura, capas de masilla y demás materiales que pudieran existir. Cuide que no haya espacios de aire entre la base magnética y la superficie de sujeción. Los espacios de aire reducen la fuerza magnética de sujeción.

No use esta máquina sobre superficies calientes ya que ello podría reducir para siempre la fuerza de sujeción magnética.

Trabaje siempre empleando la base magnética, y observe que ésta quede sujeta con firmeza.

- Si el indicador de fuerza de sujeción magnética luce permanentemente, es suficiente la fuerza de sujeción magnética y la máquina se puede usar con **avance normal**.
- Si el indicador de fuerza de sujeción magnética parpadea puede que la fuerza de sujeción no sea suficiente y la máquina se deberá usar con **avance reducido**.

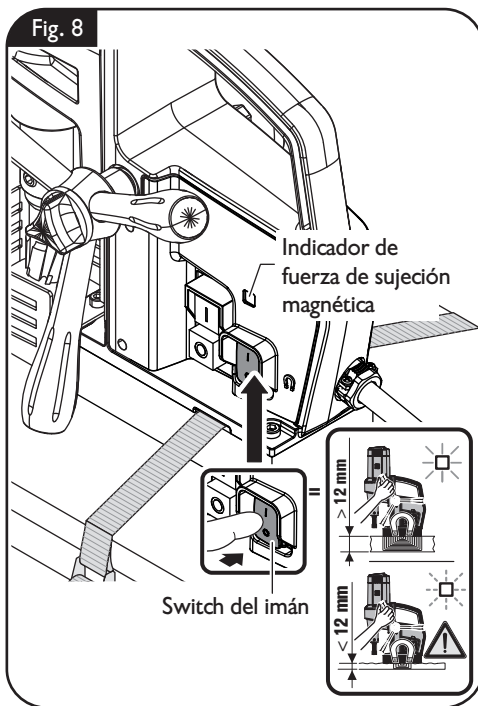
Al trabajar en materiales no magnéticos es necesario usar dispositivos de sujeción FEIN apropiados adquiribles como accesorio como, p. ej., la placa de vacío o el dispositivo para taladrar tubos. Observe para ello las respectivas instrucciones de uso.

También al trabajar piezas de acero, si su grosor es menor de 12 mm, deberá suplementarse la pieza de trabajo con una placa de acero adicional para garantizar una fuerza de sujeción magnética suficiente.

El funcionamiento de la base magnética es controlado por un sensor de corriente. El motor es desconectado si no pasa corriente por el imán.

Solo aplique la fuerza de avance mínima necesaria para trabajar. Una fuerza de avance excesiva puede provocar la rotura del útil y hacer que se desprenda la base magnética.

Si la alimentación se corta con el motor en marcha, un circuito de protección se encarga de evitar la puesta en marcha automática del mismo. Vuelva a conectar el motor.



## Conexión y desconexión del refrigerante (Figura 9).

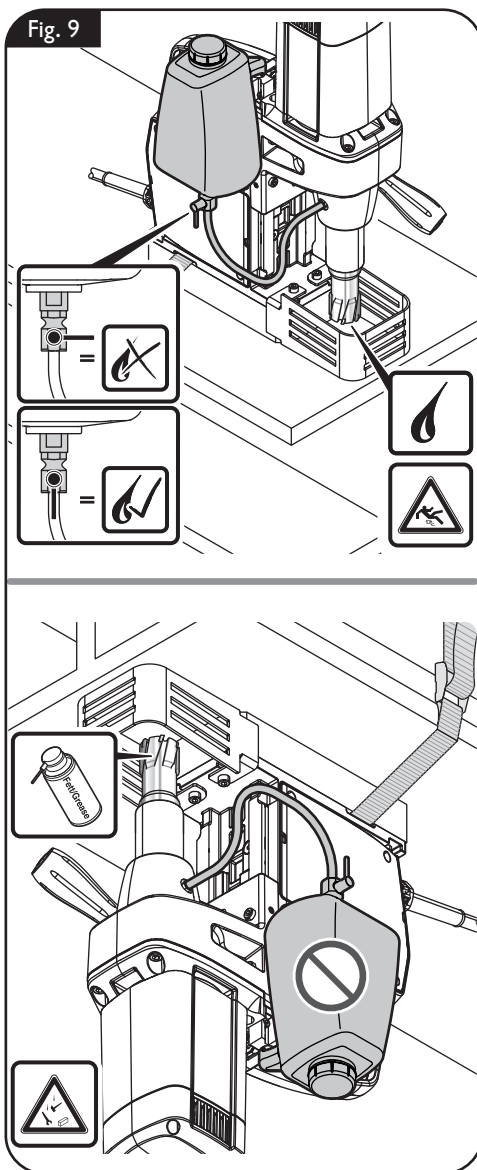


Para dejar circular el refrigerante gire la llave de paso a la posición representada.



Al desconectar el aparato o realizar trabajos por encima de la cabeza corte el paso de refrigerante. Gire la llave de paso a la posición representada.

Al realizar trabajos por encima de la cabeza emplee el spray refrigerante Fein.



## Interruptor de protección personal (\*) PRCD (Figura 10).

El interruptor de protección personal PRCD ha sido especialmente pensado para protegerle a Ud., por ello, **no** lo utilice como interruptor de conexión y desconexión.

No siga usando el interruptor de protección personal PRCD si éste estuviese dañado, p. ej., debido al contacto con agua.

El interruptor de protección personal se deberá usar siempre, ya que protege al usuario de la herramienta eléctrica de una descarga eléctrica. Durante la operación normal el piloto del interruptor de protección personal se ilumina de color rojo.

Antes de comenzar a trabajar compruebe el funcionamiento correcto del interruptor de protección personal:

1. Conecte el enchufe del interruptor de protección personal a la red.
2. Accione el botón RESET. El piloto del interruptor de protección personal se enciende de color rojo.
3. Saque el enchufe de la toma de corriente. El piloto rojo se apaga.
4. Repita los pasos 1. y 2.
5. Presione el botón TEST; el piloto rojo se deberá apagar. Si el piloto rojo no se apaga, no ponga en marcha la máquina. Contacte en este caso al servicio técnico.
6. Accione el botón RESET; si el piloto se pone de color rojo puede conectarse entonces la herramienta eléctrica.

**No utilice el interruptor de protección personal para conectar y desconectar la herramienta eléctrica.**

## Sensor de inclinación.

En el caso de que la unidad de taladrado se desplace o incline durante el uso, un sensor giroscópico se encarga de apagar la máquina.

Fig. 10



## Encendido/apagado (Figura 11).

### Conexión:

Conecte el switch del motor.

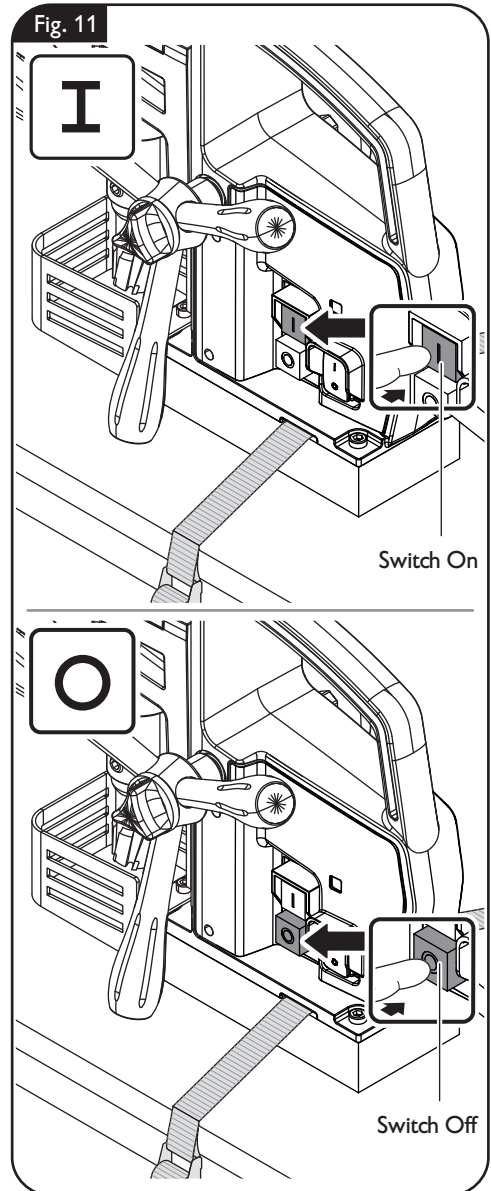
### Desconexión:

Desconecte el switch del motor.

### Desactivación del imán:

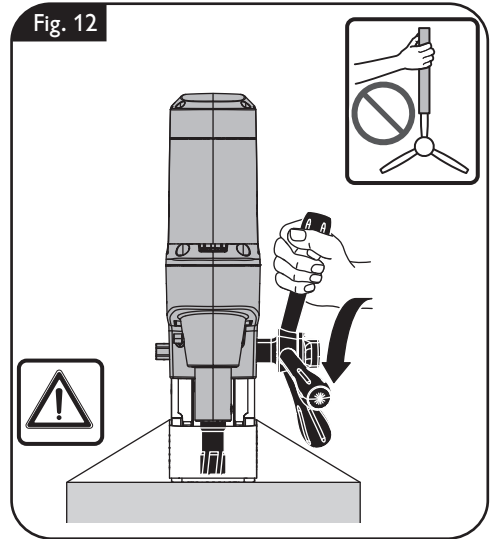
Desconecte el imán con el switch del imán.

La **protección contra re arranque** evita que la herramienta eléctrica se ponga a funcionar por sí sola si se ha cortado la tensión de alimentación durante su funcionamiento. En ese caso desconecte la herramienta eléctrica, controle la tensión de alimentación, y vuelva a conectar de nuevo la herramienta eléctrica.



## Avance(Figura 12).

Solo aplique la fuerza de avance mínima necesaria para trabajar. Una fuerza de avance excesiva puede provocar la rotura del útil y hacer que se desprenda la base magnética. Avance el motor de taladrar conectado girando a mano la palanca.





## Indicaciones para taladrar con coronas.

No detenga el motor de taladrar durante la perforación.

Únicamente sacar la corona de la perforación con el motor en marcha.

Si la corona perforadora llega a atascarse en el material, detenga el motor de taladrar, y vaya sacando la corona perforadora girándola con cuidado en sentido contrario a las agujas del reloj.

Al terminar de taladrar retire las virutas y el núcleo resultante de la perforación.

❗ No toque las virutas directamente con la mano. Siempre realice esto auxiliándose de un gancho.

❗ ¡Peligro de quemadura! La superficie del imán puede alcanzar temperaturas muy elevadas. No toque el imán directamente con las manos.

Al cambiar la broca no dañe sus filos.

Al taladrar materiales compuestos por capas de diferente material con coronas perforadoras, vaya retirando el núcleo y las virutas a medida que va traspasando cada capa.

Aviso de falla/ Indicador de imán	Significado	Solución
Indicador verde encendido	La fuerza de sujeción magnética es suficiente.	
Indicador verde parpadea	La fuerza de sujeción magnética puede ser insuficiente.	Al trabajar en materiales de acero de un grosor inferior a 12 mm es necesario reforzarlos con una placa de acero adicional para asegurar que sea suficiente la fuerza magnética de sujeción.
El indicador se enciende de color rojo durante 1 segundo	– Se ha activado el detector de movimiento	Una vez corregida la falla puede volver a conectarse la máquina.
	– Se ha activado el detector de sobrecarga	
	– Tensión de red incorrecta	
	– El botón <b>Magnet</b> ha sido accionado por descuido	
El indicador parpadea en rojo 3 veces	No hay señal de tacómetro	Si esta falla se presenta frecuentemente envíe la herramienta eléctrica a un servicio técnico FEIN.
El indicador se enciende permanentemente de color rojo	– Frecuencia/tensión de red incorrecta	Una vez corregida la falla puede volver a conectarse la máquina. Si esta falla se presenta frecuentemente envíe la herramienta eléctrica a un servicio técnico FEIN.
	– Soporte de taladrar sobrecalentado	
	– Tecla bloqueada al intentar conectarla	
El indicador parpadea permanentemente de color rojo	Máquina con falla.	Envíe la máquina a un servicio técnico FEIN.

## Reparación y servicio técnico.

**⚠ ADVERTENCIA** Saque la clavija del enchufe antes de montar o cambiar los útiles y accesorios. Esta medida de seguridad preventiva evita los accidentes que pudieran presentarse en caso de una puesta en marcha involuntaria.

### Piezas sustituibles.

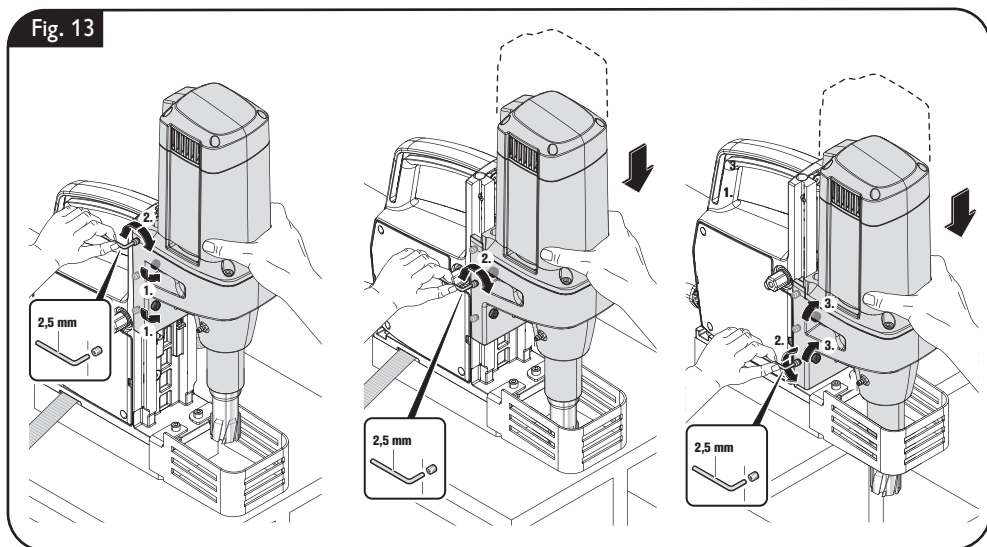
Si fuese preciso, puede sustituir Ud. mismo las piezas siguientes:

Útiles, depósito de refrigerante, soporte del depósito de refrigerante, protección contra contacto

### Guía del motor de taladrar (Figura 13).

Con el uso de la máquina puede ir aumentando la holgura en la guía del motor de taladrar. Esto puede dar lugar a que el taladro se deslice por sí mismo a lo largo de la guía del motor de taladrar. Esto puede dificultar el trabajo con la máquina. En ese caso, apriete con cuidado todos los tornillos de ajuste de la guía del motor de taladrar de forma que el taladro pueda desplazarse fácilmente a mano, pero sin que logre deslizarse hacia abajo por su propio peso.

Fig. 13



## Servicio técnico.

**⚠ ADVERTENCIA** Únicamente deje realizar los trabajos de mantenimiento por un profesional. Las líneas y componentes mal montados pueden suponer un grave peligro. Deje efectuar el servicio requerido por un servicio técnico FEIN.

En caso de que se dañe el cable de red de la herramienta eléctrica, éste deberá ser reemplazado por el fabricante o por su representante.

Los productos que hayan tenido contacto con asbesto no se harán reparar. Deseche los productos contaminados con asbesto de acuerdo a las prescripciones vigentes en su país sobre la eliminación de residuos que contengan asbesto.

La lista de piezas de refacción actual para esta herramienta eléctrica la encuentra en internet bajo [www.fein.com](http://www.fein.com).

Solo emplee refacciones originales.

## Limpieza.

**⚠ ADVERTENCIA** Con el fin de evitar accidentes, saque de la alimentación la clavija de la herramienta eléctrica antes de realizar en la misma cualquier tipo de trabajo de limpieza o de mantenimiento.

**⚠ ADVERTENCIA** Al trabajar en ambientes cargados con polvo conductor de corriente, p. ej., en lugares que procesen metales, este polvo puede llegar a depositarse en el interior de la herramienta eléctrica. Por ello, sople con regularidad desde afuera aire comprimido seco por las rejillas de refrigeración para limpiar el interior de la herramienta eléctrica; utilice siempre unos lentes de protección.

**⚠ ATENCIÓN** No intente limpiar las rejillas de refrigeración de la herramienta eléctrica con objetos metálicos en punta, emplee para ello objetos que no sean de metal.

**⚠ ATENCIÓN** No aplique agentes de limpieza ni disolventes que pudieran atacar a las piezas de plástico. Algunos de ellos son: Gasolina, tetracloruro de carbono, disolventes que contengan cloro, amoniaco, o detergentes domésticos que contengan amoniaco.

Sustituya las etiquetas y las advertencias de peligro autoadhesivas en la herramienta eléctrica si ya no son legibles.

### Circuito de refrigeración.

Enjuague el circuito de refrigeración con agua, límpielo, y vacíelo completamente si tiene previsto no utilizar la máquina durante más de dos semanas.

## Garantía.

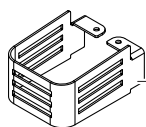
La garantía del producto se realiza de acuerdo a las regulaciones legales vigentes en el país de adquisición.

## Protección del medio ambiente, eliminación.

Las herramientas eléctricas y los accesorios inservibles deberán entregarse a los puntos encargados de su reciclaje ecológico. Para más informaciones consulte a su comercio especializado habitual.

## Accesorios incluidos en el suministro (Figura 14).

Fig. 14



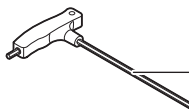
Protección  
contra virutas



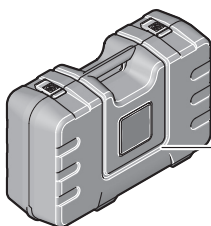
Perno de centrado largo 1 x 80 mm  
Perno de centrado largo 1 x 100 mm  
Perno de centrado largo delgado 1 x 100 mm



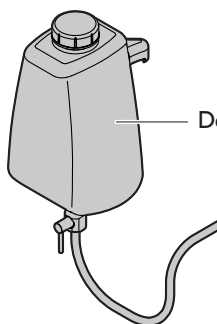
Cinta tensora



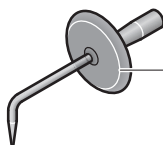
Llave allen  
5 mm



Maletín de  
Transporte



Depósito de refrigerante



Gancho para virutas



**USA**

FEIN Power Tools, Inc.  
1000 Omega Drive  
Suite 1180  
Pittsburgh, PA 15205  
[www.feinus.com](http://www.feinus.com)

**Canada**

FEIN Canadian Power Tool Company  
323 Traders Boulevard East  
Mississauga, Ontario L4Z 2E5  
[www.fein.ca](http://www.fein.ca)

**FEIN Service**

FEIN Power Tools, Inc.  
2735 Hickory Grove Road  
Davenport, IA 52804  
[magdrillrepair@feinus.com](mailto:magdrillrepair@feinus.com)

**Headquarter**

C. & E. Fein GmbH  
Hans-Fein-Straße 81  
73529 Schwäbisch Gmünd-Bargau, Germany  
[www.fein.com](http://www.fein.com)

