

**AStx649-1 (\*\*)**  
**Astxe649-1 (\*\*)**

**7 234 ...**  
**7 234 ...**

**en** Instruction Manual



**fr** Mode d'emploi




**es** Instrucciones de uso



## For your safety.

**⚠ WARNING** **Read all safety warnings, instructions, illustrations and specifications provided with this power tool.** Failure to follow all instructions listed below may result in electric shock, fire and/or serious injury.  
**Save all warnings and instructions for future reference.**

 Do not use this power tool before you have thoroughly read and completely understood this Instruction Manual, including the figures, specifications, safety regulations and the signs indicating DANGER, WARNING and CAUTION.

Only carry out such operations with this power tool as intended for by FEIN. Only use application tools and accessories that have been released by FEIN.

Please also observe the relevant national industrial safety regulations.

Non-observance of the safety instructions in the said documentation can lead to an electric shock, burns and/or severe injuries.

This Instruction Manual should be kept for later use and enclosed with the power tool, should it be passed on or sold.

**SAVE THESE INSTRUCTIONS.**

The term “power tool” in the warnings refers to your mains-operated (corded) power tool or battery operated (cordless) power tool.

## General Power Tool Safety Warnings.

### 1) Work area safety

- a) **Keep work area clean and well lit.** Cluttered or dark areas invite accidents.
- b) **Do not operate power tools in explosive atmospheres, such as in the presence of flammable liquids, gases or dust.** Power tools create sparks which may ignite the dust or fumes.
- c) **Keep children and bystanders away while operating a power tool.** Distractions can cause you to lose control.

### 2) Electrical safety

- a) **Power tool plugs must match the outlet. Never modify the plug in any way. Do not use any adapter plugs with earthed (grounded) power tools.** Unmodified plugs and matching outlets will reduce risk of electric shock.
- b) **Avoid body contact with earthed or grounded surfaces, such as pipes, radiators, ranges and refrigerators.** There is an increased risk of electric shock if your body is earthed or grounded.
- c) **Do not expose power tools to rain or wet conditions.** Water entering a power tool will increase the risk of electric shock.
- d) **Do not abuse the cord. Never use the cord for carrying, pulling or unplugging the power tool. Keep cord away from heat, oil, sharp edges or moving parts.** Damaged or entangled cords increase the risk of electric shock.
- e) **When operating a power tool outdoors, use an extension cord suitable for outdoor use.** Use of a cord suitable for outdoor use reduces the risk of electric shock.
- f) **If operating a power tool in a damp location is unavoidable, use a residual current device (RCD) protected supply.** Use of an RCD reduces the risk of electric shock.

### 3) Personal safety

- a) **Stay alert, watch what you are doing and use common sense when operating a power tool. Do not use a power tool while you are tired or under the influence of drugs, alcohol or medication.** A moment of inattention while operating power tools may result in serious personal injury.
- b) **Use personal protective equipment. Always wear eye protection.** Protective equipment such as a dust mask, non-skid safety shoes, hard hat or hearing protection used for appropriate conditions will reduce personal injuries.

- c) **Prevent unintentional starting. Ensure the switch is in the off-position before connecting to power source and/or battery pack, picking up or carrying the tool.** Carrying power tools with your finger on the switch or energising power tools that have the switch on invites accidents.
  - d) **Remove any adjusting key or wrench before turning the power tool on.** A wrench or a key left attached to a rotating part of the power tool may result in personal injury.
  - e) **Do not overreach. Keep proper footing and balance at all times.** This enables better control of the power tool in unexpected situations.
  - f) **Dress properly. Do not wear loose clothing or jewellery. Keep your hair and clothing away from moving parts.** Loose clothes, jewellery or long hair can be caught in moving parts.
  - g) **If devices are provided for the connection of dust extraction and collection facilities, ensure these are connected and properly used.** Use of dust collection can reduce dust-related hazards.
  - h) **Do not let familiarity gained from frequent use of tools allow you to become complacent and ignore tool safety principles.** A careless action can cause severe injury within a fraction of a second.
- 4) Power tool use and care**
- a) **Do not force the power tool. Use the correct power tool for your application.** The correct power tool will do the job better and safer at the rate for which it was designed.
  - b) **Do not use the power tool if the switch does not turn it on and off.** Any power tool that cannot be controlled with the switch is dangerous and must be repaired.
  - c) **Disconnect the plug from the power source and/or remove the battery pack, if detachable, from the power tool before making any adjustments, changing accessories, or storing power tools.** Such preventive safety measures reduce the risk of starting the power tool accidentally.
  - d) **Store idle power tools out of the reach of children and do not allow persons unfamiliar with the power tool or these instructions to operate the power tool.** Power tools are dangerous in the hands of untrained users.
  - e) **Maintain power tools and accessories. Check for misalignment or binding of moving parts, breakage of parts and any other condition that may affect the power tool's operation. If damaged, have the power tool repaired before use.** Many accidents are caused by poorly maintained power tools.
  - f) **Keep cutting tools sharp and clean.** Properly maintained cutting tools with sharp cutting edges are less likely to bind and are easier to control.
  - g) **Use the power tool, accessories and tool bits etc. in accordance with these instructions, taking into account the working conditions and the work to be performed.** Use of the power tool for operations different from those intended could result in a hazardous situation.
  - h) **Keep handles and grasping surfaces dry, clean and free from oil and grease.** Slippery handles and grasping surfaces do not allow for safe handling and control of the tool in unexpected situations.
- 5) Service**
- a) **Have your power tool serviced by a qualified repair person using only identical replacement parts.** This will ensure that the safety of the power tool is maintained.

## Special safety instructions.

**Hold power tool by insulated gripping surfaces when performing an operation where the cutting accessory may contact hidden wiring or its own cord.** Cutting accessory contacting a “live” wire will make exposed metal parts of the power tool “live” and shock the operator.

**Keep your hands away from the saw blade. Do not reach in front of or below the saw blade.** Contact with the saw blade can lead to injury. Saw blades can become very hot while working.

**Wear protective equipment. Depending on the application, wear face shield or safety goggles. Wear hearing protection.** The safety glasses/goggles must be suitable to protect against the particles emitted from different operations. Continuous high exposure to noise can lead to loss of hearing.

**Use clamps or another practical way to secure and support the workpiece to a stable platform.** Holding the work by hand or against your body leaves it unstable and may lead to loss of control.

**Secure the work piece firmly.** A work piece that is gripped tightly in a clamping device or vice, is more secure than if held by hand.

**Do not rivet or screw any name-plates or signs onto the power tool.** If the insulation is damaged, protection against an electric shock will be ineffective. Adhesive labels are recommended.

**Do not use accessories which are not specifically designed and recommended by the power tool manufacturer.** Safe operation is not ensured merely because an accessory fits your power tool.

**Clean the ventilation openings on the power tool at regular intervals using non-metal tools.** The blower of the motor draws dust into the housing. An excessive accumulation of metallic dust can cause an electrical hazard.

**Before putting into operation, check the power connection and the power plug for damage.**

**Recommendation: The tool should always be supplied with power via a ground fault circuit interrupter (GFCI) with a rated current of 30 mA or less.**

## Handling hazardous dusts.

**⚠ WARNING** When working with power tools, such as when grinding, sanding, polishing, sawing or for other work procedures where material is removed, dusts develop that are both hazardous to one's health and can spontaneously combust or be explosive.

Contact with or inhaling some dust types can trigger allergic reactions to the operator or bystanders and/or lead to respiratory infections, cancer, birth defects or other reproductive harm.

Examples of such materials which contain chemicals that can produce hazardous dusts, are:

- Asbestos and materials containing asbestos;
- Lead-containing coatings, some wood types such as beech and oak;
- Minerals and metal;
- Silicate particles from bricks, concrete and other materials containing stone;
- Solvent from solvent-containing paint/varnish;
- Arsenic, chromium and other wood preservatives;
- Materials for pesticide treatment on boat and ship hulls;
- Stainless steel dust, metal dust and non-ferrous metal dust;

To minimize the unwanted intake of these materials:

- Use dust extraction matched appropriately for the developing dust.
- Use personal protective equipment, such as a P2 filter-class dust protection mask.
- Provide for good ventilation of the workplace.

The risk from inhaling dusts depends on how often these materials are worked. Materials containing asbestos may only be worked on by specialists.

**⚠ CAUTION** Wood and light-metal dust can cause spontaneous combustion or explosions.

Hot mixtures of sanding dust and paint/varnish remainders or other chemical materials in the filter bag or the vac filter can self-ignite under unfavorable conditions, such as sparking from sanding metal, continuous sunlight or high ambient temperatures. To prevent this:

- Avoid overheating the material being sanded and the power tool.
- Empty the dust collector/container in time.
- Observe the material manufacturer's working instructions.
- Observe the relevant regulations in your country for the materials being worked.

## Hand/arm vibrations.

**⚠ WARNING** **While working with this power tool, hand/arm vibrations occur.** These can lead to health impairments.

**⚠ WARNING** The vibration emission value during actual use of the power tool can differ from the declared value depending on the ways in which the tool is used.

**⚠ WARNING** It is necessary to identify safety measures to protect the operator that are based on an estimation of exposure in the actual conditions of use.

The vibration emission level given in this information sheet has been measured in accordance with a standardized test given in EN 62841 and may be used to compare one tool with another. It may be used for a preliminary assessment of the vibrational impact. The declared vibration emission level repre-

sents the main applications of the power tool. However, if the power tool is used for other applications with different accessories or poorly maintained, the vibration emission may differ. This may significantly increase the vibrational impact over the total working period.

An estimation of the level of exposure to vibration should also take into account the times when the tool is switched off or when it is running but not actually doing the job. This may significantly reduce the vibrational load over the total working period.

Identify additional safety measures to protect the operator from the effects of vibration such as: Maintain the power tool and the accessories, keep the hands warm, organization of work patterns.

### Emission values for sound and vibration (Two-figure – specifications as per ISO 4871)

#### Sound emission

A-weighted emission pressure power level measured at the workplace  $L_{pA}$  (re 20  $\mu$ Pa), in decibels

Measuring uncertainty  $K_{pA}$ , in decibels

Measured A-weighted sound power level  $L_{wA}$  (re 1 pW), in decibels

Measuring uncertainty  $K_{wA}$ , in decibels

C-weighted peak sound pressure level measured at the workplace  $L_{pCpeak}$  in decibels

Measuring uncertainty  $K_{pCpeak}$  in decibels

#### ASTx649-1 (\*\*)

89 89

3 3

100 100

3 3

102 102

3 3

#### Vibrations

Mean vibrational value for sawing

– m/s<sup>2</sup>

– ft/s<sup>2</sup>

7.0

7.0

22.9

22.9

Measuring uncertainty  $K$ , in

– m/s<sup>2</sup>

– ft/s<sup>2</sup>


1.5

1.5

4.9

4.9

REMARK: The sum of the measured emission value and respective measuring inaccuracy represents the upper limit of the values that can occur during measuring.

 Wear hearing protection!

Measured values determined in accordance with the corresponding product standard.

## Extension cable.

**⚠ WARNING** If the use of an extension cord is required, its length and conductor cross-section must be adequate for the application in order to prevent a voltage drop in the extension cord, power loss and overheating of the power tool. Otherwise, the extension cable and power tool are prone to electrical danger, and the working efficiency is decreased.

**Recommended dimensions of extension cords at an operating voltage of 120 V – single-phase a. c., with only AStx649-1 (\*\*)/AStxe649-1 (\*\*) connected:**

Max. cable length, ft			Max. cable length, m		
≤ 100	100 –200	200 –300	≤ 30	30 – 60	60 –100
Min. conductor size A.W.G.			Min. conductor cross-section, mm <sup>2</sup>		
16	14	12	1.5	2.5	4

## Intended use of the power tool:







Hand-guided hacksaw for commercial use for cutting round and other shaped work pieces of metal, plastic and cement in weather-protected environments using the application tools and accessories recommended by FEIN.

## Operation of the power tool off power generators.












**!** This power tool is also suitable for use with AC generators with sufficient power output that correspond to the Standard ISO 8528, design type G2. This Standard is particularly not complied with when the so-called distortion factor exceeds 10 %. When in doubt, please refer to the generator instruction/specification guide.

**⚠ WARNING** Operating the power tool off power generators whose no-load speed exceeds the voltage value on the type plate of the power tool is prohibited.

## Symbols.

Symbol, character	Explanation
	Make sure to read the enclosed documents such as the Instruction Manual and the General Safety Instructions.
	Observe the instructions in the text or graphic opposite!
	Before commencing this working step, pull the power plug out of the socket. Otherwise there will be danger of injury if the power tool should start unintentionally.
	Do not touch the saw blade
	Use eye protection during operation.
	Use ear protection during operation.



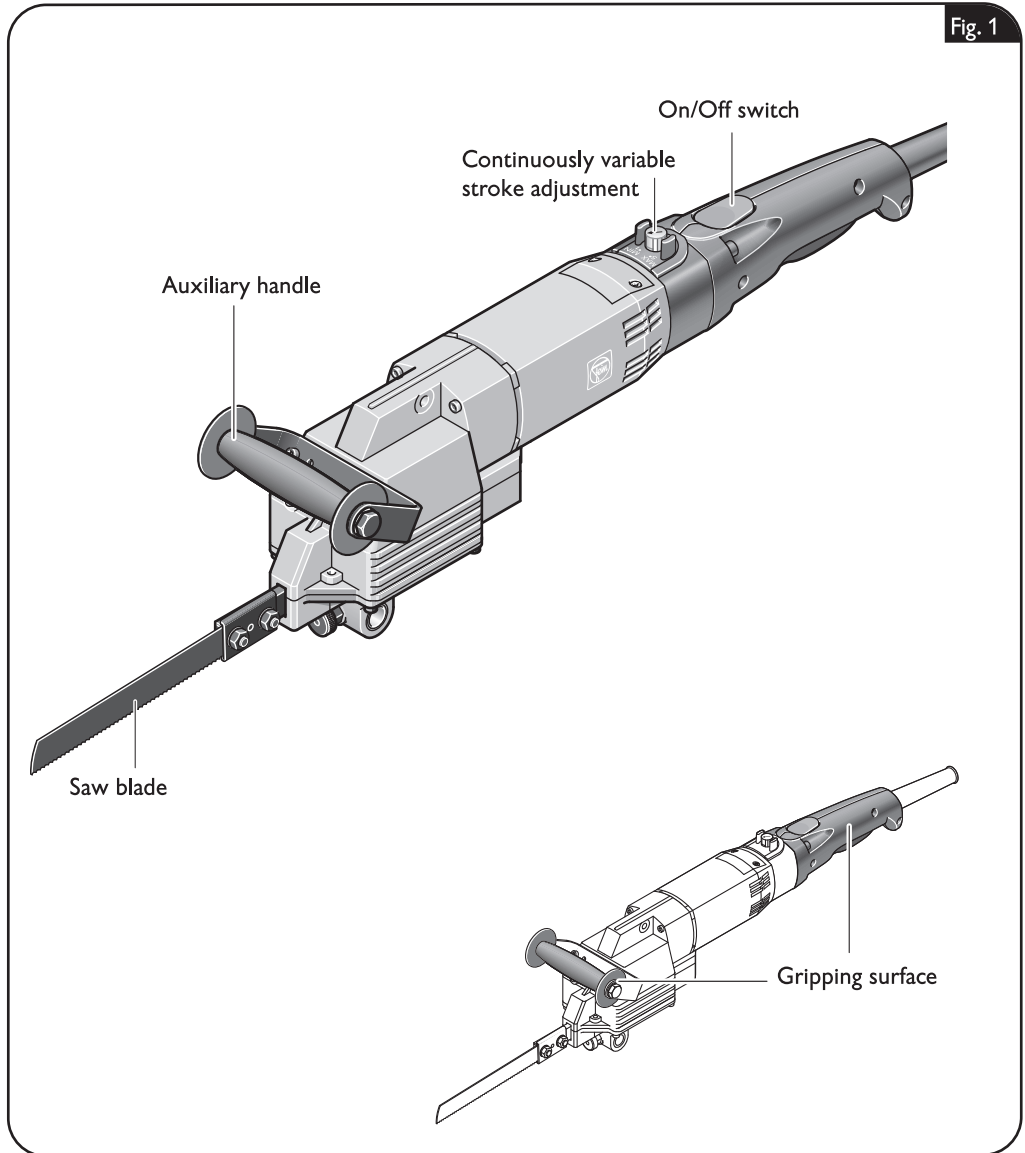
Symbol, character	Explanation
	Use protective gloves during operation.
	Switching on
	Switching off
	Observe the notes in the text aside!
	A surface that can be touched may be very hot and thus hazardous.
	This symbol confirms the certification of this product for the USA and Canada.
 <b>DANGER</b>	This sign warns of a directly imminent, dangerous situation. A false reaction can cause a severe or fatal injury.
 <b>WARNING</b>	This sign indicates a possible dangerous situation that could cause severe or fatal injury.
 <b>CAUTION</b>	This sign warns of a possible dangerous situation that could cause injury.
	Worn out power tools and other electrotechnical and electrical products should be sorted separately for environmentally-friendly recycling.
	Product with double or reinforced insulation
~ or a. c.	Alternating current
1~	Alternating current, single-phase
(**)	may contain numbers and letters
(Ax - Zx)	Marking for internal purposes

Character	Unit of measurement, national	Explanation
$n_0$	rpm; /min; $\text{min}^{-1}$ ; r/min	Stroke rate at no-load
$P$	W	Electrical power
	°	Angle width
$U$	V	Electric voltage
$f$	Hz	Frequency
$I$	A	Electric current intensity
$m$	kg, lbs	Mass
$l$	ft, in	Length, width, height, depth, diameter or thread
$\emptyset$	ft, in	Diameter of a round part
$K_{..}$		Uncertainty
$a$	$\text{m/s}^2$	Vibrational emission value according to EN 62841 (vector sum of three directions)
	m, s, kg, A, mm, V, W, Hz, N, °C, dB, min, $\text{m/s}^2$	Basic and derived units of measurement from the international system of units <b>SI</b> .

## Technical description and specifications.

**⚠ WARNING** Before mounting or replacing cutting tool or accessories, pull the power plug. This preventive safety measure rules out the danger of injuries through accidental starting of the power tool.

Not all accessories described or shown in this instruction manual will be included with your power tool.



Type	AStx649-1 (**)	AStxe649-1 (**)
Order number	7 234 ...	7 234 ...
Current consumption	6.8 A	6.8 A
Output	480 W	480 W
Stroke rate at no-load	400 /min	100 – 400 /min
Max. outside diameter		
– for pipes	13 in 325 mm	13 in 325 mm
– with clamping device and extension chain	17 1/4 in 440 mm	17 1/4 in 440 mm
Max. work piece dimensions		
– Width	11 1/4 in 290 mm	11 1/4 in 290 mm
– Height	22 in 550 mm	22 in 550 mm
Weight according to EPTA-Procedure 01	13.4 lbs (6.1 kg)	14.1 lbs (6.4 kg)
Class of protection	□/II	□/II

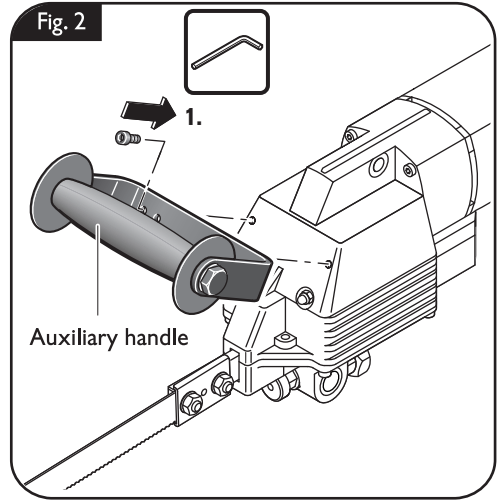
## Assembly instructions.

**⚠ WARNING** Before mounting or replacing cutting tool or accessories, pull the power plug. This preventive safety measure rules out the danger of injuries through accidental starting of the power tool.

### Mounting the auxiliary handle (figure 2).

Screw the auxiliary handle to the gear head with the pan head screws.

Tighten the pan head screws with the hex key.



## Changing the tool.

**⚠ WARNING** Before mounting or replacing cutting tool or accessories, pull the power plug. This preventive safety measure rules out the danger of injuries through accidental starting of the power tool.

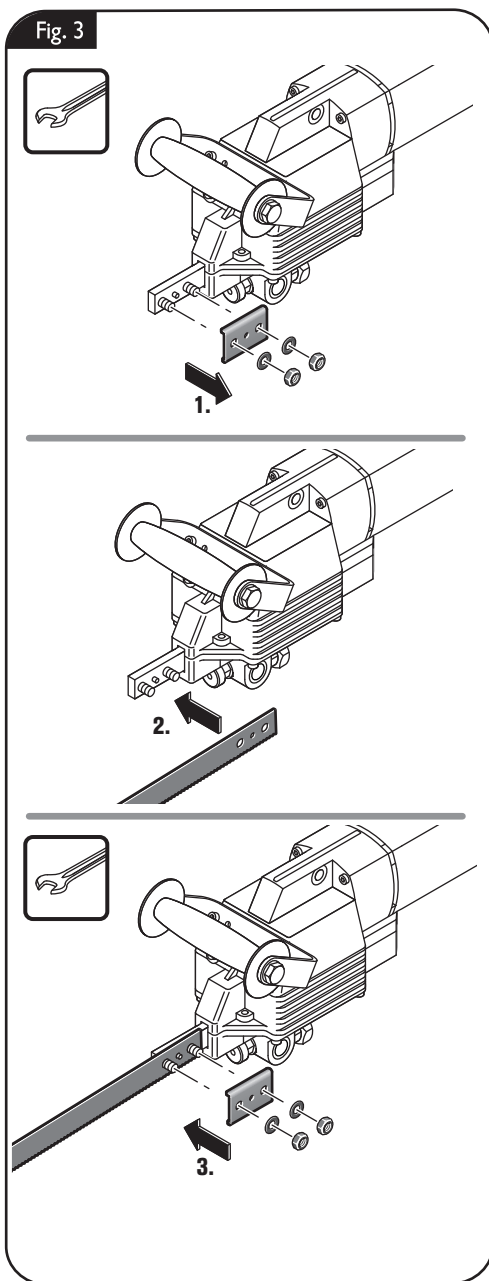
### Mounting the saw blade (figure 3).

Remove the two hexagon nuts on the stroke rod with the open-end wrench.

Remove the clamping plate.

Mount the saw blade and clamping plate onto the stroke rod.

Tighten the hexagon nuts again.



## Adjustments.

**⚠ WARNING** Before mounting or replacing cutting tool or accessories, pull the power plug. This preventive safety measure rules out the danger of injuries through accidental starting of the power tool.

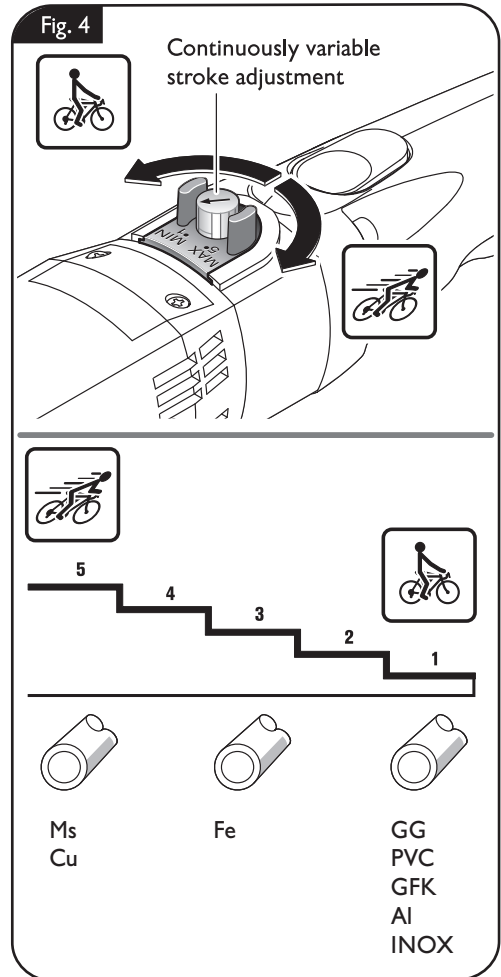
### Setting the stroke rate (ASTxe649-1 (\*\*)) (figure 4).

Set the required stroke rate according to the material being worked.

The stroke rate can be preset in 5 steps with the control knob for continuously variable stroke adjustment.

High stroke rate: For cutting steel.

Low stroke rate: For cutting aluminum and plastic.



## Working instructions.

**⚠ WARNING** Before mounting or replacing cutting tool or accessories, pull the power plug. This preventive safety measure rules out the danger of injuries through accidental starting of the power tool.

**!** For each job, use only the FEIN application tool released and intended for the respective application.

### Switching on and off (figure 5).

**⚠ WARNING** Check the power supply cable and the plug for damage.

**⚠ CAUTION** Always hold the power tool firmly. Otherwise, you could lose control over the power tool.

**!** Guide the power tool toward the work piece only when switched on.

Guide the power tool uniformly and with light feed in the cutting direction. Excessive feed considerably reduces the tool life of the application tools.

To increase the tool life of the saw blade when cutting metal, it is recommended to use a lubricant via the lubricating device in the gearcase:

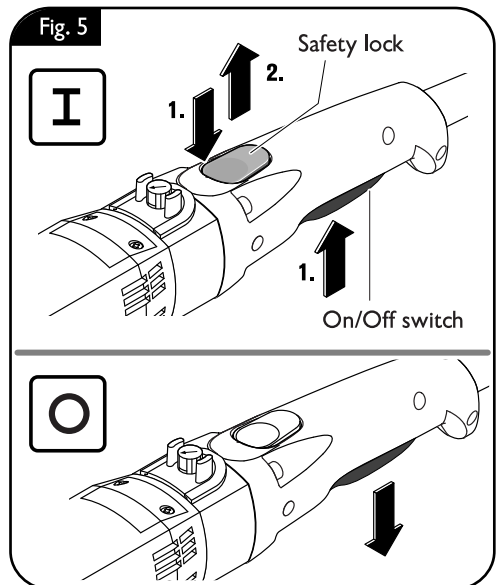
- For cuts in steel sheet: cutting oil
- For cuts in aluminum: petroleum.

### Switching on without lock-on function:

Press the safety lock and the On/Off switch (I) at the same time. Release the safety lock again.

### Switching off:

Release the On/Off switch (O).

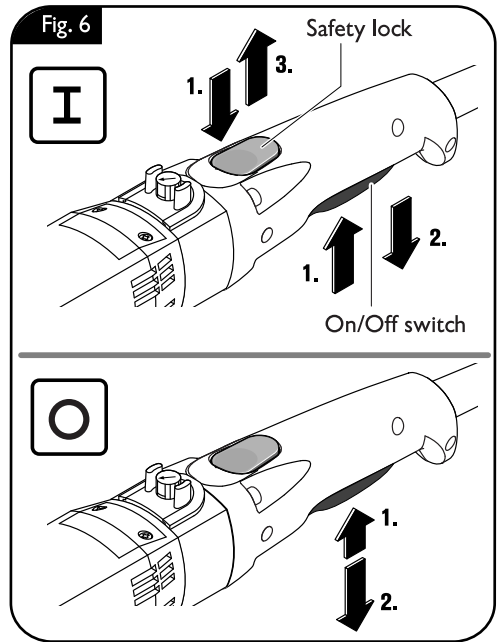


**Switching on with lock-on function:**

Press the safety lock and the On/Off switch (I) at the same time. Release the On/Off switch first, and then the safety lock.

**Switching off when locked on:**

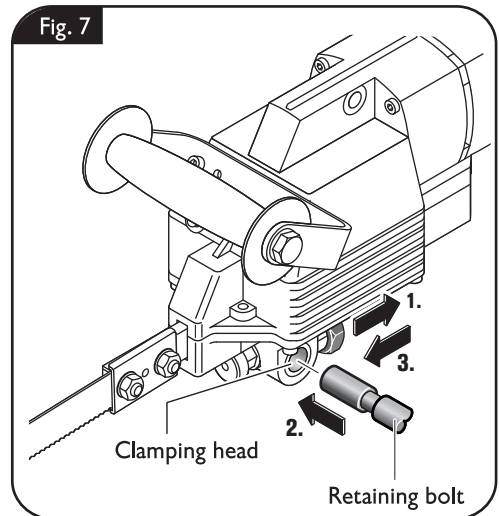
Press the On/Off switch and then release it (O).

**Using the recommended clamping devices (figure 7).****Pipe clamp 9 07 02 001 00 1**

For pipes with diameters to 159 mm, use the pipe clamp 9 07 02 001 00 1.

- Place the clamping chain around the work piece and insert the hooks of the grabber in the clamping chain.
- Tension the chain with the pipe-clamp handle.
- Mount the hacksaw to the retaining bolt.

The clamping head is readjustable for saw cuts and can be used for angle cuts.





### **Pipe clamp 9 07 02 004 00 6**

For large pipes with diameters from 100 mm to 325 mm, use the pipe clamp 9 07 02 004 00 6 as well as saw blades with lengths of 500 mm or 600 mm, and a thickness of 2 mm. With the extension chain 3 02 31 003 00 3 (bolts 3 02 16 130 00 4), pipes with diameters to 440 mm can also be cut.

### **Saw blade guide 9 06 06 002 00 9**

When cutting pipes with diameters to 325 mm with the 1.6 mm thick and 530 mm long saw blade, use the saw blade guide 9 06 06 002 00 9.

- With the auxiliary handle removed, mount the saw blade guide to the mounting hole of the gear head.

### **Pipe clamp 9 07 02 003 00 8**

To cut profiles (T- and I-beam stock) to a width of 310 mm and a height of 550 mm, use the pipe clamp 9 07 02 003 00 8. Its design corresponds to that of a parallel vice. The clamping jaws and the clamping head are adjustable.

### **Pipe clamp 9 07 02 005 00 0**

When cutting pipes and round stock with outside diameters from 80 to 400 mm, use the clamp and feed device 9 07 02 005 00 0 to guide the hacksaw. A safety clutch limits the duration that the saw blade is engaged and thus increases tool life. For proper handling, please refer to Instruction Manual 3 41 00 898 06 6.

### **Free-hand support 3 27 14 062 02 3**

To saw materials such as corrugated sheet, use the free-hand support 3 27 14 062 02 3.

Remove the auxiliary handle and mount the free-hand support to the hacksaw via the clamping head and the two gear head mounting holes for the auxiliary handle. The saw blade goes through the opening.

---

## Repair and customer service.

---

**⚠ WARNING** Before mounting or replacing cutting tool or accessories, pull the power plug. This preventive safety measure rules out the danger of injuries through accidental starting of the power tool.

### Exchangeable parts

If required, you can change the following parts yourself:

Application tools, auxiliary handle

### Service.

**⚠ WARNING** Have maintenance carried out only through qualified personnel. Incorrectly mounted leads and components can cause serious injuries. Have the required service carried out only through a FEIN customer service agent.

Products that have come into contact with asbestos may not be sent in for repair. Dispose of products contaminated with asbestos according to the applicable country-specific regulations for such disposal.

The current spare parts list for this power tool can be found in the Internet at [www.fein.com](http://www.fein.com).

### Cleaning.

**⚠ WARNING** Prior to any cleaning or maintenance, disconnect the power tool from the power supply in order to avoid accidents.

**⚠ WARNING** When using in environments with conductive dust in the air, such as when working metals, this dust can settle in the interior of the power tool. This can impair the total insulation of the power tool. Therefore, regularly blow out the interior of the power tool from outside via the ventilation openings with dry, oil-free compressed air; always wear eye protection when doing this. For additional protection, connect a residual current device (RCD) on the line side.

**⚠ CAUTION** Do not attempt to clean clogged or dirty ventilation openings of the power tool with pointed metal objects; use nonmetal tools or objects if necessary.

**⚠ CAUTION** Do not use cleaning agents and solvents that can cause damage to plastic parts. These include: Gasoline, carbon-tetrachloride, chloric solvents, ammonia and domestic cleaning agents that contain ammonia.

**⚠ CAUTION** When the machine's power supply cord is damaged, it must be replaced by the manufacturer or their representative.

---

## Warranty and liability.

---

The warranty for the product is valid in accordance with the legal regulations in the country where it is marketed. In addition, FEIN also provides a guarantee in accordance with the FEIN manufacturer's warranty declaration.

Not all accessories described or shown in this instruction manual will be included with your power tool.

---

## Environmental protection, disposal.


---

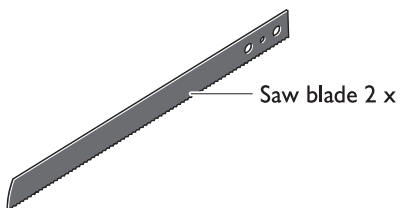
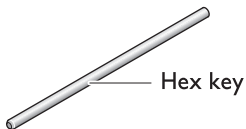
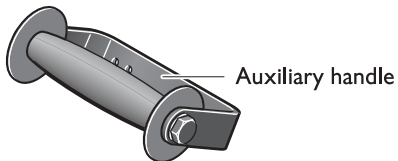
Packaging, worn out power tools and accessories should be sorted for environmental-friendly recycling.

For further information, please contact your specialist shop.

### Provided accessories (figure 8).

Fig. 8


 Pan head screws 2 x



## Pour votre sécurité.

**⚠ AVERTISSEMENT Lire tous les avertissements de sécurité, les instructions, les illustrations et les spécifications fournis avec cet outil électrique.** Ne pas suivre les instructions énumérées ci-dessous peut provoquer un choc électrique, un incendie et/ou une blessure sérieuse.

**Conserver tous les avertissements et toutes les instructions pour pouvoir s'y reporter ultérieurement.**

 Ne pas utiliser cet outil électrique avant d'avoir soigneusement lu et parfaitement compris cette notice d'utilisation y compris les figures, les spécifications, les consignes de sécurité ainsi que les indications marquées par DANGER, AVERTISSEMENT et ATTENTION.

N'utiliser cet outil électrique que pour les travaux pour lesquels il a été conçu par FEIN. N'utiliser que des outils de travail et accessoires autorisés par FEIN.

De même, respectez les dispositions concernant la prévention des accidents du travail en vigueur dans le pays en question.

Le non-respect des instructions de sécurité se trouvant dans la documentation mentionnée peut entraîner un choc électrique, un incendie et/ou de graves blessures.

Bien garder cette notice d'utilisation en vue d'une utilisation ultérieure ; elle doit être jointe à l'appareil en cas de transmission ou de vente à une tierce personne.

**GARDER SOIGNEUSEMENT CES INSTRUCTIONS DE SECURITE.**

Le terme « outil électrique » dans les consignes de sécurité fait référence à votre outil électrique alimenté par le secteur (avec cordon d'alimentation) ou votre outil fonctionnant sur batterie (sans cordon d'alimentation).

## Instructions générales de sécurité.

### 1) Sécurité de la zone de travail

**a) Conserver la zone de travail propre et bien éclairée.** Les zones en désordre ou sombres sont propices aux accidents.

**b) Ne pas faire fonctionner les outils électriques en atmosphère explosive, par exemple en présence de liquides inflammables, de gaz ou de poussières.** Les outils électriques produisent des étincelles qui peuvent enflammer les poussières ou les fumées.

**c) Maintenir les enfants et les personnes présentes à l'écart pendant l'utilisation de l'outil électrique.** Les distractions peuvent vous faire perdre le contrôle de l'outil.

### 2) Sécurité électrique

**a) Il faut que les fiches de l'outil électrique soient adaptées au socle. Ne jamais modifier la fiche de quelque façon que ce soit. Ne pas utiliser d'adaptateurs avec des outils électriques à branchement de terre.** Des fiches non modifiées et des socles adaptés réduisent le risque de choc électrique.

**b) Éviter tout contact du corps avec des surfaces reliées à la terre telles que les tuyaux, les radiateurs, les cuisinières et les réfrigérateurs.** Il existe un risque accru de choc électrique si votre corps est relié à la terre.

**c) Ne pas exposer les outils électriques à la pluie ou à des conditions humides.** La pénétration d'eau à l'intérieur d'un outil électrique augmente le risque de choc électrique.

**d) Ne pas maltraiter le cordon. Ne jamais utiliser le cordon pour porter, tirer ou débrancher l'outil électrique. Maintenir le cordon à l'écart de la chaleur, du lubrifiant, des arêtes vives ou des parties en mouvement.** Des cordons endommagés ou emmêlés augmentent le risque de choc électrique.

**e) Lorsqu'on utilise un outil électrique à l'extérieur, utiliser un prolongateur adapté à l'utilisation extérieure.** L'utilisation d'un cordon adapté à l'utilisation extérieure réduit le risque de choc électrique.

f) Si l'usage d'un outil électrique dans un emplacement humide est inévitable, utiliser une alimentation protégée par un dispositif à courant différentiel résiduel (RCD). L'usage d'un RCD réduit le risque de choc électrique.

### 3) Sécurité des personnes

a) Rester vigilant, regarder ce que vous êtes en train de faire et faire preuve de bon sens dans votre utilisation de l'outil électrique. Ne pas utiliser un outil électrique lorsque vous êtes fatigué ou sous l'emprise de drogues, de l'alcool ou de médicaments. Un moment d'inattention en cours d'utilisation d'un outil électrique peut entraîner des blessures graves.

b) Utiliser un équipement de protection individuelle. Toujours porter une protection pour les yeux. Les équipements de protection individuelle tels que les masques contre les poussières, les chaussures de sécurité antidérapantes, les casques ou les protections auditives utilisés pour les conditions appropriées réduisent les blessures.

c) Éviter tout démarrage intempestif. S'assurer que l'interrupteur est en position arrêt avant de brancher l'outil au secteur et/ou au bloc de batteries, de le ramasser ou de le porter. Porter les outils électriques en ayant le doigt sur l'interrupteur ou brancher des outils électriques dont l'interrupteur est en position marche est source d'accidents.

d) Retirer toute clé de réglage avant de mettre l'outil électrique en marche. Une clé laissée fixée sur une partie tournante de l'outil électrique peut donner lieu à des blessures.

e) Ne pas se précipiter. Garder une position et un équilibre adaptés à tout moment. Cela permet un meilleur contrôle de l'outil électrique dans des situations inattendues.

f) S'habiller de manière adaptée. Ne pas porter de vêtements amples ou de bijoux. Garder les cheveux et les vêtements à distance des parties en mouvement. Des vêtements amples, des bijoux ou les cheveux longs peuvent être pris dans des parties en mouvement.

g) Si des dispositifs sont fournis pour le raccordement d'équipements pour l'extraction et la récupération des poussières, s'assurer qu'ils sont connectés et correctement utilisés. Utiliser des collecteurs de poussière peut réduire les risques dus aux poussières.

h) Rester vigilant et ne pas négliger les principes de sécurité de l'outil sous prétexte que vous avez l'habitude de l'utiliser. Une fraction de seconde d'inattention peut provoquer une blessure grave.

### 4) Utilisation et entretien de l'outil électrique

a) Ne pas forcer l'outil électrique. Utiliser l'outil électrique adapté à votre application. L'outil électrique adapté réalise mieux le travail et de manière plus sûre au régime pour lequel il a été construit.

b) Ne pas utiliser l'outil électrique si l'interrupteur ne permet pas de passer de l'état de marche à arrêt et inversement. Tout outil électrique qui ne peut pas être commandé par l'interrupteur est dangereux et il faut le réparer.

c) Débrancher la fiche de la source d'alimentation et/ou enlever le bloc de batteries, s'il est amovible, avant tout réglage, changement d'accessoires ou avant de ranger l'outil électrique. De telles mesures de sécurité préventives réduisent le risque de démarrage accidentel de l'outil électrique.

d) Conserver les outils électriques à l'arrêt hors de la portée des enfants et ne pas permettre à des personnes ne connaissant pas l'outil électrique ou les présentes instructions de le faire fonctionner. Les outils électriques sont dangereux entre les mains d'utilisateurs novices.

e) Observer la maintenance des outils électriques et des accessoires. Vérifier qu'il n'y a pas de mauvais alignement ou de blocage des parties mobiles, des pièces cassées ou toute autre condition pouvant affecter le fonctionnement de l'outil électrique. En cas de dommages, faire réparer l'outil électrique avant de l'utiliser. De nombreux accidents sont dus à des outils électriques mal entretenus.

- f) Garder affûtés et propres les outils permettant de couper.** Des outils destinés à couper correctement entretenus avec des pièces coupantes tranchantes sont moins susceptibles de bloquer et sont plus faciles à contrôler.
- g) Utiliser l'outil électrique, les accessoires et les lames etc., conformément à ces instructions, en tenant compte des conditions de travail et du travail à réaliser.** L'utilisation de l'outil électrique pour des opérations différentes de celles prévues peut donner lieu à des situations dangereuses.

**h) Il faut que les poignées et les surfaces de préhension restent sèches, propres et dépourvues d'huiles et de graisses.** Des poignées et des surfaces de préhension glissantes rendent impossibles la manipulation et le contrôle en toute sécurité de l'outil dans les situations inattendues.

## 5) Maintenance et entretien

**a) Faire entretenir l'outil électrique par un réparateur qualifié utilisant uniquement des pièces de rechange identiques.** Cela assure le maintien de la sécurité de l'outil électrique.

## Instructions particulières de sécurité.

**Tenir l'outil par les surfaces de préhension isolées, lors de la réalisation d'une opération au cours de laquelle l'organe de coupe peut entrer en contact avec un câblage non apparent ou son propre cordon d'alimentation.** Le contact avec un fil « sous tension » peut également mettre « sous tension » les parties métalliques exposées de l'outil électrique et provoquer un choc électrique sur l'opérateur.

**Garder les mains à distance de la lame. Ne pas passer les mains sous la lame.** Le contact avec la lame peut entraîner des blessures. La lame de scie peut chauffer énormément durant le travail.

**Toujours porter un équipement de protection. En fonction de l'application, porter un écran facial ou des lunettes de sécurité. Utiliser une protection auditive.** Les lunettes de sécurité doivent pouvoir protéger les yeux contre les particules projetées lors de toutes sortes de travaux. Une exposition permanente au bruit intense peut provoquer une perte d'audition.

**Utilisez des pinces ou un autre moyen pratique pour bloquer et soutenir la pièce sur une plate-forme stable.** Tenir la pièce à la main ou contre votre corps la rend instable et peut entraîner une perte de contrôle.

**Bloquez la pièce à travailler.** Une pièce à travailler serrée par un dispositif de serrage est fixée de manière plus sûre que si elle est seulement tenue de la main.

**Il est interdit de visser ou de riveter des plaques ou des repères sur l'outil électrique.**

Une isolation endommagée ne présente aucune protection contre une électrocution. Utilisez des autocollants.

**N'utilisez pas des accessoires qui n'ont pas été spécialement conçus ou autorisés par le fabricant de l'outil électrique.** Le seul fait qu'un accessoire puisse être monté sur votre outil électrique ne garantit pas une utilisation sans risque.

**Nettoyez régulièrement les ouïes de ventilation de l'outil électrique avec des outils non-métalliques.** La ventilation du moteur aspire la poussière à l'intérieur du carter. Une trop grande quantité de poussière de métal accumulée peut provoquer des incidents électriques.

**Avant la mise en service, assurez-vous que le câble de raccordement et la fiche sont en parfait état.**

**Recommandation : Faites toujours fonctionner l'outil électrique sur un réseau électrique équipé d'un disjoncteur différentiel 30 mA max.**

## Maniement de poussières nocives.

**⚠ AVERTISSEMENT** Lors du travail avec des outils, par ex. lors du ponçage, polissage, sciage ou d'autres opérations enlevant du matériau, des poussières sont générées qui peuvent être nocives pour la santé, auto-inflammables ou explosives.

Toucher ou aspirer certaines poussières peut causer des réactions allergiques et/ou des maladies respiratoires, un cancer, des malformations à la naissance ou autres anomalies de reproduction auprès de l'utilisateur ou de personnes se trouvant à proximité.

Quelques exemples de tels matériaux et des produits chimiques qu'ils contiennent dont l'usinage génère des poussières nocives :

- l'amiante et les matériaux contenant de l'amiante ;
- peintures contenant du plomb, certains bois tels que le bois de chêne et de hêtre ;
- minéraux et métal ;
- les particules de silicate contenues dans les briques, le béton et autres matériaux contenant de la roche ;
- les solvants contenus dans les vernis et peintures ;
- l'arsenic, le chrome et d'autres lazures ;
- produits pour la lutte contre les vermines sur la coque de bateaux et de bâtiments ;
- poussières d'aciers fins, poussières de métaux et poussières de métaux non-ferreux.

Pour minimiser la résorption indésirable de ces matériaux :

- Utilisez une aspiration adaptée à la poussière générée.
- Utilisez des équipements personnels de protection tels que par exemple un masque anti-poussière de la classe filtre P2.
- Veillez à bien aérer la zone de travail.

Le risque causé par le fait d'aspirer des poussières dans les poumons dépend de la fréquence à laquelle ces matériaux sont travaillés. Les matériaux contenant de l'amiante ne doivent être travaillés que par des personnes qualifiées.

**⚠ ATTENTION** Les poussières de bois et les poussières de métaux légers peuvent causer une auto-inflammation ou une explosion.

Des mélanges chauds de poussières de ponçage contenant des résidus de vernis, de polyuréthane ou de produits chimiques dans le sac à poussières en papier ou dans le filtre de l'aspirateur peuvent s'enflammer dans des conditions défavorables tels que projection d'étincelles lors du ponçage de métaux, soleil direct permanent ou température ambiante élevée. Pour prévenir ces conditions :

- Évitez la surchauffe des matériaux usinés et de l'outil électrique.
- Videz le bac de récupération des poussières à temps.
- Respectez les indications de travail du fabricant du matériau.
- Respectez les règlements en vigueur dans votre pays spécifiques aux matériaux à traiter.

## Vibrations mains-bras.

**⚠ AVERTISSEMENT** Des vibrations mains-bras sont générées lors du travail avec cet outil électrique. Celles-ci peuvent entraîner des effets néfastes sur la santé.

**⚠ AVERTISSEMENT** La valeur réelle des vibrations lors de l'utilisation de l'outil électrique peut dévier des valeurs indiquées, en fonction de l'utilisation de l'outil électrique.

**⚠ AVERTISSEMENT** Pour protéger l'opérateur, des mesures de sécurité doivent être déterminées sur la base de la sollicitation vibratoire estimée pendant l'utilisation effective.

L'amplitude d'oscillation indiquée dans ces instructions d'utilisation a été mesurée conformément à la norme EN 62841 et peut être utilisée pour une comparaison d'outils électriques. Elle est également appropriée pour une estimation préliminaire de la sollicitation vibratoire.

L'amplitude d'oscillation représente les utilisations principales de l'outil électroportatif. Si l'outil électrique est cependant utilisé pour d'autres applications, avec d'autres outils de travail ou avec un entretien non approprié, l'amplitude d'oscillation peut être différente. Ceci peut augmenter considérablement la sollicitation vibratoire pendant toute la durée de travail.

Pour une estimation précise de la sollicitation vibratoire, il est recommandé de prendre aussi en considération les espaces de temps pendant lesquels l'appareil est éteint ou en marche, mais pas vraiment utilisé. Ceci peut réduire considérablement la sollicitation vibratoire pendant toute la durée de travail. Déterminez des mesures de protection supplémentaires pour protéger l'utilisateur des effets des vibrations, telles que par exemple : Entretien de l'outil électrique et des outils de travail, maintenir les mains chaudes, organisation des opérations de travail.

**Valeurs d'émission pour niveau sonore et vibration** (Indication à deux chiffres conformément à la norme ISO 4871)

Emission acoustique	ASTx649-1 (**)	ASTxe649-1 (**)
Mesure réelle (A) du niveau de pression acoustique sur le lieu de travail $L_{pA}$ (re 20 $\mu$ Pa), en décibel	89	89
Incertitude $K_{pA}$ , en décibel	3	3
Mesure réelle (A) du niveau d'intensité acoustique pondéré $L_{WA}$ (re 1 pW), en décibel	100	100
Incertitude $K_{WA}$ , en décibel	3	3
Mesure réelle (C) du niveau max. de pression acoustique sur le lieu de travail $L_{pCpeak}$ en décibel	102	102
Incertitude $K_{pCpeak}$ en décibel	3	3
<b>Vibration</b>		
valeur de vibration moyenne pour le sciage		
- $m/s^2$	7.0	7.0
- $ft/s^2$	22.9	22.9
Incertitude $K$ , en		
- $m/s^2$	1.5	1.5
- $ft/s^2$	4.9	4.9

**REMARQUE :** La somme de la valeur d'émission mesurée et de l'incertitude constitue la limite supérieure des valeurs qui peuvent apparaître pendant des mesurages.

 Porter une protection acoustique !

Valeurs de mesure mesurées conformément à la norme correspondante du produit.



## Câble de rallonge.

**⚠ AVERTISSEMENT** Au cas où une rallonge serait nécessaire, la longueur ainsi que la section du conducteur de celle-ci doivent être appropriées à l'utilisation afin d'éviter une baisse de tension dans la rallonge, une perte de puissance et une surchauffe de l'outil électrique. Sinon la rallonge et l'outil électrique présentent des dangers électriques et l'efficacité du travail est entravée.

**Dimensions recommandées pour câbles de rallonge pour une tension de service de 120 V courant alternatif monophasé si seulement ASTx649-1 (\*\*)/ASTxe649-1 (\*\*) est connecté :**

Longueur du câble en pieds			Longueur du câble en m		
≤ 100	100 - 200	200 - 300	≤ 30	30 - 60	60 - 100
Dimension min. du conducteur en format américain (A.W.G.)			Section min. du conducteur, mm <sup>2</sup>		
16	14	12	1.5	2.5	4

## Conception de l'outil électrique :
















scie sauteuse électroportative, conçue comme outillage professionnel pour scier les pièces rondes et autres formes en métal, matières plastiques et ciment à l'abri des intempéries avec les outils de travail et les accessoires autorisés par FEIN.

## Fonctionnement de l'outil électrique avec des générateurs de courant.

**!** Cet outil électrique est également conçu pour fonctionner sur des groupes électrogènes d'une puissance suffisante correspondant à la norme ISO 8528, classe de modèle G2. Cette norme n'est pas respectée si le facteur de distorsion harmonique dépasse 10 %. En cas de doute, informez-vous sur le groupe électrogène utilisé.

**⚠ AVERTISSEMENT** Il est interdit de faire fonctionner l'outil électrique sur des générateurs de courant dont la tension à vide dépasse la valeur de tension indiquée sur la plaque signalétique de l'outil électrique.

## Symboles.

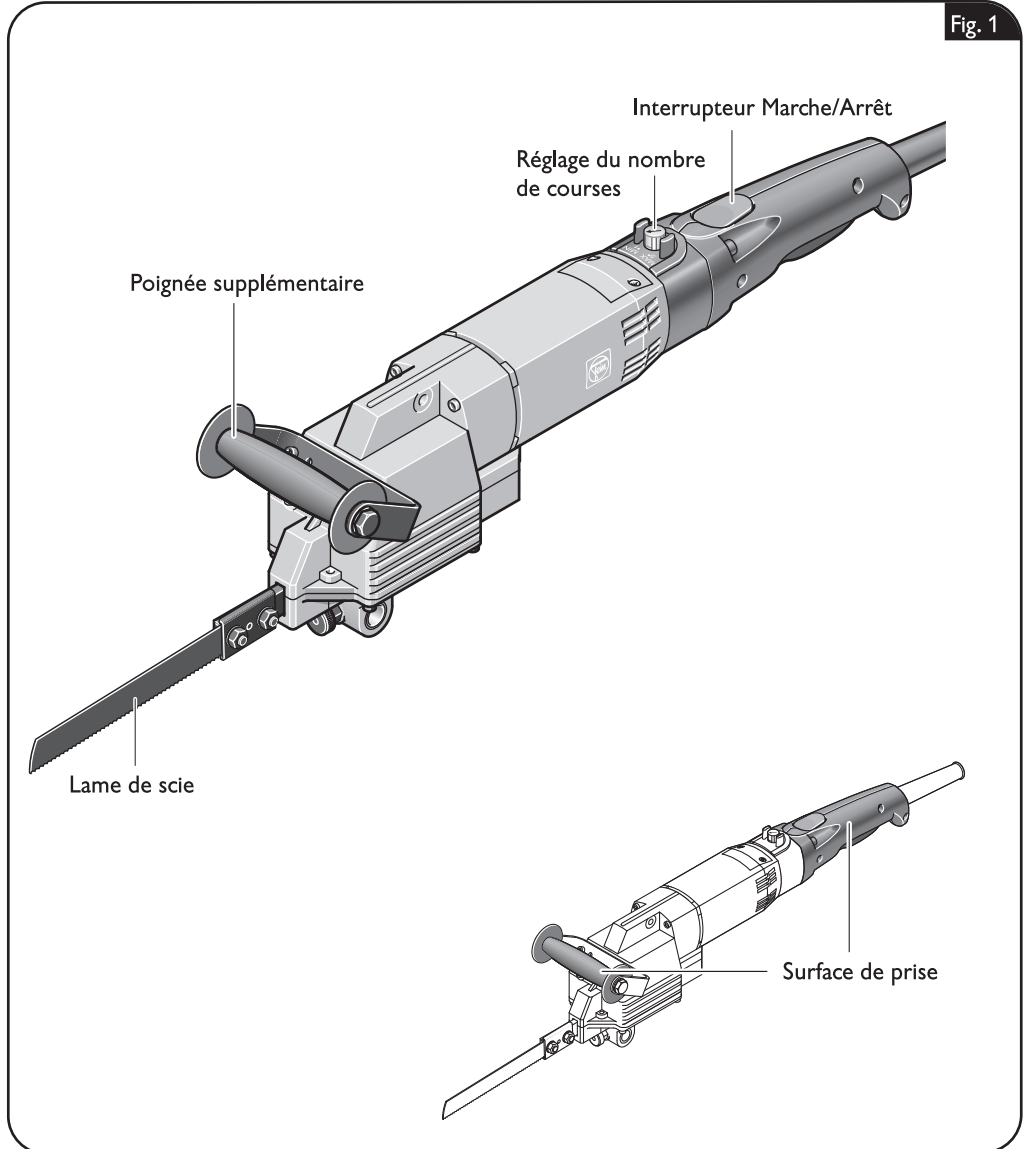
Symbole, signe	Explication
	Lire impérativement les documents ci-joints tels que la notice d'utilisation et les instructions générales de sécurité.
	Suivre les indications données dans le texte ou la représentation graphique ci-contre !
	Avant d'effectuer ce travail, retirez la fiche de la prise de courant. Sinon, il y a risque de blessures dû à un démarrage non intentionné de l'outil électrique.
	Ne pas toucher la lame de scie.
	Lors des travaux, porter une protection oculaire.
	Lors des travaux, porter une protection acoustique.
	Lors des travaux, utiliser un protège-main.
	Mise en fonctionnement
	Arrêt
	Suivre les indications données dans le texte ci-contre !
	Une surface qui peut être touchée est très chaude et donc dangereuse.
	Ce symbole confirme la certification de ce produit aux Etats-Unis et au Canada.
	Cette indication met en garde contre une situation dangereuse imminente. Une mauvaise manipulation peut entraîner de graves blessures ou la mort.
	Cette indication indique une situation éventuellement dangereuse pouvant entraîner de graves blessures ou la mort.
	Cette indication met en garde contre une situation potentiellement dangereuse qui peut entraîner des blessures.
	Trier les outils électriques ainsi que tout autre produit électrotechnique et électrique et les déposer à un centre de recyclage respectant les directives relatives à la protection de l'environnement.
	Produit avec double isolation ou isolation renforcée
~ ou a. c.	Courant alternatif
1~	Courant alternatif, monophasé
(**)	peut contenir des chiffres ou des lettres
(Ax - Zx)	Marquage interne

<b>Signe</b>	<b>Unité nationale</b>	<b>Explication</b>
$n_0$	rpm; /min; $\text{min}^{-1}$ ; r/min	Nombre de courses à vide
$P$	W	Unité de mesure pour la puissance électrique
	°	Unité de mesure pour la largeur d'angle
$U$	V	Unité de mesure pour la tension électrique
$f$	Hz	Unité de mesure pour la fréquence
$I$	A	Unité de mesure pour l'intensité du courant électrique
$m$	kg, lbs	Unité de mesure pour la masse
$l$	ft, in	Unité de mesure pour longueur, largeur, hauteur, profondeur, diamètre ou filetage
$\emptyset$	ft, in	Diamètre d'un élément
$K...$		Incertitude
$a$	$\text{m/s}^2$	Valeur d'émission vibratoire selon EN 62841 (somme vectorielle des trois directions)
	m, s, kg, A, mm, V, W, Hz, N, °C, dB, min, $\text{m/s}^2$	Unités de base et unités dérivées du système international <b>SI</b> .

## Description technique et spécification.

**⚠ AVERTISSEMENT** Avant de commencer les travaux de montage ou avant de changer les outils de travail et les accessoires, retirer la fiche de secteur. Cette mesure de sécurité préventive exclut un danger de blessure causé par un démarrage non intentionné de l'outil électrique.

Il se peut que seule une partie des accessoires décrits ou représentés dans cette notice d'utilisation soit fournie avec l'outil électrique.



Type	AStx649-1 (**)	AStxe649-1 (**)
Référence	7 234 ...	7 234 ...
Courant absorbé	6.8 A	6.8 A
Puissance utile	480 W	480 W
Nombre de courses à vide	400 tr/min	100 – 400 tr/min
Diamètre extérieur max.		
– de tuyaux	13 in 325 mm	13 in 325 mm
– avec dispositif de serrage et rallonge de la chaîne	17 1/4 in 440 mm	17 1/4 in 440 mm
Dimension max. de la pièce		
– Largeur	11 1/4 in 290 mm	11 1/4 in 290 mm
– Hauteur	22 in 550 mm	22 in 550 mm
Poids suivant EPTA-Procédure 01	13.4 lbs (6.1 kg)	14.1 lbs (6.4 kg)
Classe de protection	□/II	□/II

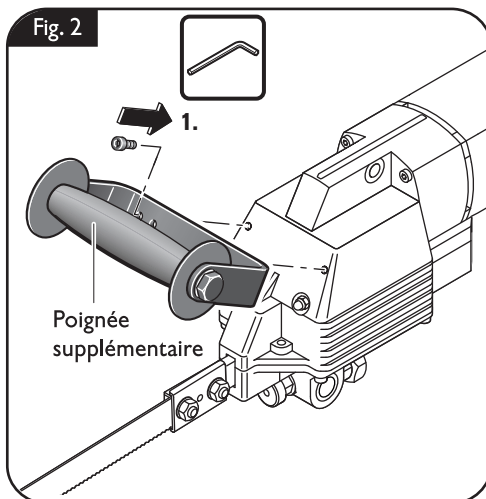
## Indications de montage.

**⚠ AVERTISSEMENT** Avant de commencer les travaux de montage ou avant de changer les outils de travail et les accessoires, retirer la fiche de secteur. Cette mesure de sécurité préventive exclut un danger de blessure causé par un démarrage non intentionné de l'outil électrique.

### Montage de la poignée supplémentaire (figure 2).

A l'aide des vis cylindriques, serrer la poignée supplémentaire sur la tête d'engrenage.

Serrer les vis cylindriques à l'aide de la clé mâle coudée pour vis à six pans creux.



## Changement d'outil.

**⚠ AVERTISSEMENT** Avant de commencer les travaux de montage ou avant de changer les outils de travail et les accessoires, retirer la fiche de secteur. Cette mesure de sécurité préventive exclut un danger de blessure causé par un démarrage non intentionné de l'outil électrique.

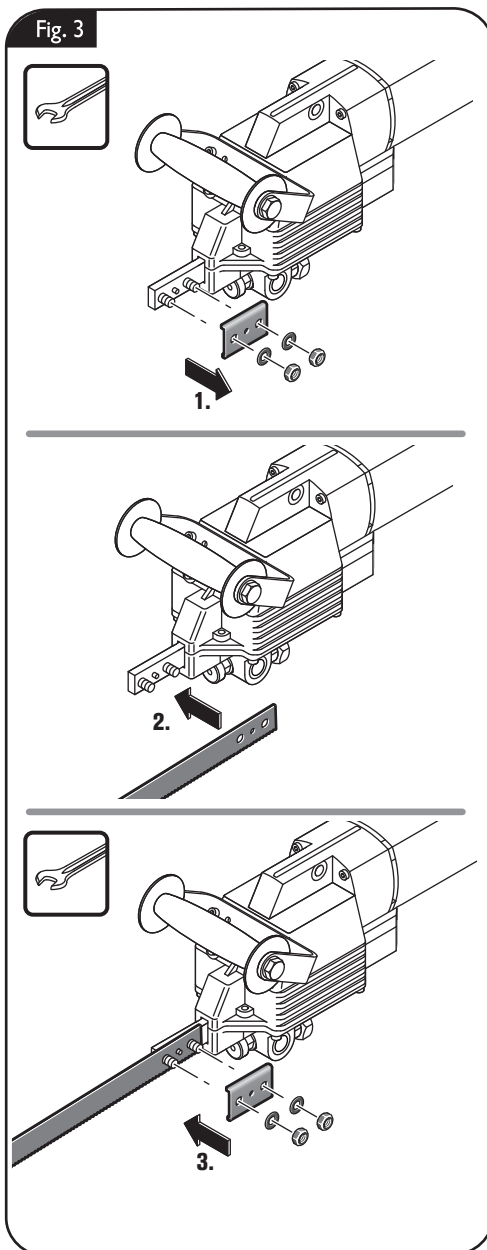
### Montage de la lame de scie (figure 3).

A l'aide de la clé à fourche, retirer les deux écrous six pans se trouvant sur le porte-lame.

Retirer la plaque de compression.

Monter la lame de scie et la plaque de compression sur le porte-lame.

Resserrer les écrous à six pans.



## Réglages.

**⚠ AVERTISSEMENT** Avant de commencer les travaux de montage ou avant de changer les outils de travail et les accessoires, retirer la fiche de secteur. Cette mesure de sécurité préventive exclut un danger de blessure causé par un démarrage non intentionné de l'outil électrique.

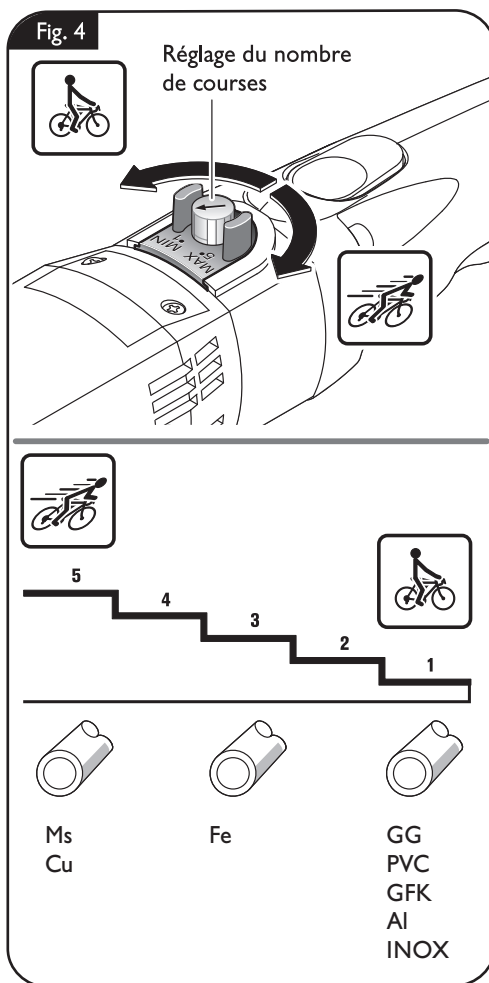
### Réglage du nombre de courses (ASTxe649-1 (\*\*)) (figure 4).

Sélectionner le nombre de course nécessaire en fonction du matériau à travailler.

Le bouton de réglage du nombre de courses permet de présélectionner le nombre de courses en 5 étapes.

Nombre de courses élevé : pour travailler l'acier.

Nombre de courses réduit : pour travailler l'aluminium et les matières plastiques.





## Indications pour le travail.

**⚠ AVERTISSEMENT** Avant de commencer les travaux de montage ou avant de changer les outils de travail et les accessoires, retirer la fiche de secteur. Cette mesure de sécurité préventive exclut un danger de blessure causé par un démarrage non intentionné de l'outil électrique.

**!** N'utiliser que des outils de travail FEIN conçus et autorisés pour l'utilisation correspondante.

### Mise en fonctionnement/Arrêt (figure 5).

**⚠ AVERTISSEMENT** Assurez-vous que le câble de raccordement et la fiche sont en parfait état.

**⚠ ATTENTION** **Toujours bien tenir l'outil électroportatif.** Vous risquez sinon de perdre le contrôle de l'outil électrique.

**!** Ne guider l'outil électroportatif contre la pièce à travailler que lorsque l'appareil est en marche.

Guidez l'outil électrique uniformément et en effectuant une avance modérée dans le sens de la coupe. Une avance trop forte réduit considérablement la durée de vie des accessoires.

Pour augmenter la durée de vie de la lame de scie lors du travail de métaux, il est recommandé d'utiliser un lubrifiant au moyen du dispositif de lubrification intégré dans le carter d'engrenage.

- pour les coupes dans la tôle d'acier : huile de coupe,
- pour les coupes dans l'aluminium : pétrole lampant.

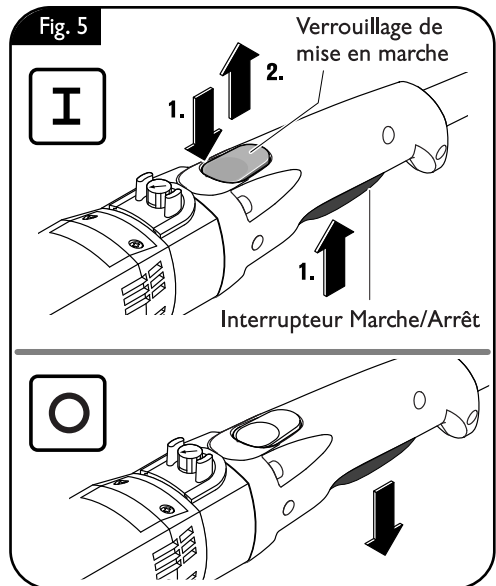
### Mise en marche sans verrouillage :

Appuyez simultanément sur le verrouillage de mise en marche et l'interrupteur Marche/Arrêt (I).

Relâchez le verrouillage de mise en marche.

### Arrêt :

Relâchez l'interrupteur Marche/Arrêt (O).



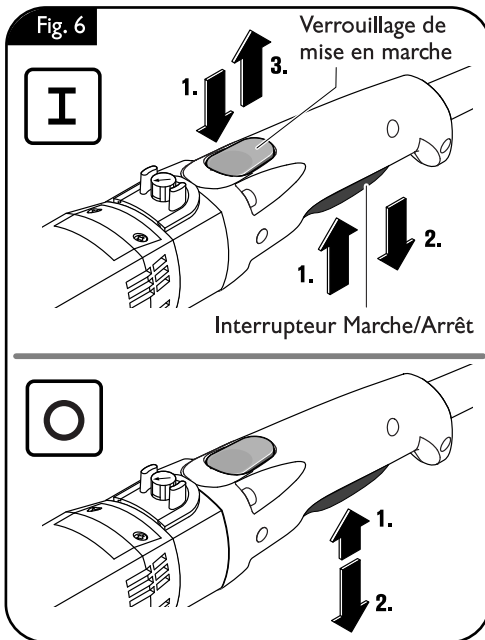
**Mise en marche avec verrouillage :**

Appuyez simultanément sur le verrouillage de mise en marche et l'interrupteur Marche/Arrêt (I).

Relâchez d'abord l'interrupteur Marche/Arrêt, puis le verrouillage de mise en marche.

**Eteindre lorsque la touche est bloquée :**

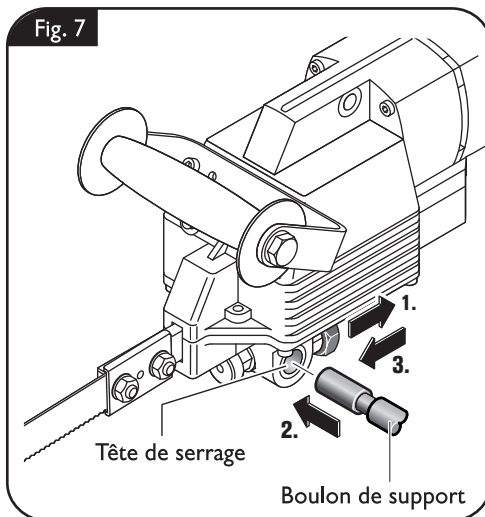
Appuyez d'abord sur l'interrupteur Marche/Arrêt, puis relâchez-le (O).

**Utiliser les dispositifs de serrage recommandés (figure 7).****Dispositif de serrage 9 07 02 001 00 1**

Pour les tuyaux d'un diamètre allant jusqu'à 159 mm, utilisez le dispositif de serrage 9 07 02 001 00 1.

- Mettez la chaîne de serrage autour de la pièce à travailler et accrochez les crochets de l'œillet dans la chaîne.
- Serrez la chaîne avec le guidon.
- Placez la scie sauteuse sur le boulon de support.

La tête de serrage est réglable et orientable pour les coupes.



### **Dispositif de serrage 9 07 02 004 00 6**

Pour les grands tuyaux d'un diamètre allant de 100 mm à 325 mm, utilisez le dispositif de serrage 9 07 02 004 00 6 ainsi que les lames de scie d'une longueur de 500 mm ou de 600 mm et d'une épaisseur de 2 mm. La rallonge de la chaîne 3 02 31 003 00 3 (boulon 3 02 16 130 00 4) permet de travailler des tuyaux d'un diamètre de 440 mm.

### **Guidage de la lame de scie 9 06 06 002 00 9**

Pour travailler des tuyaux d'un diamètre allant jusqu'à 325 mm avec la lame de scie d'une épaisseur de 1,6 mm et d'une longueur de 530 mm, utilisez le guidage de la lame 9 06 06 002 00 9.

- La poignée supplémentaire démontée, fixez le guidage de la lame au forage dans la tête d'engrenage de l'outil électrique.

### **Dispositif de serrage 9 07 02 003 00 8**

Pour travailler de profilés d'une largeur de 310 mm et d'une hauteur de 550 mm, utilisez le dispositif de serrage 9 07 02 003 00 8. Cette construction correspond à un étai parallèle. Les mâchoires de serrage et la tête de serrage sont réglables.

### **Dispositif de serrage 9 07 02 005 00 0**

Pour le tronçonnage de tuyaux et de matériaux ronds d'un diamètre extérieur situé entre 80 et 400 mm, utilisez le dispositif de serrage et d'avance 9 07 02 005 00 0 comme guidage de la scie sauteuse. Un accouplement à glissement limite la durée de pression de la lame de scie et en augmente donc la durée d'utilisation. Le maniement est expliqué dans la notice d'utilisation 3 41 00 898 06 6.

### **Appuie-main 3 27 14 062 02 3**

Lors du sciage de matériaux tels que de la tôle ondulé, utilisez l'appuie-main 3 27 14 062 02 3.

Démontez la poignée supplémentaire et attachez l'appuie-main sur le porte-lame et dans l'alsage se trouvant sur la face supérieure de la tête d'engrenage.

## Travaux d'entretien et service après-vente.

**⚠ AVERTISSEMENT** Avant de commencer les travaux de montage ou avant de changer les outils de travail et les accessoires, retirer la fiche de secteur. Cette mesure de sécurité préventive exclut un danger de blessure causé par un démarrage non intentionné de l'outil électrique.

### Pièces remplaçables.

Si nécessaire, vous pouvez vous-même remplacer les éléments suivants :

Accessoires, poignée supplémentaire

### Service après-vente.

**⚠ AVERTISSEMENT** Ne faire effectuer les travaux d'entretien que par des personnes qualifiées. Les câbles et éléments mal montés peuvent présenter des risques graves. Ne faire effectuer le service d'entretien nécessaire que par une station de service après-vente FEIN.

Les produits ayant été en contact avec de l'amiante ne doivent pas être réparés. Éliminez les produits contaminés par l'amiante conformément aux dispositions nationales relatives à l'élimination de déchets contenant de l'amiante.

Vous trouverez la liste actuelle des pièces de rechange pour cet outil électroportatif sur notre site [www.fein.com](http://www.fein.com).

### Nettoyage.

**⚠ AVERTISSEMENT** Afin d'éviter des accidents, débranchez l'outil électrique de l'alimentation en courant avant d'effectuer un nettoyage ou des travaux d'entretien ou de maintenance.

**⚠ AVERTISSEMENT** S'il y a de la poussière conductrice dans l'air lors de l'utilisation de l'outil, p. ex. lors du traitement de métaux, cette poussière peut se déposer à l'intérieur de l'outil électrique. La double isolation de l'outil électrique peut ainsi être endommagée. Soufflez alors régulièrement de l'extérieur de l'air comprimé sec exempt d'huile dans l'intérieur de l'outil électrique à travers les ouïes de ventilation ; utilisez toujours une protection oculaire. Pour une protection supplémentaire, placez un dispositif à courant différentiel résiduel (RCD) en amont.

**⚠ ATTENTION** N'essayez pas de nettoyer les orifices de ventilation à l'aide d'objets métalliques pointus ; utilisez des outils non-métalliques.

**⚠ ATTENTION** N'utilisez pas de détergents ou de solvants qui peuvent endommager les parties en matière plastique. Par exemple : l'essence, le tétrachlorure de carbone, solvants chlorés, l'ammoniaque et produits de nettoyage domestiques contenant de l'ammoniaque.

**⚠ ATTENTION** Si le câble d'alimentation de l'outil électrique est endommagé, le faire remplacer par le fabricant ou son représentant.

## Garantie.

La garantie du produit est valide conformément à la réglementation légale en vigueur dans le pays où le produit est mis sur le marché. Outre les obligations de garantie légale, les appareils FEIN sont garantis conformément à notre déclaration de garantie de fabricant.

Il se peut que seule une partie des accessoires décrits ou représentés dans cette notice d'utilisation soit fournie avec l'outil électrique.

## Protection de l'environnement, recyclage.

Rapportez les emballages, les outils électriques hors d'usage et les accessoires dans un centre de recyclage respectant les directives concernant la protection de l'environnement.

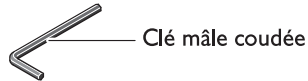
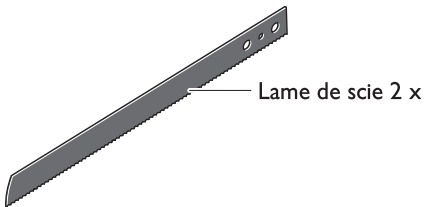
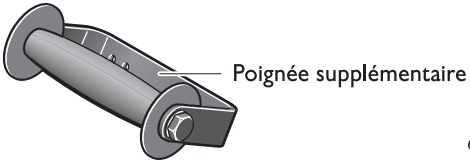
Pour plus de précisions, veuillez vous adresser à votre revendeur spécialisé.

## Accessoires fournis (figure 8).

Fig. 8




Vis cylindriques 2 x



## Para su seguridad.

**⚠ ADVERTENCIA** Lea íntegramente las advertencias de peligro, las instrucciones, las ilustraciones y las especificaciones entregadas con esta herramienta eléctrica. En caso de no atenerse a las instrucciones siguientes, ello puede ocasionar una descarga eléctrica, un incendio y/o una lesión grave.

**Guardar todas las advertencias de peligro e instrucciones para futuras consultas.**

 No utilice esta herramienta eléctrica sin haber leído antes con detenimiento y haber entendido por completo estas instrucciones de uso, inclusive las ilustraciones, especificaciones, reglas de seguridad, así como las indicaciones identificadas con PELIGRO, ADVERTENCIA y PRECAUCIÓN.

Solamente use esta herramienta eléctrica para realizar los trabajos que FEIN ha previsto para la misma. Únicamente utilice las herramientas y accesorios autorizados por FEIN.

Observe también las respectivas prescripciones contra accidentes de trabajo vigentes en su país.

En caso de no atenerse a las instrucciones de seguridad mencionadas en la documentación previamente citada, ello puede provocar una electrocución, incendio y/o lesión grave.

Guarde estas instrucciones de uso para posteriores consultas y entréguelas al usuario en caso de prestar o vender la máquina.

**GUARDAR ESTAS INSTRUCCIONES EN UN LUGAR SEGURO.**

El término “herramienta eléctrica” empleado en las siguientes instrucciones de seguridad se refiere a herramientas eléctricas de conexión a la red (con línea) y a herramientas eléctricas accionadas por batería (o sea, sin línea).

## Instrucciones generales de seguridad.

### 1) Seguridad del puesto de trabajo

- a) **Mantenga limpio y bien iluminado su puesto de trabajo.** El desorden o una iluminación deficiente en las áreas de trabajo pueden provocar accidentes.

b) **No utilice la herramienta eléctrica en un entorno con peligro de explosión, en el que se encuentren combustibles líquidos, gases o material en polvo.** Las herramientas eléctricas producen chispas que pueden llegar a inflamar los materiales en polvo o vapores.

c) **Mantenga alejados a los niños y otras personas de su puesto de trabajo al emplear la herramienta eléctrica.** Una distracción le puede hacer perder el control sobre la herramienta eléctrica.

### 2) Seguridad eléctrica

a) **El enchufe de la herramienta eléctrica debe corresponder a la toma de corriente utilizada. No es admisible modificar el enchufe en forma alguna. No emplear adaptadores en herramientas eléctricas dotadas con una toma de tierra.** Los enchufes sin modificar adecuados a las respectivas tomas de corriente reducen el riesgo de una descarga eléctrica.

b) **Evite que su cuerpo toque partes conectadas a tierra como tuberías, radiadores, cocinas y refrigeradores.** El riesgo a quedar expuesto a una sacudida eléctrica es mayor si su cuerpo tiene contacto con tierra.

c) **No exponga la herramienta eléctrica a la lluvia y evite que penetren líquidos en su interior.** Existe el peligro de recibir una descarga eléctrica si penetran ciertos líquidos en la herramienta eléctrica.

d) **No utilice el cable de red para transportar o colgar la herramienta eléctrica, ni tire de él para sacar el enchufe de la toma de corriente. Mantenga el cable de red alejado del calor, aceite, esquinas cortantes o piezas móviles.** Los cables de red dañados o enredados pueden provocar una descarga eléctrica.

e) **Al trabajar con la herramienta eléctrica a la intemperie utilice solamente cables de prolongación apropiados para su uso en exteriores.** La utilización de un cable de prolongación adecuado para su uso en exteriores reduce el riesgo de una descarga eléctrica.

**f) Si fuese imprescindible utilizar la herramienta eléctrica en un entorno húmedo, es necesario conectarla a través de un fusible diferencial.** La aplicación de un fusible diferencial reduce el riesgo a exponerse a una descarga eléctrica.

### 3) Seguridad de personas

**a) Esté atento a lo que hace y emplee la herramienta eléctrica con prudencia. No utilice la herramienta eléctrica si estuviese cansado, ni tampoco después de haber consumido alcohol, drogas o medicamentos.** El no estar atento durante el uso de la herramienta eléctrica puede provocarle serias lesiones.

**b) Utilice un equipo de protección personal y en todo caso unas gafas de protección.** El riesgo a lesionarse se reduce considerablemente si, dependiendo del tipo y la aplicación de la herramienta eléctrica empleada, se utiliza un equipo de protección adecuado como una mascarilla antipolvo, zapatos de seguridad con suela antideslizante, casco, o protectores auditivos.

**c) Evite una puesta en marcha fortuita. Asegurarse de que la herramienta eléctrica esté desconectada antes de conectarla a la toma de corriente y/o al montar el acumulador, al recogerla, y al transportarla.** Si transporta la herramienta eléctrica sujetándola por el interruptor de conexión/desconexión, o si alimenta la herramienta eléctrica estando ésta conectada, ello puede dar lugar a un accidente.

**d) Retire las herramientas de ajuste o llaves fijas antes de conectar la herramienta eléctrica.** Una herramienta de ajuste o llave fija colocada en una pieza rotante puede producir lesiones al poner a funcionar la herramienta eléctrica.

**e) Evite posturas arriesgadas. Trabaje sobre una base firme y mantenga el equilibrio en todo momento.** Ello le permitirá controlar mejor la herramienta eléctrica en caso de presentarse una situación inesperada.

**f) Lleve puesta una vestimenta de trabajo adecuada. No utilice vestimenta amplia ni joyas. Mantenga su pelo y vestimenta alejados de las piezas móviles.** La vestimenta suelta, el pelo largo y las joyas se pueden enganchar con las piezas en movimiento.

**g) Siempre que sea posible utilizar unos equipos de aspiración o captación de polvo, asegúrese que éstos estén montados y que sean utilizados correctamente.** El empleo de estos equipos reduce los riesgos derivados del polvo.

**h) No permita que la familiaridad ganada por el uso frecuente de la herramienta eléctrica lo deje creerse seguro e ignorar las normas de seguridad.** Una acción negligente puede causar lesiones graves en una fracción de segundo.

### 4) Uso y trato cuidadoso de herramientas eléctricas

**a) No sobrecargue la herramienta eléctrica. Use la herramienta eléctrica prevista para el trabajo a realizar.** Con la herramienta eléctrica adecuada podrá trabajar mejor y más seguro dentro del margen de potencia indicado.

**b) No utilice herramientas eléctricas con un interruptor defectuoso.** Las herramientas eléctricas que no se puedan conectar o desconectar son peligrosas y deben hacerse reparar.

**c) Saque el enchufe de la red y/o retire el acumulador desmontable de la herramienta eléctrica, antes de realizar un ajuste, cambiar de accesorio o al guardar la herramienta eléctrica.** Esta medida preventiva reduce el riesgo a conectar accidentalmente la herramienta eléctrica.

**d) Guarde las herramientas eléctricas fuera del alcance de los niños. No permita la utilización de la herramienta eléctrica a aquellas personas que no estén familiarizadas con su uso o que no hayan leído estas instrucciones.** Las herramientas eléctricas utilizadas por personas inexpertas son peligrosas.

**e) Cuide la herramienta eléctrica y los accesorios con esmero. Controle si funcionan correctamente, sin atascarse, las partes móviles de la herramienta**

eléctrica, y si existen partes rotas o deterioradas que pudieran afectar al funcionamiento de la herramienta eléctrica. Haga reparar estas piezas defectuosas antes de volver a utilizar la herramienta eléctrica. Muchos de los accidentes se deben a herramientas eléctricas con un mantenimiento deficiente.

- f) **Mantenga los útiles limpios y afilados.** Los útiles mantenidos correctamente se dejan guiar y controlar mejor.
- g) **Utilice la herramienta eléctrica, accesorios, útiles, etc. de acuerdo a estas instrucciones, considerando en ello las condiciones de trabajo y la tarea a realizar.** El uso de herramientas eléctricas para trabajos diferentes de aquellos para los que han sido concebidas puede resultar peligroso.

h) **Mantenga las empuñaduras y las superficies de las empuñaduras secas, limpias y libres de aceite y grasa.** Las empuñaduras y las superficies de las empuñaduras resbaladizas no permiten un manejo y control seguro de la herramienta eléctrica en situaciones imprevistas.

## 5) Servicio

a) **Únicamente haga reparar su herramienta eléctrica por un profesional, empleando exclusivamente piezas de repuesto originales.** Solamente así se mantiene la seguridad de la herramienta eléctrica.

## Instrucciones de seguridad especiales.

**Sujete el aparato por las áreas de agarre aisladas al realizar trabajos en los que el útil pueda tocar conductores eléctricos ocultos o el propio cable del aparato.** El contacto con conductores bajo tensión puede hacer que las partes metálicas del aparato le provoquen una descarga eléctrica.

**Mantenga alejadas sus manos de la segueta. No coloque la mano frente la segueta ni debajo de la misma.** El contacto con la segueta puede accidentarle. La segueta puede ponerse muy caliente al serrar.

**Utilice un equipo de protección. Dependiendo del trabajo a realizar use una protección para la cara o lentes de protección. Utilice un protector acústico.** Los lentes de protección deberán ser apropiados para protegerle de los fragmentos que pudieran salir despedidos al trabajar. La exposición permanente al ruido puede provocar sordera.

**Use mordazas de apriete u otros dispositivos de sujeción apropiados para fijar la pieza de forma segura a una base estable.** Si solamente sujeta la pieza de trabajo con la mano o presionándola contra su cuerpo, la sujeción es insegura y Ud. puede entonces llegar a perder el control.

**Asegure la pieza de trabajo.** Una pieza de trabajo queda sujeta de forma mucho más segura con un dispositivo de fijación que con la mano.

**Esta prohibido fijar rótulos o señales a la herramienta eléctrica con tornillos o remaches.** Un aislamiento dañado no le protege de una electrocución. Emplee etiquetas autoadhesivas.

**No use accesorios que no hayan sido especialmente desarrollados u homologados por el fabricante de la herramienta eléctrica.** El mero hecho de que sea montable un accesorio en su herramienta eléctrica no es garantía de que su funcionamiento sea seguro.

**Limpie periódicamente las rejillas de refrigeración de la herramienta eléctrica empleando herramientas que no sean de metal.** El ventilador del motor aspira polvo hacia el interior de la carcasa. En caso de acumularse polvo de metal en exceso, ello puede provocar al usuario una descarga eléctrica.

**Antes de la puesta en marcha inspeccione si están dañados el cable de red y el enchufe.**

**Recomendación: Siempre opere la herramienta eléctrica a través de un interruptor diferencial (RCD) con una corriente de disparo máxima de 30 mA.**



## Tratamiento de materiales en polvo peligrosos.

**⚠ ADVERTENCIA** Al trabajar con herramientas, p. ej., al lijar, pulir, serrar o realizar otros trabajos con arranque de material, los polvos que se producen pueden ser nocivos para la salud, autoinflamables o explosivos.

El contacto o inspiración de ciertos materiales en polvo puede provocar en el usuario, o en las personas circundantes, reacciones alérgicas y/o enfermedades respiratorias, cáncer, daños congénitos u otros trastornos reproductivos.

A continuación, indicamos algunos de estos materiales junto con los productos químicos que contienen, cuyo polvo producido al trabajar, puede ser nocivo para la salud:

- Amianto y materiales que contengan amianto;
- Pinturas que contengan plomo, ciertos tipos de madera como, p. ej., haya, encino y roble;
- Minerales y metales;
- Partículas de sílice de ladrillo, concreto y demás materiales que contengan mineral;
- Los solventes que contienen ciertas pinturas;
- Arsénico, cromo y otros conservadores de la madera;
- Materiales para combatir parásitos en cascos de botes o barcos;
- Polvos de acero inoxidable, de metales y de metales no férricos.

Para que la exposición a estos materiales sea mínima:

- Utilice un equipo de aspiración apropiado para el polvo producido.
- Use equipos de protección personal como, por ejemplo, una mascarilla guardapolvo con un filtro de la clase P2.
- Observe que esté bien ventilado el puesto de trabajo.

El riesgo derivado de la inspiración de polvo depende de la frecuencia con la que se procesen estos materiales. Los materiales que contengan amianto solamente deberán ser procesados por especialistas.

**⚠ ATENCIÓN** El polvo de madera y el de aleaciones ligeras puede autoinflamarse o provocar una explosión.

Si en el saco filtrante o en el filtro del aspirador, el polvo caliente producido al lijar se mezcla con restos de pintura, poliuretano, u otras materias químicas, puede que ésta se autoincendie bajo condiciones desfavorables como, p. ej., el salto de chispas al lijar metales, la exposición permanente y directa al sol, o una temperatura ambiente elevada. Para prevenir esta situación:

- Evite que se sobrecalienten la pieza de trabajo y la herramienta eléctrica.
- Vacíe el depósito de polvo con suficiente antelación.
- Observe las instrucciones de elaboración del fabricante del material.
- Considere las prescripciones vigentes en su país sobre los materiales a trabajar.

## Vibraciones en la mano/brazo.

**⚠ ADVERTENCIA** Al trabajar con esta herramienta eléctrica se producen vibraciones en la mano y el brazo. Ello puede llegar a afectar su salud.

**⚠ ADVERTENCIA** Las vibraciones generadas durante la aplicación actual de la herramienta eléctrica puede ser diferente del valor indicado, según el modo en que sea utilizada la herramienta.

**⚠ ADVERTENCIA** Con el fin de proteger al usuario, es necesario fijar medidas de seguridad en base a una estimación de la exposición resultante bajo las condiciones de uso actuales.

El nivel de vibraciones indicado en estas instrucciones ha sido determinado según el procedimiento de medición fijado en la norma EN 62841 y puede servir como base de comparación con otras herramientas eléctricas. También es adecuado para estimar provisionalmente la solicitación experimentada por las vibraciones.

El nivel de vibraciones indicado ha sido deter-

minado para las aplicaciones principales de la herramienta eléctrica. Por ello, el nivel de vibraciones puede ser diferente si la herramienta eléctrica se utiliza para otras aplicaciones, con útiles diferentes, o si el mantenimiento de la misma fuese deficiente. Ello puede suponer un aumento drástico de la solicitación por vibraciones durante el tiempo total de trabajo.

Para determinar con exactitud la solicitación experimentada por las vibraciones, es necesario considerar también aquellos tiempos en los que el aparato esté desconectado, o bien, esté en funcionamiento, pero sin ser utilizado realmente. Ello puede suponer una disminución drástica de la solicitación por vibraciones durante el tiempo total de trabajo.

Fije unas medidas de seguridad adicionales para proteger al usuario de los efectos por vibraciones, como por ejemplo: Mantenimiento de la herramienta eléctrica y de los útiles, conservar calientes las manos, organización de las secuencias de trabajo.

## Emisión de ruidos y vibraciones (indicación de dos cifras según ISO 4871)

### Emisión de ruido

Nivel de de presión sonora  $L_{pA}$  (re 20  $\mu\text{Pa}$ ), medido con filtro A en el puesto de trabajo, en decibelios

**ASTx649-1 (\*\*)** **ASTxe649-1 (\*\*)**

89 89

Inseguridad  $K_{pA}$ , en decibelios

3 3

Nivel de potencia acústica  $L_{WA}$  (re 1 pW), medido con filtro A, en decibelios

100 100

Inseguridad  $K_{WA}$ , en decibelios

3 3

Valor pico del nivel de presión sonora  $L_{pCpeak}$  medido con filtro C en el puesto de trabajo, en decibelios

102 102

Inseguridad  $K_{pCpeak}$  en decibelios

3 3

### Vibración

Promedio de vibraciones al serrar

-  $\text{m/s}^2$

7.0 7.0

-  $\text{ft/s}^2$

22.9 22.9

Inseguridad  $K$ , en


-  $\text{m/s}^2$

1.5 1.5

-  $\text{ft/s}^2$

4.9 4.9

**OBSERVACIÓN:** la suma de los valores emitidos medidos, considerando la inseguridad respectiva, representa el límite superior que puede alcanzarse en las mediciones.

 ¡Utilizar unos protectores acústicos!

Valores de medición determinados según normativa del producto pertinente.

## Extensiones.

**⚠ ADVERTENCIA** En caso de utilizar una extensión, la longitud y la sección de la línea deberá ser la correcta para el trabajo a realizar para evitar una caída de tensión en la línea, una reducción de la potencia, y el sobrecalentamiento de la herramienta eléctrica. De lo contrario, se presentan peligros de origen eléctrico en la extensión y en la herramienta eléctrica, además de reducirse sus prestaciones.

**Longitudes y secciones del cable recomendadas para las extensiones al trabajar con una tensión alterna monofásica de 120 V, teniendo conectado solamente un ASTx649-1 (\*\*)/ASTxe649-1 (\*\*):**

Longitud de la línea en pies			Longitud de la línea en m		
≤ 100	100 -200	200 -300	≤ 30	30 - 60	60 -100
Calibre A.W.G. del cable, mín.			Sección del cable en mm <sup>2</sup> , mín.		
16	14	12	1.5	2.5	4

## Utilización reglamentaria de la herramienta eléctrica:


















Sierra portátil para uso profesional con útiles y accesorios homologados por FEIN en lugares cubiertos, para serrar piezas de sección redonda o con otra forma, de metal, plástico y cemento.

## Alimentación de la herramienta eléctrica con un grupo electrógeno.

**!** Esta herramienta eléctrica es apta además para ser utilizada con grupos electrógenos de alterna siempre que dispongan de suficiente potencia y cumplan los requisitos según norma ISO 8528 para la clase de ejecución G2. Deberá prestarse especial atención a no sobrepasar el coeficiente de distorsión máximo del 10 % establecido en dicha norma. En caso de duda consulte los datos del grupo utilizado por Ud.

**⚠ ADVERTENCIA** Esta prohibido conectar la herramienta eléctrica a generadores de corriente cuya tensión en vacío sea superior a la tensión indicada en la placa de características de la herramienta eléctrica.

## Simbología.

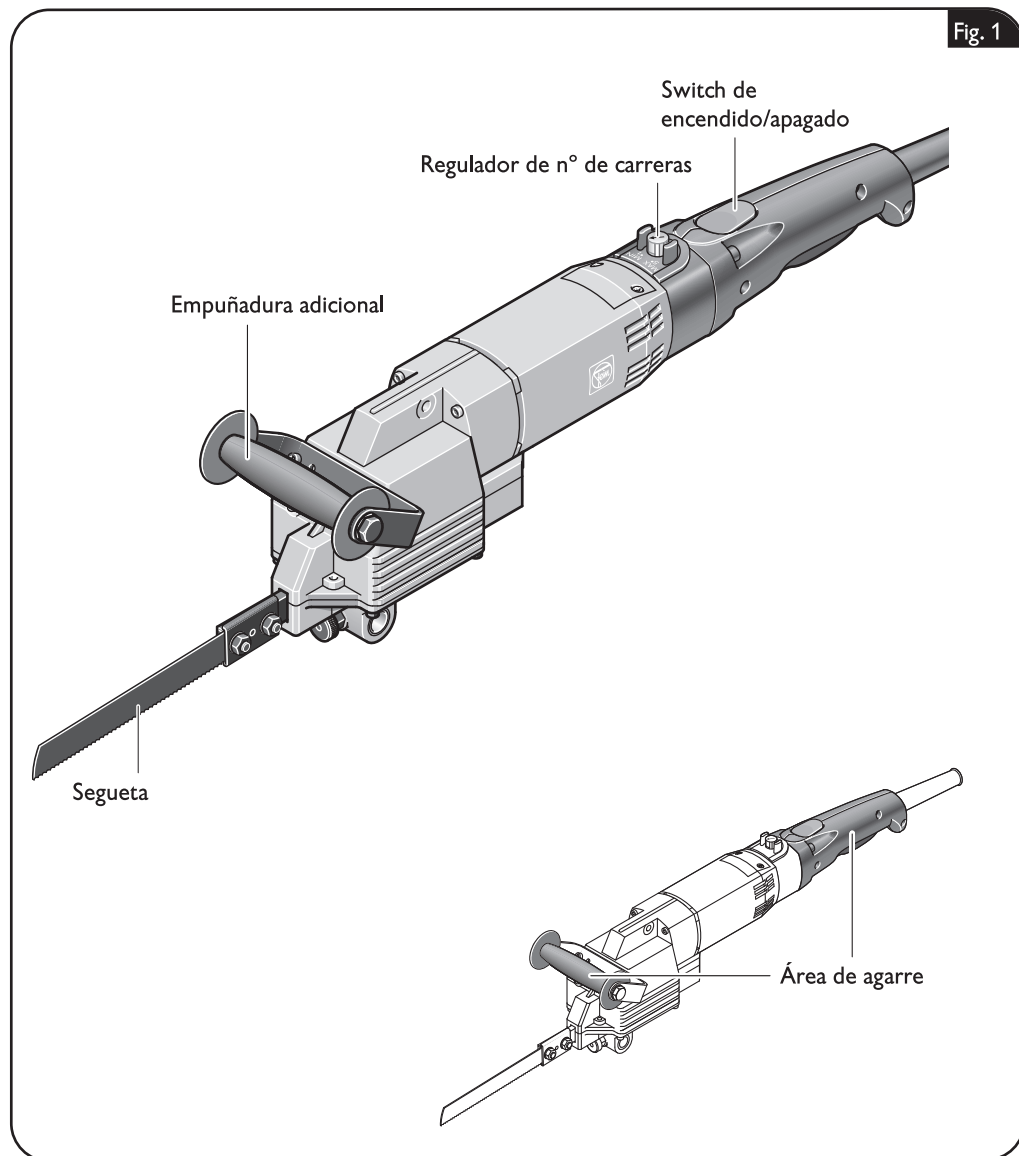
Símbolo	Definición
	Es imprescindible leer los documentos que se adjuntan, como las instrucciones de servicio y las instrucciones generales de seguridad.
	¡Seguir las instrucciones indicadas al margen!
	Antes de realizar el paso de trabajo descrito, sacar el enchufe de la red. En caso contrario, podría accidentarse al ponerse en marcha fortuitamente la herramienta eléctrica.
	No tocar la segueta.
	Al trabajar protegerse los ojos.
	Al trabajar utilizar un protector acústico.
	Al trabajar utilizar una protección para las manos.
	Conexión
	Desconexión
	¡Seguir las instrucciones indicadas al margen!
	Existe el riesgo de quemarse con una superficie muy caliente.
	Este símbolo confirma que este producto ha sido certificado en USA y Canadá.
	Este símbolo advierte sobre una situación peligrosa inminente. Un comportamiento incorrecto puede dar lugar a una lesión grave o incluso mortal.
	Este símbolo advierte sobre una situación peligrosa que puede comportar lesiones graves o mortales.
	Este símbolo advierte sobre una situación peligrosa en la que pudiera lesionarse.
	Acumular por separado las herramientas eléctricas y demás productos electrotécnicos y eléctricos inservibles y someterlos a un reciclaje ecológico.
	Producto dotado con un aislamiento doble o reforzado
~ o a. c.	Corriente alterna
1~	Corriente alterna monofásica
(**)	Puede contener cifras o letras
(Ax - Zx)	Identificación para fines internos

<b>Símbolo</b>	<b>Unidad nacional</b>	<b>Definición</b>
$n_0$	rpm; /min; $\text{min}^{-1}$ ; r/min	N° de carreras en vacío
$P$	W	Unidad de medida de la potencia
	°	Unidad de medida del ángulo
$U$	V	Unidad de medida de la tensión eléctrica
$f$	Hz	Unidad de medida de la frecuencia
$I$	A	Unidad de medida de la intensidad
$m$	kg, lbs	Unidad de medida de la masa
$l$	ft, in	Unidad de medida para la longitud, ancho, altura, profundidad, diámetro o roscas
$\emptyset$	ft, in	Diámetro de una pieza redonda
$K...$		Incertidumbre
$a$	$\text{m/s}^2$	Nivel de vibraciones generadas según EN 62841 (suma vectorial de tres direcciones)
	m, s, kg, A, mm, V, W, Hz, N, °C, dB, min, $\text{m/s}^2$	Unidades básicas y unidades derivadas del sistema internacional de unidades <b>SI</b> .

## Descripción técnica y especificaciones.

**⚠ ADVERTENCIA** Saque la clavija del enchufe antes de montar o cambiar los útiles y accesorios. Esta medida de seguridad preventiva evita los accidentes que pudieran presentarse en caso de una puesta en marcha involuntaria.

El material de serie suministrado con su herramienta eléctrica puede que no corresponda en su totalidad al material descrito o mostrado en estas instrucciones de servicio.



<b>Tipo</b>	<b>AStx649-1 (**)</b>	<b>AStxe649-1 (**)</b>
Nº de referencia	7 234 ...	7 234 ...
Corriente absorbida	6.8 A	6.8 A
Potencia útil	480 W	480 W
Nº de carreras en vacío	400 rpm	100 – 400 rpm
Diámetro exterior máx.		
– Para tubos	13 in 325 mm	13 in 325 mm
– Con dispositivo de sujeción y prolongación de la cadena	17 1/4 in 440 mm	17 1/4 in 440 mm
Dimensiones máx. del material		
– Ancho	11 1/4 in 290 mm	11 1/4 in 290 mm
– Altura	22 in 550 mm	22 in 550 mm
Peso según EPTA-Procedure 01	13.4 lbs (6.1 kg)	14.1 lbs (6.4 kg)
Clase de protección	□/II	□/II

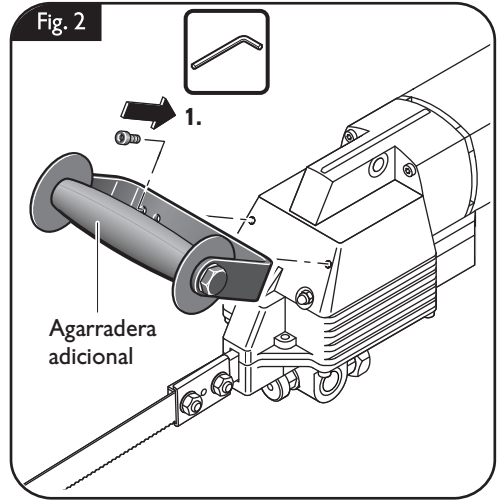
## Instrucciones de montaje.

**⚠ ADVERTENCIA** Saque la clavija del enchufe antes de montar o cambiar los útiles y accesorios. Esta medida de seguridad preventiva evita los accidentes que pudieran presentarse en caso de una puesta en marcha involuntaria.

### Montaje de la agarradera adicional (Figura 2).

Sujete la agarradera adicional al cabezal de engranes con los tornillos de cabeza cilíndrica.

Apriete firmemente los tornillos de cabeza cilíndrica con la llave allen.





## Cambio de útil.

**⚠ ADVERTENCIA** Saque la clavija del enchufe antes de montar o cambiar los útiles y accesorios. Esta medida de seguridad preventiva evita los accidentes que pudieran presentarse en caso de una puesta en marcha involuntaria.

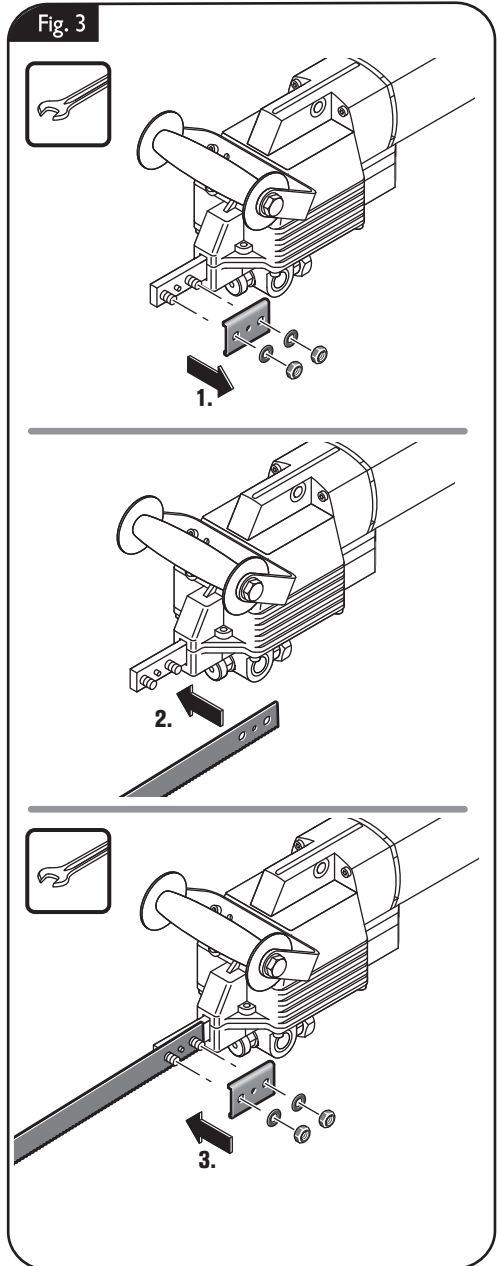
### Montaje de la segueta (Figura 3).

Desenrosque ambas tuercas hexagonales del émbolo portaútiles con la llave fija.

Retire la placa de presión.

Monte la segueta y la placa de presión en el émbolo portaútiles.

Apriete firmemente las tuercas hexagonales.



## Ajustes.

**⚠ ADVERTENCIA** Saque la clavija del enchufe antes de montar o cambiar los útiles y accesorios. Esta medida de seguridad preventiva evita los accidentes que pudieran presentarse en caso de una puesta en marcha involuntaria.

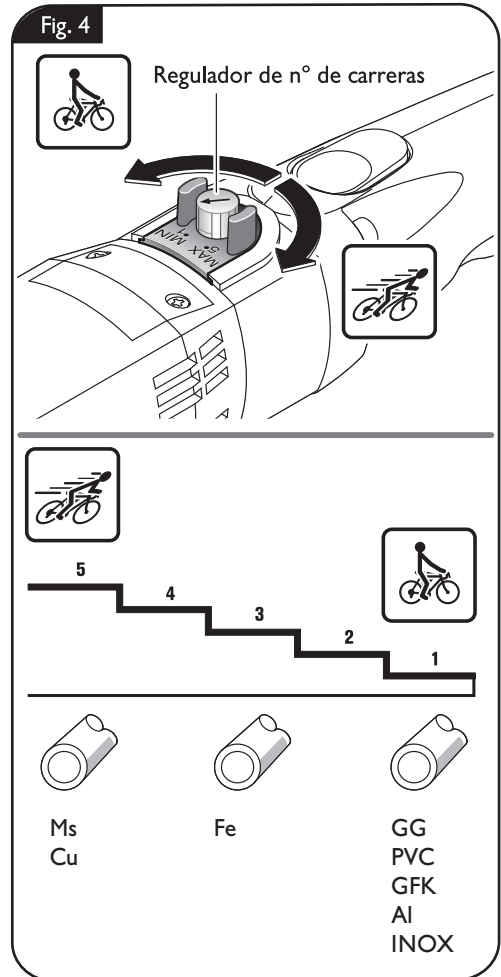
### Ajuste del nº de carreras (ASTxe649-1 (\*\*)) (Figura 4).

Seleccione el número de carreras apropiado de acuerdo al tipo de material que desee cortar.

El botón del regulador de nº de carreras permite preajustar 5 niveles diferentes.

Nº de carreras alto: para cortar acero.

Nº de carreras bajo: para cortar aluminio y plásticos.



## Instrucciones para la operación.

**⚠ ADVERTENCIA** Saque la clavija del enchufe antes de montar o cambiar los útiles y accesorios. Esta medida de seguridad preventiva evita los accidentes que pudieran presentarse en caso de una puesta en marcha involuntaria.

**!** Solamente use los útiles que FEIN haya previsto y autorizado para el trabajo que vaya a realizar.

### Conexión y desconexión (Figura 5).

**⚠ ADVERTENCIA** Asegúrese primeramente del perfecto estado de la línea y de la clavija.

**⚠ ATENCIÓN** Siempre sujete firmemente la herramienta eléctrica. En caso contrario podría perder el control sobre la herramienta eléctrica.

**!** Solamente aproxime la herramienta eléctrica conectada contra la pieza de trabajo.

#### Conexión SIN enclavamiento:

Presione al mismo tiempo el bloqueo de puesta en marcha y el switch (I).  
Suelte ahora el bloqueo de puesta en marcha.

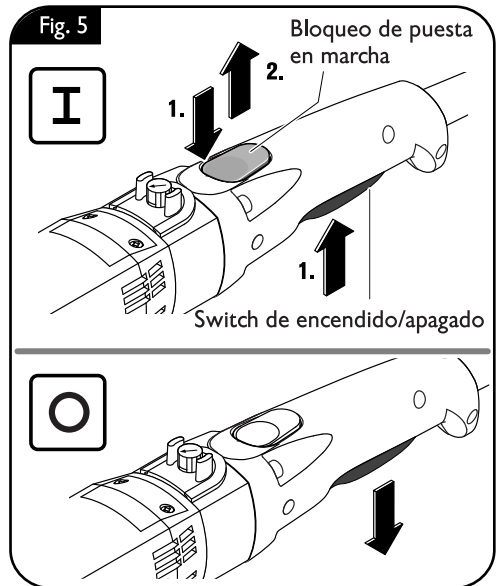
#### Desconexión:

Deje de accionar el switch (O).

Guíe uniformemente la herramienta eléctrica, empujándola levemente en el sentido de corte. Un avance excesivo reduce considerablemente la duración del útil.

Para aumentar la vida útil de la segueta al cortar metales, se recomienda aplicar un lubricante con el dispositivo de engranes integrado en la caja de engranes:

- Para cortes en chapa de acero: aceite de corte.
- Para cortes en aluminio: petróleo.

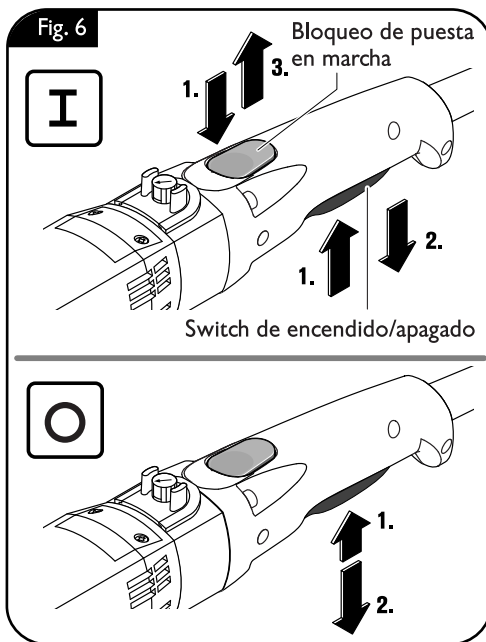


**Conexión CON enclavamiento:**

Presione al mismo tiempo el bloqueo de puesta en marcha y el switch (I).  
Deje de accionar el switch y a continuación el bloqueo de puesta en marcha.

**Desconexión del switch enclavado:**

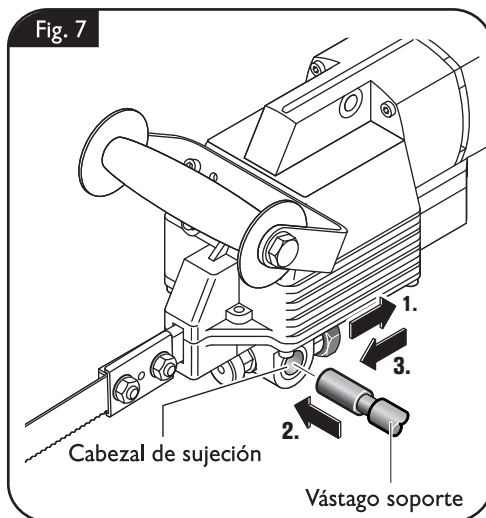
Presione primero el switch y suéltelo a continuación (O).

**Uso de los dispositivos de fijación recomendados (Figura 7).****Dispositivo de sujeción 9 07 02 001 00 1**

Para tubos hasta un diámetro de 159 mm emplear el dispositivo de fijación 9 07 02 001 00 1.

- Abraze la pieza de trabajo con la cadena tensora y aloje los ganchos del eslabón en la cadena tensora.
- Tense la cadena con el estribo.
- Coloque la sierra de corte en el vástago soporte.

El cabezal de sujeción puede reajustarse longitudinalmente e inclinarse.



### **Dispositivo de sujeción 9 07 02 004 00 6**

Para tubos más grandes con diámetros entre 100 mm y 325 mm deberá usarse el dispositivo de fijación 9 07 02 004 00 6 en combinación con las hojas de sierra de 500 mm ó 600 mm y un grosor de 2 mm. Con el prolongador de cadena 3 02 31 003 00 3 (vástago 3 02 16 130 00 4) pueden procesarse también tubos de un diámetro de 440 mm.

### **Guía de la hoja de sierra 9 06 06 002 00 9**

Para cortar tubos de un diámetro hasta 325 mm con la hoja de sierra de 1,6 mm de grosor y 530 mm de longitud, emplee la guía de hojas de sierra 9 06 06 002 00 9.

- Con la agarradera adicional desmontada sujete la guía de hojas de sierra en el taladro del cabezal de engranes de la herramienta eléctrica.

### **Dispositivo de sujeción 9 07 02 003 00 8**

Para serrar perfiles de un ancho de 310 mm y una altura de 550 mm, usar el dispositivo de fijación 9 07 02 003 00 8. La construcción es similar a la de un tornillo de banco. Las mordazas de fijación y el cabezal de sujeción son ajustables.

### **Dispositivo de sujeción 9 07 02 005 00 0**

Para cortar tubos y material en redondo con un diámetro exterior entre 80 y 400 mm utilizar el dispositivo de sujeción y avance 9 07 02 005 00 0 para guiar la sierra de corte. Un embrague de deslizamiento se encarga de limitar el tiempo en que es presionada la hoja de sierra aumentando así la duración de ésta. Su utilización se describe en el manual 3 41 00 898 06 6.

### **Patín soporte 3 27 14 062 02 3**

Para serrar materiales como, p. ej., chapa ondulada, utilizar el patín soporte 3 27 14 062 02 3.

Desmunte la agarradera adicional y sujete el patín soporte en el émbolo portaútiles y en el taladro superior del cabezal de engranes.

## Reparación y servicio técnico.

**⚠ ADVERTENCIA** Saque la clavija del enchufe antes de montar o cambiar los útiles y accesorios. Esta medida de seguridad preventiva evita los accidentes que pudieran presentarse en caso de una puesta en marcha involuntaria.

### Piezas sustituibles.

Si fuese preciso, puede sustituir Ud. mismo las piezas siguientes:

Útiles, agarradera adicional

### Servicio técnico.

**⚠ ADVERTENCIA** Únicamente deje realizar los trabajos de mantenimiento por un profesional. Las líneas y componentes mal montados pueden suponer un grave peligro. Deje efectuar el servicio requerido por un servicio técnico FEIN.

Los productos que hayan tenido contacto con asbesto no se harán reparar. Deseche los productos contaminados con asbesto de acuerdo a las prescripciones vigentes en su país sobre la eliminación de residuos que contengan asbesto.

La lista de piezas de refacción actual para esta herramienta eléctrica la encuentra en internet bajo [www.fein.com](http://www.fein.com).

### Limpieza.

**⚠ ADVERTENCIA** Con el fin de evitar accidentes, saque de la alimentación la clavija de la herramienta eléctrica antes de realizar en la misma cualquier tipo de trabajo de limpieza o de mantenimiento.

**⚠ ADVERTENCIA** Si el aire ambiente contiene material en polvo conductor, p. ej., al trabajar metales, puede que este material llegue a depositarse en el interior de la herramienta eléctrica. Ello puede mermar la eficacia del aislamiento de protección de la herramienta eléctrica. Por ello, sople con regularidad desde afuera por las rejillas de refrigeración el interior de la herramienta eléctrica con aire comprimido seco y exento de aceite, utilizando en ello siempre una protección para los ojos. Intercale un interruptor diferencial (RCD) como medida de protección adicional.

**⚠ ATENCIÓN** No intente limpiar las rejillas de refrigeración de la herramienta eléctrica con objetos metálicos en punta, emplee para ello objetos que no sean de metal.

**⚠ ATENCIÓN** No aplique agentes de limpieza ni disolventes que pudieran atacar a las piezas de plástico. Algunos de estos agentes son: gasolina, tetracloruro de carbono, disolventes clorados, amoníaco y detergentes domésticos que contengan amoníaco.

**⚠ ATENCIÓN** En caso de que se dañe el cable de red de la herramienta eléctrica, éste deberá ser reemplazado por el fabricante o por su representante.

## Garantía.

La garantía del producto se realiza de acuerdo a las regulaciones legales vigentes en el país de adquisición. Adicionalmente, FEIN ofrece una garantía ampliada de acuerdo con la declaración de garantía del fabricante FEIN.

El material de serie suministrado con su herramienta eléctrica puede que no corresponda en su totalidad al material descrito o mostrado en estas instrucciones de servicio.

## Protección del medio ambiente, eliminación.

Los embalajes, y las herramientas eléctricas y accesorios inservibles deberán entregarse a los puntos de recogida correspondientes para que puedan ser sometidos a un reciclaje ecológico. Informaciones adicionales al respecto las obtiene en su comercio especializado habitual.

## Accesorios incluidos en el suministro (Figura 8).

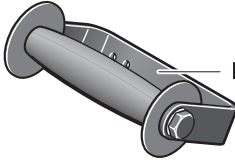
Fig. 8



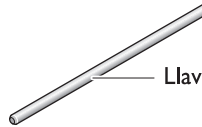
2 tornillos de cabeza cilíndrica



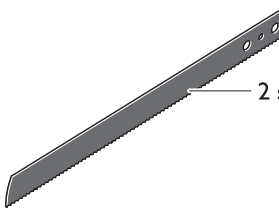
Llave allen



Empuñadura adicional



Llave allen



2 seguetas



Llave fija



Llave allen



### **USA**

FEIN Power Tools, Inc.  
1000 Omega Drive  
Suite 1180  
Pittsburgh, PA 15205  
Phone: 800-441-9878  
[www.feinus.com](http://www.feinus.com)

### **Canada**

FEIN Canadian Power Tool Company  
323 Traders Boulevard East  
Mississauga, Ontario L4Z 2E5  
Telephone: (905) 8901390  
Phone: 1-800-265-2581  
[www.fein.com](http://www.fein.com)

### **FEIN Service**

FEIN Power Tools, Inc.  
2735 Hickory Grove Road  
Davenport, IA 52804  
Phone: 800-441-9878  
[magdrillrepair@feinus.com](mailto:magdrillrepair@feinus.com)

### **Headquarter**

C. & E. Fein GmbH  
Hans-Fein-Straße 81  
D-73529 Schwäbisch Gmünd-Bargau  
[www.fein.com](http://www.fein.com)

