



AJMU 137 PMQW AS (\*\*)

7 170 ...

English (en)  
Français (fr)  
Español (es)



3 41 01 401 21 0

2024-02-14



**en** Instruction Manual



**fr** Mode d'emploi



**es** Instrucciones de uso




## For your safety.

### **WARNING** Read all safety warnings and all instructions. Failure to

follow the warnings and instructions may result in electric shock, fire and/or serious injury.

**Save all warnings and instructions for future reference.**

 Do not use this power tool before you have thoroughly read and completely understood this Instruction Manual, including the figures, specifications, safety regulations and the signs indicating DANGER, WARNING and CAUTION.

Only carry out such operations with this power tool as intended for by the manufacturer. Only use cutting tools and accessories that have been approved by the manufacturer.

Please also observe the relevant national industrial safety regulations.

Non-observance of the safety instructions in the said documentation can lead to an electric shock, burns and/or severe injuries.

This Instruction Manual should be kept for later use and enclosed with the power tool, should it be passed on or sold.

**SAVE THESE INSTRUCTIONS.**

The term “power tool” in the warnings refers to your mains-operated (corded) power tool or battery operated (cordless) power tool.

## General Power Tool Safety Warnings.

### 1) Work area safety

- a) **Keep work area clean and well lit.** Cluttered or dark areas invite accidents.
- b) **Do not operate power tools in explosive atmospheres, such as in the presence of flammable liquids, gases or dust.** Power tools create sparks which may ignite the dust or fumes.
- c) **Keep children and bystanders away while operating a power tool.** Distractions can cause you to lose control.

### 2) Electrical safety

- a) **Power tool plugs must match the outlet. Never modify the plug in any way. Do not use any adapter plugs with earthed (grounded) power tools.** Unmodified plugs and matching outlets will reduce risk of electric shock.
- b) **Avoid body contact with earthed or grounded surfaces, such as pipes, radiators, ranges and refrigerators.** There is an increased risk of electric shock if your body is earthed or grounded.
- c) **Do not expose power tools to rain or wet conditions.** Water entering a power tool will increase the risk of electric shock.
- d) **Do not abuse the cord. Never use the cord for carrying, pulling or unplugging the power tool. Keep cord away from heat, oil, sharp edges or moving parts.** Damaged or entangled cords increase the risk of electric shock.
- e) **When operating a power tool outdoors, use an extension cord suitable for outdoor use.** Use of a cord suitable for outdoor use reduces the risk of electric shock.
- f) **If operating a power tool in a damp location is unavoidable, use a residual current device (RCD) protected supply.** Use of an RCD reduces the risk of electric shock.

### 3) Personal safety

- a) **Stay alert, watch what you are doing and use common sense when operating a power tool. Do not use a power tool while you are tired or under the influence of drugs, alcohol or medication.** A moment of inattention while operating power tools may result in serious personal injury.
- b) **Use personal protective equipment. Always wear eye protection.** Protective equipment such as a dust mask, non-skid safety shoes, hard hat or hearing protection used for appropriate conditions will reduce personal injuries.

- c) **Prevent unintentional starting.** Ensure the switch is in the off-position before connecting to power source and/or battery pack, picking up or carrying the tool. Carrying power tools with your finger on the switch or energising power tools that have the switch on invites accidents.
  - d) **Remove any adjusting key or wrench before turning the power tool on.** A wrench or a key left attached to a rotating part of the power tool may result in personal injury.
  - e) **Do not overreach. Keep proper footing and balance at all times.** This enables better control of the power tool in unexpected situations.
  - f) **Dress properly. Do not wear loose clothing or jewellery. Keep your hair and clothing away from moving parts.** Loose clothes, jewellery or long hair can be caught in moving parts.
  - g) **If devices are provided for the connection of dust extraction and collection facilities, ensure these are connected and properly used.** Use of dust collection can reduce dust-related hazards.
  - h) **Do not let familiarity gained from frequent use of tools allow you to become complacent and ignore tool safety principles.** A careless action can cause severe injury within a fraction of a second.
- 4) **Power tool use and care**
- a) **Do not force the power tool. Use the correct power tool for your application.** The correct power tool will do the job better and safer at the rate for which it was designed.
  - b) **Do not use the power tool if the switch does not turn it on and off.** Any power tool that cannot be controlled with the switch is dangerous and must be repaired.
  - c) **Disconnect the plug from the power source and/or remove the battery pack, if detachable, from the power tool before making any adjustments, changing accessories, or storing power tools.** Such preventive safety measures reduce the risk of starting the power tool accidentally.
  - d) **Store idle power tools out of the reach of children and do not allow persons unfamiliar with the power tool or these instructions to operate the power tool.** Power tools are dangerous in the hands of untrained users.
  - e) **Maintain power tools and accessories. Check for misalignment or binding of moving parts, breakage of parts and any other condition that may affect the power tool's operation. If damaged, have the power tool repaired before use.** Many accidents are caused by poorly maintained power tools.
  - f) **Keep cutting tools sharp and clean.** Properly maintained cutting tools with sharp cutting edges are less likely to bind and are easier to control.
  - g) **Use the power tool, accessories and tool bits etc. in accordance with these instructions, taking into account the working conditions and the work to be performed.** Use of the power tool for operations different from those intended could result in a hazardous situation.
  - h) **Keep handles and grasping surfaces dry, clean and free from oil and grease.** Slippery handles and grasping surfaces do not allow for safe handling and control of the tool in unexpected situations.
- 5) **Battery tool use and care**
- a) **Recharge only with the charger specified by the manufacturer.** A charger that is suitable for one type of battery pack may create a risk of fire when used with another battery pack.
  - b) **Use power tools only with specifically designated battery packs.** Use of any other battery packs may create a risk of injury and fire.
  - c) **When battery pack is not in use, keep it away from other metal objects, like paper clips, coins, keys, nails, screws or other small metal objects, that can make a connection from one terminal to another.** Shorting the battery terminals together may cause burns or a fire.



- d) **Under abusive conditions, liquid may be ejected from the battery; avoid contact. If contact accidentally occurs, flush with water. If liquid contacts eyes, additionally seek medical help.** Liquid ejected from the battery may cause irritation or burns.
- e) **Do not use a battery pack or tool that is damaged or modified.** Damaged or modified batteries may exhibit unpredictable behaviour resulting in fire, explosion or risk of injury.
- f) **Do not expose a battery pack or tool to fire or excessive temperature.** Exposure to fire or temperature above 130 °C may cause explosion.
- g) **Follow all charging instructions and do not charge the battery pack or tool outside the temperature range specified in the instructions.** Charging improperly or at temperatures outside the specified range may damage the battery and increase the risk of fire.
- 6) **Service**
- a) **Have your power tool serviced by a qualified repair person using only identical replacement parts.** This will ensure that the safety of the power tool is maintained.
- b) **Never service damaged battery packs.** Service of battery packs should only be performed by the manufacturer or authorized service providers.

## Special safety instructions.

---

### Safety warnings for core drills.

**When performing drilling that requires the use of water, route the water away from the operator's work area or use a liquid collection device.** Such precautionary measures keep the operator's work area dry and reduce the risk of electrical shock.

**Operate power tool by the insulated grasping surfaces when performing an operation where the cutting accessory may contact hidden wiring.** Cutting accessory contacting a "live" wire may make exposed metal parts of the power tool "live" and could give the operator an electric shock.

**Wear hearing protection when drilling.** Exposure to noise can cause hearing loss.

**When the bit is jammed, stop applying downward pressure and turn off the tool.** Investigate and take corrective actions to eliminate the cause of the bit jamming.

**When restarting a drill in the workpiece, check that the bit rotates freely before starting.** If the bit is jammed, it may not start, may overload the tool, or may cause the drill to release from the workpiece.

**When securing the drill stand with anchors and fasteners to the workpiece, ensure that the anchoring used is capable of holding and restraining the machine during**

**use.** If the workpiece is weak or porous, the anchor may pull out causing the drill stand to release from the workpiece.

**Ensure there is sufficient vacuum before and during drilling.** If the vacuum is insufficient, the pad may release from the workpiece.

**When drilling through walls or ceilings, ensure to protect persons and the work area on the other side.** The bit may extend through the hole or the core may fall out on the other side.

**Do not use this tool for overhead drilling with water supply.** Water entering the power tool will increase the risk of electric shock.

### Special safety instructions.

**Do not use a damaged power tool. Before each use of the power tool, check the housing and other components for damage such as cracks or breakage.**

**Wear protective equipment. Depending on the application, wear face shield or safety goggles. Wear hearing protection.** The safety glasses/goggles must be suitable to protect against the particles emitted from different operations. Continuous high exposure to noise can lead to loss of hearing.

**Do not touch the sharp edges of the core drill bit.** Danger of injury.

**To avoid injuries, check the core drill bits prior to starting the work. Use only undamaged core drill bits that are not deformed.** Damaged or deformed core drill bits can cause serious injury.

**Before putting into operation: Mount the chip guard to the machine.**

**Always secure the power tool with the supplied safety strap.** When carrying out such work, beware of falling objects, such as cores or chips.

**Carry out work on vertical construction elements or overhead without use of the hand pump.** Use cooling-lubricant spray for these applications. Fluids entering into the power tool create the risk of electric shock.

**Avoid touching the drilled core that is automatically ejected by the pilot pin when the working procedure is finished.** Contact with the core when it is hot, or if it falls, can cause personal injuries.

**To prevent injuries, always keep your hands, clothing, etc. away from rotating swarf.** The swarf can cause injuries. Always use the chipping protector.

**Do not attempt to remove the cutting tool if it still turns.** This can lead to serious injuries.

**Beware of any concealed electric cables, gas or water conduits.** Check the working area before commencing work, e. g. with a metal detector.

**Do not work materials containing magnesium.** Danger of fire.

**Do not work CFP (carbon-fiber-reinforced polymer) and materials containing asbestos.** These materials are considered carcinogenic.

**Do not rivet or screw any name-plates or signs onto the power tool.** If the insulation is damaged, protection against an electric shock will be ineffective.

**Do not overload the power tool or the storage case and do not use it as a ladder or stand.** Overloading or standing on the power tool or the storage case can lead to the upward shifting of the center of gravity of the power tool or the storage case, and its tipping over.

**Do not use accessories which are not specifically designed and recommended by the power tool manufacturer.** Safe operation is not ensured merely because an accessory fits your power tool.

**Clean the ventilation openings on the power tool at regular intervals using non-metal tools.** The blower of the motor draws dust into the housing. An excessive accumulation of metallic dust can cause an electrical hazard.

## **Use and handling of the battery (battery pack)**

**These safety warnings apply only for 18V FEIN AMPShare lithium-ion batteries.**

**Use the battery only in AMPShare partner products.** 18V batteries marked with AMP-Share are fully compatible with the following products:

- All products of the FEIN-18V-AMPShare system
- All 18V products from AMPShare partners.

**When working with and charging incorrect, damaged, repaired or reconditioned batteries, imitations or other brands, there is danger of fire and/or explosion.**

**Observe the battery recommendations in the operating instructions for your product.**

Only in this way can the battery and the product be operated safely, and the batteries are protected from dangerous overload.

**Only charge the batteries with chargers recommended by FEIN or one of the AMPShare partners.** A charger that is suitable one type of battery pack may create a risk of fire when used with another battery pack.

**The battery is supplied partially charged.** To ensure full battery capacity, completely charge the battery in the battery charger before using for the first time.

**Store batteries out of the reach of children.**

**Batteries must not be disassembled, opened or reduced in size. Do not subject batteries to mechanical impact or shock.** Hazardous vapors and fluid can escape in case of damage and improper use of the battery. The vapors can irritate the respiratory system. Liquid ejected from the battery may cause skin irritations or burns.

**In case of skin contact with battery fluid, rinse immediately with plenty of water. In case of eye contact with battery fluid, wash out the eye with clean water and immediately seek a doctor for treatment!**

**When the battery fluid has come into contact with objects close by, check the respective components. Avoid skin contact by wearing protective gloves. Clean the parts with dry household paper or replace the parts if necessary.** Escaping vapors can irritate the respiratory system. Liquid ejected from the battery may cause skin irritations or burns.

**Do not short-circuit the battery. Keep the battery not being used away from paper clips, coins, keys, nails, screws or other small metal objects, that can make a connection from one terminal to another.** Shorting the battery terminals together may cause burns or a fire.

**The battery can be damaged by sharp objects such as nails or screwdrivers or by external force.** An internal short-circuit may occur and the battery can burn, smoke, explode or overheat.

**Never maintain damaged batteries.** Any maintenance of batteries should be performed only by the manufacturer or by authorised after-sales service centers.



**Protect the battery against heat, e.g., against continuous intense sunlight,**



**fire, debris, water, and moisture.** Danger of explosion and short-circuiting.

**Operate and store the battery only at ambient temperatures between -20 °C and +50 °C.** As an example, do not leave the battery in a vehicle in summer. At temperatures < 0 °C, machine-specific performance restrictions are possible.

**Charge the battery only at ambient temperatures between 0 °C and +35 °C. Charge the battery via USB connection only at ambient temperatures between +10 °C and +35 °C.** Charging the battery outside the temperature range may damage the battery or increase the risk of fire.

**Handle discharged batteries with care. Batteries are a source of danger, as they can cause a very high short-circuit current.** Even when Li-ion batteries appear to be in a discharged state, they never fully discharge.

**Do not immerse the battery in liquids, such as (salt) water or beverages. Contact with liquids can damage the battery.** This may result in heat build-up, smoke generation, ignition or explosion of the battery. Do not continue to use the battery and contact an after-sales service authorized by FEIN.

**Do not use a damaged battery. The use of a battery pack must be stopped immediately as soon as abnormal properties, such as odor development, heat, discoloration or deformation occur.** Continued operation can cause the battery to generate heat and smoke, ignite or explode.

**Do not open, crush, overheat or set fire to the battery.** Non-observance of this warning may result in burns and fire. Follow the manufacturer's instructions.

**Extinguish burning Li-ion batteries with water, sand or a fire blanket.**

**Avoid physical blows/impact. Impact and penetration of objects can damage batteries.** This may result in leakage, heat build-up, smoke generation, ignition or explosion of the battery.

**Never charge the battery unattended overnight.** Fire and explosion hazards can result in case of non-observance.

**Do not remove the battery from its original packaging until it is going to be used.**

**Remove the battery only when the power tool is switched off.**

**Before any work on the machine itself, remove the battery from the power tool.** If the power tool accidentally starts, there is danger of injury.

**Protect the battery against moisture and water.** Clean contaminated battery terminals and power tool connections with a dry, clean cloth.

**Remove the battery when transporting and storing the power tool.**

**Observe the safety instructions in the manuals of the chargers from FEIN or the AMP-Share partners.**

## Handling hazardous dusts.

**⚠ WARNING** When working with power tools, such as when grinding, sanding, polishing, sawing or for other work procedures where material is removed, dusts develop that are both hazardous to one's health and can spontaneously combust or be explosive.

Contact with or inhaling some dust types can trigger allergic reactions to the operator or bystanders and/or lead to respiratory infections, cancer, birth defects or other reproductive harm.

Examples of such materials which contain chemicals that can produce hazardous dusts, are:

- Asbestos and materials containing asbestos;
- Lead-containing coatings, some wood types such as beech and oak;
- Minerals and metal;
- Silicate particles from bricks, concrete and other materials containing stone;
- Solvent from solvent-containing paint/varnish;
- Arsenic, chromium and other wood preservatives;
- Materials for pesticide treatment on boat and ship hulls;
- Stainless steel dust, metal dust and non-ferrous metal dust;

To minimize the unwanted intake of these materials:

- Use dust extraction matched appropriately for the developing dust.
- Use personal protective equipment, such as a P2 filter-class dust protection mask.
- Provide for good ventilation of the workplace.

The risk from inhaling dusts depends on how often these materials are worked. Materials containing asbestos may only be worked on by specialists.

**⚠ CAUTION** Wood and light-metal dust can cause spontaneous combustion or explosions.

Hot mixtures of sanding dust and paint/varnish remainders or other chemical materials in the filter bag or the vac filter can self-ignite under unfavorable conditions, such as sparking from sanding metal, continuous sunlight or high ambient temperatures. To prevent this:

- Avoid overheating the material being sanded and the power tool.
- Empty the dust collector/container in time.
- Observe the material manufacturer's working instructions.
- Observe the relevant regulations in your country for the materials being worked.

## Vibration and noise emission values

**⚠ WARNING** While working with this power tool, hand/arm vibrations occur. These can lead to health impairments.

**⚠ WARNING** The vibration emission value during actual use of the power tool can differ from the declared value depending on the ways in which the tool is used.

**⚠ WARNING** It is necessary to identify safety measures to protect the operator that are based on an estimation of exposure in the actual conditions of use. The vibration and noise emission values given in these instructions have been measured according to a measurement method standardized in EN 62841 and can be used to compare power tools with each other. They are also suitable for a preliminary assessment of vibration and noise exposure.

**⚠** The given vibration and noise emission values represent the main applications of the power tool.

However, if the power tool is used for other applications, with deviating application tools or insufficient maintenance, the overall vibration values and the noise emission values may differ. This can significantly increase the vibration and noise exposure over the total working period.

For an accurate estimation of vibration and noise exposure, the durations when the equipment is switched off or running but not actually in use should also be taken into account. This may significantly reduce the vibration and noise exposure over the total working period.

**⚠** Identify additional safety measures to protect the operator from the effects of vibration and noise such as: Maintaining the power tool and accessories, keeping the hands warm, organization of work patterns.

## Emission values for sound (Two-figure – specifications as per ISO 4871)

### Sound emission

### AJMU 137 PMQW AS (\*\*)

A-weighted emission pressure power level measured at the workplace $L_{pA}$ (re 20 $\mu\text{Pa}$ ), in decibels	81.6
Measuring uncertainty $K_{pA}$ , in decibels	5
Measured A-weighted sound power level $L_{wA}$ (re 1 pW), in decibels	94.6
Measuring uncertainty $K_{wA}$ , in decibels	5
C-weighted peak sound pressure level measured at the workplace $L_{pCpeak}$ in decibels	96.2
Measuring uncertainty $K_{pCpeak}$ in decibels	5
Mean vibrational value (core drilling)	
– $\text{m/s}^2$	1.1
– $\text{ft/s}^2$	3.6
Measuring uncertainty $K$ , in	
– $\text{m/s}^2$	1.5
– $\text{ft/s}^2$	4.9

REMARK: The sum of the measured emission value and respective measuring inaccuracy represents the upper limit of the values that can occur during measuring.



Wear hearing protection!


















Measured values determined in accordance with the corresponding product standard.





















## Intended use of the power tool:

Magnetic core drill unit for drilling with core drill bits and solid drill bits, reaming, countersinking and tapping on materials with surfaces suitable for magnets in weather-protected environments using the application tools and accessories recommended by FEIN.








In environments subject to interference, a reduction of the operating quality is possible; this can include temporary failure, temporary reduction of the function or the intended operating behaviour, for the correction of which intervention by the operator is required.

## Symbols.

Symbol, character	Explanation
	Make sure to read the enclosed documents such as the Instruction Manual and the General Safety Instructions.
 Powered by BOSCH	AMPSHare is the shared battery system that allows you to use many tools from many professional brands with just one battery.
	Observe the instructions in the text or graphic opposite!
	Observe the instructions in the text or graphic opposite!
	Before commencing this working step, remove the battery from the power tool. Otherwise there may be danger of injury caused by unintentional starting of the power tool.
	Use eye protection during operation.
	Use ear protection during operation.
	Do not touch the rotating parts of the power tool.
	Do not charge damaged batteries.
	Protect the battery against heat, e.g., against continuous intense sunlight, fire, debris, water, and moisture.
	Warning against sharp edges of application tools, such as the cutting edges of the cutter blades.
	Danger of slipping!
	Danger of crushes or contusions!
	Caution! Falling objects!
	Hot surface!
	Do not reach in!
	Fasten strap!

Symbol, character	Explanation
	Risk of tipping over!
	Do not use magnet near cardiac pacemakers. The magnet generates a field that can impair the function of cardiac pacemakers.
	Switching on
	Switching off
	General prohibition sign. This action is prohibited.
	Confirms the conformity of the power tool with the guidelines of the European Community.
	This symbol confirms the certification of this product for the USA and Canada.
	This sign warns of a directly imminent, dangerous situation. A false reaction can cause a severe or fatal injury.
	This sign indicates a possible dangerous situation that could cause severe or fatal injury.
	This sign warns of a possible dangerous situation that could cause injury.
	Recycling code: identifies recyclable materials
	Worn out power tools and other electrotechnical and electrical products should be sorted separately for environmentally-friendly recycling.
	Identifies recyclable packaging and products that must be collected and disposed of separately.
	Battery type
	Charger type
	Tap size
	Steel
	Low speed
	High speed
	Magnetic holding power possibly sufficient

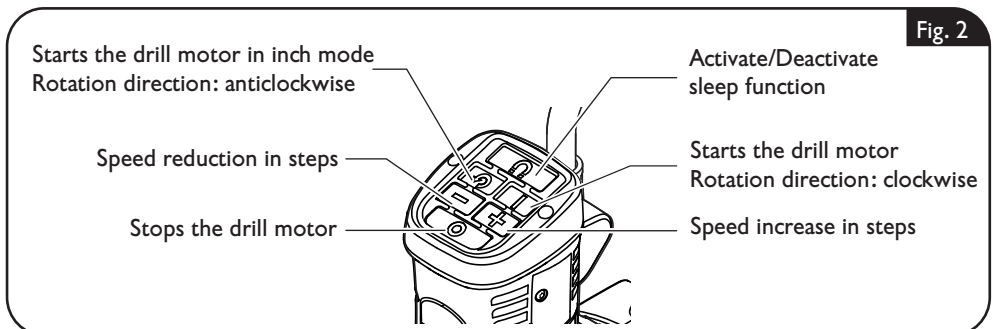
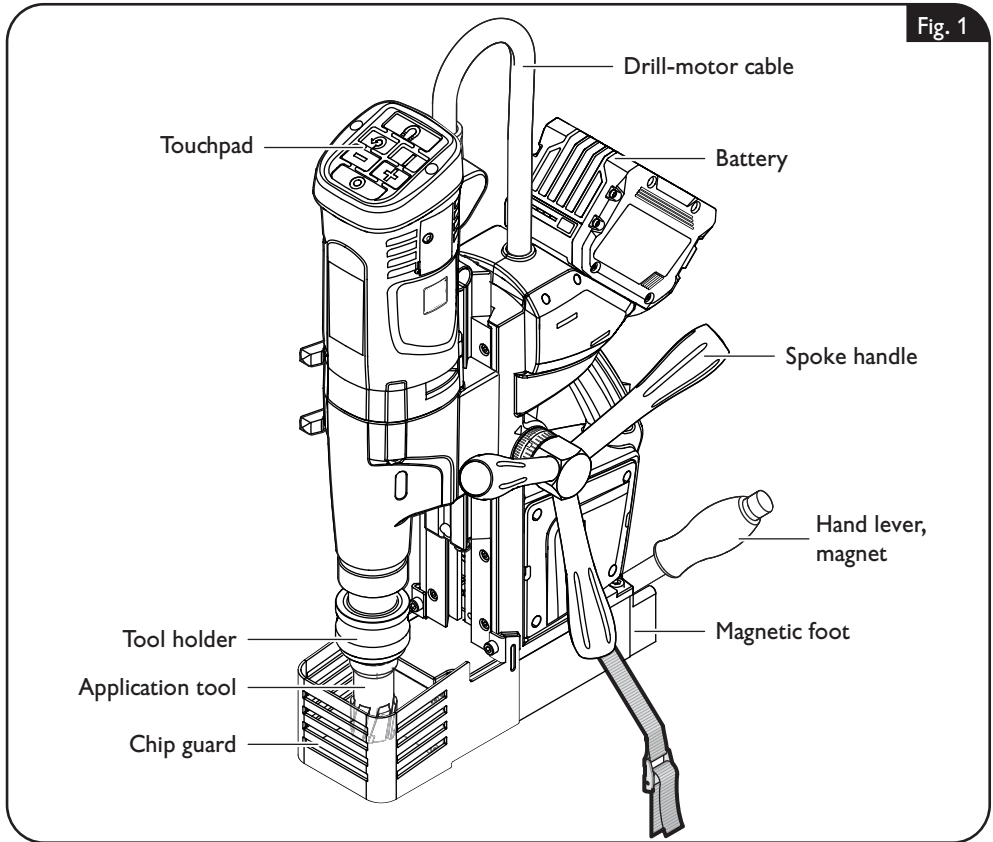


Symbol, character	Explanation
	Magnetic holding power, insufficient
	Start drill motor. Rotation direction: clockwise
	Start drill motor in inch mode. Rotation direction: counterclockwise
	Speed reduction in steps
	Speed increase in steps
	Stop motor
	Activate/Deactivate the sleep function
(Ax - Zx)	Marking for internal purposes
(**)	may contain numbers and letters



Character	Unit of measurement, international	Explanation
$n_{OR}$	rpm; /min; $\text{min}^{-1}$ ; r/min	No-load speed (right rotation)
$n_{OL}$	rpm; /min; $\text{min}^{-1}$ ; r/min	No-load speed (left rotation)
	$^{\circ}$	Angle width
$U$	V= / V d.c.	DC voltage
$m$	lbs	Weight
$l$	ft, in	Length, width, height, depth, diameter or thread
$\varnothing$	ft, in	Diameter of a round part
$K...$		Uncertainty
$a$	$\text{m/s}^2$	Vibrational emission value according to EN 62841 (vector sum of three directions)
	m, s, kg, A, mm, V, W, Hz, N, $^{\circ}\text{C}$ , dB, min, $\text{m/s}^2$	Basic and derived units of measurement from the international system of units <b>SI</b> .

## Technical description and specifications.

**⚠ WARNING** Before mounting or replacing application tools or accessories, remove the battery. This preventive safety measure rules out the danger of injuries through accidental starting of the power tool. Not all accessories described or shown in this instruction manual will be included with your power tool.



Type	AJMU 137 PMQW (**)
Order number	7 170 ...
Rated voltage	18 V <sub>---</sub>
No-load speed (right rotation)	520 /min
No-load speed (left rotation)	370 /min
Max. capacity in steel with up to 400 N/mm <sup>2</sup> – TCT (core drill bit)	7/16 in – 1 3/8 in 12 mm – 35 mm
Max. capacity in steel with up to 400 N/mm <sup>2</sup> – high speed steel (twist drill bit)	11/16 in 18 mm
Tapped hole	1/2 in M14
Reamer diameter	11/16 in 18 mm
Counterboring diameter	1/4 in 31 mm
Allowable ambient temperature	32 °F ... 113 °F 0 °C ... + 45 °C
Weight according to EPTA-Procedure 01	27.12 lbs 12.3 kg

Type	CORE 18V 8 Ah GBA18V80	CORE 18V 12 Ah GBA18V120
		
Weight according to EPTA-Procedure 01 (Battery)	2.12 lbs 0.96 kg	2.98 lbs 1.35 kg
Battery type		Lithium ion
Rated voltage		18 V <sub>---</sub>
Allowable ambient temperature during charging		32 °F ... 95 °F 0 °C ... + 35 °C
Battery charger		BC1880, GAL 18V-160

## Assembly instructions.

**⚠ WARNING** Before mounting or replacing application tools or accessories, remove the battery. This preventive safety measure rules out the danger of injuries through accidental starting of the power tool.

### Removing and charging the battery (figure 3).

❗ Prior to the first charging procedure, read the operating instructions of the battery charger.

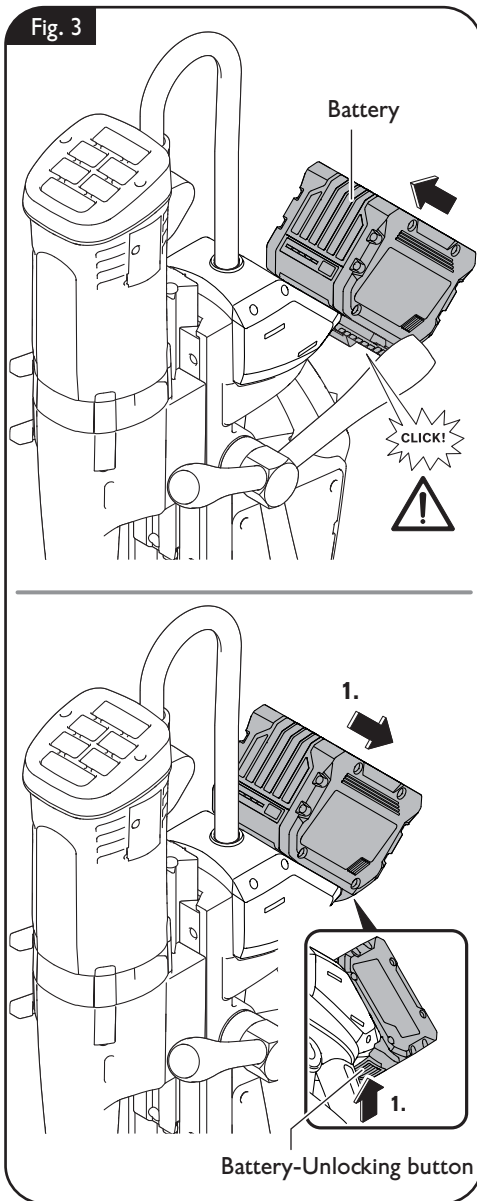
❗ Charge the battery completely before putting into operation for the first time.

Release the battery by pressing the battery-unlocking button and pull the battery out of the handle. Do not exert any force when doing this.

Connect the battery charger to a socket outlet, slide the battery onto the battery charger and charge the battery. After the charging process is over, insert the battery into the power tool and pull the plug of the battery charger out of the socket outlet.

A new battery does not reach its full capacity until after several charging and discharging procedures.

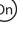

Make sure that the battery is properly engaged and can not fall out.



## Handling the battery.

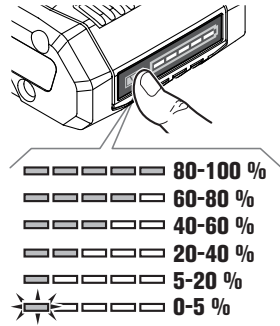
Charge the battery only at a temperature range from 0 °C ... 35 °C (32 °F ... 95 °F). At the beginning of the charging procedure, the battery temperature must be within the battery charging-temperature range.

## Charge-control indicator on battery (figure 4).

The charge condition can be indicated by the green LEDs of the charge-control indicator on the battery. The charge condition can only be read when the battery is removed. When the battery is mounted and the magnet is already activated, set the magnet lever back to 30% or, if required, back to 0% and then again to 100%. Press the charge-control indicator button  or  to indicate the charge condition.

When no LED lights up after pressing the charge-control indicator button, the battery is defective and must be replaced.

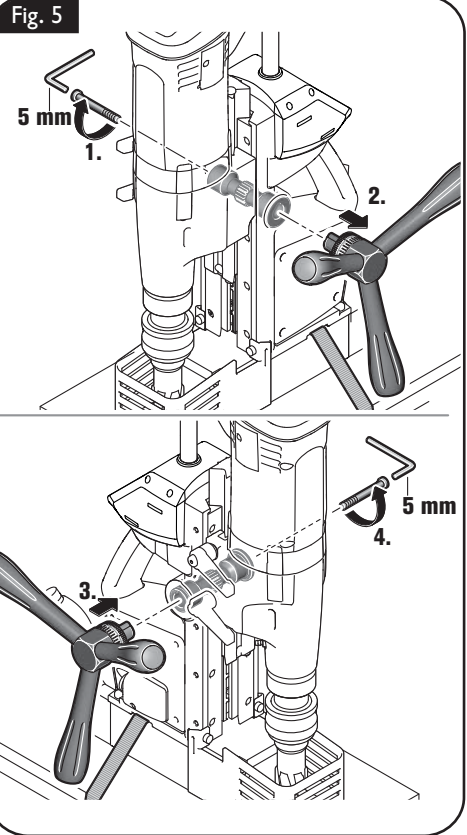
Fig. 4



## Mounting the spoke handle (figure 5).

The hub assembly can be mounted on either side.

Loosen the screw using a hex key.  
Remove the spoke handle.



Mount the spoke handle on the other side  
and tighten the screw using a hex key.

## Filling the coolant container (figure 6).

Do not use the magnetic core drill unit when the coolant-lubricant system is defective.

**Each time before operating**, check for tightness against leaks and for cracks in the hoses. Prevent liquids from entering or penetrating electrical components.

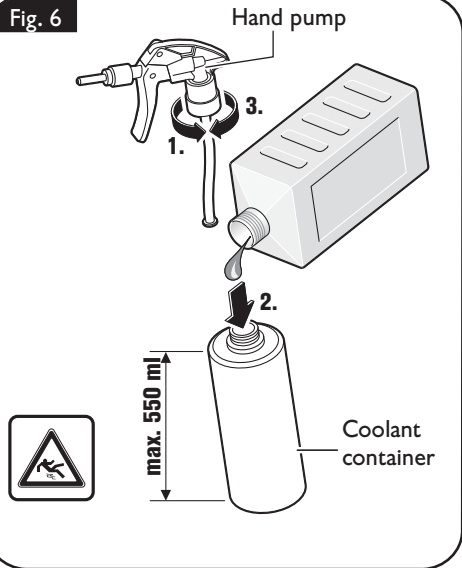
Unscrew the hand pump from the coolant container.

Only use a coolant-lubricant emulsion (**oil in water**) as the cooling agent.

Observe the manufacturer's instructions on coolant.

Screw the hand pump back onto the coolant container.

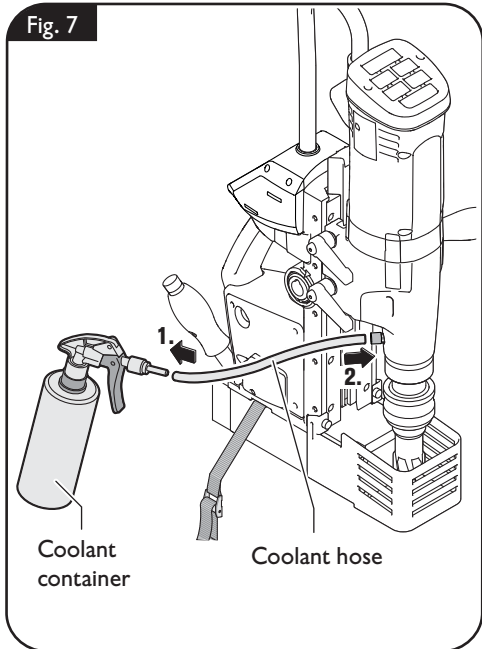
Fig. 6



## Connecting the coolant hose (figure 7).

Connect the coolant hose.

Fig. 7



## Changing the tool (figure 8).

**WARNING** Before mounting or replacing application tools or accessories, remove the battery. This preventive safety measure rules out the danger of injuries through accidental starting of the power tool.

**WARNING** Always secure the power tool with the supplied safety strap. When carrying out such work, beware of falling objects, such as cores or chips.

### Core drill bit

Insert the pilot pin into the cutter.  
Pull the clamping sleeve of the tool holder down and insert the core drill bit with the centering pin into the tool holder.

**Do not touch the sharp edges of the core drill bit.** Danger of injury.

### Drill chuck

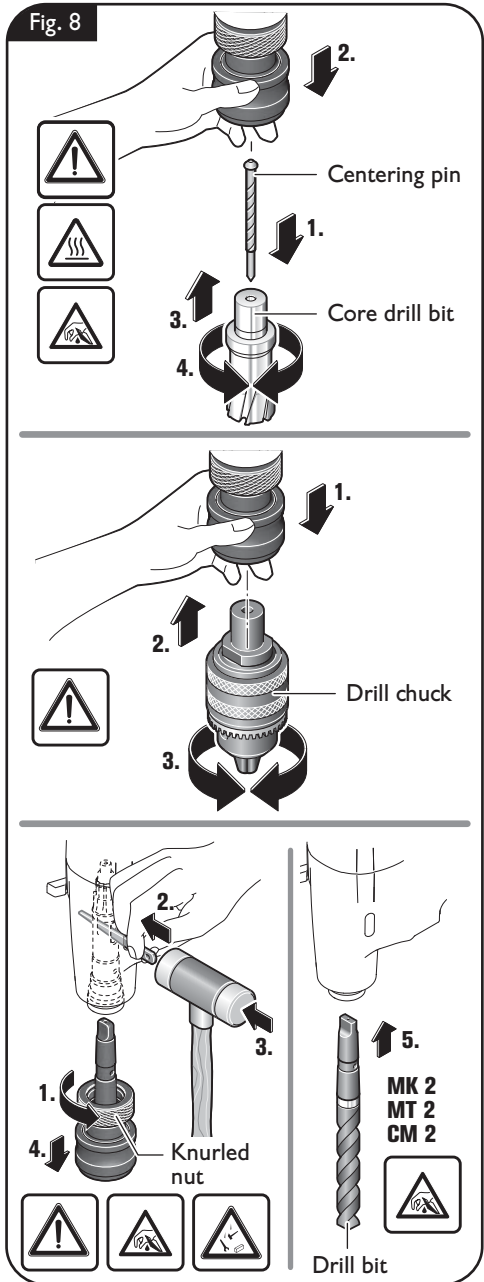
Pull the clamping sleeve of the tool holder down and insert the drill chuck.

### Drill bit

The knurled nut has a left-hand thread; turn clockwise to release!

Loosen the knurled nut and remove the tool holder by applying a hammer blow to the positioned drift.

Clean the inside cone of the output shaft and insert the drill bit.



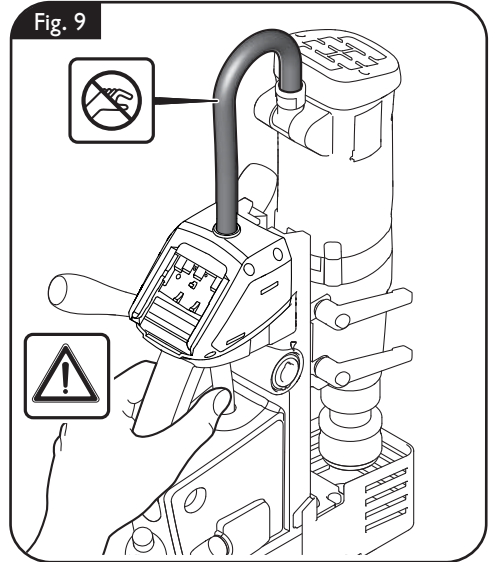


## Working instructions.

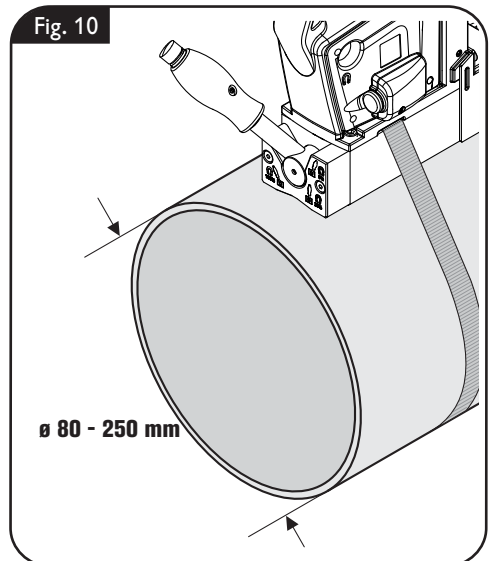
**⚠ WARNING** Before mounting or replacing application tools or accessories, remove the battery. This preventive safety measure rules out the danger of injuries through accidental starting of the power tool.

**⚠ WARNING** Always secure the power tool with the supplied safety strap. When carrying out such work, beware of falling objects, such as cores or chips.

**⚠** Always carry the power tool by its handle, not by the drill-motor cable. (figure 9).

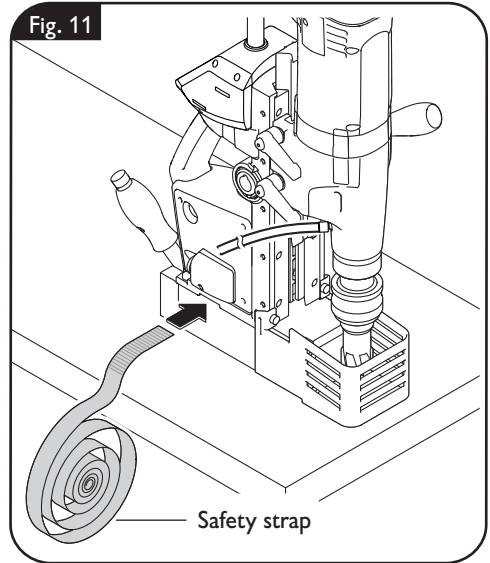


The magnetic foot has a concave shape. You can attach the magnetic foot directly to a pipe with a diameter of 80–250 mm. (figure 10)



## Fastening the measuring tool safety strap (figure 11).

Always secure the power tool to the work-piece with the supplied safety strap.



## For switching the magnet ON (figure 12).

❗ Pay attention that the set-up surface for the magnetic foot is flat, clean, rust-free and ice-free. Remove varnish, putty/filler layers and other materials. Prevent an air gap between the magnetic foot and the set-up surface. The air gap reduces the magnetic holding power.

❗ Do not operate this machine on hot surfaces; it could lead to a permanent reduction of the magnetic holding power.

❗ When working, always use the magnetic foot; pay attention that the magnetic holding power is sufficient:

- When the green button on the control panel lights up permanently, the magnetic holding power possibly is sufficient and the machine can be operated with **normal feed**.
- When the **Magnet** button on the control panel flashes, the magnetic holding power possibly is insufficient and the machine must be operated with **reduced feed**.

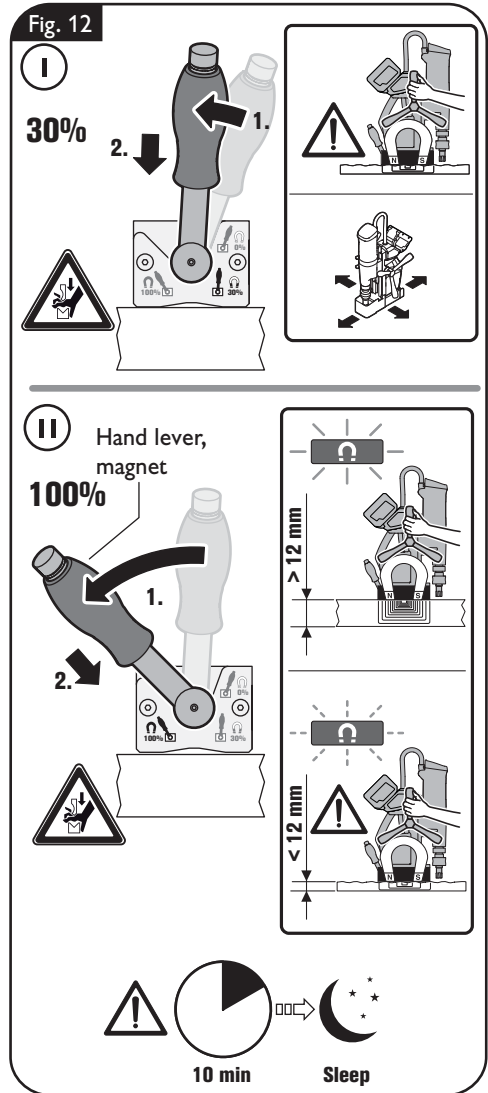
When working non-magnetic materials, suitable FEIN fastening devices, such as vacuum plates or pipe drilling devices, which are available as accessories, must be used. Observe the corresponding operating instructions for these.

Even when working on steel materials where the material thickness is below 9 mm, the workpiece must be made thicker with an additional steel plate in order to ensure the magnetic holding power.

The magnetic holding power can be switched step by step with the hand lever.

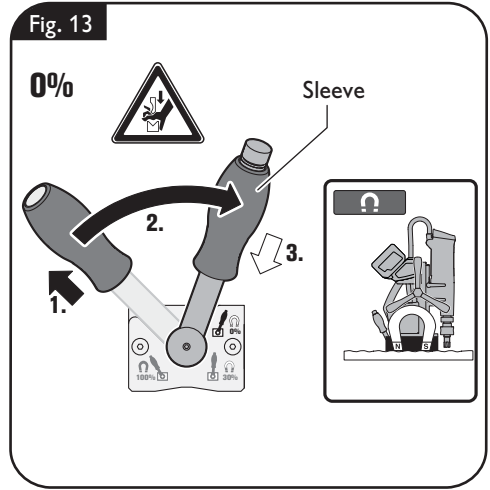
For positioning, set the hand lever to the 30% position; to switch the magnet on, set the hand lever to the 100% position.

After approx. 10 minutes without further actuation, the magnetic core drill unit automatically switches to the sleep function.



## Switching off the magnetization (figure 13).

Slide the handle-lever sleeve upward.  
Set the hand lever to the 0% position.  
The handle-lever sleeve automatically retracts back to the starting position.

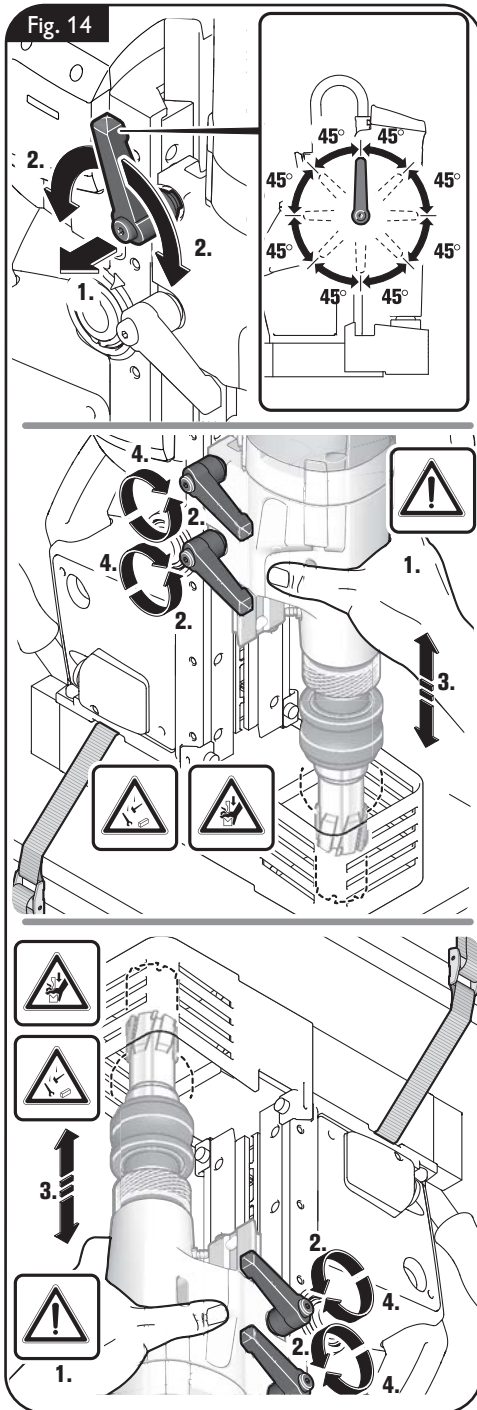


## Adjusting the stroke range (figure 14).

**CAUTION** Hold the power tool firmly with one hand when releasing the two fastening levers.

To move the fastening levers over each other, pull a fastening lever outward and then turn the fastening lever in 45° steps. Loosen both fastening levers with the other hand.

Adjust the desired stroke range. Tighten both fastening levers again.



## Activating and deactivating the coolant-lubricant flow (figure 15).

Do not use the magnetic core drill unit when the cooling-lubricant system is defective. Each time before operating, check for tightness against leaks and for cracks in the hoses. Prevent liquids from entering or penetrating electrical components.

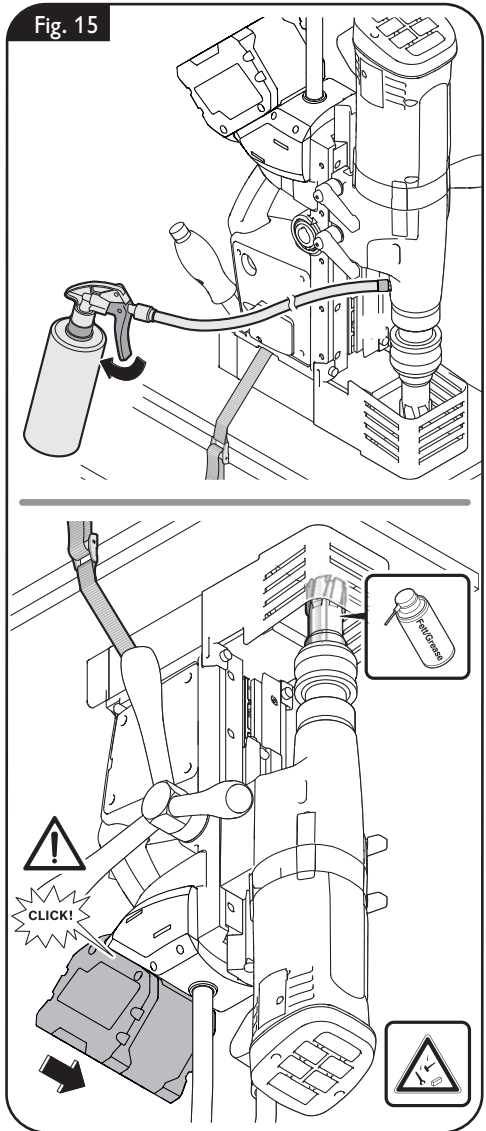
Insert the hose into the cooling-lubricant connection of the machine.

The cooling-lubricant flow is actuated by operating the hand pump.

When working overhead, use cooling-lubricant paste from Slugger by FEIN.

When drilling overhead, make sure that the battery is properly engaged and can not fall out.

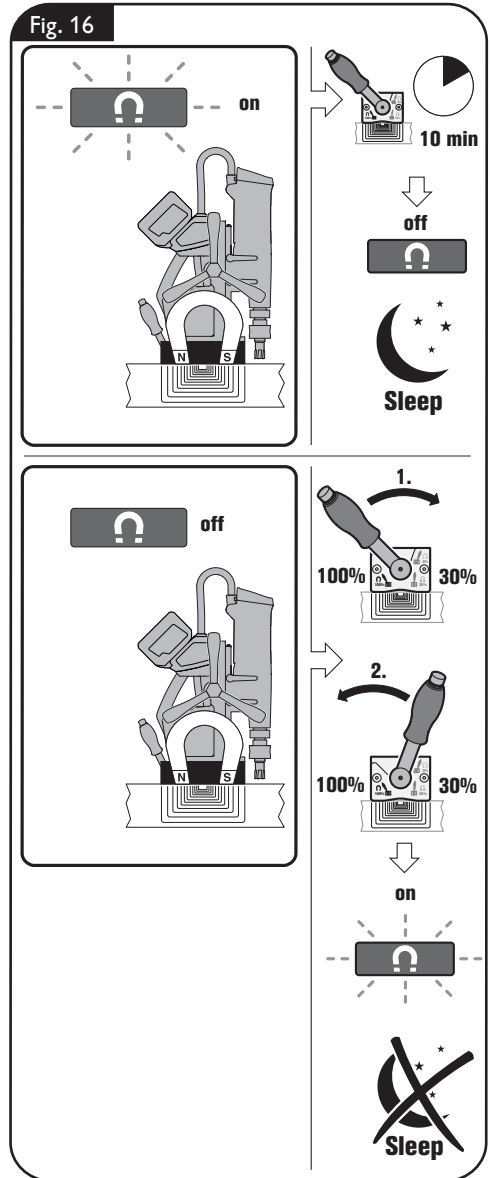
Fig. 15




## Sleep function (figure 16).


⚠ After switching on the permanent magnet, the magnetic core drill unit automatically switches to the sleep function after 10 minutes. This allows for energy to be saved.


To switch off the sleep function, set the magnet lever back to 30% or, if necessary, to 0% and then back to 100%.






## Starting and stopping the drill motor (figure 17).


To start the drill motor with clockwise rotation, press the button with the „“ symbol. The drill motor starts with the highest speed.

To lower the speed, press the „“ symbol.

To increase the speed, press the „“ symbol.

The last set speed is automatically stored (**memory function**). To start the power tool with the last set speed, press and hold the button with the  symbol, and then press the button with the symbol .

To stop the drill motor, press the „“ button.

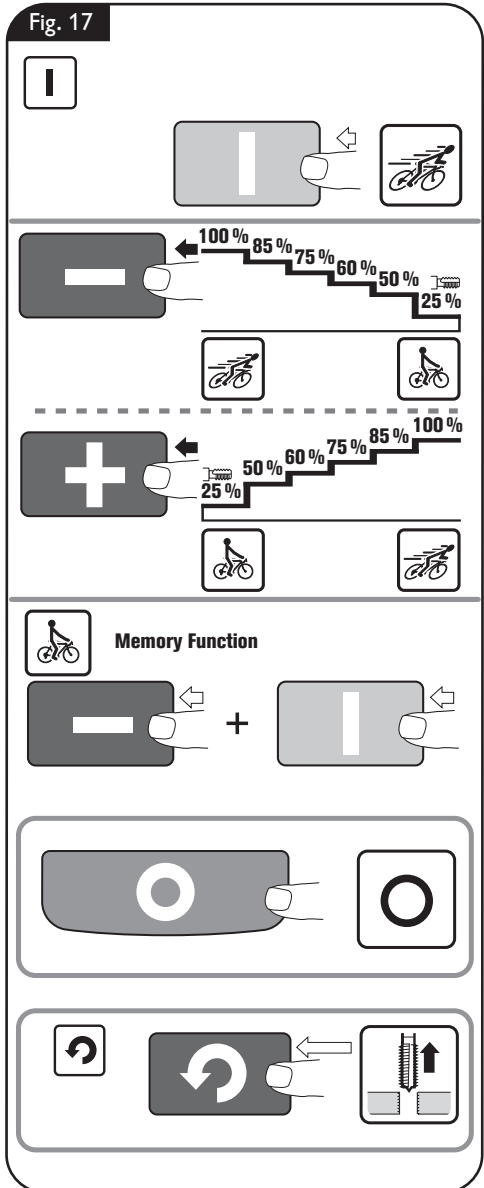
To start the drill motor with counterclockwise rotation, press the button with the „“ symbol. The drill motor will run as long as the button is pressed.

When the power supply is disconnected while the drill motor is running (e.g. removal of the battery), a protective circuit prevents automatic restarting of the drill motor. Restart the drill motor again.

Do not stop the drill motor during the drilling procedure.

**In case of overload, the drill motor automatically stops and must be restarted again.**

Fig. 17





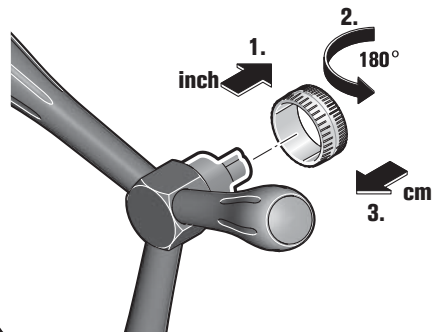
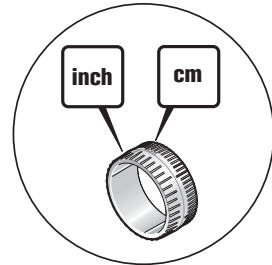
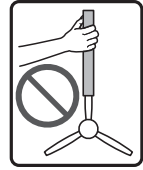
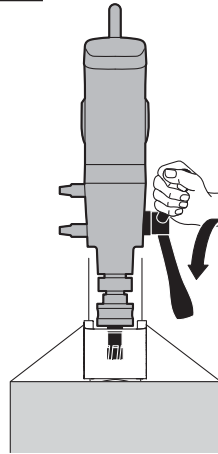
## Feed (figure 18).

Work only with the absolutely required amount of feed. Excessive feed can lead to breakage of the application tool and loss of the magnetic holding power.

To generate feed, turn the spoke handle manually while the drill motor is switched on.

The scale can be used with “inch” or with “cm” graduation.

Fig. 18



## Instructions for core drilling.

Only remove the cutting tool from the hole while the motor is running.

If the carbide tipped cutter should remain stuck in the material, stop the drill motor and carefully turn the carbide tipped cutter out counterclockwise.

After each drilling operation, remove the chips and the slug.

**!** Do not touch the chips with your bare hands. Always use a chip hook (6 42 01 001 00 0).

**!** Danger of burning!

When changing a cutting tool, pay attention not to damage the cutting edges.

For core drilling in layered material, use a suitable ID core drill from Slugger by FEIN. When core drilling layered material, remove the core and the chips after having drilled through each layer.

Error message/ Response of magnet button	Meaning	Corrective action
Indicator lights up green	Magnetic holding power possibly sufficient	
Indicator flashes green	Magnetic holding power, insufficient	Even when working on steel materials where the material thickness is below 9 mm, the workpiece must be made thicker with an additional steel plate in order to ensure the magnetic holding power.
Indicator flashes red once or several times	Motion sensor has actuated	After malfunction correction, the power tool can be switched on again.
	Overload shut-off has actuated	
	Buttons for counterclockwise rotation/clockwise rotation/STOP blocked	
	Battery charge too low	Check charge condition of battery
Indicator lights up red for 1 s and then goes out	Power tool is defective	Send the machine to your FEIN customer service agent.
Indicator does not light up	The machine is in sleep function	Set magnet lever back to 30% or, if required, back to 0% and then again to 100% (sleep function is deactivated).
	Battery dead or defective	Check charge condition of battery
	Power tool is defective	Send the machine to your FEIN customer service agent.

## Repair and customer service.

**⚠ WARNING** Before mounting or replacing application tools or accessories, remove the battery. This preventive safety measure rules out the danger of injuries through accidental starting of the power tool.

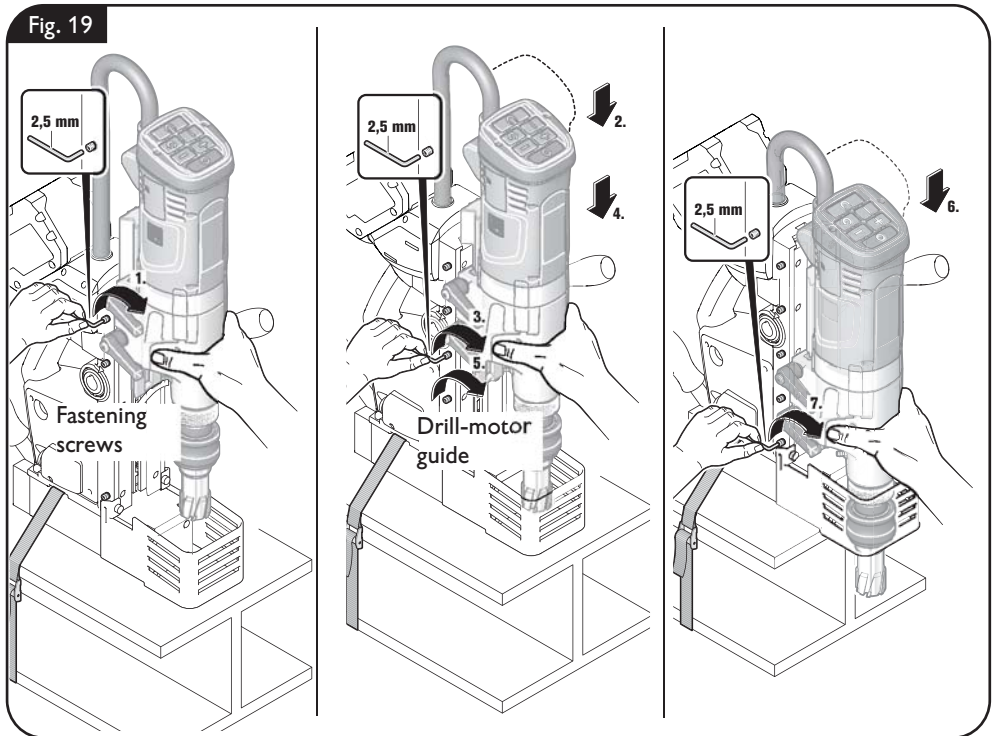
### Exchangeable parts

If required, you can change the following parts yourself:

Application tools, hand pump, battery

### Drill-motor guide (figure 19).

After several hours of operation, the play in the dove-tail guide can increase. As a consequence, the drill motor can glide along the dove-tail guide by itself. This can lead to the motor drifting down and damaging the cutting tool. In this case, retighten all fastening screws of the dove-tail guide correspondingly so that the drilling motor can easily be moved manually, yet does not glide by itself.



## Service.

**⚠ WARNING** Have maintenance carried out only through qualified personnel. Incorrectly mounted leads and components can cause serious injuries.

Have the required service carried out only through a FEIN customer service agent.

**⚠ CAUTION**

When the power tool's power supply cable is damaged, it must be replaced using a specially prepared power supply cable, available from your FEIN customer service agent.

Renew stickers and warning indications on the power tool when aged and worn.

Products that have come into contact with asbestos may not be sent in for repair. Dispose of products contaminated with asbestos according to the applicable country-specific regulations for such disposal.

For FEIN power tools and accessories in need of repair, please contact your FEIN after-sales service. The address can be found on the Internet under [www.fein.com](http://www.fein.com).

Renew stickers and warning indications on the power tool when aged and worn.

The current spare parts list for this power tool can be found in the Internet at [www.fein.com](http://www.fein.com).

Use only original spare parts.

## Cleaning.

**⚠ WARNING** Remove the battery prior to any maintenance and cleaning. This preventive safety measure rules out the danger of injuries through accidental starting of the power tool.

**⚠ WARNING** When using in environments with conductive dust in the air, such as when working metals, this dust can settle in the interior of the power tool. Therefore, regularly blow out the interior of the power tool from outside via the ventilation openings with dry, oil-free compressed air; always wear eye protection when doing this.

**⚠ CAUTION** Do not attempt to clean clogged or dirty ventilation openings of the power tool with pointed metal objects; use nonmetal tools or objects if necessary.

**⚠ CAUTION** Do not use cleaning agents and solvents that can cause damage to plastic parts. These include: Gasoline, carbon tetrachloride, chloric solvents, ammonia and domestic cleaning agents that contain ammonia.

Occasionally clean the ventilation slots and the battery terminals with a soft, clean and dry brush.

- Do not use chemical substances for cleaning the battery.

### Coolant-lubricant system.

Flush the coolant-lubricant system with water, clean and drain it completely when not using the machine for periods longer than two weeks.

---

## Warranty and liability.

---

The warranty for the product is valid in accordance with the legal regulations in the country where it is marketed. In addition, FEIN also provides a guarantee in accordance with the FEIN manufacturer's warranty declaration.

Not all accessories described or shown in this instruction manual will be included with your power tool.

---

## Environmental protection, disposal.

---



**Do not dispose of the batteries into household waste!**

Packaging, worn out power tools and accessories should be sorted for environmental-friendly recycling.

Dispose of batteries only when discharged.

For batteries that are not completely discharged, insulate the terminals with tape as a protective measure against short-circuiting.

---

## Transport.

---

The Li-ion batteries are subject to the Dangerous Goods Legislation requirements. The user can transport the batteries by road without further requirements.

When being transported by third parties (e.g.: air transport or forwarding agency), special requirements on packaging and labelling must be observed. For preparation of the item being shipped, consulting an expert for hazardous material is required.

Dispatch batteries only when the housing is undamaged. Tape or mask off open contacts and pack up the battery in such a manner that it cannot move around in the packaging. Please also observe possibly more detailed national regulations.

**Provided accessories (figure 20).**

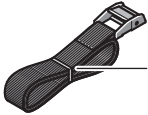
Fig. 20



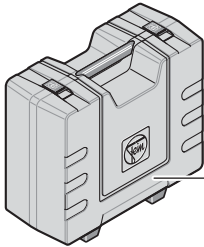
Tool holder



Drift



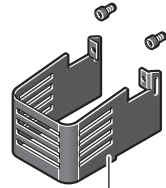
Safety strap



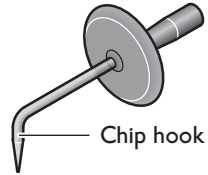
Power tool carrying case



Coolant container



Chip guard



Chip hook

**100 mm**


Centering pin

## Pour votre sécurité.

### **AVERTISSEMENT** Lire tous les avertissements de sécurité et

toutes les instructions. Ne pas suivre les avertissements et instructions peut donner lieu à une électrocution, un incendie et/ou une blessure sérieuse.

**Conservez tous les avertissements et toutes les instructions pour pouvoir vous y reporter ultérieurement.**

 Ne pas utiliser cet outil électrique avant d'avoir soigneusement lu et parfaitement compris cette notice d'utilisation y compris les figures, les spécifications, les consignes de sécurité ainsi que les indications marquées par DANGER, AVERTISSEMENT et ATTENTION.

N'utiliser cet outil électrique que pour les travaux pour lesquels il a été conçu par le fabricant. N'utiliser que des outils de travail et accessoires autorisés par le fabricant.

De même, respecter les dispositions concernant la prévention des accidents du travail en vigueur dans le pays en question.

Le non-respect des instructions de sécurité se trouvant dans la documentation mentionnée peut entraîner un choc électrique, un incendie et / ou de graves blessures.

Bien garder cette notice d'utilisation en vue d'une utilisation ultérieure ; elle doit être jointe à l'appareil en cas de transmission ou de vente à une tierce personne.

**GARDER SOIGNEUSEMENT CES INSTRUCTIONS DE SECURITE.**

Le terme « outil électrique » dans les consignes de sécurité fait référence à votre outil électrique alimenté par le secteur (avec cordon d'alimentation) ou votre outil fonctionnant sur batterie (sans cordon d'alimentation).

## Instructions générales de sécurité.

### 1) Sécurité de la zone de travail

a) **Maintenir la zone de travail propre et bien éclairée.** Les zones en désordre ou sombres sont propices aux accidents.

b) **Ne pas faire fonctionner les outils électriques en atmosphère explosive, par exemple en présence de liquides inflammables, de gaz ou de poussières.** Les outils électriques produisent des étincelles qui peuvent enflammer les poussières ou les fumées.

c) **Maintenir les enfants et les personnes présentes à l'écart pendant l'utilisation de l'outil électrique.** Les distractions peuvent vous faire perdre le contrôle de l'outil.

### 2) Sécurité électrique

a) **Il faut que les fiches de l'outil électrique soient adaptées au socle. Ne jamais modifier la fiche de quelque façon que ce soit. Ne pas utiliser d'adaptateurs avec des outils électriques à branchement de terre.** Des fiches non modifiées et des socles adaptés réduisent le risque de choc électrique.

b) **Éviter tout contact du corps avec des surfaces reliées à la terre telles que les tuyaux, les radiateurs, les cuisinières et les réfrigérateurs.** Il existe un risque accru de choc électrique si votre corps est relié à la terre.

c) **Ne pas exposer les outils électriques à la pluie ou à des conditions humides.** La pénétration d'eau à l'intérieur d'un outil électrique augmente le risque de choc électrique.

d) **Veiller à ne pas endommager le cordon. Ne jamais utiliser le cordon pour porter, tirer ou débrancher l'outil électrique. Maintenir le cordon à l'écart de la chaleur, du lubrifiant, des arêtes vives ou des parties en mouvement.** Des cordons endommagés ou emmêlés augmentent le risque de choc électrique.

e) **Lorsqu'on utilise un outil électrique à l'extérieur, utiliser un prolongateur adapté à l'utilisation extérieure.** L'utilisation d'un cordon adapté à l'utilisation extérieure réduit le risque de choc électrique.

- f) **Si l'usage d'un outil électrique dans un emplacement humide est inévitable, utiliser une alimentation protégée par un dispositif à courant différentiel résiduel (RCD).** L'usage d'un RCD réduit le risque de choc électrique.
- 3) **Sécurité des personnes**
- a) **Rester vigilant, regarder ce que vous êtes en train de faire et faire preuve de bon sens dans votre utilisation de l'outil électrique. Ne pas utiliser un outil électrique lorsque vous êtes fatigué ou sous l'emprise de drogues, de l'alcool ou de médicaments.** Un moment d'inattention en cours d'utilisation d'un outil électrique peut entraîner des blessures graves.
- b) **Utiliser un équipement de protection individuelle. Toujours porter une protection pour les yeux.** Les équipements de protection individuelle tels que les masques contre les poussières, les chaussures de sécurité antidérapantes, les casques ou les protections auditives utilisés pour les conditions appropriées réduisent les blessures.
- c) **Éviter tout démarrage intempestif. S'assurer que l'interrupteur est en position arrêt avant de brancher l'outil au secteur et/ou au bloc de batteries, de le ramasser ou de le porter.** Porter les outils électriques en ayant le doigt sur l'interrupteur ou brancher des outils électriques dont l'interrupteur est en position marche est source d'accidents.
- d) **Retirer toute clé de réglage avant de mettre l'outil électrique en marche.** Une clé laissée fixée sur une partie tournante de l'outil électrique peut donner lieu à des blessures.
- e) **Ne pas se précipiter. Garder une position et un équilibre adaptés à tout moment.** Cela permet un meilleur contrôle de l'outil électrique dans des situations inattendues.
- f) **S'habiller de manière adaptée. Ne pas porter de vêtements amples ou de bijoux. Garder les cheveux et les vêtements à distance des parties en mouvement.** Des vêtements amples, des bijoux ou les cheveux longs peuvent être pris dans des parties en mouvement.
- g) **Si des dispositifs sont fournis pour le raccordement d'équipements pour l'extraction et la récupération des poussières, s'assurer qu'ils sont connectés et correctement utilisés.** Utiliser des collecteurs de poussière peut réduire les risques dus aux poussières.
- h) **Rester vigilant et ne pas négliger les principes de sécurité de l'outil sous prétexte que vous avez l'habitude de l'utiliser.** Une fraction de seconde d'inattention peut provoquer une blessure grave.
- 4) **Utilisation et entretien de l'outil électrique**
- a) **Ne pas forcer l'outil électrique. Utiliser l'outil électrique adapté à votre application.** L'outil électrique adapté réalise mieux le travail et de manière plus sûre au régime pour lequel il a été construit.
- b) **Ne pas utiliser l'outil électrique si l'interrupteur ne permet pas de passer de l'état de marche à arrêt et inversement.** Tout outil électrique qui ne peut pas être commandé par l'interrupteur est dangereux et il faut le réparer.
- c) **Débrancher la fiche de la source d'alimentation et/ou enlever le bloc de batteries, s'il est amovible, avant tout réglage, changement d'accessoires ou avant de ranger l'outil électrique.** De telles mesures de sécurité préventives réduisent le risque de démarrage accidentel de l'outil électrique.
- d) **Conserver les outils électriques à l'arrêt hors de la portée des enfants et ne pas permettre à des personnes ne connaissant pas l'outil électrique ou les présentes instructions de le faire fonctionner.** Les outils électriques sont dangereux entre les mains d'utilisateurs novices.



- e) **Observer la maintenance des outils électriques et des accessoires. Vérifier qu'il n'y a pas de mauvais alignement ou de blocage des parties mobiles, des pièces cassées ou toute autre condition pouvant affecter le fonctionnement de l'outil électrique. En cas de dommages, faire réparer l'outil électrique avant de l'utiliser.** De nombreux accidents sont dus à des outils électriques mal entretenus.
- f) **Garder affûtés et propres les outils permettant de couper.** Des outils destinés à couper correctement entretenus avec des pièces coupantes tranchantes sont moins susceptibles de bloquer et sont plus faciles à contrôler.
- g) **Utiliser l'outil électrique, les accessoires et les lames etc., conformément à ces instructions, en tenant compte des conditions de travail et du travail à réaliser.** L'utilisation de l'outil électrique pour des opérations différentes de celles prévues peut donner lieu à des situations dangereuses.
- h) **Il faut que les poignées et les surfaces de préhension restent sèches, propres et dépourvues d'huiles et de graisses.** Des poignées et des surfaces de préhension glissantes rendent impossibles la manipulation et le contrôle en toute sécurité de l'outil dans les situations inattendues.
- 5) **Utilisation des outils fonctionnant sur batteries et précautions d'emploi**
- a) **Ne recharger qu'avec le chargeur spécifié par le fabricant.** Un chargeur qui est adapté à un type de bloc de batteries peut créer un risque de feu lorsqu'il est utilisé avec un autre type de bloc de batteries.
- b) **N'utiliser les outils électriques qu'avec des blocs de batteries spécifiquement désignés.** L'utilisation de tout autre bloc de batteries peut créer un risque de blessure et de feu.
- c) **Lorsqu'un bloc de batteries n'est pas utilisé, le maintenir à l'écart de tout autre objet métallique, par exemple trombones, pièces de monnaie, clés, clous, vis ou autres objets de petite**
- taille qui peuvent donner lieu à une connexion d'une borne à une autre.** Le court-circuitage des bornes d'une batterie entre elles peut causer des brûlures ou un feu.
- d) **Dans de mauvaises conditions, du liquide peut être éjecté de la batterie; éviter tout contact. En cas de contact accidentel, nettoyer à l'eau. Si le liquide entre en contact avec les yeux, rechercher en plus une aide médicale.** Le liquide éjecté des batteries peut causer des irritations ou des brûlures.
- e) **Ne pas utiliser un bloc de batteries ou un outil fonctionnant sur batteries qui a été endommagé ou modifié.** Les batteries endommagées ou modifiées peuvent avoir un comportement imprévisible provoquant un feu, une explosion ou un risque de blessure.
- f) **Ne pas exposer un bloc de batteries ou un outil fonctionnant sur batteries au feu ou à une température excessive.** Une exposition au feu ou à une température supérieure à 130 °C peut provoquer une explosion.
- g) **Suivre toutes les instructions de charge et ne pas charger le bloc de batteries ou l'outil fonctionnant sur batteries hors de la plage de températures spécifiée dans les instructions.** Un chargement incorrect ou à des températures hors de la plage spécifiée de températures peut endommager la batterie et augmenter le risque de feu.
- 6) **Maintenance et entretien**
- a) **Faire entretenir l'outil électrique par un réparateur qualifié utilisant uniquement des pièces de rechange identiques.** Cela assure le maintien de la sécurité de l'outil électrique.
- b) **Ne jamais effectuer d'opération d'entretien sur des blocs de batteries endommagés.** Il convient que l'entretien des blocs de batteries ne soit effectué que par le fabricant ou les fournisseurs de service autorisés.

## Instructions particulières de sécurité.

### Consignes de sécurité relatives aux unités de perçage.

**Pour tout travail de perçage qui nécessite l'utilisation d'eau, évacuer l'eau de la zone de travail ou utiliser un dispositif de recueil de liquides.** De telles mesures de prévention maintiennent la zone de travail sèche et réduisent le risque d'électrocution.

**Tenir l'outil électrique par les surfaces isolées des poignées lors des travaux pendant lesquels l'outil de coupe risque de toucher des câbles électriques cachés.** Le contact de l'accessoire coupant avec un fil « sous tension » peut également mettre « sous tension » les parties métalliques exposées de l'outil électrique et provoquer un choc électrique sur l'opérateur.

**Porter une protection acoustique lors du perçage.** Une forte exposition au bruit peut provoquer une perte d'audition.

**Au cas où l'outil électrique se bloque, ne plus exercer d'avance et éteindre l'outil électrique.** Contrôler la raison du blocage et éliminer la cause provoquant le coincement d'accessoires.

**Si vous voulez redémarrer une unité de perçage qui se trouve dans une pièce à travailler, vérifier avant de la mettre en marche si l'accessoire peut tourner librement.** Un accessoire coincé ne tournera probablement pas : ceci surchargera la machine ou provoquera le détachement de l'unité de perçage de la pièce à travailler.

**Lors de la fixation du montant de carottage sur la pièce à travailler au moyen d'une plaque aspirante, veiller à ce que la surface soit lisse, propre et non poreuse. Ne pas attacher le montant de carottage sur des surfaces laminées telles que par ex. carreaux et revêtements de matériaux composites.** Si la surface de la pièce à travailler n'est pas lisse, plane ou suffisamment fixée, la plaque à vide peut se détacher de la pièce à travailler.

**S'assurer avant et lors de l'opération de perçage que la force de retenue est suffisante.** Si la force de retenue n'est pas suffisante, la plaque aspirante pourrait se détacher de la pièce à travailler.

**Lors d'opérations de perçage à travers un mur ou un plafond, veiller à ce que les personnes et la zone de travail se trouvant de l'autre côté du perçage soient protégés.** La couronne peut dépasser le trou et la carotte peut tomber de l'autre côté.

**Ne pas utiliser cet outil pour des travaux par-dessus la tête avec alimentation en eau.** La pénétration d'eau à l'intérieur de l'outil électrique augmente le risque de choc électrique.

### Instructions particulières de sécurité.

**Ne pas utiliser un outil électrique endommagé. Avant chaque utilisation de l'outil électrique, vérifier que le boîtier et les autres composants ne sont pas endommagés (fissures ou cassures).**

**Toujours porter un équipement de protection. En fonction de l'application, porter un écran facial ou des lunettes de sécurité. Utiliser une protection auditive.** Les lunettes de sécurité doivent pouvoir protéger les yeux contre les particules projetées lors de toutes sortes de travaux. Une exposition permanente au bruit intense peut provoquer une perte de l'audition.

**Ne pas toucher les bords aigus de la fraise à carotter.** Danger de blessure.

**Pour éviter des blessures, contrôler les fraises à carotter avant tout travail. N'utiliser que des fraises à carotter en parfait état qui ne sont pas déformées.** Les fraises à carotter endommagées ou déformées peuvent entraîner des blessures graves.

**Avant la première mise en service : Monter le protège-mains sur la machine.**

**Sécuriser l'outil électrique uniquement avec la sangle livrée.** Lors des travaux, veiller à toujours se protéger contre les objets tombants tels que carottes et copeaux.

**Effectuer les travaux sur les éléments de construction verticaux ou au-dessus de la tête sans utiliser la pompe à main.** Utiliser un spray refroidissant. Les liquides qui entreraient dans l'outil électroportatif peuvent causer un choc électrique..

**Éviter de toucher la carotte qui est automatiquement éjectée par l'éjecteur quand le travail est terminé.** Le contact avec la carotte brûlante ou qui tombe peut entraîner des blessures.

**Maintenir vos mains, vêtements etc. toujours loin des copeaux en rotation pour éviter de vous blesser.** Les copeaux peuvent causer des blessures. Utilisez toujours le pare-copeaux.

**N'essayez pas d'enlever l'outil de travail tant qu'il est en rotation.** Ceci peut causer de graves blessures.

**Faire attention aux câbles électriques, conduites de gaz et d'eau éventuellement cachés.** Avant de commencer le travail, contrôler la zone de travail à l'aide d'un détecteur de métaux par exemple.

**Ne pas travailler de matériaux contenant du magnésium.** Il y a risque d'incendie.

**Ne pas travailler du PRFC (plastique à renfort fibre de carbone) et pas de matériaux contenant de l'amiante.** Ils sont considérés cancérogènes.

**Il est interdit de visser ou de riveter des plaques ou des repères sur l'outil électrique.**

Une isolation endommagée ne présente aucune protection contre une électrocution.

**Ne pas surcharger l'outil électrique ou le coffret de rangement et ne pas l'utiliser en tant qu'échelle ou échafaudage.** Surcharger ou se placer sur l'outil électrique ou le coffret de rangement peut causer le déplacement du centre de gravité de l'outil électrique ou du coffret de rangement vers le haut provoquant ainsi le renversement de ce dernier.

**N'utilisez pas des accessoires qui n'ont pas été spécialement conçus ou autorisés par le fabricant de l'outil électrique.** Le seul fait qu'un accessoire puisse être monté sur votre outil électrique ne garantit pas une utilisation sans risque.

**Nettoyez régulièrement les ouïes de ventilation de l'outil électrique avec des outils non métalliques.** La ventilation du moteur aspire la poussière à l'intérieur du carter. Une trop grande quantité de poussière de métal accumulée peut provoquer des incidents électriques.

## Utilisation et entretien de la batterie (blocs de batterie)

**Les présentes consignes de sécurité ne sont valables que pour les batteries 18V-FEIN-Li-Ionen-AMPSHare.**

**N'utiliser la batterie que dans les produits des partenaires AMPSHare.** Les batteries 18V marquées AMPSHare sont entièrement compatibles avec les produits suivants :

- tous les produits du système FEIN-18V-AMPSHare
- tous les produits 18V des partenaires AMPSHare.

**Lors du travail avec et lors du chargement de batteries d'un type ne convenant pas à l'outil, de batteries endommagées, réparées ou modifiées, de batteries contrefaites ou d'autres fabricants, il y a danger d'incendie et/ou d'explosion.**

**Respecter les recommandations relatives aux batteries figurant dans la notice d'utilisation de votre produit.** C'est la seule façon de faire fonctionner la batterie et le produit en toute sécurité et de protéger les batteries d'une surcharge dangereuse.

**Ne recharger les batteries qu'à l'aide des chargeurs recommandés par FEIN ou l'un des partenaires AMPSHare.** Un chargeur approprié à un type spécifique de batterie peut engendrer un risque d'incendie lorsqu'il est utilisé avec d'autres batteries.

**La batterie est fournie en état de charge faible.** Afin de garantir la puissance complète de la batterie, chargez-la complètement dans le chargeur avant la première mise en service.

**Conserver les batteries hors de la portée des enfants.**

**Ne pas démonter, ouvrir ni fractionner les batteries. Ne pas exposer les batteries à des chocs mécaniques.** En cas d'endommagement et d'utilisation non conforme de la batterie, des vapeurs et liquides nuisibles peuvent s'échapper. Les vapeurs peuvent irriter les voies respiratoires. Le liquide qui s'échappe de la batterie peut entraîner des irritations de la peau ou causer des brûlures.

**Au cas où la peau entrerait en contact avec le liquide de batterie, rincer immédiatement avec abondamment de l'eau. Si le liquide de la batterie entre en contact avec les yeux, rincer les yeux à l'eau propre et consulter immédiatement un médecin !**

**Si le liquide de la batterie a mouillé des objets adjacents, vérifier les pièces concernées. Porter des gants de protection pour éviter tout contact avec la peau. Nettoyer les pièces à l'aide d'un papier de ménage sec ou remplacer les pièces si nécessaire.** Les vapeurs qui s'échappent peuvent irriter les voies respiratoires. Le liquide qui s'échappe de la batterie peut entraîner des irritations de la peau ou causer des brûlures.

**Ne pas court-circuiter la batterie. Tenir la batterie non-utilisée à l'écart de toutes sortes d'objets métalliques tels qu'agrafes, pièces de monnaie, clés, clous, vis ou autres, car un pontage pourrait provoquer un court-circuit.** Un court-circuit entre les contacts de la batterie peut provoquer des brûlures ou un incendie.

**La batterie peut être endommagée par des objets pointus tels qu'un clou ou un tournevis ou par l'impact d'une force extérieure.**

Un court-circuit interne peut se produire et la batterie peut prendre feu, fumer, exploser ou surchauffer.

**Ne jamais entretenir des batteries endommagées.** L'entretien des batteries ne doit être effectué que par le fabricant ou par un centre de service autorisé.



**Protéger la batterie de la chaleur, par ex. une exposition directe au soleil, du feu, des encrassements, de l'eau et de l'humidité.** Il existe un risque d'explosion et de court-circuit.



**N'utiliser et ne stocker la batterie que dans la plage de température ambiante entre -20 °C et +50 °C.** Ne laissez pas la batterie longtemps dans la voiture par ex. en été. À des températures < 0 °C, les performances peuvent être réduites de manière spécifique à l'outil.

**Recharger la batterie uniquement à des températures ambiantes comprises entre 0 °C et +35 °C. Recharger la batterie avec le port USB uniquement via ce dernier à des températures ambiantes comprises entre +10 °C et +35 °C.** Charger en dehors de la plage de température peut endommager la batterie ou augmenter le risque d'incendie.

**Manipuler les batteries déchargées avec précaution. Les batteries constituent une source de danger, car elles peuvent provoquer un courant de court-circuit très élevé.** Même si les batteries Li-ion semblent être à l'état déchargé, elles ne se déchargent jamais complètement.

**Ne pas immerger la batterie dans des liquides tels que l'eau (salée) ou des boissons. Le contact avec des liquides peut endommager la batterie.** Cela peut entraîner un dégagement de chaleur, de la fumée, une inflammation ou une explosion de la batterie. Ne pas continuer à utiliser la batterie et s'adresser à un service après-vente agréé par FEIN.

**Ne pas utiliser de batterie endommagée. L'utilisation d'une batterie doit être immédiatement stoppée dès qu'elle présente des caractéristiques anormales, telles qu'un dégagement d'odeur, de chaleur, une décoloration ou une déformation.** Si vous continuez à l'utiliser, la batterie peut dégager de la chaleur et de la fumée, s'enflammer ou exploser.

**Ne pas ouvrir, écraser, surchauffer ou incinérer la batterie.** Le non-respect de cette consigne entraîne un risque de brûlure et d'incendie. Suivre les instructions du fabricant.

**Éteindre les batteries Li-ion en feu avec de l'eau, du sable ou une couverture anti-feu.**

**Éviter les coups / impacts physiques. Les coups et la pénétration d'objets peuvent endommager les batteries.** Cela peut entraîner des fuites, un dégagement de chaleur, de la fumée, une inflammation ou une explosion de la batterie.

**Ne jamais charger la batterie pendant la nuit sans surveillance.** Le non-respect de cette consigne peut entraîner un risque d'incendie ou d'explosion.

**Ne retirer la batterie de son emballage d'origine que lorsqu'elle doit être utilisée.**

**Ne retirer la batterie que lorsque l'outil électrique est à l'arrêt.**

**Avant tous travaux sur l'outil électrique, retirer la batterie de l'outil électrique.** Risque de blessures en cas de démarrage non intentionnel de l'outil électrique.

**Protéger la batterie de l'humidité et de l'eau.** Nettoyer les raccords encrassés de la batterie et de l'outil électrique à l'aide d'un chiffon sec et propre.

## Maniement de poussières nocives.

**⚠ AVERTISSEMENT** Lors du travail avec des outils, par ex. lors du ponçage, polissage, sciage ou d'autres opérations enlevant du matériau, des poussières sont générées qui peuvent être nocives pour la santé, auto-inflammables ou explosives.

Toucher ou aspirer certaines poussières peut causer des réactions allergiques et/ou des maladies respiratoires, un cancer, des malformations à la naissance ou autres anomalies de reproduction auprès de l'utilisateur ou de personnes se trouvant à proximité.

Quelques exemples de tels matériaux et de produits chimiques qu'ils contiennent dont l'usinage génère des poussières nocives :

- l'amiante et les matériaux contenant de l'amiante ;
- peintures contenant du plomb, certains bois tels que le bois de chêne et de hêtre ;
- minéraux et métal ;
- les particules de silicate contenues dans les briques, le béton et autres matériaux contenant de la roche ;
- les solvants contenus dans les vernis et peintures ;
- l'arsenic, le chrome et d'autres lasures ;
- produits pour la lutte contre les vermines sur la coque de bateaux et de bâtiments ;
- poussières d'aciers fins, poussières de métaux et poussières de métaux non-ferreux.

Pour minimiser la résorption indésirable de ces matériaux :

- Utiliser une aspiration adaptée à la poussière générée.

**Retirer la batterie avant de transporter ou de stocker l'outil électrique.**

**Suivre les consignes de sécurité figurant dans la notice d'utilisation des chargeurs de FEIN ou des partenaires AMPShare.**

- Utiliser des équipements personnels de protection tels que par exemple un masque anti-poussière de la classe filtre P2.
- Veiller à bien aérer la zone de travail.

Le risque causé par le fait d'aspirer des poussières dans les poumons dépend de la fréquence à laquelle ces matériaux sont travaillés. Les matériaux contenant de l'amiante ne doivent être travaillés que par des personnes qualifiées.

**⚠ ATTENTION** Les poussières de bois et les poussières de métaux légers peuvent causer une auto-inflammation ou une explosion.

Des mélanges chauds de poussières de ponçage contenant des résidus de vernis, de polyuréthane ou de produits chimiques dans le sac à poussières en papier ou dans le filtre de l'aspirateur peuvent s'enflammer dans des conditions défavorables tels que projection d'étincelles lors du ponçage de métaux, soleil direct permanent ou température ambiante élevée. Pour prévenir ces conditions :

- Éviter la surchauffe des matériaux usinés et de l'outil électrique.
- Vider le bac de récupération des poussières à temps.
- Respecter les indications de travail du fabricant du matériau.
- Respecter les règlements spécifiques aux matériaux à traiter en vigueur dans votre pays.

## Valeurs de vibrations et d'émissions acoustiques

**⚠ AVERTISSEMENT** **Des vibrations mains-bras sont générées lors du travail avec cet outil électrique.** Celles-ci peuvent entraîner des effets néfastes sur la santé.

**⚠ AVERTISSEMENT** La valeur réelle des vibrations lors de l'utilisation de l'outil électrique peut dévier des valeurs indiquées, en fonction de l'utilisation de l'outil électrique.

**⚠ AVERTISSEMENT** Pour protéger l'opérateur, des mesures de sécurité doivent être déterminées sur la base de la sollicitation vibratoire estimée pendant l'utilisation effective.

Les valeurs de vibrations et d'émissions acoustiques indiquées dans ces instructions d'utilisation ont été mesurées conformément à la norme EN 62841 et peuvent être utilisées pour une comparaison d'outils électriques. Elles sont également appropriées pour une estimation préliminaire de la sollicitation vibratoire et acoustique.

**⚠** Les valeurs de vibrations et d'émissions acoustiques indiquées représentent les principales applications de l'outil électrique.

Si l'outil électrique est cependant utilisé pour d'autres applications, avec d'autres accessoires ou avec un entretien non approprié, les valeurs de vibrations et d'émissions acoustiques peuvent être différentes. Ceci peut augmenter considérablement la sollicitation vibratoire et acoustique pendant toute la durée du travail.

Pour une estimation précise de la sollicitation vibratoire et acoustique, il est recommandé de prendre aussi en considération les espaces de temps pendant lesquels l'appareil est éteint ou en fonctionnement, mais pas vraiment utilisé. Ceci peut réduire considérablement la sollicitation vibratoire et acoustique pendant toute la durée du travail.

**⚠** Déterminer des mesures de protection supplémentaires pour protéger l'utilisateur des effets de vibrations et du bruit, telles que par exemple : entretien de l'outil électrique et des accessoires, maintenir les mains chaudes, organisation des opérations de travail.

## Valeurs d'émission du niveau sonore (Indication à deux chiffres conformément à la norme ISO 4871)

### Émission acoustique

**AJMU 137 PMQW AS (\*\*)**

Mesure réelle (A) du niveau de pression acoustique sur le lieu de travail $L_{pA}$ (re 20 $\mu$ Pa), en décibel	81.6
Incertitude $K_{pA}$ , en décibel	5
Mesure réelle (A) du niveau d'intensité acoustique pondéré $L_{wA}$ (re 1 pW), en décibel	94.6
Incertitude $K_{wA}$ , en décibel	5
Mesure réelle (C) du niveau max. de pression acoustique sur le lieu de travail $L_{pCpeak}$ en décibel	96.2
Incertitude $K_{pCpeak}$ en décibel	5
valeur de vibration moyenne (carottage)	
- $m/s^2$	1.1
- $ft/s^2$	3.6
Incertitude $K$ , en	
- $m/s^2$	1.5
- $ft/s^2$	4.9

REMARQUE : La somme de la valeur d'émission mesurée et de l'incertitude constitue la limite supérieure des valeurs qui peuvent apparaître pendant la prise de mesures.



Porter une protection acoustique !


















Valeurs de mesure mesurées conformément à la norme correspondante du produit.

## Conception de l'outil électrique :




















Unité de perçage conçue pour le perçage avec fraises à carotter et forets hélicoïdaux, l'alésage, le lamage et le taraudage de matériaux magnétiques, dans un environnement à l'abri des intempéries avec utilisation des outils de travail et des accessoires autorisés par FEIN.









Dans un environnement présentant à perturbations élevées, une réduction de la qualité de fonctionnement est possible, telle que panne temporaire, réduction temporaire de la fonctionnalité ou du comportement de fonctionnement conforme. Dans de tels cas, il est nécessaire à l'opérateur d'intervenir pour remédier à la perturbation.

## Symboles.

Symbole, signe	Explication
	Lire impérativement les documents ci-joints tels que la notice d'utilisation et les instructions générales de sécurité.
	AMPShare est le système de batterie commun qui vous permet d'utiliser de nombreux outils de nombreuses marques professionnelles avec une seule batterie.
	Suivre les indications données dans le texte ou la représentation graphique ci-contre !
	Suivre les indications données dans le texte ou la représentation graphique ci-contre !
	Avant d'effectuer ce travail, retirer la batterie de l'outil électrique. Sinon, il y a des risques de blessures dues à un démarrage non intentionné de l'outil.
	Lors des travaux, porter une protection oculaire.
	Lors des travaux, porter une protection acoustique.
	Ne pas toucher les éléments en rotation de l'outil électrique.
	Ne pas charger des batteries endommagées.
	Protéger la batterie de la chaleur, par ex. une exposition directe au soleil, du feu, des encrassements, de l'eau et de l'humidité.
	Attention aux bords tranchants des outils de travail tels que les lames de couteaux.
	Danger de glisser !
	Danger d'écrasement !
	Attention aux objets qui pourraient tomber !
	Surface chaude !
	Ne pas mettre les mains dedans !
	Attacher la ceinture !



Symbole, signe	Explication
	Risque de basculement !
	Ne pas utiliser l'aimant à proximité de stimulateurs cardiaques. L'aimant génère un champ qui peut entraver le fonctionnement des stimulateurs cardiaques.
	Mise en marche
	Arrêt
	Signal général d'interdiction. Cette action est interdite !
	Confirme la conformité de l'outil électrique aux directives de l'Union Européenne.
	Ce symbole confirme la certification de ce produit aux États-Unis et au Canada.
	Cette indication met en garde contre une situation dangereuse imminente. Une mauvaise manipulation peut entraîner de graves blessures ou la mort.
	Cette indication indique une situation éventuellement dangereuse pouvant entraîner de graves blessures ou la mort.
	Cette indication met en garde contre une situation potentiellement dangereuse qui peut entraîner des blessures.
	Signalisation de recyclage : indique les matériaux recyclables
	Trier les outils électriques ainsi que tout autre produit électrotechnique et électrique et les déposer à un centre de recyclage respectant les directives relatives à la protection de l'environnement.
	Marque les emballages et les produits recyclables qui doivent être collectés et éliminés séparément.
	Type de batterie
	Type de chargeur
	Taraud
	Acier
	Vitesse de rotation faible
	Vitesse de rotation élevée

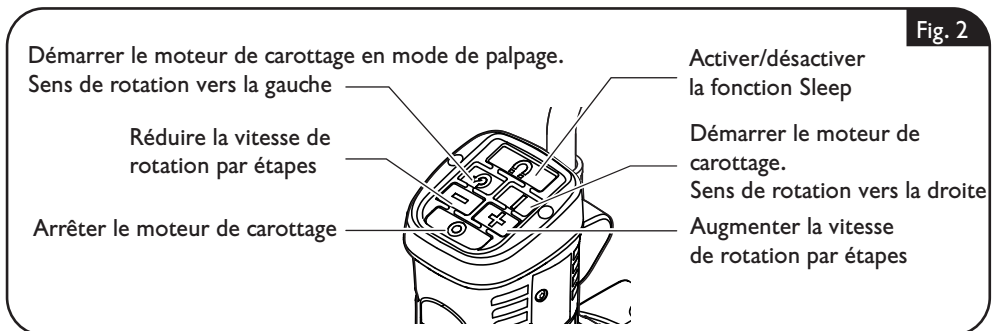
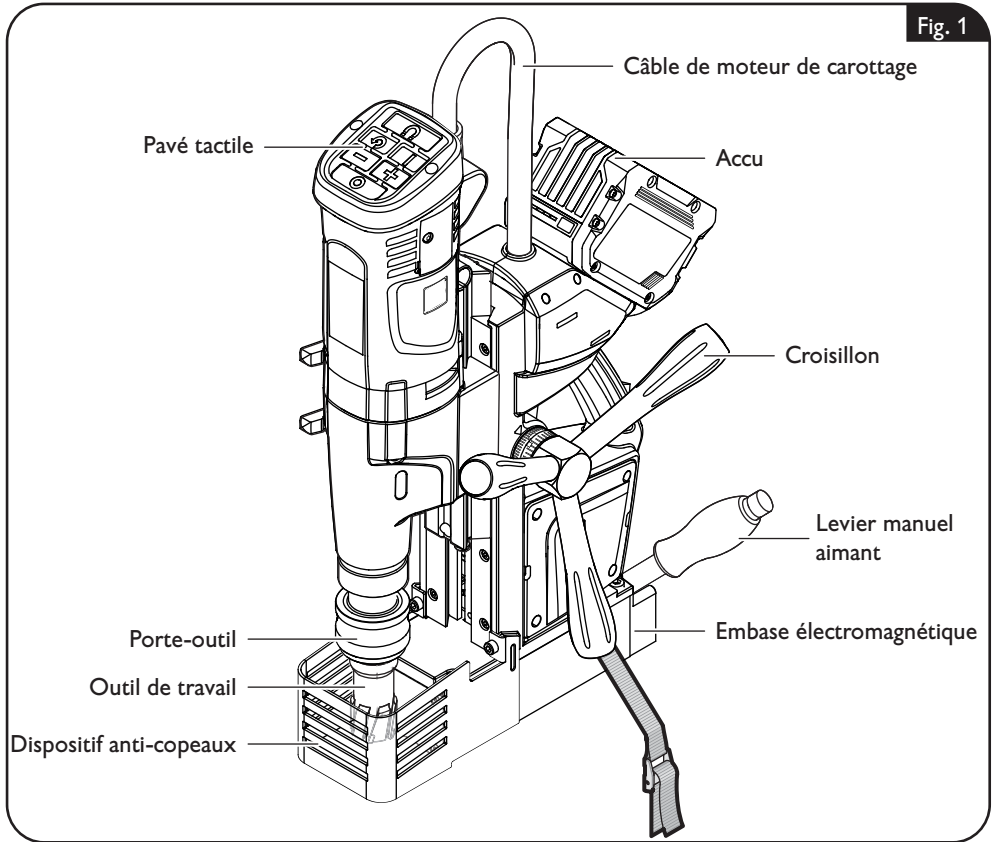
Symbole, signe	Explication
	Force d'attraction magnétique éventuellement suffisante
	Force magnétique insuffisante
	Démarrer le moteur de carottage. Sens de rotation vers la droite
	Démarrer le moteur de carottage en mode de palpage. Sens de rotation vers la gauche
	Réduction de la vitesse par étapes
	Augmentation de la vitesse par étapes
	Arrêter le moteur
	Désactiver / activer la fonction Sleep
(Ax - Zx)	Marquage interne
(**)	peut contenir des chiffres ou des lettres

Signe	Unité internationale	Explication
$n_{OR}$	rpm; /min; $\text{min}^{-1}$ ; r/min	Vitesse à vide (rotation vers la droite)
$n_{OL}$	rpm; /min; $\text{min}^{-1}$ ; r/min	Vitesse à vide (rotation vers la gauche)
	°	Largeur d'angle
$U$	V=/ V d.c.	Tension en courant continu
$m$	lbs	Masse
$l$	ft, in	Unité de mesure pour longueur, largeur, hauteur, profondeur, diamètre ou filetage
$\emptyset$	ft, in	Diamètre d'un élément
$K...$		Incertitude
$a$	$\text{m/s}^2$	Valeur d'émission vibratoire suivant la norme IEC 62841 (somme vectorielle des trois axes directionnels)
	m, s, kg, A, mm, V, W, Hz, N, °C, dB, min, $\text{m/s}^2$	Unités de base et unités dérivées du système international <b>SI</b> .



## Description technique et spécification.

**AVERTISSEMENT** Retirer la batterie avant de commencer les travaux de montage ou de changer les outils de travail et les accessoires. Cette mesure de sécurité préventive exclut un danger de blessure causé par un démarrage non intentionné de l'outil électrique.

Il se peut que seule une partie des accessoires décrits ou représentés dans cette notice d'utilisation soit fournie avec l'outil électrique.



Type	AJMU 137 PMQW (**)
Référence	7 170 ...
Tension de référence	18 V <sup>---</sup>
Vitesse à vide (rotation vers la droite)	520 tr/min
Vitesse à vide (rotation vers la gauche)	370 tr/min
Diamètre de perçage max. en acier jusqu'à 400 N/mm <sup>2</sup> – Carbure (carotteur)	7/16 in – 1 3/8 in 12 mm – 35 mm
Diamètre de perçage max. en acier jusqu'à 400 N/mm <sup>2</sup> – Acier rapide (foret hélicoïdal)	11/16 in 18 mm
Alésage	1/2 in M14
Diamètre alésoir	11/16 in 18 mm
Diamètre lamage	1 1/4 in 31 mm
Température ambiante admissible	32 °F ... 113 °F 0 °C ... + 45 °C
Poids suivant EPTA-Procedure 01	27.12 lbs 12.3 kg

Type	CORE 18V 8 Ah GBA18V80	CORE 18V 12 Ah GBA18V120
		
Poids suivant EPTA-Procedure 01 (Batterie)	2.12 lbs 0.96 kg	2.98 lbs 1.35 kg
Type de batterie		Lithium Ion
Tension de référence		18V <sup>---</sup>
Température ambiante admissible pendant la charge		32 °F ... 95 °F 0 °C ... + 35 °C
Chargeur		BC1880, GAL 18V-160

## Indications de montage.

**⚠ AVERTISSEMENT** Retirer la batterie avant de commencer les travaux de montage ou de changer les outils de travail et les accessoires. Cette mesure de sécurité préventive exclut un danger de blessure causé par un démarrage non intentionné de l'outil électrique.

### Retirer et charger la batterie (figure 3).

❗ Lire la notice d'utilisation du chargeur avant le premier processus de charge.

❗ Avant la première mise en service, charger la batterie complètement.

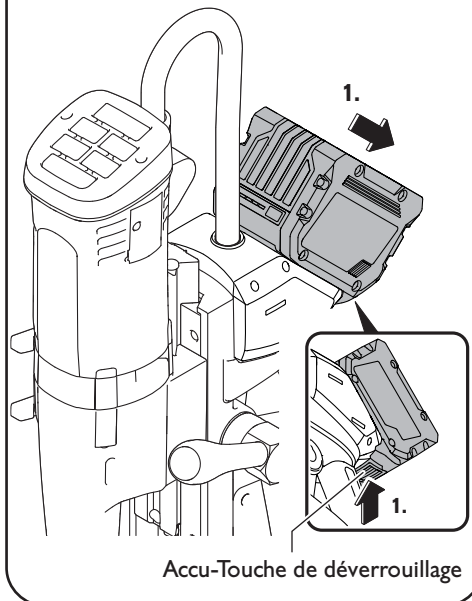
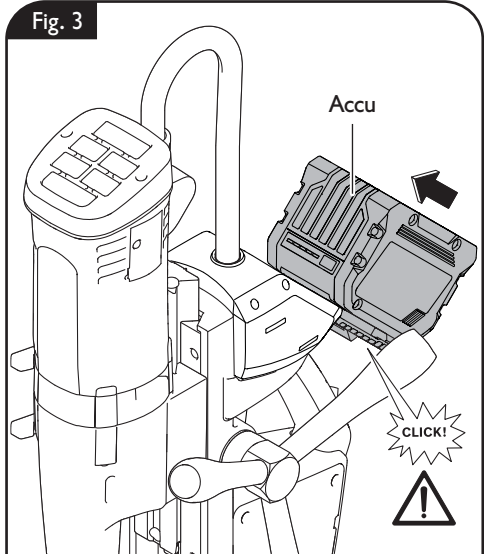
Déverrouiller la batterie en appuyant sur la touche de déverrouillage et la retirer de la poignée. Ne pas forcer.

Brancher le chargeur sur la prise de courant, enfoncer la batterie sur le chargeur et la charger. Une fois le processus de charge terminé, monter la batterie sur l'outil électrique et retirer la fiche du chargeur de la prise de courant.

Une batterie neuve n'atteint sa pleine puissance qu'après plusieurs cycles de charge et de décharge.

Veiller à mettre correctement en place la batterie de sorte à ce qu'elle ne puisse pas tomber.

Fig. 3




## Maniement de la batterie.

Ne recharger la batterie que dans une plage de température allant de 0 °C ... 35 °C (32 °F ... 95 °F). Au début du processus de charge, la température de la batterie doit se situer dans la plage de température de recharge de la batterie.

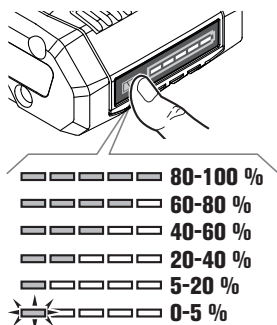
## Voyant indiquant l'état de charge sur la batterie (figure 4).

L'état de charge peut être affiché par les LEDs vertes du voyant indiquant l'état de charge sur la batterie. L'état de charge ne peut être lu que si la batterie est retirée.

Si la batterie est mise en place et que l'aimant a déjà été activé, ramener le levier magnétique à 30% ou, le cas échéant, à 0%, puis le remettre à 100%. Appuyer sur la touche pour le réglage de la butée de profondeur <sup>(Oh)</sup> ou  pour faire afficher l'état de charge.

Si aucune LED n'est allumée après que la touche du voyant indiquant l'état de charge a été appuyée, la batterie est défectueuse et doit être remplacée.

Fig. 4



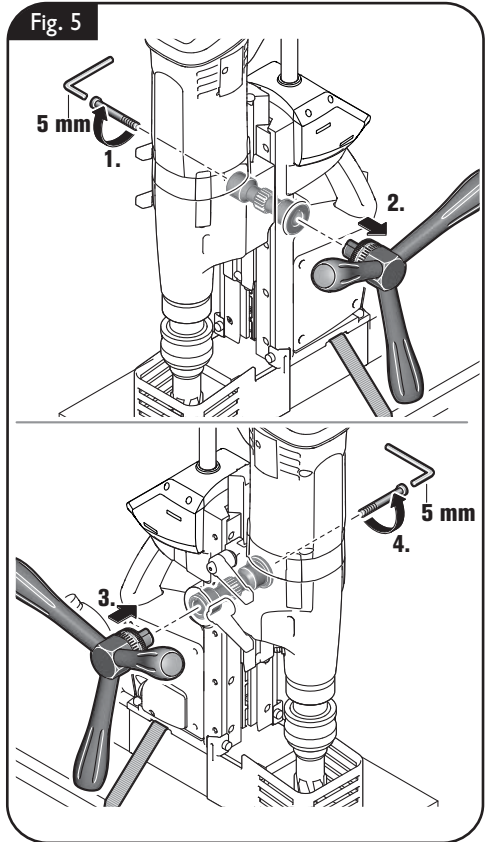
### Montage du croisillon (figure 5).

Le croisillon peut être monté des deux côtés.

Desserrez la vis à l'aide d'une clé mâle pour vis à six pans creux.

Retirez le croisillon.

Introduisez le croisillon de l'autre côté et serrez la vis à l'aide d'une clé pour vis à six pans creux.



## Remplissage du réservoir du liquide de refroidissement (figure 6).

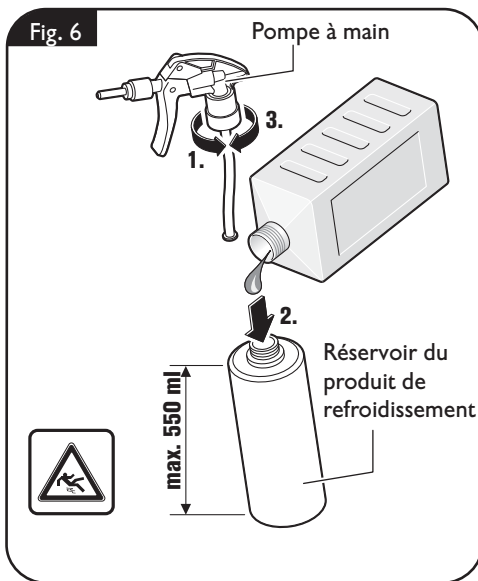
Ne pas utiliser la machine si le système de refroidissement est défectueux. **Avant chaque utilisation**, contrôler l'étanchéité et si les tuyaux flexibles présentent des fissures. Éviter la pénétration de liquide dans les éléments électriques.

Dévisser la pompe à main du réservoir du liquide de refroidissement.

Utilisez comme lubrifiant de coupe exclusivement un lubrifiant à base aqueuse (**mélange huile/eau**).

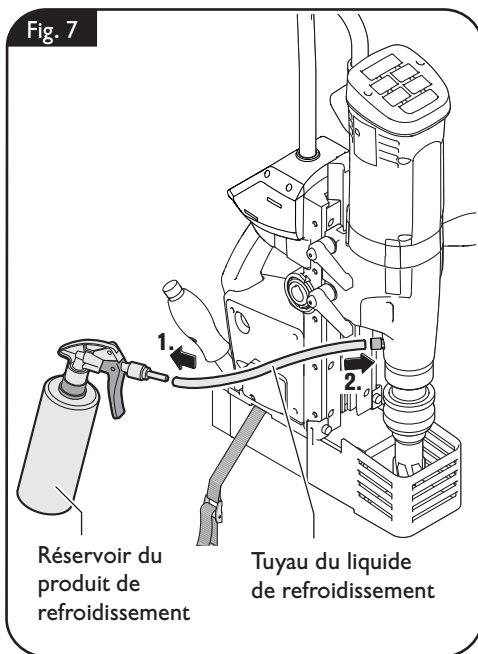
Tenez compte des instructions du fabricant du produit.

Revisser la pompe à main du réservoir du liquide de refroidissement.



## Brancher le tuyau du liquide de refroidissement (figure 7).

Connectez le tuyau du liquide de refroidissement.





## Changement d'outil (figure 8).

**AVERTISSEMENT** Retirer la batterie avant de commencer les travaux de montage ou de changer les outils de travail et les accessoires. Cette mesure de sécurité préventive exclut un danger de blessure causé par un démarrage non intentionné de l'outil électrique.

**AVERTISSEMENT** Sécuriser l'outil électrique uniquement avec la sangle livrée.

Lors des travaux, veiller à toujours se protéger contre les objets tombants tels que carottes et copeaux.

### Fraise à carotter

Faites passer la tige de centrage à travers la fraise à carotter.

Tirez la douille de serrage du porte-outil vers le bas et introduisez la fraise à carotter avec la tige de centrage dans le porte-outil.

**Ne pas toucher les bords aigus de la fraise à carotter.** Danger de blessure.

### Mandrin de perçage

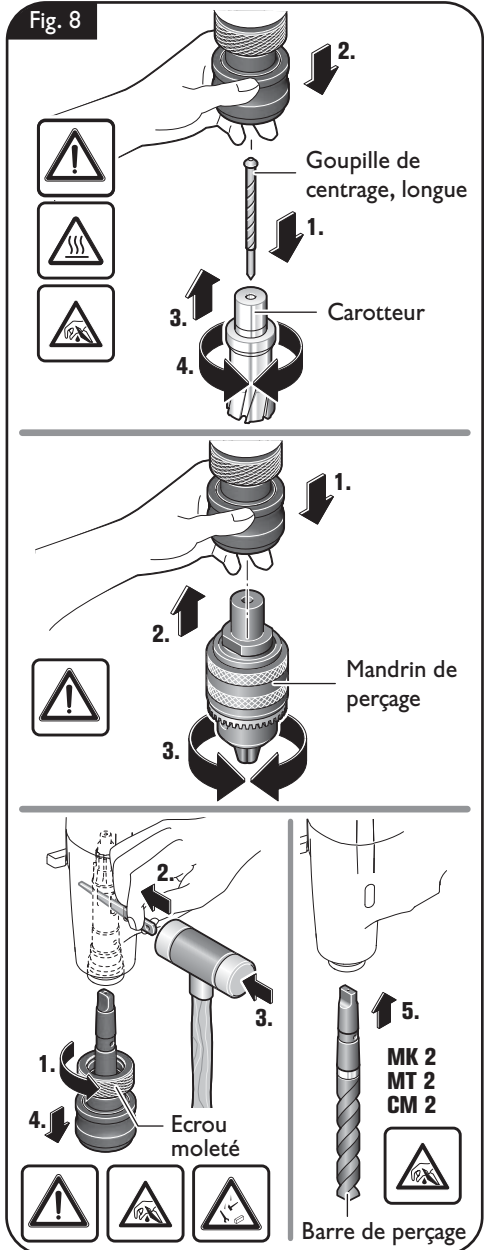
Tirez la douille de serrage du porte-outil vers le bas et introduisez le mandrin de perçage.

### Foret hélicoïdal

L'écrou de blocage a un filet à gauche, tourner vers la droite pour le desserrer !

Desserrez l'écrou de blocage et faites sortir le porte-outil à l'aide d'un chasse-cône.

Nettoyer le cône intérieur de l'arbre de sortie et monter le foret hélicoïdal.

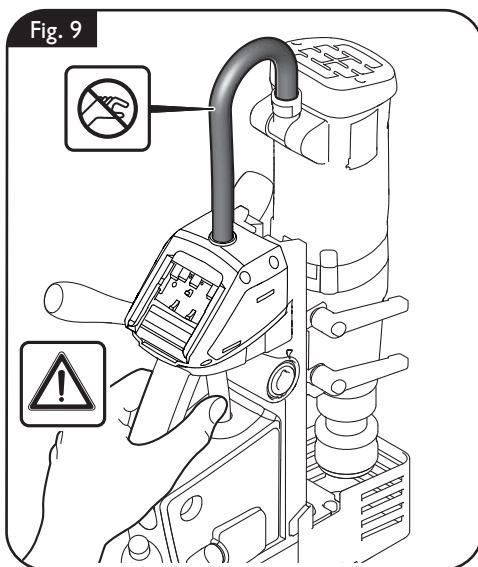


## Indications pour le travail.

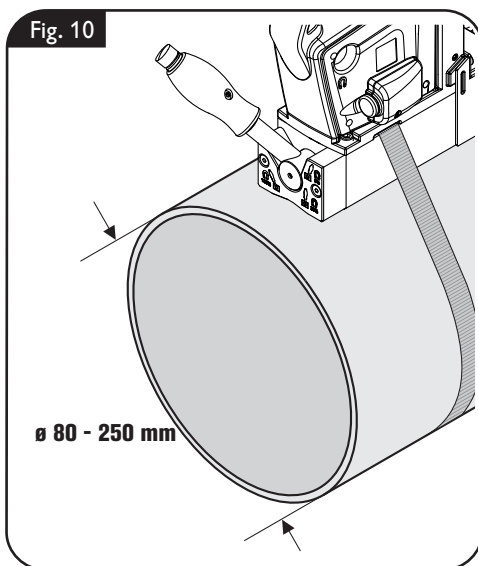
**⚠ AVERTISSEMENT** Retirer la batterie avant de commencer les travaux de montage ou de changer les outils de travail et les accessoires. Cette mesure de sécurité préventive exclut un danger de blessure causé par un démarrage non intentionné de l'outil électrique.

**⚠ AVERTISSEMENT** Sécuriser l'outil électrique uniquement avec la sangle livrée. Lors des travaux, veiller à toujours se protéger contre les objets tombants tels que carottes et copeaux.

**⚠** Porter l'outil par la poignée et ne pas par le câble du moteur de carottage. (figure 9).

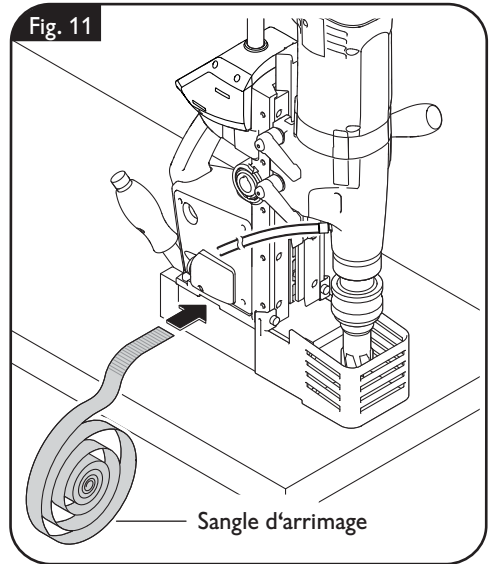


L'embase magnétique a une forme concave. Vous pouvez fixer l'embase magnétique directement sur un tube d'un diamètre de 80–250 mm. (figure 10)



## Fixer la sangle d'arrimage (figure 11).

Sécuriser la machine sur la pièce uniquement à l'aide de la sangle d'arrimage livrée.



## Mise en marche de l'aimant (figure 12).

ⓘ Veiller à ce que la surface sur laquelle est posée l'embase électromagnétique soit plane, propre et exempte de rouille et de glace. Enlever les couches de vernis et de mastic et autres matériaux. Éviter un entrefer entre l'embase électromagnétique et la surface de montage. L'entrefer réduit la force d'attraction magnétique.

ⓘ Ne pas utiliser cette machine sur des surfaces chaudes ; ceci pourrait entraîner une réduction permanente de la force d'attraction magnétique.

ⓘ Utilisez toujours l'embase magnétique lors du travail et veillez à ce que la force magnétique soit suffisante.

- Si le voyant vert du panneau de commande reste allumé en permanence, c'est que la force magnétique est éventuellement suffisante et la machine peut être utilisée **avec avance normale**.
- Si la touche **aimant** du panneau de commande clignote, c'est que la force magnétique n'est éventuellement pas suffisante et la machine doit être utilisée **avec un effort d'avance réduit**.

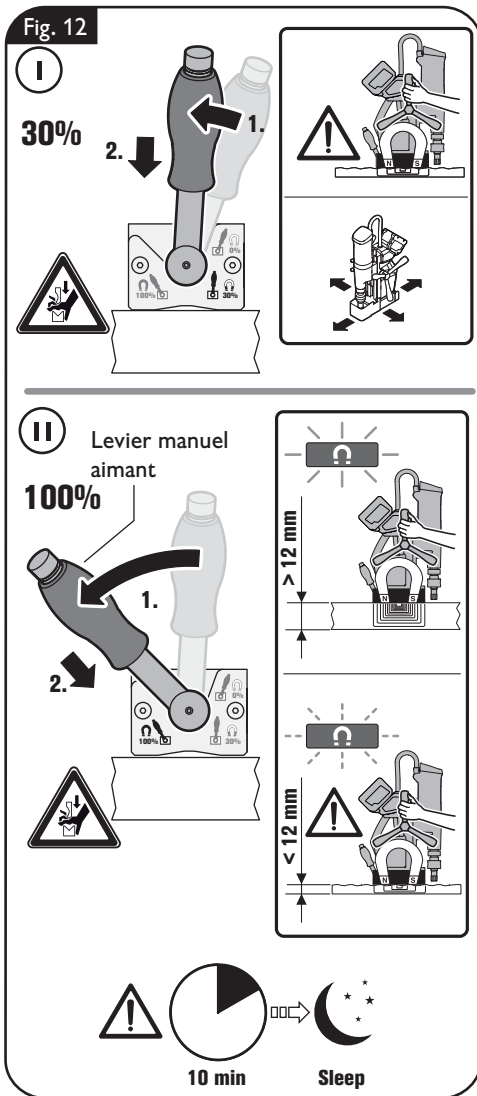
Pour les travaux sur les matériaux non magnétiques, utiliser des dispositifs de fixation FEIN appropriés, disponibles comme accessoires, tels que par ex. plaque à vide ou dispositif de perçage pour tuyaux. Consulter à cet effet les notices correspondantes.

Afin de garantir la force d'attraction magnétique sur des matériaux en acier d'une épaisseur inférieure à 9 mm, ajouter sous la pièce à travailler par une plaque supplémentaire en acier.

Le levier manuel permet d'actionner la force d'attraction magnétique par étapes.

Pour le positionnement, mettre le levier manuel en position 30%, pour mettre en marche l'aimant, en position 100%.

Si l'unité de perçage n'est pas actionnée pendant 10 minutes environ, elle se met automatiquement en fonction Sleep.

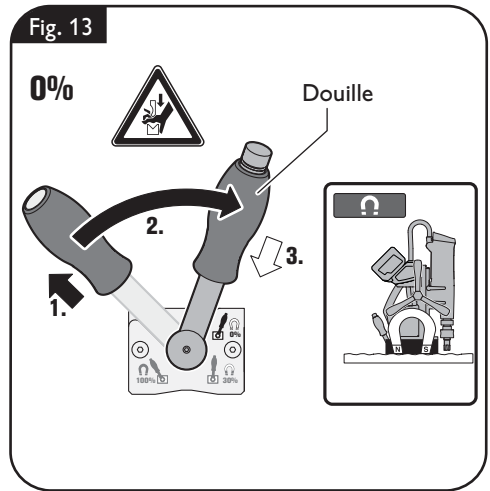


### Arrêter l'aimantation (figure 13).

Pousser la douille du levier manuel vers le haut.

Mettre le levier manuel sur la position 0%.

La douille sur le levier manuel se remet automatiquement dans la position d'origine.



## Réglage de la plage de course (figure 14).

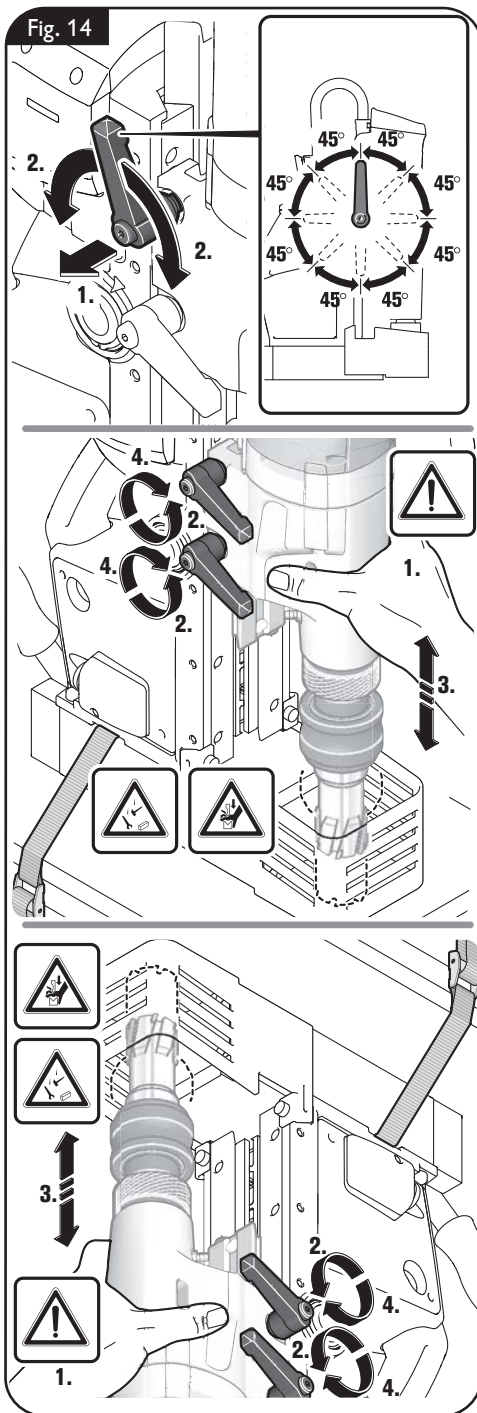
**ATTENTION** Tenez l'outil électrique fermement d'une main par le moteur de carottage lorsque vous desserrez les deux leviers de fixation.

Pour pouvoir bouger les leviers de fixation superposés, tirez le levier de fixation vers l'avant et le tourner en pas de 45°.

Desserrez les deux leviers de fixation de l'autre main.

Réglez la plage de course souhaitée.

Resserrez les deux leviers de fixation.



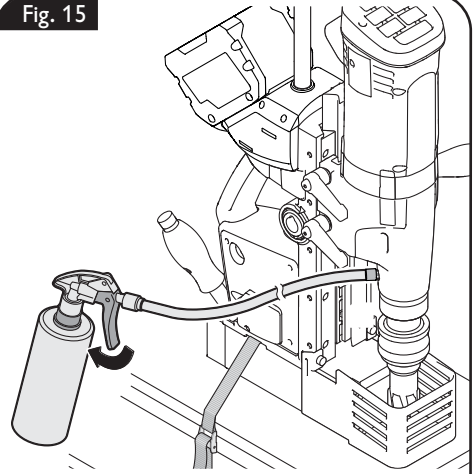
## Mise en marche ou arrêt du débit du produit de refroidissement (figure 15).

Ne pas utiliser la machine si le système de refroidissement est défectueux. Avant chaque utilisation, contrôler l'étanchéité et si les tuyaux flexibles présentent des fissures. Éviter la pénétration de liquide dans les éléments électriques.

Enfoncez le tuyau dans le branchement du produit de refroidissement de la machine.

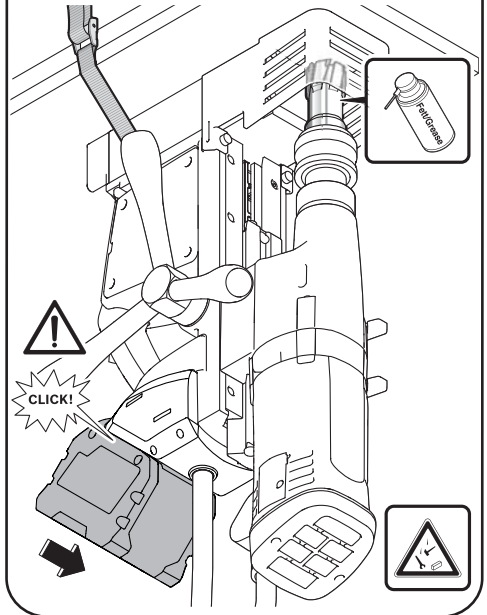
Actionner la pompe à main déclenche le débit du produit de refroidissement.

Fig. 15



Pour les travaux effectués au-dessus de la tête, utilisez une pâte de refroidissement de Slugger by FEIN.

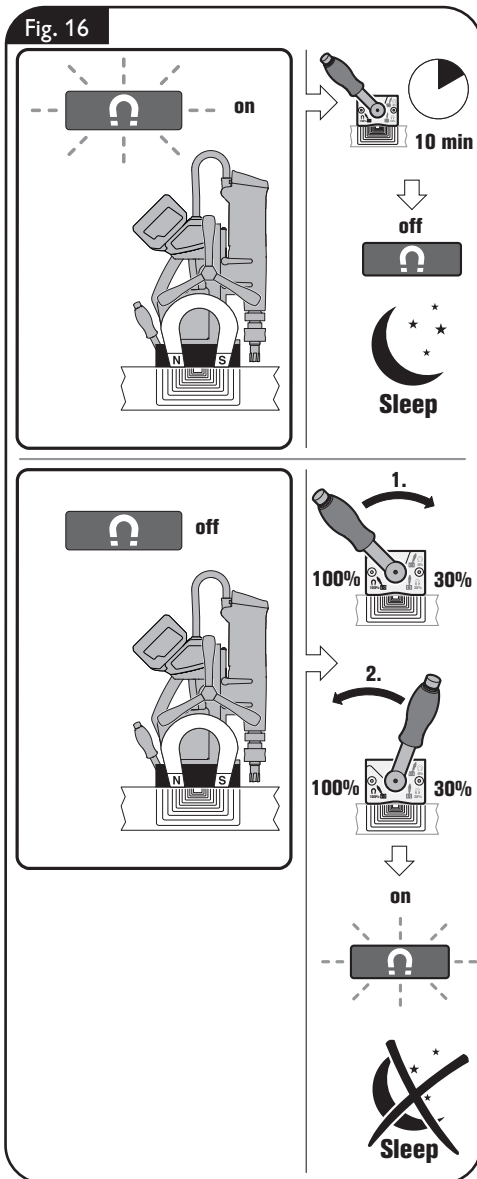
Lors des travaux effectués au-dessus de la tête, veiller à mettre correctement en place la batterie de sorte à ce qu'elle ne puisse pas tomber.



## Fonction Sleep (figure 16).


⚠ Après la mise en marche de l'aimant permanent, la carotteuse passe automatiquement en fonction Sleep au bout de 10 minutes. Ceci permet d'économiser de l'énergie.


Pour désactiver la fonction Sleep, ramenez le levier magnétique à 30% ou, le cas échéant, à 0%, puis de nouveau à 100%.





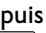


## Démarrage et arrêt du moteur de carottage (figure 17).


Pour démarrer le moteur de carottage en rotation à droite, appuyer sur la touche avec le symbole «  ». Le moteur de carottage démarre à la vitesse la plus élevée.

Pour réduire la vitesse, appuyer sur la touche «  ».

Pour augmenter la vitesse, appuyer sur la touche «  ».

La vitesse de rotation réglée pour le travail précédent est automatiquement mémorisée (**Memory Function**). Afin de démarrer l'outil électrique avec la vitesse de rotation réglée en dernier, actionner et maintenir appuyée la touche avec le symbole , puis appuyer sur la touche avec le symbole .

Pour arrêter le moteur de carottage, appuyer sur la touche «  ».

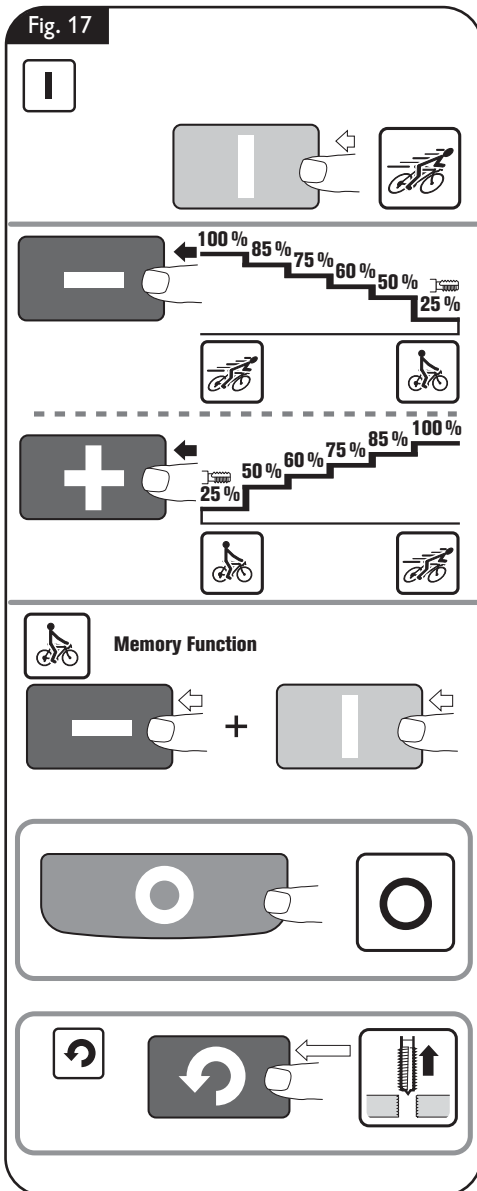
Pour démarrer le moteur en rotation gauche, appuyer sur la touche portant le symbole «  ». Le moteur de carottage reste en marche tant que la touche est appuyée.

Lorsque l'alimentation en courant électrique est interrompue (par ex. batterie retirée) alors que le moteur de carottage est en marche, un dispositif de rupture de protection empêche un redémarrage automatique du moteur de carottage. Redémarrer le moteur de carottage.

N'arrêtez pas le moteur de carottage durant le processus de perçage.

**Dans le cas d'une surcharge, le moteur s'arrête automatiquement et doit être redémarré à nouveau.**

Fig. 17



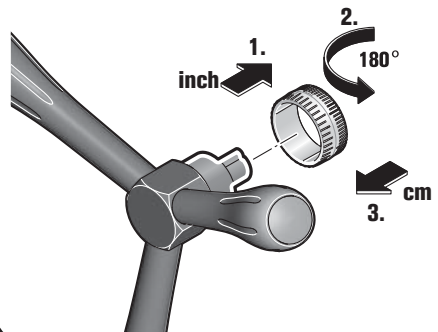
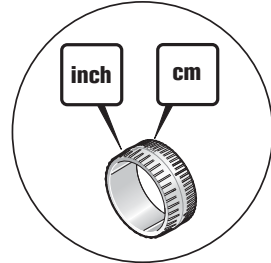
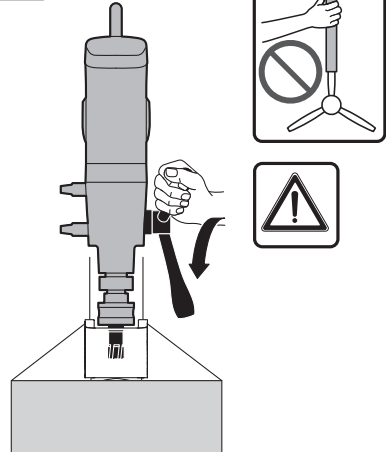
### Avance (figure 18).

N'appliquez que la force d'avance absolument nécessaire. Les forces d'avance trop élevées peuvent entraîner une rupture de l'accessoire et une perte de la force d'attraction magnétique.

Tournez le croisillon manuellement, le moteur mis en marche, pour générer l'avance.

Vous pouvez utiliser l'échelle de graduation avec « inch » ou avec « cm ».

Fig. 18



## Indications pour les travaux de carottage.

Ne sortir l'outil coupant du perçage que lorsque le moteur tourne encore.

Au cas où l'outil coupant resterait coincé dans le matériau, arrêter le moteur de carottage et sortir prudemment l'outil coupant en le tournant dans le sens inverse des aiguilles d'une montre.

Enlevez les copeaux et la carotte après chaque opération de perçage.

- ❗ Ne pas toucher les copeaux à la main. Toujours utiliser un crochet à copeaux (6 42 01 001 00 0).

❗ Risque de brûlures !

Lors du remplacement de l'outil, ne pas endommager les arêtes de coupe.

Pour le carottage dans les matériaux stratifiés, utilisez une fraise à carotter ID de Slugger by FEIN adapté à cet effet.

Lors du carottage de matériaux stratifiés, enlever la carotte et les copeaux après chaque couche percée.

Message d'erreur/ comportement touche aimant	Explication	Remède
Le voyant s'allume vert	Force d'attraction magnétique éventuellement suffisante	
Le voyant clignote vert	Force magnétique insuffisante	Afin de garantir la force d'attraction magnétique sur des matériaux en acier d'une épaisseur inférieure à 9 mm, ajouter sous la pièce à travailler par une plaque supplémentaire en acier.
Le voyant clignote une ou plusieurs fois rouge	Le détecteur de mouvement a sauté	Une fois l'erreur corrigée, la machine peut être remise en marche.
	La coupure de surcharge a sauté	
	Touches rotations gauche / droite / STOP bloquées	
	Chargement de batterie trop faible	Vérifier l'état de charge sur la batterie.
Le voyant s'allume en rouge pendant 1 s puis s'éteint	La machine est défectueuse	Faire parvenir la machine à un service après-vente FEIN.
Le voyant ne s'allume pas	La machine est en fonction Sleep	Remettre le levier magnétique à 30% ou, le cas échéant, à 0%, puis le remettre à 100% (la fonction Sleep est désactivée).
	La batterie est vide ou défectueuse	Vérifier l'état de charge sur la batterie.
	La machine est défectueuse	Faire parvenir la machine à un service après-vente FEIN.

## Travaux d'entretien et service après-vente.

**⚠ AVERTISSEMENT** Retirer la batterie avant de commencer les travaux de montage ou de changer les outils de travail et les accessoires. Cette mesure de sécurité préventive exclut un danger de blessure causé par un démarrage non intentionné de l'outil électrique.

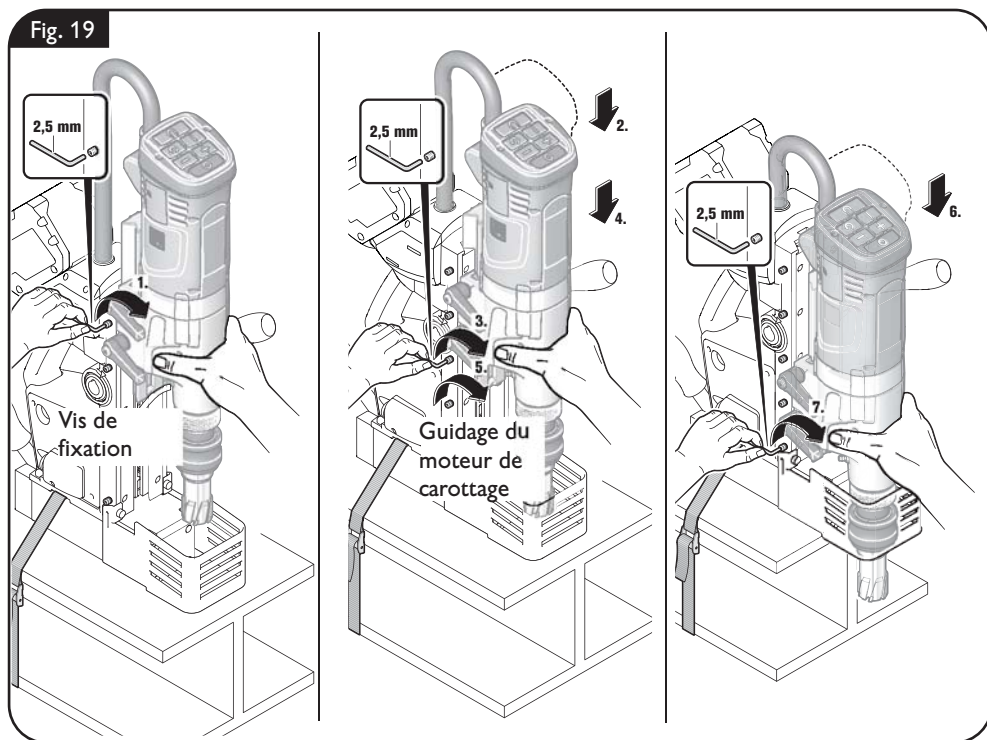
### Pièces remplaçables.

Si nécessaire, il est possible de remplacer soi-même les éléments suivants :

Outils de travail, pompe à main, batterie

### Guidage du moteur de carottage (figure 19).

Il est possible qu'après quelques heures de service, le jeu dans la queue d'aronde double s'aggrave. Ce qui pourrait avoir pour conséquence que le moteur de carottage se mette à glisser le long de la queue d'aronde double. Ceci provoque un dysfonctionnement si le moteur glisse vers le bas et l'outil de coupe peut être endommagé. Dans un tel cas, resserrez de manière appropriée toutes les vis de fixation de la queue d'aronde double, de sorte que le moteur de carottage se laisse facilement bouger manuellement, mais ne glisse pas automatiquement.



## Service après-vente.

**⚠ AVERTISSEMENT** Ne faire effectuer les travaux d'entretien que

par des personnes qualifiées. Les câbles et éléments mal montés peuvent présenter des risques graves. Ne faire effectuer le service d'entretien nécessaire que par une station de service après-vente FEIN.

**⚠ ATTENTION** Remplacez tout câble d'alimentation de l'outil électrique endommagé par un câble d'alimentation spécialement préparé qui est disponible auprès du service après-vente de FEIN.

Remplacer les étiquettes et avertissements sur l'outil électrique en cas de vieillissement ou d'usure.

Les produits ayant été en contact avec de l'amiante ne doivent pas être réparés. Éliminer les produits contaminés par l'amiante conformément aux dispositions nationales relatives à l'élimination de déchets contenant de l'amiante.

Pour tout outil électrique ou accessoire FEIN nécessitant une réparation, veuillez consulter votre service client FEIN. Vous trouverez l'adresse sur le site Internet [www.fein.com](http://www.fein.com).

Remplacer les étiquettes et avertissements sur l'outil électrique en cas de vieillissement ou d'usure.

Vous trouverez la liste actuelle des pièces de rechange pour cet outil électrique sur notre site [www.fein.com](http://www.fein.com).

N'utiliser que des pièces de rechange d'origine.

## Nettoyage.

**⚠ AVERTISSEMENT** Retirez la batterie avant tout travail

d'entretien et de nettoyage. Cette mesure de sécurité préventive exclut un danger de blessure causé par un démarrage non intentionné de l'outil électrique.

**⚠ AVERTISSEMENT** S'il y a de la poussière conductrice dans l'air

lors de l'utilisation de l'appareil, p. ex. lors du traitement de métaux, cette poussière peut se déposer à l'intérieur de l'outil électrique. Souffler alors régulièrement de l'extérieur de l'air comprimé sec exempt d'huile dans l'intérieur de l'outil électrique à travers les ouïes de ventilation ; utiliser toujours une protection oculaire.

**⚠ ATTENTION** Ne pas essayer de nettoyer les orifices de ventilation à l'aide d'objets métalliques pointus ; utiliser des outils non-métalliques.

**⚠ ATTENTION** Ne pas utiliser de détergents ou de solvants qui peuvent

endommager les parties en matière plastique. Dont : l'essence, le tétrachlorométhane, solvants chlorés, l'ammoniaque et produits de nettoyage domestiques contenant de l'ammoniaque.

Nettoyer de temps en temps les orifices de ventilation et les raccordements de la batterie à l'aide d'un pinceau doux, propre et sec.

– Ne pas utiliser des substances chimiques pour nettoyer la batterie.

## Système de refroidissement.

Rincez le système de refroidissement avec de l'eau, nettoyez-le et purgez-le complètement, si la machine est arrêtée pendant plus de deux semaines.

---

## Garantie.

---

La garantie du produit est valide conformément à la réglementation légale en vigueur dans le pays où le produit est mis sur le marché. Outre les obligations de garantie légale, les appareils FEIN sont garantis conformément à notre déclaration de garantie de fabricant.

Il se peut que seule une partie des accessoires décrits ou représentés dans cette notice d'utilisation soit fournie avec l'outil électrique.

---

## Protection de l'environnement, recyclage.

---

 **Ne pas jeter les batteries avec les ordures ménagères !**

Rapporter les emballages, les outils électriques hors d'usage et les accessoires dans un centre de recyclage respectant les directives concernant la protection de l'environnement.

N'éliminer les batteries que lorsqu'elles sont déchargées.

Si les batteries ne sont pas complètement déchargées, isoler par précaution le connecteur électrique à l'aide d'un ruban adhésif pour les protéger contre les courts-circuits.

---

## Transport.

---

Les batteries Lithium-ion sont soumises aux règlements de transport des matières dangereuses. L'utilisateur peut transporter les batteries par voie routière sans mesures supplémentaires.

Lors d'une expédition par tiers (par ex. : transport aérien ou entreprise de transport), les mesures à prendre spécifiques à l'emballage et au marquage doivent être observées. Dans un tel cas, lors de la préparation de l'envoi, il est impératif de faire appel à un expert en transport des matières dangereuses.

N'expédier les batteries que si le carter n'est pas endommagé. Recouvrir les contacts à l'air libre et emballer la batterie de manière à ce qu'elle ne se déplace pas dans l'emballage.

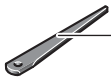
Veuillez également respecter des réglementations supplémentaires nationales éventuellement en vigueur.

## Accessoires fournis (figure 20).

Fig. 20



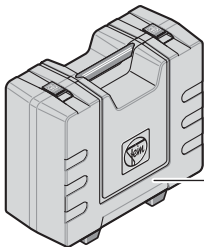
Porte-outil



Chasse-cône



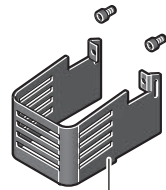
Sangle d'arrimage



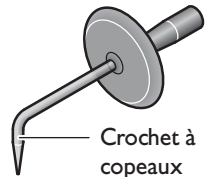
Coffret



Réservoir du produit de refroidissement



Dispositif anti-copeaux



Crochet à copeaux

**100 mm**

Goupille de centrage, longue

## Para su seguridad.

**⚠ ADVERTENCIA** Lea íntegramente estas advertencias de peligro e instrucciones. En caso de no atenerse a las advertencias de seguridad siguientes, ello puede ocasionar una descarga eléctrica, un incendio y/o lesión grave.

**Guardar todas las advertencias de peligro e instrucciones para futuras consultas.**

**🚫** No utilice esta herramienta eléctrica sin haber leído antes con detenimiento y haber entendido por completo estas instrucciones de uso, inclusive las ilustraciones, especificaciones, reglas de seguridad, así como las indicaciones identificadas con PELIGRO, ADVERTENCIA y PRECAUCIÓN.

Solamente use esta herramienta eléctrica para realizar los trabajos que el fabricante ha previsto para la misma. Únicamente utilice los útiles de corte y accesorios aprobados por el fabricante.

Observe también las respectivas prescripciones contra accidentes de trabajo vigentes en su país.

En caso de no atenerse a las instrucciones de seguridad mencionadas en la documentación previamente citada, ello puede provocar una electrocución, incendio y/o lesión grave.

Guarde estas instrucciones de uso para posteriores consultas y entréguelas al usuario en caso de prestar o vender la máquina.

**GUARDAR ESTAS INSTRUCCIONES EN UN LUGAR SEGURO.**

El término “herramienta eléctrica” empleado en las siguientes instrucciones de seguridad se refiere a herramientas eléctricas de conexión a la red (con línea) y a herramientas eléctricas accionadas por batería (o sea, sin línea).

## Instrucciones generales de seguridad.

### 1) Seguridad del puesto de trabajo

**a) Mantenga limpio y bien iluminado su puesto de trabajo.** El desorden o una iluminación deficiente en las áreas de trabajo pueden provocar accidentes.

**b) No utilice la herramienta eléctrica en un entorno con peligro de explosión, en el que se encuentren combustibles líquidos, gases o material en polvo.** Las herramientas eléctricas producen chispas que pueden llegar a inflamar los materiales en polvo o vapores.

**c) Mantenga alejados a los niños y otras personas de su puesto de trabajo al emplear la herramienta eléctrica.** Una distracción le puede hacer perder el control sobre la herramienta eléctrica.

### 2) Seguridad eléctrica

**a) El enchufe de la herramienta eléctrica debe corresponder a la toma de corriente utilizada. No es admisible modificar el enchufe en forma alguna. No emplear adaptadores en herramientas eléctricas dotadas con una toma de tierra.** Los enchufes sin modificar adecuados a las respectivas tomas de corriente reducen el riesgo de una descarga eléctrica.

**b) Evite que su cuerpo toque partes conectadas a tierra como tuberías, radiadores, cocinas y refrigeradores.** El riesgo a quedar expuesto a una sacudida eléctrica es mayor si su cuerpo tiene contacto con tierra.

**c) No exponga la herramienta eléctrica a la lluvia y evite que penetren líquidos en su interior.** Existe el peligro de recibir una descarga eléctrica si penetran ciertos líquidos en la herramienta eléctrica.

**d) No utilice el cable de red para transportar o colgar la herramienta eléctrica, ni tire de él para sacar el enchufe de la toma de corriente. Mantenga el cable de red alejado del calor, aceite, esquinas cortantes o piezas móviles.** Los cables de red dañados o enredados pueden provocar una descarga eléctrica.



- e) **Al trabajar con la herramienta eléctrica a la intemperie utilice solamente cables de prolongación apropiados para su uso en exteriores.** La utilización de un cable de prolongación adecuado para su uso en exteriores reduce el riesgo de una descarga eléctrica.
- f) **Si fuese imprescindible utilizar la herramienta eléctrica en un entorno húmedo, es necesario conectarla a través de un fusible diferencial.** La aplicación de un fusible diferencial reduce el riesgo a exponerse a una descarga eléctrica.
- 3) **Seguridad de personas**
- a) **Esté atento a lo que hace y emplee la herramienta eléctrica con prudencia. No utilice la herramienta eléctrica si estuviese cansado, ni tampoco después de haber consumido alcohol, drogas o medicamentos.** El no estar atento durante el uso de la herramienta eléctrica puede provocarle serias lesiones.
- b) **Utilice un equipo de protección personal y en todo caso unas gafas de protección.** El riesgo a lesionarse se reduce considerablemente si, dependiendo del tipo y la aplicación de la herramienta eléctrica empleada, se utiliza un equipo de protección adecuado como una mascarilla antipolvo, zapatos de seguridad con suela antideslizante, casco, o protectores auditivos.
- c) **Evite una puesta en marcha fortuita. Asegurarse de que la herramienta eléctrica esté desconectada antes de conectarla a la toma de corriente y/o al montar el acumulador, al recogerla, y al transportarla.** Si transporta la herramienta eléctrica sujetándola por el interruptor de conexión/desconexión, o si alimenta la herramienta eléctrica estando ésta conectada, ello puede dar lugar a un accidente.
- d) **Retire las herramientas de ajuste o llaves fijas antes de conectar la herramienta eléctrica.** Una herramienta de ajuste o llave fija colocada en una pieza rotante puede producir lesiones al poner a funcionar la herramienta eléctrica.
- e) **Evite posturas arriesgadas. Trabaje sobre una base firme y mantenga el equilibrio en todo momento.** Ello le permitirá controlar mejor la herramienta eléctrica en caso de presentarse una situación inesperada.
- f) **Lleve puesta una vestimenta de trabajo adecuada. No utilice vestimenta amplia ni joyas. Mantenga su pelo y vestimenta alejados de las piezas móviles.** La vestimenta suelta, el pelo largo y las joyas se pueden enganchar con las piezas en movimiento.
- g) **Siempre que sea posible utilizar unos equipos de aspiración o captación de polvo, asegúrese que éstos estén montados y que sean utilizados correctamente.** El empleo de estos equipos reduce los riesgos derivados del polvo.
- h) **No permita que la familiaridad ganada por el uso frecuente de la herramienta eléctrica lo deje creerse seguro e ignorar las normas de seguridad.** Una acción negligente puede causar lesiones graves en una fracción de segundo.
- 4) **Uso y trato cuidadoso de herramientas eléctricas**
- a) **No sobrecargue la herramienta eléctrica. Use la herramienta eléctrica prevista para el trabajo a realizar.** Con la herramienta eléctrica adecuada podrá trabajar mejor y más seguro dentro del margen de potencia indicado.
- b) **No utilice herramientas eléctricas con un interruptor defectuoso.** Las herramientas eléctricas que no se puedan conectar o desconectar son peligrosas y deben hacerse reparar.
- c) **Saque el enchufe de la red y/o retire el acumulador desmontable de la herramienta eléctrica, antes de realizar un ajuste, cambiar de accesorio o al guardar la herramienta eléctrica.** Esta medida preventiva reduce el riesgo a conectar accidentalmente la herramienta eléctrica.

- d) Guarde las herramientas eléctricas fuera del alcance de los niños. No permita la utilización de la herramienta eléctrica a aquellas personas que no estén familiarizadas con su uso o que no hayan leído estas instrucciones.** Las herramientas eléctricas utilizadas por personas inexpertas son peligrosas.
- e) Cuide la herramienta eléctrica y los accesorios con esmero. Controle si funcionan correctamente, sin atasarse, las partes móviles de la herramienta eléctrica, y si existen partes rotas o deterioradas que pudieran afectar al funcionamiento de la herramienta eléctrica. Haga reparar estas piezas defectuosas antes de volver a utilizar la herramienta eléctrica.** Muchos de los accidentes se deben a herramientas eléctricas con un mantenimiento deficiente.
- f) Mantenga los útiles limpios y afilados.** Los útiles mantenidos correctamente se dejan guiar y controlar mejor.
- g) Utilice la herramienta eléctrica, accesorios, útiles, etc. de acuerdo a estas instrucciones, considerando en ello las condiciones de trabajo y la tarea a realizar.** El uso de herramientas eléctricas para trabajos diferentes de aquellos para los que han sido concebidas puede resultar peligroso.
- h) Mantenga las empuñaduras y las superficies de las empuñaduras secas, limpias y libres de aceite y grasa.** Las empuñaduras y las superficies de las empuñaduras resbaladizas no permiten un manejo y control seguro de la herramienta eléctrica en situaciones imprevistas.
- 5) Trato y uso cuidadoso de herramientas accionadas por acumulador**
- a) Solamente cargar los acumuladores con los cargadores recomendados por el fabricante.** Existe un riesgo de incendio al intentar cargar acumuladores de un tipo diferente al previsto para el cargador.
- b) Solamente emplee los acumuladores previstos para la herramienta eléctrica.** El uso de otro tipo de acumuladores puede provocar daños e incluso un incendio.
- c) Si no utiliza el acumulador, guárdelo separado de clips, monedas, llaves, clavos, tornillos o demás objetos metálicos que pudieran puentear sus contactos.** El cortocircuito de los contactos del acumulador puede causar quemaduras o un incendio.
- d) La utilización inadecuada del acumulador puede provocar fugas de líquido. Evite el contacto con él. En caso de un contacto accidental enjuagar el área afectada con abundante agua. En caso de un contacto con los ojos recurra además inmediatamente a un médico.** El líquido del acumulador puede irritar la piel o producir quemaduras.
- e) No emplee acumuladores o útiles dañados o modificados.** Los acumuladores dañados o modificados pueden comportarse en forma imprevisible y producir un fuego, explosión o peligro de lesión.
- f) No exponga un acumulador o una herramienta eléctrica al fuego o a una temperatura demasiado alta.** La exposición al fuego o a temperatura sobre 130 °C puede causar una explosión.
- g) Siga todas las instrucciones para la carga y no cargue nunca el acumulador o la herramienta eléctrica a una temperatura fuera del margen correspondiente especificado en las instrucciones.** Una carga inadecuada o a temperaturas fuera del margen especificado puede dañar el acumulador y aumentar el riesgo de incendio.
- 6) Servicio**
- a) Únicamente haga reparar su herramienta eléctrica por un profesional, empleando exclusivamente piezas de repuesto originales.** Solamente así se mantiene la seguridad de la herramienta eléctrica.
- b) No repare los acumuladores dañados.** El entretenimiento de los acumuladores sólo debe ser realizado por el fabricante o un servicio técnico autorizado.

## Instrucciones de seguridad especiales.

### **Indicaciones de seguridad para unidades de taladrado.**

**Si necesita aplicar agua al taladrar cuide que el agua sea desviada fuera de la zona de trabajo o use un dispositivo apropiado para recoger líquidos.** Estas medidas de precaución evitan que se moje el área de trabajo y reducen el riesgo de electrocución.

**Sujete la herramienta eléctrica por las superficies de agarre aisladas al realizar trabajos en los que el útil de corte pueda llegar a tocar líneas eléctricas ocultas.** El contacto de un útil de corte con líneas bajo tensión puede hacer que las partes metálicas del aparato le provoquen una descarga eléctrica.

**Utilizar un protector acústico al taladrar con percusión.** El efecto del ruido puede provocar sordera.

**Si el útil se atora, deje de presionarlo, y desconecte la herramienta eléctrica.** Investigue por qué se ha atorado y elimine la causa de ello.

**Si quiere arrancar de nuevo una unidad de taladrado con el útil dentro de la pieza de trabajo cheque primero si éste se puede girar libremente.** Si el útil está atorado puede que sea forzado si no puede girar, o puede provocar que la unidad de taladrado se suelte de la pieza de trabajo.

**Al fijar el soporte de taladrar a la pieza con la placa de vacío observe que la superficie sea lisa, limpia y no porosa. No sujete el soporte de taladrar sobre superficies laminadas como, p. ej., azulejos y revestimientos en materiales compuestos.** Si la superficie de la pieza de trabajo no es lisa, plana ni está bien adherida puede que la placa de vacío se suelte de la pieza de trabajo.

**Antes de taladrar y mientras esté taladrando asegúrese de que el vacío producido sea suficiente.** Si el vacío no es suficiente puede que la placa de vacío se desprenda de la pieza de trabajo.

**Al taladrar en paredes o techos cuide que no corran peligro las personas ni el área de trabajo situados al otro lado.** La corona perforadora puede sobresalir del taladro y hacer que el núcleo de perforación caiga en el otro lado.

**No use esta herramienta para realizar trabajos por encima de la cabeza con aportación de agua.** Puede exponerse a una descarga eléctrica si penetra agua en la herramienta eléctrica.

### **Instrucciones de seguridad especiales.**

**No use una herramienta eléctrica dañada. Antes de cada uso controle que la carcasa y demás componentes de la herramienta eléctrica no presenten daños como grietas o roturas.**

**Utilice un equipo de protección. Dependiendo del trabajo a realizar use una protección para la cara o lentes de protección. Utilice un protector acústico.** Los lentes de protección deberán ser apropiados para protegerle de los fragmentos que pudieran salir despedidos al trabajar. La exposición permanente al ruido puede provocar sordera.

**No toque los fillos cortantes de la corona perforadora.** Podría lesionarse.

**Para evitar lesiones cheque las coronas perforadoras antes de comenzar el trabajo. Solo utilice coronas perforadoras que no estén dañadas ni deformadas.** Las coronas perforadoras dañadas o deformadas pueden acarrear graves lesiones.

**Antes de la primera puesta en marcha: Monte la guarda contra contacto en la máquina.**

**Siempre asegure la herramienta eléctrica con la correa de amarre suministrada.** Al realizar estos trabajos tenga cuidado con los objetos que pudieran caer, p. ej., núcleos de perforación o virutas.

**No utilice la bomba manual si la posición de trabajo de la máquina es horizontal, o bien, vertical mirando hacia arriba.** Emplee un spray de refrigeración en estos casos. La penetración de líquido en la herramienta eléctrica puede ocasionar una descarga eléctrica.

**Evite el contacto con el núcleo de perforación que el perno de centrado expulsa automáticamente al finalizar el trabajo.** Al ser golpeado por el núcleo, que además puede estar muy caliente, puede llegar a accidentarse.

**Para no lesionarse, siempre mantenga las manos, ropa, etc. alejadas de las virutas en rotación.** Las virutas pueden lesionarle. Siempre use la protección contra virutas.

**No intente retirar el útil mientras éste esté girando todavía.** Podría lesionarse gravemente.

**Preste atención a los conductores eléctricos y a las tuberías de agua y gas ocultas.** Antes de comenzar a trabajar explore la zona de trabajo, p. ej., con un detector de metales.

**No trabaje materiales que contengan magnesio.** Podría provocar un incendio.

**No trabaje CFRP (plástico reforzado con fibras de carbono) ni material que contenga amianto.** Estos materiales son cancerígenos.

**Esta prohibido fijar rótulos o señales a la herramienta eléctrica con tornillos o remaches.** Un aislamiento dañado no le protege de una electrocución.

**No sobrecargue la herramienta eléctrica ni el maletín de protección y no se coloque encima de ellos.** Al sobrecargar o colocarse encima de la herramienta eléctrica o del maletín de transporte puede que se desplace hacia arriba su centro de gravedad y vuelquen.

**No use accesorios que no hayan sido especialmente desarrollados u homologados por el fabricante de la herramienta eléctrica.** El mero hecho de que sea montable un accesorio en su herramienta eléctrica no es garantía de que su funcionamiento sea seguro.

**Limpie periódicamente las rejillas de refrigeración de la herramienta eléctrica empleando herramientas que no sean de metal.** El ventilador del motor aspira polvo hacia el interior de la carcasa. En caso de acumularse polvo de metal en exceso, ello puede provocar al usuario una descarga eléctrica.

## **Utilización y trato de acumuladores (conjunto acumulador)**

**Estas indicaciones de seguridad son solo válidas para baterías de iones de litio de 18V AMPShare de FEIN.**

**Solo use la batería en productos de los socios AMPShare.** Las baterías de 18V con marcado AMPShare son totalmente compatibles con los productos siguientes:

- todos los productos del sistema AMPShare de 18V de FEIN
- todos los productos de los socios de AMPShare.

**Si se utilizan o recargan baterías incorrectas, dañadas, reparadas, recuperadas, imitaciones o de otra marca, existe el riesgo de incendio y/o de explosión.**

**Observe las recomendaciones sobre baterías en las instrucciones de uso de su producto.** Solo así pueden funcionar sin peligro la batería y el producto, además de protegerse las baterías contra una sobrecarga peligrosa.

**Solo cargue las baterías con los cargadores que FEIN o un socio AMPShare recomienda.** Si intenta cargar baterías de un tipo diferente al previsto para el cargador, puede producirse un incendio.

**La batería se suministra parcialmente cargada.** Para obtener el pleno rendimiento de la batería, cargarla completamente en el cargador antes de su primer uso.

**Guarde las baterías fuera del alcance de los niños.**

**Las baterías no deben desarmarse, abrirse, ni fraccionarse. Evite que las baterías sean golpeadas.** Si la batería se daña o usa de forma inapropiada pueden emanarse vapores nocivos o fugarse líquido. Los vapores pueden irritar las vías respiratorias. El líquido de la batería puede irritar la piel o producir quemaduras.

**En caso de contacto con la piel del líquido de la batería, enjuagar de inmediato con abundante agua la zona afectada. ¡Si el líquido alcanza a penetrar en los ojos, enjuáguelos con abundante agua limpia y acuda de inmediato a un médico!**

**Si el líquido de la batería ha tocado las piezas adyacentes, controle dichas piezas. Use guantes de protección para evitar un contacto con la piel. Limpie las piezas con papel de cocina seco o sustituya las piezas, si fuese necesario.** Los vapores emanados pueden irritar las vías respiratorias. El líquido de la batería puede irritar la piel o producir quemaduras.

**No cortocircuite la batería. Si no utiliza la batería, guárdela separada de clips, monedas, llaves, clavos, tornillos o demás objetos metálicos que pudieran puentear sus contactos.** Un cortocircuito entre los contactos de la batería puede causar quemaduras o un incendio.

**Los objetos con punta como, p. ej., clavos o desarmadores y la aplicación de fuerzas externas pueden dañar la batería.** Ello puede causar un cortocircuito interno y hacer que la batería se incendie, que eche humo, explote o se sobrecaliente.

**Jamás dé mantenimiento a baterías dañadas.** Todos los trabajos de mantenimiento en baterías solo los realizarán el fabricante o los servicios técnicos autorizados para ello.



**Proteja la batería del calor, p. ej., también de una exposición prolongada al sol, del fuego, suciedad, agua y de la**



**humedad.** Existe el riesgo de explosión o cortocircuito.

**Solo utilice o almacene la batería a una temperatura ambiente situada entre -20 °C y +50 °C.** No deje p. ej. la batería en el coche en verano. A temperaturas < 0 °C puede presentarse una reducción de la potencia según el tipo de aparato.

**Solo cargue la batería a una temperatura ambiente situada entre 0 °C y +35 °C. Solo cargue baterías con conector USB a través del mismo y a una temperatura ambiente entre +10 °C y +35 °C.** La carga fuera de este rango de temperatura puede dañar la batería o aumentar el riesgo de incendio.

**Trate con cuidado las baterías descargadas. Los baterías suponen una fuente de peligro ya que la corriente de cortocircuito obtenida puede ser muy alta.** Incluso cuando las baterías iones de litio aparenten estar descargadas nunca lo están del todo.

**No sumerja la batería en líquidos como agua dulce/salada o bebidas. El contacto con líquidos puede dañar la batería.** Esto puede hacer que la batería se caliente, eche humo, se incendie o explote. No siga usando la batería y acuda a un servicio técnico autorizado FEIN.

**No use una batería dañada. La batería se dejará de usar de inmediato si se detecta una anomalía en la misma, p. ej., al percibir un olor, calor, decoloración o deformación.** Si aún así se sigue usando, la batería se puede sobrecalentar, echar humo, incendiarse o explotar.

**No abrir, aplastar, sobrecalentar ni quemar la batería.** En caso de no atenerse a ello corre peligro de quemarse o de provocar un incendio. Aténgase a las instrucciones del fabricante.

**Extinga las baterías de iones de litio incendiadas, con agua, arena o una manta ignífuga.**

**Evite los golpes/impactos físicos. Los golpes y la penetración de objetos pueden dañar las baterías.** Esto puede provocar fugas en la batería o que se caliente, eche humo, se incendie o explote.

**Jamás deje cargando sola la batería durante la noche.** En caso de no atenerse a ello existe el riesgo de incendio o explosión

**Únicamente saque la batería del embalaje original en el momento en que desee utilizarla.**

**Solamente desmonte la batería estando desconectada la herramienta eléctrica.**

**Desmonte la batería antes de trabajar en la herramienta eléctrica.** Si la herramienta eléctrica se pone en marcha sin querer ello puede causar un accidente.

**Proteja la batería de la humedad y del agua.** Si los contactos de la batería y de la herramienta eléctrica están sucios límpielos con un paño seco y limpio.

**Desmonte la batería de la herramienta eléctrica antes de transportarla y de guardarla. Aténgase a las indicaciones de seguridad en las instrucciones de uso de los cargadores de FEIN o de los socios de AMPShare.**

## Tratamiento de materiales en polvo peligrosos.

**⚠ ADVERTENCIA** Al trabajar con herramientas, p. ej., al lijar, pulir, serrar o realizar otros trabajos con arranque de material, los polvos que se producen pueden ser nocivos para la salud, autoinflamables o explosivos.

El contacto o inspiración de ciertos materiales en polvo puede provocar en el usuario, o en las personas circundantes, reacciones alérgicas y/o enfermedades respiratorias, cáncer, daños congénitos u otros trastornos reproductivos.

A continuación, indicamos algunos de estos materiales junto con los productos químicos que contienen, cuyo polvo producido al trabajar, puede ser nocivo para la salud:

- Amianto y materiales que contengan amianto;
- Pinturas que contengan plomo, ciertos tipos de madera como, p. ej., haya, encino y roble;
- Minerales y metales;
- Partículas de sílice de ladrillo, concreto y demás materiales que contengan mineral;
- Los solventes que contienen ciertas pinturas;
- Arsénico, cromo y otros conservadores de la madera;
- Materiales para combatir parásitos en cascos de botes o barcos;
- Polvos de acero inoxidable, de metales y de metales no férricos.

Para que la exposición a estos materiales sea mínima:

- Utilice un equipo de aspiración apropiado para el polvo producido.
- Use equipos de protección personal como, por ejemplo, una mascarilla guardapolvo con un filtro de la clase P2.
- Observe que esté bien ventilado el puesto de trabajo.

El riesgo derivado de la inspiración de polvo depende de la frecuencia con la que se procesen estos materiales. Los materiales que contengan amianto solamente deberán ser procesados por especialistas.

**⚠ ATENCIÓN** El polvo de madera y el de aleaciones ligeras puede autoinflamarse o provocar una explosión.

Si en el saco filtrante o en el filtro del aspirador, el polvo caliente producido al lijar se mezcla con restos de pintura, poliuretano, u otras materias químicas, puede que ésta se autoincendie bajo condiciones desfavorables como, p. ej., el salto de chispas al lijar metales, la exposición permanente y directa al sol, o una temperatura ambiente elevada.

Para prevenir esta situación:

- Evite que se sobrecalienten la pieza de trabajo y la herramienta eléctrica.
- Vacíe el depósito de polvo con suficiente antelación.
- Observe las instrucciones de elaboración del fabricante del material.
- Considere las prescripciones vigentes en su país sobre los materiales a trabajar.

## Valores de emisión de vibraciones y de ruido

**⚠ ADVERTENCIA** **Al trabajar con esta herramienta eléctrica se producen vibraciones en la mano y el brazo.** Ello puede llegar a afectar su salud.

**⚠ ADVERTENCIA** Las vibraciones generadas durante la aplicación actual de la herramienta eléctrica puede ser diferente del valor indicado, según el modo en que sea utilizada la herramienta.

**⚠ ADVERTENCIA** Con el fin de proteger al usuario, es necesario fijar medidas de seguridad en base a una estimación de la exposición resultante bajo las condiciones de uso actuales.

El nivel de emisión de vibraciones y de ruido indicado en estas instrucciones ha sido determinado según el procedimiento de medición fijado en la norma EN 62841 y puede servir como base de comparación con otras herramientas eléctricas. También es adecuado para estimar provisionalmente la exposición a las vibraciones y al ruido.

**⚠** Los niveles de vibración y ruido indicados representan las principales aplicaciones de la herramienta eléctrica.

Por ello, el nivel total de vibraciones y la emisión de ruido pueden ser diferentes si la herramienta eléctrica se utiliza en otras aplicaciones, con útiles diferentes, o si el mantenimiento de la misma fuese deficiente. Ello puede suponer un aumento drástico de la exposición a las vibraciones y al ruido durante el tiempo total de trabajo.

Para determinar con exactitud el nivel de exposición a las vibraciones y al ruido, es necesario considerar también aquellos tiempos en los que el aparato esté desconectado, o bien, esté en funcionamiento, pero sin ser utilizado realmente. Ello puede suponer una disminución drástica de la exposición a las vibraciones y al ruido durante el tiempo total de trabajo.

**⚠** Fije unas medidas de seguridad adicionales para proteger al usuario de los efectos por vibraciones y el ruido, como por ejemplo: Mantenimiento de la herramienta eléctrica y de los útiles, conservar calientes las manos, organización de las secuencias de trabajo.

## Emisión de ruidos (Indicación de dos cifras según ISO 4871)

<b>Emisión de ruido</b>	<b>AJMU 137 PMQW AS (**)</b>
Nivel de de presión sonora $L_{pA}$ (re 20 $\mu$ Pa), medido con filtro A en el puesto de trabajo, en decibelios	81.6
Inseguridad $K_{pA}$ , en decibelios	5
Nivel de potencia acústica $L_{wA}$ (re 1 pW), medido con filtro A, en decibelios	94.6
Inseguridad $K_{wA}$ , en decibelios	5
Valor pico del nivel de presión sonora $L_{pCpeak}$ medido con filtro C en el puesto de trabajo, en decibelios	96.2
Inseguridad $K_{pCpeak}$ , en decibelios	5
Promedio de vibraciones (taladrado con coronas)	
– $m/s^2$	1.1
– $ft/s^2$	3.6
Inseguridad $K$ , en	
– $m/s^2$	1.5
– $ft/s^2$	4.9

**OBSERVACIÓN:** la suma de los valores emitidos medidos, considerando la inseguridad respectiva, representa el límite superior que puede alcanzarse en las mediciones.



¡Utilizar unos protectores acústicos!

Valores de medición determinados según normativa del producto pertinente.


















## Utilización reglamentaria de la herramienta eléctrica:





















Unidad de taladrado para uso con útiles y accesorios homologados por FEIN en lugares cubiertos, para taladrar con coronas y brocas, rimar, avellanar y roscar en materiales con superficies magnetizables.








En lugares con perturbaciones puede que disminuya la calidad operacional, ya sea por una falla transitoria o por una degradación temporal del funcionamiento o del comportamiento funcional reglamentario, que precisarán de la intervención por el operario para corregirlas.



## Simbología.

Símbolo	Definición
	Es imprescindible leer los documentos que se adjuntan, como las instrucciones de servicio y las instrucciones generales de seguridad.
	AMPShare es el sistema de batería compartido que le permite usar muchas herramientas de muchas marcas profesionales con tan solo una batería.
	¡Seguir las instrucciones indicadas al margen!
	¡Seguir las instrucciones indicadas al margen!
	Antes de efectuar el trabajo descrito retire primero el acumulador de la herramienta eléctrica. De lo contrario, podría accidentarse al ponerse en marcha fortuitamente la herramienta eléctrica.
	Al trabajar protegerse los ojos.
	Al trabajar utilizar un protector acústico.
	No tocar las piezas en rotación de la herramienta eléctrica.
	No cargue baterías defectuosas.
	Proteja la batería del calor, p. ej., también de una exposición prolongada al sol, del fuego, suciedad, agua y de la humedad.
	Atención a los cantos agudos de los útiles como, p. ej., los filos de las cuchillas.
	¡Peligro de resbalamiento!
	¡Peligro de magulladura!
	¡Atención, posible caída de objetos!
	¡Superficie muy caliente!
	¡No tocar!
	¡Amarrar con la correa!

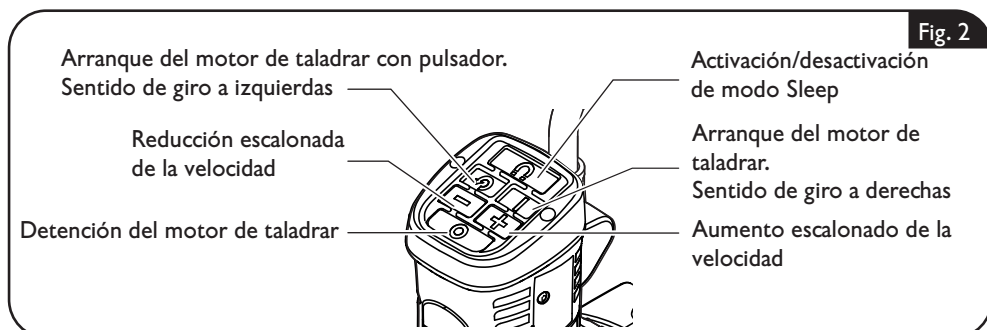
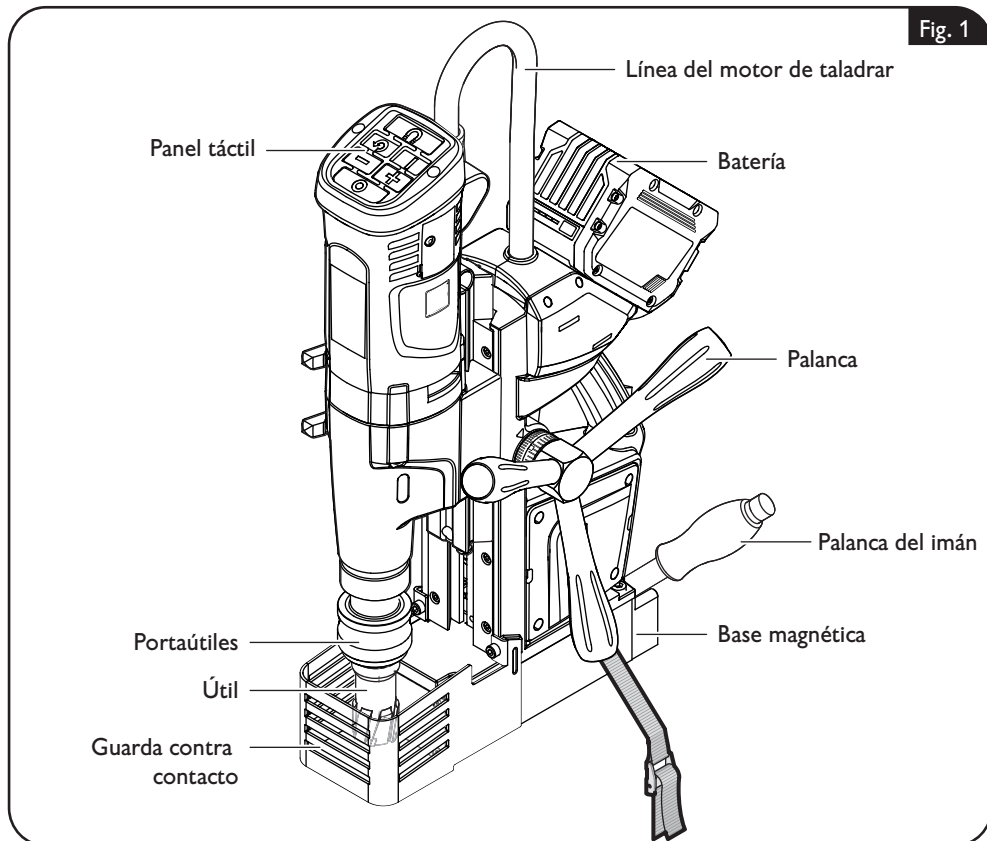
Símbolo	Definición
	¡Peligro de vuelco!
	No utilizar el imán cerca de marcapasos. El imán crea un campo que puede afectar al funcionamiento de los marcapasos.
	Conexión
	Desconexión
	Símbolo de prohibición general. Esta acción está prohibida.
	Atestigua la conformidad de la herramienta eléctrica con las directivas de la Comunidad Europea.
	Este símbolo confirma que este producto ha sido certificado en USA y Canadá.
	Este símbolo advierte sobre una situación peligrosa inminente. Un comportamiento incorrecto puede dar lugar a una lesión grave o incluso mortal.
	Este símbolo advierte sobre una situación peligrosa que puede comportar lesiones graves o mortales.
	Este símbolo advierte sobre una situación peligrosa en la que pudiera lesionarse.
	Símbolo de reciclaje: identificación de materiales reciclables
	Acumular por separado las herramientas eléctricas y demás productos electrotécnicos y eléctricos inservibles y someterlos a un reciclaje ecológico.
	Identifica empaques y productos reciclables que se deberán recoger y desechar por separado.
	Tipo de batería
	Tipo de cargador
	Macho de roscar
	Acero
	Baja velocidad
	Alta velocidad
	Fuerza de sujeción magnética posiblemente suficiente

Símbolo	Definición
	Fuerza de sujeción magnética, insuficiente
	Arranque del motor de taladrar. Giro a derechas
	Arranque del motor de taladrar con pulsador. Giro a izquierdas
	Reducción escalonada de la velocidad
	Aumento escalonado de la velocidad
	Detención del motor
	Activación / desactivación de modo Sleep
(Ax - Zx)	Identificación para fines internos
(**)	Puede contener cifras o letras



Símbolo	Unidad internacional	Definición
$n_{OR}$	rpm; /min; $\text{min}^{-1}$ ; r/min	Revoluciones en vacío (giro a derechas)
$n_{OL}$	rpm; /min; $\text{min}^{-1}$ ; r/min	Revoluciones en vacío (giro a izquierdas)
	$^{\circ}$	Ángulo
$U$	V= $\neq$ V d.c.	Tensión continua
$m$	lbs	Masa
$l$	ft, in	Unidad de medida para la longitud, ancho, altura, profundidad, diámetro o roscas
$\varnothing$	ft, in	Diámetro de una pieza redonda
$K...$		Incertidumbre
$a$	$\text{m/s}^2$	Nivel de vibraciones generadas según IEC 62841 (suma vectorial de tres direcciones)
	m, s, kg, A, mm, V, W, Hz, N, $^{\circ}\text{C}$ , dB, min, $\text{m/s}^2$	Unidades básicas y unidades derivadas del sistema internacional de unidades <b>SI</b> .

## Descripción técnica y especificaciones.

**⚠ ADVERTENCIA** **Desmonte la batería antes de montar o cambiar los útiles y accesorios.** Esta medida de seguridad preventiva evita los accidentes que pudieran presentarse en caso de una puesta en marcha involuntaria. El material de serie suministrado con su herramienta eléctrica puede que no corresponda en su totalidad al material descrito o mostrado en estas instrucciones de servicio.



<b>Tipo</b>	<b>AJMU 137 PMQW (**)</b>
N° de referencia	7 170 ...
Tensión nominal	18 V <sub>---</sub>
Revoluciones en vacío (giro a derechas)	520 rpm
Revoluciones en vacío (giro a izquierdas)	370 rpm
Ø de taladro máx. en acero hasta 400 N/mm <sup>2</sup> – metal duro (corona perforadora)	7/16 in – 1 3/8 in 12 mm – 35 mm
Ø de taladro máx. en acero hasta 400 N/mm <sup>2</sup> – acero de corte rápido de alto rendimiento (broca helicoidal)	11/16 in 18 mm
Taladro para roscar	1/2 in M14
Diámetro de rima	11/16 in 18 mm
Diámetro avellanar	1 1/4 in 31 mm
Temperatura ambiente admisible	32 °F ... 113 °F 0 °C ... + 45 °C
Peso según EPTA-Procedure 01	27.12 lbs 12.3 kg

<b>Tipo</b>	<b>CORE 18V 8 Ah GBA18V80</b>	<b>CORE 18V 12 Ah GBA18V120</b>
		
Peso según EPTA-Procedure 01 (Batería)	2.12 lbs 0.96 kg	2.98 lbs 1.35 kg
Tipo de batería		Lithium Ion
Tensión nominal		18V <sub>---</sub>
Temperatura ambiente admisible durante la carga		32 °F ... 95 °F 0 °C ... + 35 °C
Cargador		BC1880, GAL 18V-160

## Instrucciones de montaje.

**⚠ ADVERTENCIA** **Desmonte la batería antes de montar o cambiar los útiles y accesorios.** Esta medida de seguridad preventiva evita los accidentes que pudieran presentarse en caso de una puesta en marcha involuntaria.

### Desmontaje y carga de la batería (Figura 3).

❗ Lea las instrucciones de uso del cargador antes de cargar por primera vez la batería.

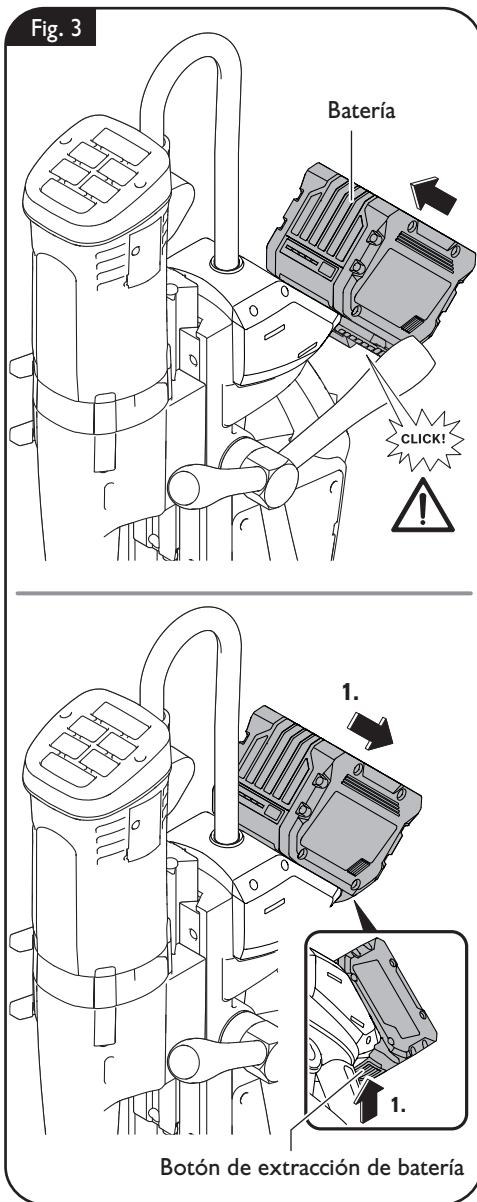
❗ Antes de la puesta en marcha, cargue completamente la batería.

Libere la batería presionando el botón de extracción y sáquela hacia delante de la agarradera. No proceda con brusquedad.

Conecte el cargador al enchufe, inserte en éste la batería y cargue la batería. Una vez finalizado el proceso de carga monte la batería en la herramienta eléctrica y saque la clavija del cargador del enchufe.

Una batería nueva alcanza su plena potencia después de haber sido cargada y descargada varias veces.

Asegúrese de que la batería esté correctamente enclavada y que no pueda caerse.




## Trato del acumulador.

Solo cargue la batería en un rango de temperatura de 0 °C ... 35 °C (32 °F ... 95 °F). Al comenzar a cargar la batería su temperatura deberá estar dentro del rango de temperatura especificado para la carga.

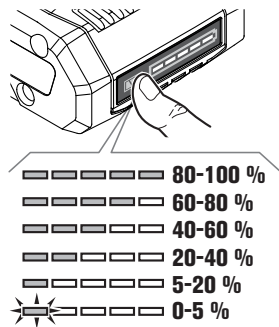
## Indicador de estado de carga de batería (Figura 4).

El nivel de carga se puede ver en los LED verdes de indicación del estado de carga de la batería. El nivel de carga solo se puede ver si la batería se ha retirado del aparato.

Si la batería está montada y el imán ya está activado, retroceder la palanca del imán a la posición de 30%, o si es necesario a 0%, y girarla de nuevo a la posición 100%. Presione el botón de indicación del estado de carga (On) o  para visualizar el nivel de carga.

La batería está dañada y debe cambiarse, si al pulsar el botón de indicación del estado de carga no se enciende ningún LED.

Fig. 4



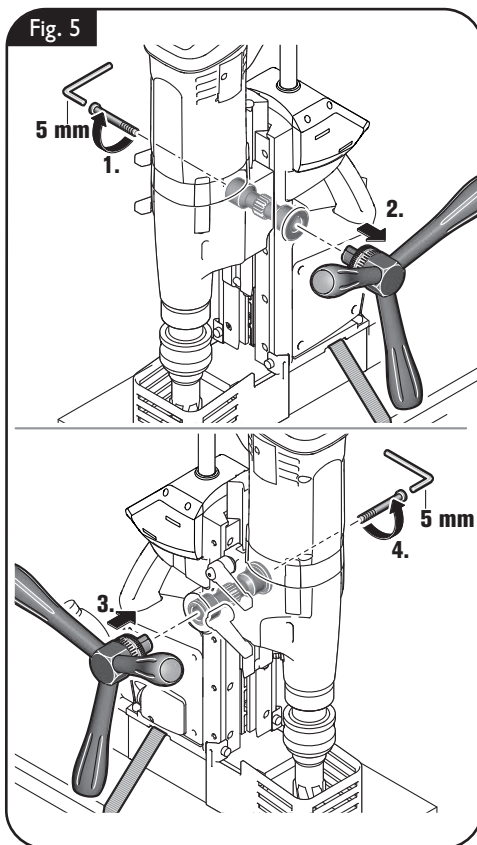
### Montaje de la palanca (Figura 5).

Es posible acoplar la palanca al lado que Ud. prefiera.

Afloje el tornillo con una llave Allen.

Retire la palanca.

Acople la palanca en el otro lado y apriete firmemente el tornillo con una llave allen.





## Llenado del depósito de refrigerante (Figura 6).

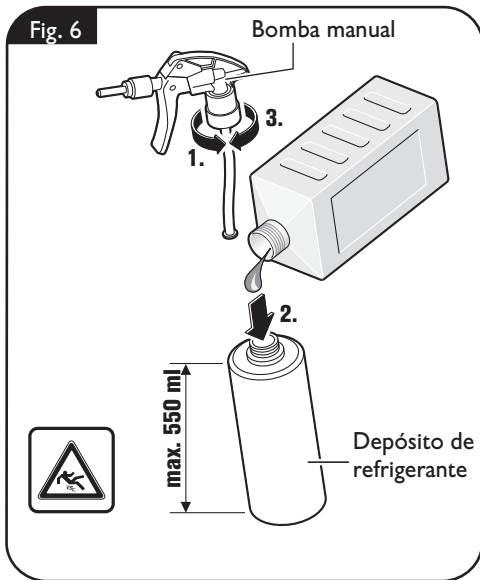
No utilice la unidad de taladrado si estuviese defectuoso el sistema de aportación de refrigerante. Verifique **antes de cada operación** la hermeticidad y la existencia de posibles fisuras en las mangueras. Evite que penetren líquidos en las piezas eléctricas.

Desenrosque la bomba manual del depósito de refrigerante.

Como refrigerante utilice exclusivamente taladrina (**emulsión de aceite en agua**).

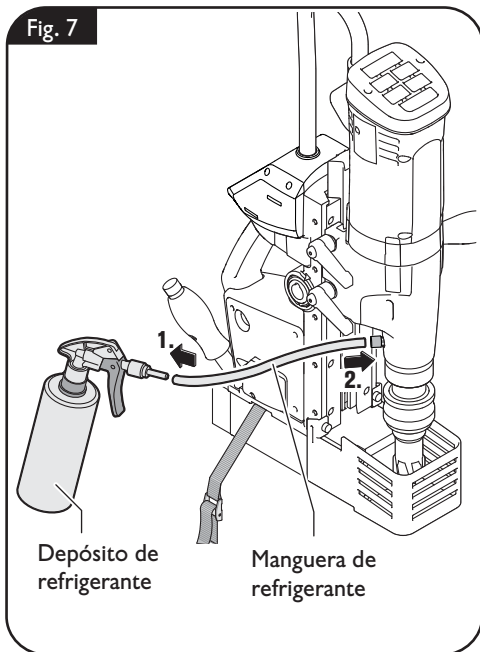
Preste atención a las instrucciones del fabricante del agente refrigerante.

Vuelva a enroscar la bomba manual del depósito de refrigerante.



## Conexión de la manguera de refrigerante (Figura 7).

Conecte la manguera de refrigerante.



## Cambio de útil (Figura 8).

**ADVERTENCIA** Desmonte la batería antes de montar o cambiar los útiles y accesorios. Esta medida de seguridad preventiva evita los accidentes que pudieran presentarse en caso de una puesta en marcha involuntaria.

**ADVERTENCIA** Siempre asegure la herramienta eléctrica con la correa de amarre suministrada. Al realizar estos trabajos tenga cuidado con los objetos que pudieran caer, p. ej., núcleos de perforación o virutas.

### Corona perforadora

Pase el perno de centrado por la corona perforadora.

Jale hacia abajo el casquillo tensor del porta-útiles y aloje en el mismo la corona perforadora junto con el perno de centrado.

**No toque los filos cortantes de la corona perforadora.** Podría lesionarse.

### Broquero

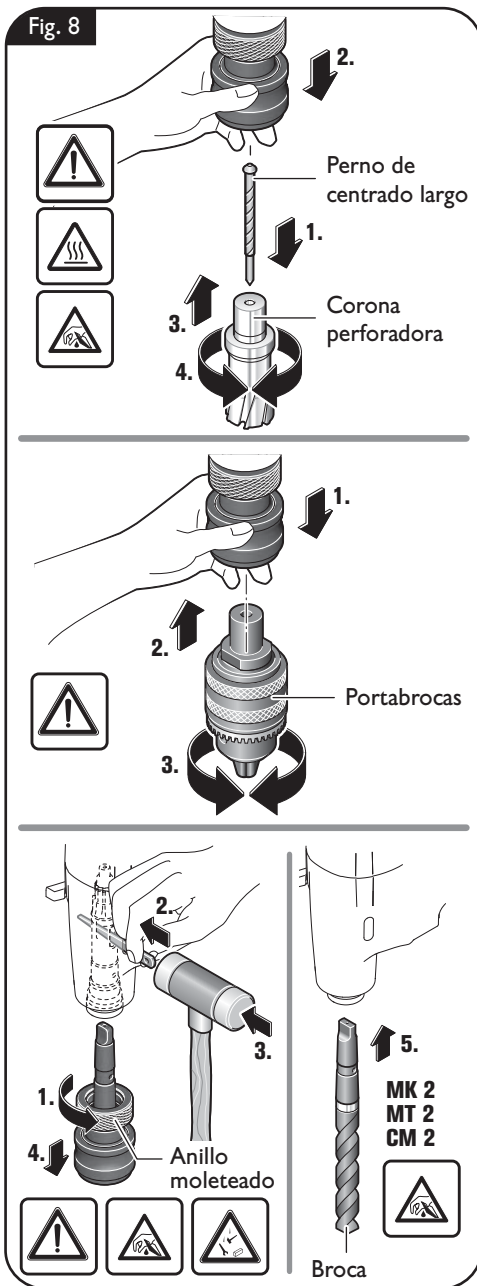
Jale hacia abajo el casquillo tensor del porta-útiles y aloje en el mismo el broquero.

### Broca

!La tuerca de bloqueo es de rosca a izquierdas, girarla a derechas para aflojarla!

Afloje la tuerca de bloqueo y emplee la cuña extractora para desmontar el porta-útiles.

Limpie el cono interior del eje motriz y monte la broca.

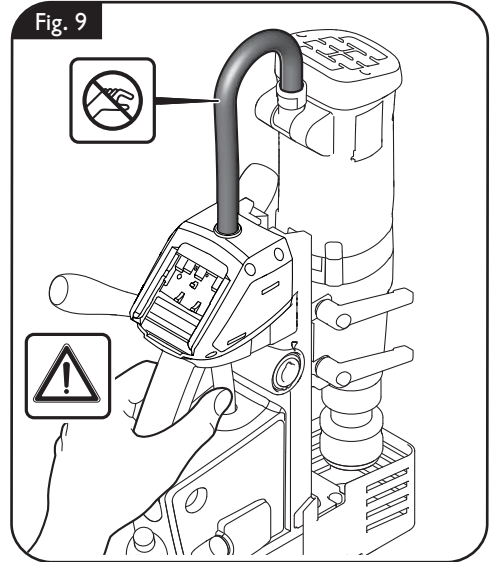


## Instrucciones para la operación.

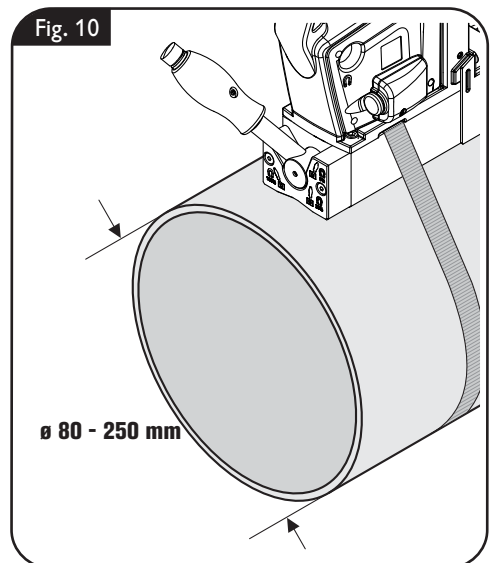
**⚠ ADVERTENCIA** **Desmonte la batería antes de montar o cambiar los útiles y accesorios.** Esta medida de seguridad preventiva evita los accidentes que pudieran presentarse en caso de una puesta en marcha involuntaria.

**⚠ ADVERTENCIA** **Siempre asegure la herramienta eléctrica con la correa de amarre suministrada.** Al realizar estos trabajos tenga cuidado con los objetos que pudieran caer, p. ej., núcleos de perforación o virutas.

**⚠** Siempre transporte la máquina sujetándola por la agarradera y no por el cable del motor. (Figura 9)

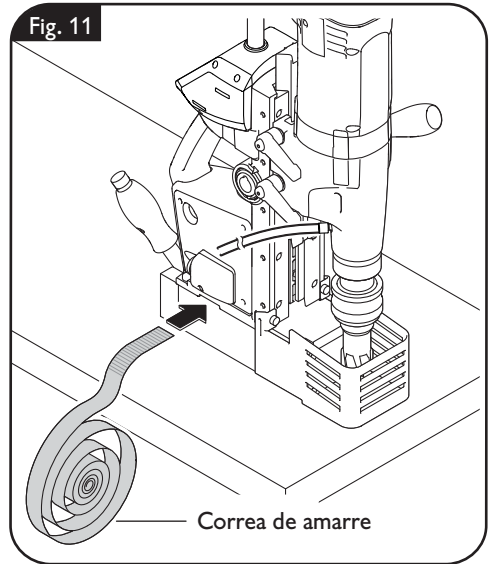


La base magnética tiene forma cóncava. Por ello puede colocar la base magnética directamente sobre un tubo de un diámetro de 80 - 250 mm. (Figura 10)



## Sujeción de la correa de amarre (Figura 11).

Siempre asegure la herramienta eléctrica a la pieza de trabajo con la correa de amarre suministrada.



## Conexión del imán (Figura 12).

❗ Observe que la superficie de fijación de la base magnética sea plana y que esté limpia y libre de óxido y de hielo. Elimine la pintura, capas de masilla y demás materiales que pudieran existir. Cuide que no haya espacios de aire entre la base magnética y la superficie de sujeción. Los espacios de aire reducen la fuerza magnética de sujeción.

❗ No use esta máquina sobre superficies calientes ya que ello podría reducir para siempre la fuerza de sujeción magnética.

❗ Siempre trabaje empleando la base magnética, cuidando que la fuerza de sujeción de ésta sea suficiente.

- Si la tecla verde luce permanentemente es probable que la fuerza de sujeción sea suficiente y la máquina puede operarse con **avance normal**.

- Si la tecla **Magnet** del panel de mando parpadea es probable que sea insuficiente la fuerza magnética de sujeción y es necesario operar la máquina con **fuerza de avance reducida**.

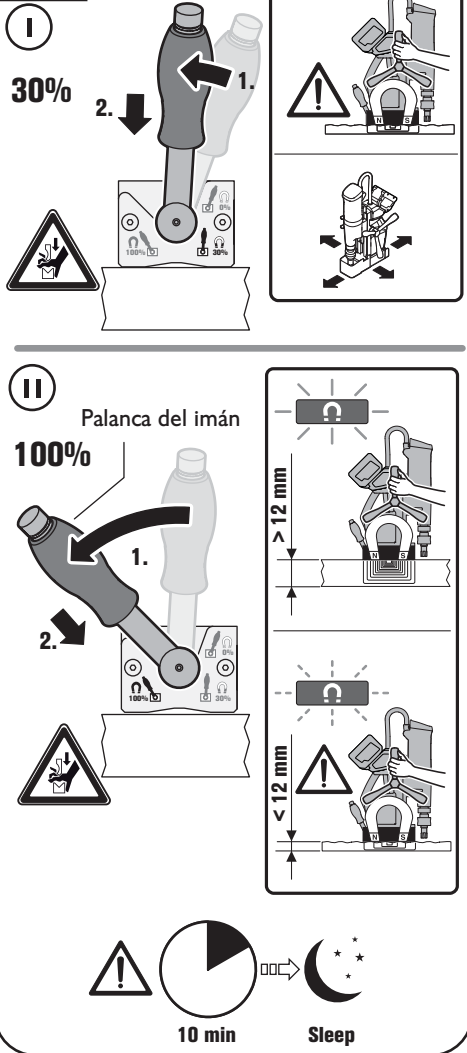
Al trabajar en materiales no magnéticos es necesario usar dispositivos de sujeción FEIN apropiados adquiribles como accesorio como, p. ej., la placa de vacío o el dispositivo para taladrar tubos. Observe para ello las respectivas instrucciones de uso.

Al trabajar en materiales de acero de un grosor inferior a 9 mm es necesario reforzarlos con una placa de acero adicional para asegurar que sea suficiente la fuerza magnética de sujeción.

Con la palanca puede irse conectando gradualmente la fuerza de sujeción magnética. Para el posicionamiento coloque la palanca en la posición de 30% y para conectar el imán en la posición de 100%.

Si han pasado 10 minutos sin realizar acción alguna, la unidad de taladrado cambia automáticamente al modo Sleep.

Fig. 12

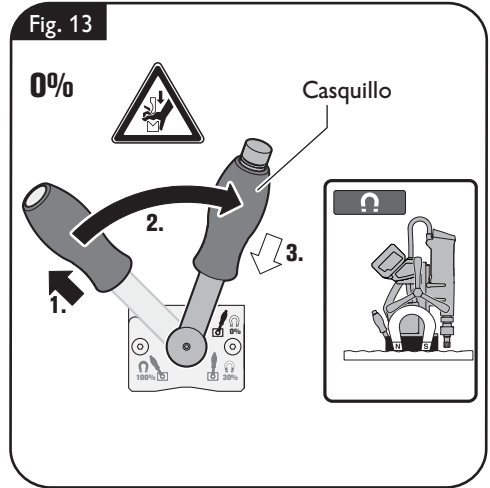


## Desconexión de la magnetización (Figura 13).

Desplace hacia arriba el casquillo de la palanca.

Coloque la palanca en la posición de 0%.

El casquillo de la palanca regresa automáticamente a la posición de partida.



## Ajuste del recorrido (Figura 14).

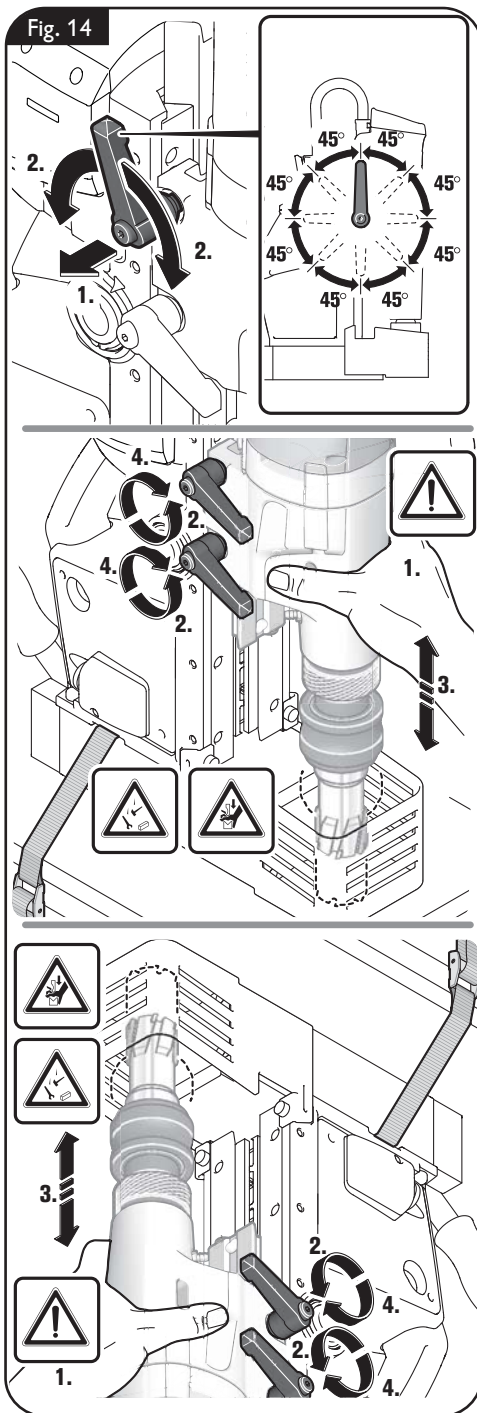
**⚠ ATENCIÓN** Al aflojar ambas palancas de sujeción agarre bien con una mano la herramienta eléctrica por el motor de taladrar.

Para poder girar las palancas de sujeción de manera que no se crucen, jale hacia afuera la palanca de sujeción y vaya girándola en pasos de  $45^\circ$ .

Afloje ambas palancas de sujeción con la otra mano.

Ajuste el recorrido deseado.

Vuelva a apretar ambas palancas de sujeción.



## Conexión y desconexión del refrigerante (Figura 15).

No utilice la unidad de taladrado si estuviese defectuoso el sistema de aportación de refrigerante. Verifique antes de cada operación la hermeticidad y la existencia de posibles fisuras en las mangueras. Evite que penetren líquidos en las piezas eléctricas.

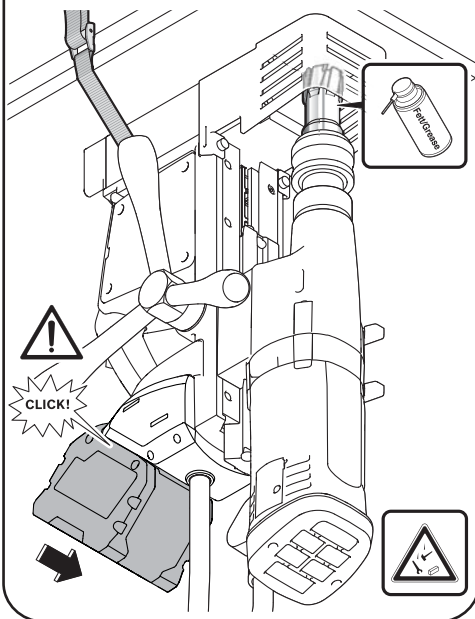
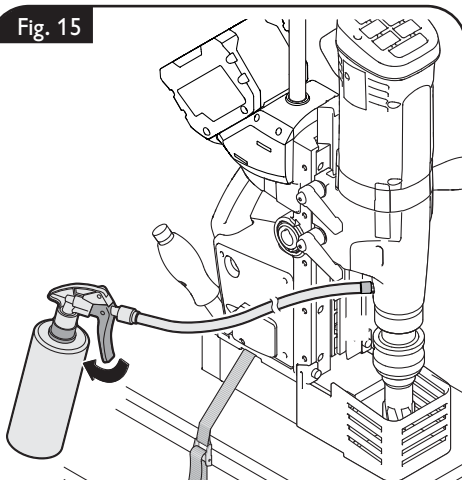
Inserte la manguera en la conexión para refrigerante de la máquina.

La aportación de refrigerante se realiza accionando la bomba manual.

Al realizar trabajos por encima de la cabeza emplee pasta refrigerante Slugger by FEIN.

Al efectuar trabajos por encima de la cabeza cuide que la batería esté correctamente enclavada y que no pueda caerse.

Fig. 15

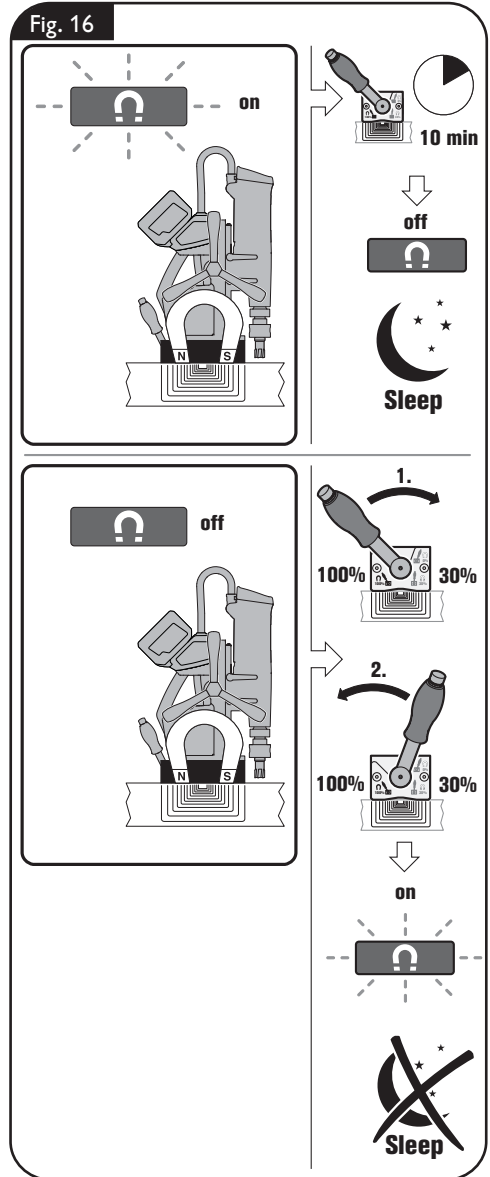





## Modo Sleep (Figura 16).

⚠ Después de conectar el imán permanente, la unidad de taladrado cambia automáticamente al modo Sleep después de 10 minutos. Esto permite ahorrar energía.

Para desactivar el modo Sleep retroceder la palanca del imán a la posición de 30%, o si es necesario a 0%, y girarla de nuevo a la posición 100%.






## Encendido y apagado del motor de taladrar (Figura 17).


Para arrancar el motor de taladrar con giro a derechas presione la tecla con el símbolo „“. El motor de taladrar arranca a la velocidad máxima.

Para reducir la velocidad pulse la tecla „“.

Para aumentar la velocidad pulse la tecla „“.

La última velocidad ajustada es memorizada automáticamente (**Memory Function**). Para poner en marcha la herramienta eléctrica a las revoluciones memorizadas, accione la tecla con el símbolo , y después la tecla con el símbolo .

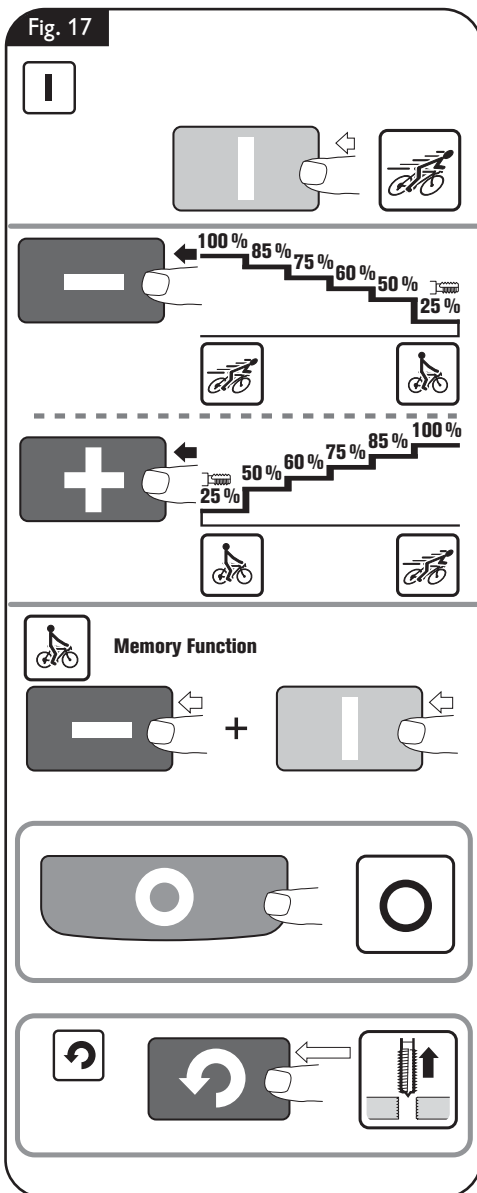
Para apagar el motor de taladrar pulse la tecla „“.

Para arrancar el motor de taladrar con giro a izquierdas, pulse la tecla con el símbolo „“. El motor de taladrar funciona mientras se tenga pulsada la tecla.

Si la alimentación eléctrica se corta estando el motor de taladrar en marcha (p. ej., al retirar la batería) un circuito de protección se encarga de evitar que éste se ponga automáticamente en marcha al volver a alimentarlo. Vuelva a conectar el motor de taladrar.

No detenga el motor de taladrar durante la perforación.

**En caso de sobrecargar el motor de taladrar éste se desconecta y tiene que arrancarse de nuevo.**



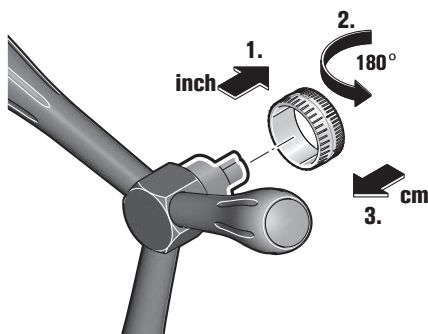
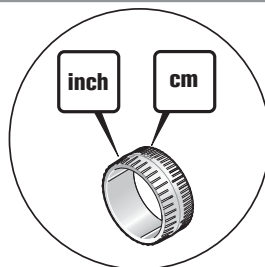
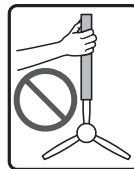
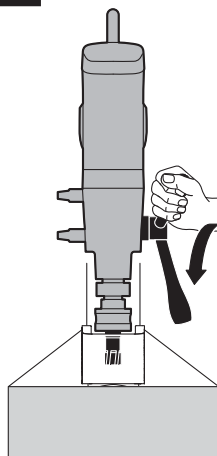
### Avance (Figura 18).

Solo aplique la fuerza de avance mínima necesaria para trabajar. Una fuerza de avance excesiva puede provocar la rotura del útil y hacer que se desprenda la base magnética.

Avance el motor de taladrar conectado girando a mano la palanca.

La escala la puede Ud. utilizar con la unidad de medida en "inch" o en "cm".

Fig. 18



## Indicaciones para taladrar con coronas.

Únicamente sacar la corona de la perforación con el motor en marcha.

Si la corona perforadora llega a atascarse en el material, detenga el motor de taladrar, y vaya sacando la corona perforadora girándola con cuidado en sentido contrario a las agujas del reloj.

Al terminar de taladrar retire las virutas y el núcleo resultante de la perforación.

❗ No toque las virutas con la mano desprotegida. Siempre utilice un gancho para virutas (6 42 01 001 00 0).

❗ ¡Peligro de quemadura!

Al cambiar la broca no dañe sus filos.

Al taladrar material compuesto por varias capas de diferente material utilice una corona perforadora ID Corona perforadora Slugger by FEIN apropiada para ello.

Al taladrar materiales compuestos por capas de diferente material con coronas perforadoras, vaya retirando el núcleo y las virutas a medida que va traspasando cada capa.

Aviso de falla/ Indicador de imán	Significado	Solución
Indicador verde encendido	Fuerza de sujeción magnética posiblemente suficiente	
Indicador verde parpadea	Fuerza de sujeción magnética, insuficiente	Al trabajar en materiales de acero de un grosor inferior a 9 mm es necesario reforzarlos con una placa de acero adicional para asegurar que sea suficiente la fuerza magnética de sujeción.
El indicador parpadea una o varias veces de color rojo	Se ha activado el detector de movimiento	Una vez corregida la falla puede volver a conectarse la máquina.
	Se ha activado el detector de sobrecarga	
	Teclas de giro a izquierdas/derechas/STOP bloqueadas	
	Batería con poca carga	Checar el nivel de carga de la batería.
El indicador luce en rojo durante 1 s y se apaga	Máquina defectuosa	Envíe la máquina a un servicio técnico FEIN.
El indicador no se enciende	La máquina se encuentra en el modo Sleep	Retroceder la palanca del imán a la posición de 30%, o si es necesario a 0%, y girarla de nuevo a la posición 100% (se desactiva el modo Sleep).
	Batería descargada o defectuosa	Checar el nivel de carga de la batería.
	Máquina defectuosa	Envíe la máquina a un servicio técnico FEIN.

## Reparación y servicio técnico.

**⚠ ADVERTENCIA** **Desmonte la batería antes de montar o cambiar los útiles y accesorios.**  
Esta medida de seguridad preventiva evita los accidentes que pudieran presentarse en caso de una puesta en marcha involuntaria.

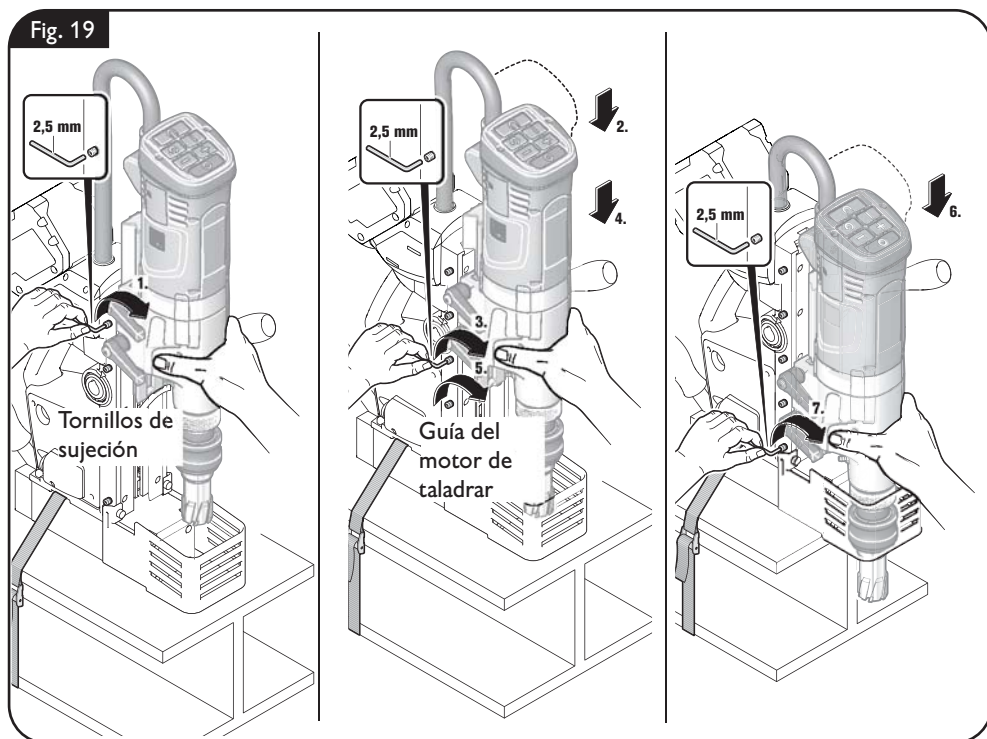
### Piezas sustituibles.

Si fuese preciso, puede sustituir Ud. mismo las piezas siguientes:

Útiles, bomba manual, batería

### Guía del motor de taladrar (Figura 19).

Con el uso puede llegar a aumentar el juego en la guía cola de milano. Esto puede hacer que el motor deslice hacia abajo por su propia cuenta en la guía cola de milano. Al descender bruscamente el motor puede llegar a dañarse el útil de corte. Para evitar esto apriete con cuidado los tornillos de sujeción de la guía cola de milano de manera que el motor pueda moverse fácilmente con la mano pero sin que llegue a deslizar por su propia cuenta.



## Servicio técnico.

**⚠ ADVERTENCIA** Únicamente deje realizar los trabajos de mantenimiento por un profesional. Las líneas y componentes mal montados pueden suponer un grave peligro. Deje efectuar el servicio requerido por un servicio técnico FEIN.

**⚠ ATENCIÓN** En caso de que se dañe la línea de la herramienta eléctrica es necesario sustituirla por una línea de refacción original adquirible a través de uno de los servicios técnicos FEIN.

Sustituya las etiquetas y las advertencias de peligro autoadhesivas en la herramienta eléctrica si ya no son legibles.

Los productos que hayan tenido contacto con asbesto no se harán reparar. Deseche los productos contaminados con asbesto de acuerdo a las prescripciones vigentes en su país sobre la eliminación de residuos que contengan asbesto.

Diríjase a un servicio técnico FEIN si necesita reparar una herramienta eléctrica FEIN o un accesorio. La dirección la encuentra en internet bajo [www.fein.com](http://www.fein.com).

Sustituya las etiquetas y las advertencias de peligro autoadhesivas en la herramienta eléctrica si ya no son legibles.

La lista de piezas de refacción actual para esta herramienta eléctrica la encuentra en internet bajo [www.fein.com](http://www.fein.com).

Solo emplee refacciones originales.

## Limpieza.

**⚠ ADVERTENCIA** Desmonte la batería antes de realizar trabajos de mantenimiento y limpieza. Esta medida de seguridad preventiva evita los accidentes que pudieran presentarse en caso de una puesta en marcha involuntaria.

**⚠ ADVERTENCIA** Al trabajar en ambientes cargados con polvo conductor de corriente, p. ej., en lugares que procesen metales, este polvo puede llegar a depositarse en el interior de la herramienta eléctrica. Por ello, sople con regularidad desde afuera aire comprimido seco por las rejillas de refrigeración para limpiar el interior de la herramienta eléctrica; utilice siempre unos lentes de protección.

**⚠ ATENCIÓN** No intente limpiar las rejillas de refrigeración de la herramienta eléctrica con objetos metálicos en punta, emplee para ello objetos que no sean de metal.

**⚠ ATENCIÓN** No aplique agentes de limpieza ni disolventes que pudieran atacar a las piezas de plástico.

Algunos de ellos son: Gasolina, tetracloruro de carbono, disolventes que contengan cloro, amoniaco, o detergentes domésticos que contengan amoniaco.

Limpie periódicamente las rejillas de refrigeración de su herramienta eléctrica y los contactos de la batería con un pincel blando, limpio y seco.

- No use sustancias químicas para limpiar la batería.

### Circuito de refrigeración.

Enjuague el circuito de refrigeración con agua, límpielo, y vacíelo completamente si tiene previsto no utilizar la máquina durante más de dos semanas.

---

## Garantía.

---

La garantía del producto se realiza de acuerdo a las regulaciones legales vigentes en el país de adquisición. Adicionalmente, FEIN ofrece una garantía ampliada de acuerdo con la declaración de garantía del fabricante FEIN.

El material de serie suministrado con su herramienta eléctrica puede que no corresponda en su totalidad al material descrito o mostrado en estas instrucciones de servicio.

---

## Protección del medio ambiente, eliminación.

---



**No arroje las baterías inservibles a la basura.**

Los embalajes, y las herramientas eléctricas y accesorios inservibles deberán entregarse a los puntos de recogida correspondientes para que puedan ser sometidos a un reciclaje ecológico.

Únicamente entregue acumuladores que estén descargados a un punto de recogida regularizado.

Si los acumuladores no estuviesen totalmente descargados aisle sus contactos con cinta adhesiva para prevenir un posible cortocircuito.

---

## Transport.

---

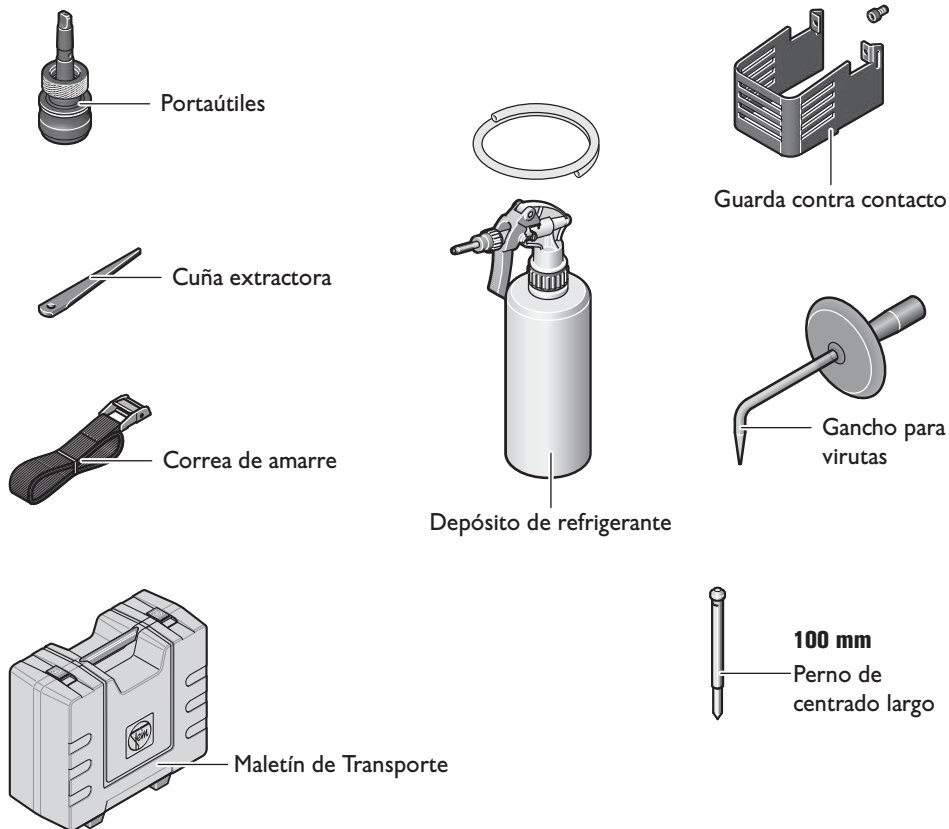
Las baterías de iones de litio están sujetas a los requisitos estipulados en la legislación sobre mercancías peligrosas. El usuario puede transportar las baterías por carretera sin más imposiciones.

En caso de un envío por terceros (p. ej., transporte aéreo o agencia de transportes) se deberán considerar las exigencias especiales en cuanto a su embalaje e identificación. En ese caso deberá consultar a un experto en mercancías peligrosas al preparar la pieza para su envío.

Únicamente envíe baterías si su carcasa no está dañada. Pegue con cinta adhesiva los contactos desprotegidos y embale la batería de manera que ésta no se pueda mover dentro del embalaje. Considere también las prescripciones adicionales que puedan existir al respecto en su país.

## Accesorios incluidos en el suministro (Figura 20).

Fig. 20







**USA**

FEIN Power Tools, Inc.  
1000 Omega Drive  
Suite 1180  
Pittsburgh, PA 15205  
[www.feinus.com](http://www.feinus.com)

**Canada**

FEIN Canadian Power Tool Company  
323 Traders Boulevard East  
Mississauga, Ontario L4Z 2E5  
[www.fein.ca](http://www.fein.ca)

**FEIN Service**

FEIN Power Tools, Inc.  
2735 Hickory Grove Road  
Davenport, IA 52804  
[magdrillrepair@feinus.com](mailto:magdrillrepair@feinus.com)

**Headquarter**

C. & E. Fein GmbH  
Hans-Fein-Straße 81  
D-73529 Schwäbisch Gmünd-Bargau  
[www.fein.com](http://www.fein.com)

