

JMU 404 M (\*\*)

7 270 ... / 7 273 ...

**en** Instruction Manual



**fr** Mode d'emploi



**es** Instrucciones de uso




## For your safety.

### **WARNING** Read all safety warnings and all instructions. Failure to

follow the warnings and instructions may result in electric shock, fire and/or serious injury.

**Save all warnings and instructions for future reference.**

 Do not use this power tool before you have thoroughly read and completely understood this Instruction Manual, including the figures, specifications, safety regulations and the signs indicating DANGER, WARNING and CAUTION.

Only carry out such operations with this power tool as intended for by the manufacturer. Only use cutting tools and accessories that have been approved by the manufacturer.

Please also observe the relevant national industrial safety regulations.

Non-observance of the safety instructions in the said documentation can lead to an electric shock, burns and/or severe injuries.

This Instruction Manual should be kept for later use and enclosed with the power tool, should it be passed on or sold.

**SAVE THESE INSTRUCTIONS.**

The term “power tool” in the warnings refers to your mains-operated (corded) power tool or battery operated (cordless) power tool.

## General Power Tool Safety Warnings.

- 1) **Work area safety**
  - a) **Keep work area clean and well lit.** Cluttered or dark areas invite accidents.
  - b) **Do not operate power tools in explosive atmospheres, such as in the presence of flammable liquids, gases or dust.** Power tools create sparks which may ignite the dust or fumes.
  - c) **Keep children and bystanders away while operating a power tool.** Distractions can cause you to lose control.
- 2) **Electrical safety**
  - a) **Power tool plugs must match the outlet. Never modify the plug in any way. Do not use any adapter plugs with earthed (grounded) power tools.** Unmodified plugs and matching outlets will reduce risk of electric shock.
  - b) **Avoid body contact with earthed or grounded surfaces, such as pipes, radiators, ranges and refrigerators.** There is an increased risk of electric shock if your body is earthed or grounded.
  - c) **Do not expose power tools to rain or wet conditions.** Water entering a power tool will increase the risk of electric shock.
  - d) **Do not abuse the cord. Never use the cord for carrying, pulling or unplugging the power tool. Keep cord away from heat, oil, sharp edges and moving parts.** Damaged or entangled cords increase the risk of electric shock.
  - e) **When operating a power tool outdoors, use an extension cord suitable for outdoor use.** Use of a cord suitable for outdoor use reduces the risk of electric shock.
  - f) **If operating a power tool in a damp location is unavoidable, use a residual current device (RCD) protected supply.** Use of an RCD reduces the risk of electric shock.
- 3) **Personal safety**
  - a) **Stay alert, watch what you are doing and use common sense when operating a power tool. Do not use a power tool while you are tired or under the influence of drugs, alcohol or medication.** A moment of inattention while operating power tools may result in serious personal injury.
  - b) **Use personal protective equipment. Always wear eye protection.** Protective equipment such as dust mask, non-skid safety shoes, hard hat, or hearing protection used for appropriate conditions will reduce personal injuries.

- c) **Prevent unintentional starting.** Ensure the switch is in the off-position before connecting to power source and/or battery pack, picking up or carrying the tool. Carrying power tools with your finger on the switch or energising power tools that have the switch on invites accidents.
  - d) **Remove any adjusting key or wrench before turning the power tool on.** A wrench or a key left attached to a rotating part of the power tool may result in personal injury.
  - e) **Do not overreach. Keep proper footing and balance at all times.** This enables better control of the power tool in unexpected situations.
  - f) **Dress properly. Do not wear loose clothing or jewellery. Keep your hair and clothing away from moving parts.** Loose clothes, jewellery or long hair can be caught in moving parts.
  - g) **If devices are provided for the connection of dust extraction and collection facilities, ensure these are connected and properly used.** Use of dust collection can reduce dust-related hazards.
  - h) **Do not let familiarity gained from frequent use of tools allow you to become complacent and ignore tool safety principles.** A careless action can cause severe injury within a fraction of a second.
- 4) Power tool use and care**
- a) **Do not force the power tool. Use the correct power tool for your application.** The correct power tool will do the job better and safer at the rate for which it was designed.
  - b) **Do not use the power tool if the switch does not turn it on and off.** Any power tool that cannot be controlled with the switch is dangerous and must be repaired.
  - c) **Disconnect the plug from the power source and/or remove the battery pack, if detachable, from the power tool before making any adjustments, changing accessories, or storing power tools.** Such preventive safety measures reduce the risk of starting the power tool accidentally.
  - d) **Store idle power tools out of the reach of children and do not allow persons unfamiliar with the power tool or these instructions to operate the power tool.** Power tools are dangerous in the hands of untrained users.
  - e) **Maintain power tools and accessories. Check for misalignment or binding of moving parts, breakage of parts and any other condition that may affect the power tool's operation. If damaged, have the power tool repaired before use.** Many accidents are caused by poorly maintained power tools.
  - f) **Keep cutting tools sharp and clean.** Properly maintained cutting tools with sharp cutting edges are less likely to bind and are easier to control.
  - g) **Use the power tool, accessories and tool bits etc. in accordance with these instructions, taking into account the working conditions and the work to be performed.** Use of the power tool for operations different from those intended could result in a hazardous situation.
  - h) **Keep handles and grasping surfaces dry, clean and free from oil and grease.** Slippery handles and grasping surfaces do not allow for safe handling and control of the tool in unexpected situations.
- 5) Service**
- a) **Have your power tool serviced by a qualified repair person using only identical replacement parts.** This will ensure that the safety of the power tool is maintained.

## Safety instructions.

When performing drilling that requires the use of a fluid, route the fluid away from the operator's work area or use a collection sys-

tem. Such precautionary measures keep the operator's work area dry and reduce the risk of electrical shock.

**Operate the power tool by the insulated gripping surfaces, when performing an operation where the cutting accessory may contact hidden wiring or its own cord.** Contact of a cutting accessory with a "live" wire may make exposed metal parts of the power tool "live" and could give the operator an electric shock.

**Wear hearing protection when drilling.**

Exposure to noise can cause hearing loss.

**When the application tool jams, stop applying pressure and switch the power tool off.**

Check the cause of the jam and apply corrective action to eliminate the cause of the jamming application tool.

**When restarting a core drill jammed in the workpiece, check that the application tool rotates freely before starting.** If the application tool is jammed, it may not start, may overload the power tool, or may cause the core drill to release from the workpiece.

**When drilling through walls or ceilings, ensure to protect persons and the work area on the other side.** The core bit may extend through the hole or the core may fall out on the other side.

**Do not use this tool for overhead drilling with fluid supply.** Fluids entering the power tool will increase the risk of electric shock.

**Have the protective cable bushing replaced immediately when damaged.** A defective protective cable bushing can lead to overheating of the machine.

## **Special safety instructions.**

**Wear protective equipment. Depending on the application, wear face shield or safety goggles. Wear hearing protection.** The safety glasses/goggles must be suitable to protect against the particles emitted from different operations. Continuous high exposure to noise can lead to loss of hearing.

**Do not touch the sharp edges of the core drill bit.** Danger of injury.

**To avoid injuries, check the core drill bits prior to starting the work. Use only undamaged core drill bits that are not deformed.** Damaged or deformed core drill bits can cause serious injury.

**Before putting into operation: Mount the chip guard to the machine.**

**Always secure the power tool with the provided safety strap.** When carrying out such work, beware of falling objects, such as core bits or chips.

**When working overhead or on vertical surfaces, the coolant container must not be used.** Use Slugger Cutting Paste instead. Liquids penetrating your electric power tool may cause electric shock.

**Avoid touching the drilled core that is automatically ejected by the pilot pin when the working procedure is finished.** Contact with the core when it is hot, or if it falls, can cause personal injuries.

**Operate the power tool only from grounded contact sockets that comply with the specifications. Do not use any connection cables that are damaged; use extension cables with a grounded contact that are checked at regular intervals.** A ground conductor without continuity can cause an electric shock.

**To prevent injuries, always keep your hands, clothing, etc. away from rotating swarf.** The swarf can cause injuries. Always use the chipping protector.

**Do not attempt to remove the cutting tool if it still turns.** This can lead to serious injuries.

**Beware of any concealed electric cables, gas or water conduits.** Check the working area before commencing work, e. g. with a metal detector.

**Do not work materials containing magnesium.** Danger of fire.

**Do not work CFP (carbon-fiber-reinforced polymer) and materials containing asbestos.** These materials are considered carcinogenic.

**Do not rivet or screw any name-plates or signs onto the power tool.** If the insulation is damaged, protection against an electric shock will be ineffective. Adhesive labels are recommended.

**Do not overload the power tool or the storage case and do not use it as a ladder or stand.** Overloading or standing on the power tool or the storage case can lead to the upward shifting of the center of gravity of the power tool or the storage case, and its tipping over.

**Do not use accessories which are not specifically designed and recommended by the power tool manufacturer.** Safe operation is not ensured merely because an accessory fits your power tool.

**Clean the ventilation openings on the power tool at regular intervals using non-metal tools.** The blower of the motor draws dust into the housing. An excessive accumulation of metallic dust can cause an electrical hazard.

## Handling hazardous dusts.

**⚠ WARNING** **When working with power tools, such as when grinding, sanding, polishing, sawing or for other work procedures where material is removed, dusts develop that are both hazardous to one's health and can spontaneously combust or be explosive.**

Contact with or inhaling some dust types can trigger allergic reactions to the operator or bystanders and/or lead to respiratory infections, cancer, birth defects or other reproductive harm.

Examples of such materials which contain chemicals that can produce hazardous dusts, are:

- Asbestos and materials containing asbestos;
- Lead-containing coatings, some wood types such as beech and oak;
- Minerals and metal;
- Silicate particles from bricks, concrete and other materials containing stone;
- Solvent from solvent-containing paint/varnish;
- Arsenic, chromium and other wood preservatives;
- Materials for pesticide treatment on boat and ship hulls;
- Stainless steel dust, metal dust and non-ferrous metal dust;

## Hand/arm vibrations.

**⚠ WARNING** **While working with this power tool, hand/arm vibrations occur.** These can lead to health impairments.

**For transport of the machine, use only swivel eyelets. After assembling, check the tight seating of the eyelet.**

**Before putting into operation, check the power connection and the power plug for damage.**

**Always operate the power tool with together with a PRCD personal protection switch (\*). Before beginning to work, always check the proper functioning of the PRCD personal protection switch (\*) (see page 23).**

To minimize the unwanted intake of these materials:

- Use dust extraction matched appropriately for the developing dust.
- Use personal protective equipment, such as a P2 filter-class dust protection mask.
- Provide for good ventilation of the workplace.

The risk from inhaling dusts depends on how often these materials are worked. Materials containing asbestos may only be worked on by specialists.

**⚠ CAUTION** **Wood and light-metal dust can cause spontaneous combustion or explosions.**

Hot mixtures of sanding dust and paint/varnish residuals or other chemical materials in the filter bag or the vac filter can self-ignite under unfavourable conditions, such as sparking from sanding metal, continuous sunlight or high ambient temperatures. To prevent this:

- Avoid overheating the material being sanded and the power tool.
- Empty the dust collector/container routinely.
- Observe the material manufacturer's working instructions.
- Observe the relevant regulations for the materials being worked.

**⚠ WARNING** The vibration emission value during actual use of the power tool can differ from the declared value depending on the ways in which the tool is used.

**⚠ WARNING** It is necessary to identify safety measures to protect the operator that are based on an estimation of exposure in the actual conditions of use.

The vibration emission level given in this information sheet has been measured in accordance with a standardized test given in EN 62841 and may be used to compare one tool with another. It may be used for a preliminary assessment of the vibrational impact.

The declared vibration emission level represents the main applications of the power tool. However, if the power tool is used for other applications with different accessories or poorly maintained, the vibration emission

may differ. This may significantly increase the vibrational impact over the total working period.

An estimation of the level of exposure to vibration should also take into account the times when the tool is switched off or when it is running but not actually doing the job. This may significantly reduce the vibrational load over the total working period.

Identify additional safety measures to protect the operator from the effects of vibration such as: Maintain the power tool and the accessories, keep the hands warm, organization of work patterns.

## Emission values for sound (Two-figure – specifications as per ISO 4871)

### Sound emission

### JMU 404 M (\*\*)

A-weighted emission pressure power level measured at the workplace

$L_{pA}$  (re 20  $\mu\text{Pa}$ ), in decibels

86.0

Measuring uncertainty  $K_{pA}$ , in decibels

5

Measured A-weighted sound power level  $L_{wA}$  (re 1 pW), in decibels

97.0

Measuring uncertainty  $K_{wA}$ , in decibels

5

C-weighted peak sound pressure level measured at the workplace

$L_{pCpeak}$  in decibels

98.5

Measuring uncertainty  $K_{pCpeak}$  in decibels

5

Mean vibrational value (core drilling)

–  $\text{m/s}^2$

< 1.4

–  $\text{ft/s}^2$

4.56

Measuring uncertainty  $K$ , in


–  $\text{m/s}^2$

1.5

–  $\text{ft/s}^2$

4.9

REMARK: The sum of the measured emission value and respective measuring inaccuracy represents the upper limit of the values that can occur during measuring.

 Wear hearing protection!

Measured values determined in accordance with the corresponding product standard.

### Extension cable.

**⚠ WARNING** If the use of an extension cord is required, its length and conductor cross-section must be adequate for the application in order to prevent a voltage drop in the extension cord, power loss and overheating of the power tool. Other-

wise, the extension cable and power tool are prone to electrical danger, and the working efficiency is decreased.

## Intended use of the power tool:












Magnetic core drill unit for drilling with core drill bits and solid drill bits, reaming, countersinking and tapping on materials with surfaces suitable for magnets in weather-protected environments using the application tools and accessories recommended by FEIN.

## Operation of the power tool off power generators.























ⓘ This power tool is also suitable for use with AC generators with sufficient power output that correspond to the Standard ISO 8528, design type G2. This Standard is particularly not complied with when the so-called distortion factor exceeds 10 %. When in doubt, please refer to the generator instruction/specification guide.






**⚠ WARNING** Operating the power tool off power generators whose no-load speed exceeds the voltage value on the type plate of the power tool is prohibited.

## Symbols.

Symbol, character	Explanation
	Make sure to read the enclosed documents such as the Instruction Manual and the General Safety Instructions.
	Observe the instructions in the text or graphic opposite!
	Observe the instructions in the text or graphic opposite!
	Before commencing this working step, pull the power plug out of the socket. Otherwise there will be danger of injury if the power tool should start unintentionally.
	Use eye protection during operation.
	Use ear protection during operation.
	Do not touch the rotating parts of the power tool.
	Warning against sharp edges of application tools, such as the cutting edges of the cutter blades.
	Danger of slipping!
	Danger of crushes or contusions!
	Caution! Falling objects!



Symbol, character	Explanation
	Hot surface!
	Do not reach in!
	Fasten strap!
	General prohibition sign. This action is prohibited.
	This symbol confirms the certification of this product for the USA and Canada.
	This sign warns of a directly imminent, dangerous situation. A false reaction can cause a severe or fatal injury.
	This sign indicates a possible dangerous situation that could cause severe or fatal injury.
	This sign warns of a possible dangerous situation that could cause injury.
	Recycling code: identifies recyclable materials
	Worn out power tools and other electrotechnical and electrical products should be sorted separately for environmentally-friendly recycling.
	Steel
	Low speed
	High speed
	Magnetic holding power, sufficient
	Magnetic holding power, insufficient
	The GFCI personal protection switch (*) is switched on, the indication light lights up red.
	The GFCI personal protection switch (*) is switched off, the indication light is off.
	Fluid supply open.
	Fluid supply closed.
	Start drill motor. Rotation direction: clockwise
	Stop motor
	Start drill motor. Rotation direction: clockwise

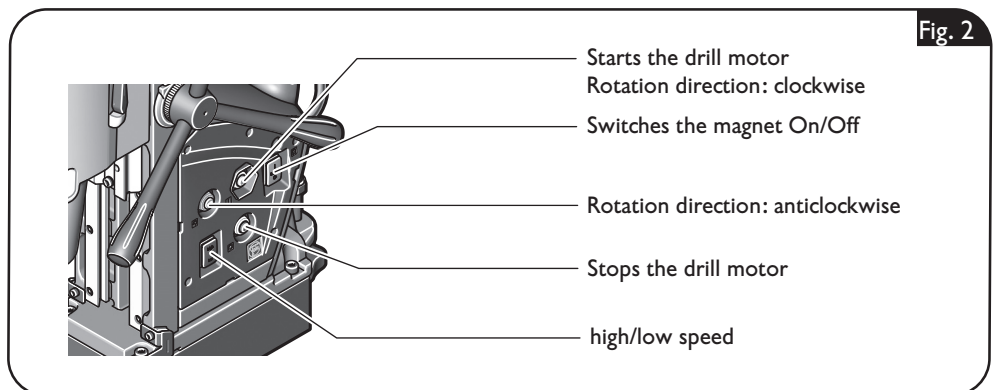
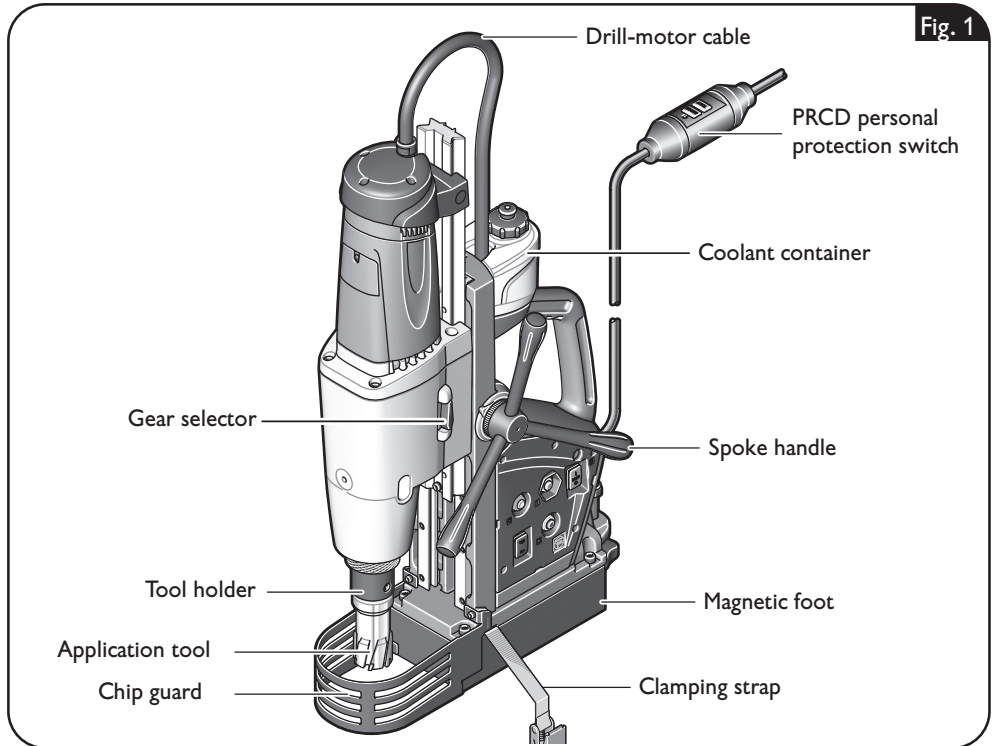
Symbol, character	Explanation
	Starts the drill motor. Rotation direction: counterclockwise
	Stop motor
	Switches the magnet On/Off
	High/low speed
	Product with basic insulation and exposed, conductive parts additionally connected to the ground conductor.
(**)	may contain numbers and letters

Character	Unit of measurement, national	Explanation
$n_0$	rpm; /min; $\text{min}^{-1}$ ; r/min	No-load speed
$P$	W	Electrical power
	°	Angle width
$U$	V	Electric voltage
$f$	Hz	Frequency
$I$	A	Electric current intensity
$m$	lbs	Mass
$l$	ft, in	Length, width, height, depth, diameter or thread
$\varnothing$	ft, in	Diameter of a round part
$K...$		Uncertainty
$a$	$\text{m/s}^2$	Vibrational emission value according to EN 62841 (vector sum of three directions)
	m, s, kg, A, mm, V, W, Hz, N, °C, dB, min, $\text{m/s}^2$	Basic and derived units of measurement from the international system of units <b>SI</b> .

## Technical description and specifications.

**⚠ WARNING** Before mounting or replacing cutting tool or accessories, pull the power plug. This preventive safety measure rules out the danger of injuries through accidental starting of the power tool.

Not all accessories described or shown in this instruction manual will be included with your power tool.



Type	JMU 404(**)
Order number	7 270 ... / 7 273 ...
Current consumption	15.0 A
1. gear, high speed	190 /min
1. gear, low speed	100 /min
2. gear, high speed	290 /min
2. gear, low speed	160 /min
3. gear, high speed	500 /min
3. gear, low speed	270 /min
4. gear, high speed	750 /min
4. gear, low speed	420 /min
Drilling capacity in steel - TCT (core drill bit)	1/2 in – 4 in 12 mm – 100 mm
Drilling capacity in steel - high speed steel (HSS) (core drill bit)	1/2 in – 3 1/8 in 12 mm – 80 mm
Drilling capacity in steel - high speed steel (HSS) (twist drill bit)	1 9/16 in 40 mm
Tapped hole	1 3/8 in
Reamer diameter	1 3/8 in 36 mm
Counterboring diameter	2 3/8 in 60 mm
Weight according to EPTA-Procedure 01	86.0 lbs / 79.4 lbs (39.0 kg) / (36.0 kg)
Class of protection	I
Allowable ambient temperature	23°F ... 104°F -5°C ... +40°C

## Assembly instructions.

**WARNING**

**Before mounting or replacing cutting tool or accessories, pull the power plug.** This preventive safety measure rules out the danger of injuries through accidental starting of the power tool.

### Filling the coolant container.

**WARNING**

Prevent the flow of liquid along the cable into the socket outlet or into the core drill unit, as this can lead to electric shock. Tie a bow in the cable near the plug, so that any liquid can drip off.

Do not use the magnetic core drill unit when the cooling-lubricant system is defective. **Each time before operating**, check for tightness against leaks and for cracks in the hoses. Prevent liquids from entering or penetrating electrical components.

Only use a coolant-lubricant emulsion (**oil in water**) as the cooling agent.

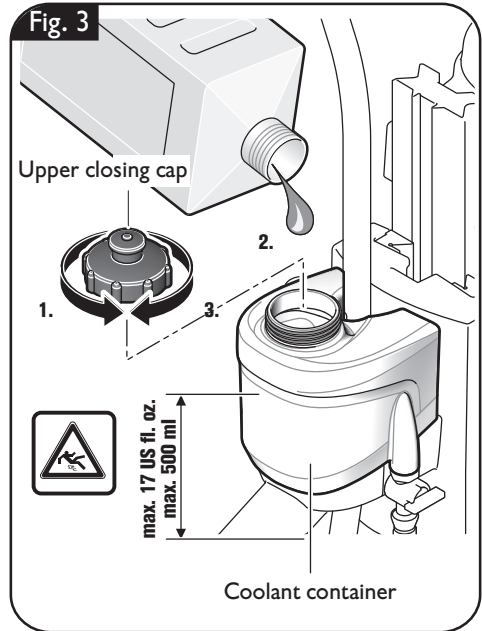
Observe the manufacturer's instructions on coolant.

### Filling the mounted coolant container (figure 3)

Unscrew the cap from the coolant container.

Fill in pump-feedable cooling lubricant, e.g. Slugger cutting oil.

Screw the cap onto the coolant container again.



### Filling the dismantled coolant container (figure 4)

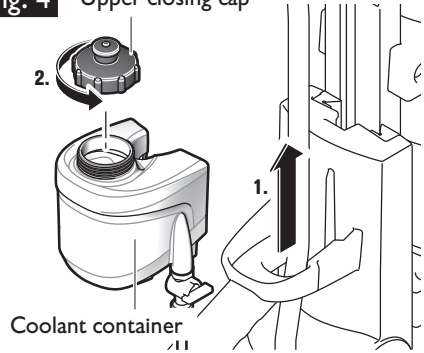
Pull the empty coolant container out of the drill stand housing of the magnetic core drill. Unscrew the cap from the coolant container.

Fill in pump-feedable cooling lubricant, e.g. Slugger cutting oil.

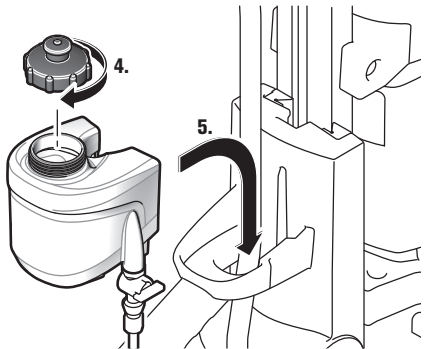
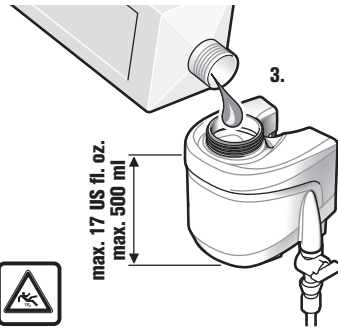
Screw the cap onto the coolant container again.

Insert the filled coolant container into the holder on the drill stand housing intended for this purpose.

Fig. 4 Upper closing cap

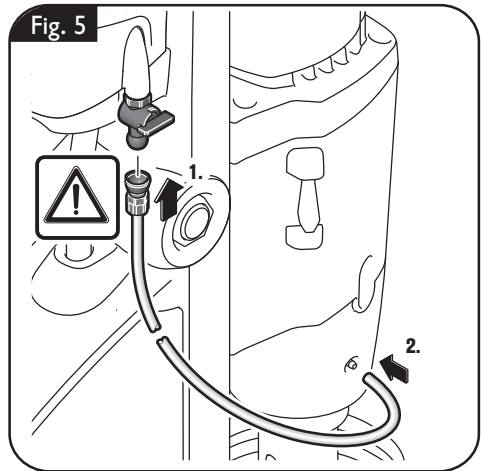


Coolant container



## Mounting the coolant hose (figure 5).

Connect the coolant hose.



## Tool changing.

**⚠ WARNING** Always secure the power tool with the supplied clamping strap. In case of a power failure or when the power plug is pulled, the magnetic holding power is not maintained.

**⚠ WARNING** Switch the machine off and pull the power plug before mounting or replacing application tools and accessories (not overhead!). This preventive safety measure rules out the danger of injuries through accidental starting of the power tool.

### Core drill bit (figure 6)

Loosen both screws of the tool holder using the hex key.

Insert the pilot pin into the cutter.

Insert the cutter with the pilot pin into the tool holder.

Tighten both screws of the tool holder onto the flats on the cutting tool using the hex key.

When core drilling with 100 mm core bit length, replace the 200 mm centering pin with the 135 mm centering pin after a drilling depth of approx. 60 mm.

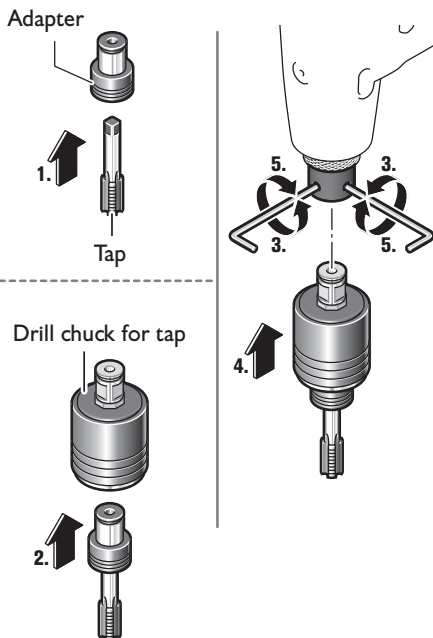
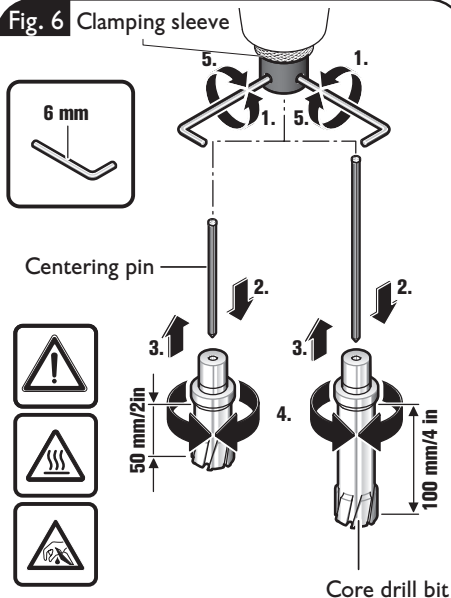
**Do not touch the sharp edges of the core drill bit.** Danger of injury.

### Tap size (figure 6)

Loosen both screws of the tool holder using the hex key.

Position the tap into the adapter and the adapter into the chuck for the tap.

Tighten both screws of the tool holder onto the flats on the cutting tool using the hex key.





### Drill chuck (figure 7)

Loosen both screws of the tool holder using the hex key.

Insert the drill chuck into the tool holder.

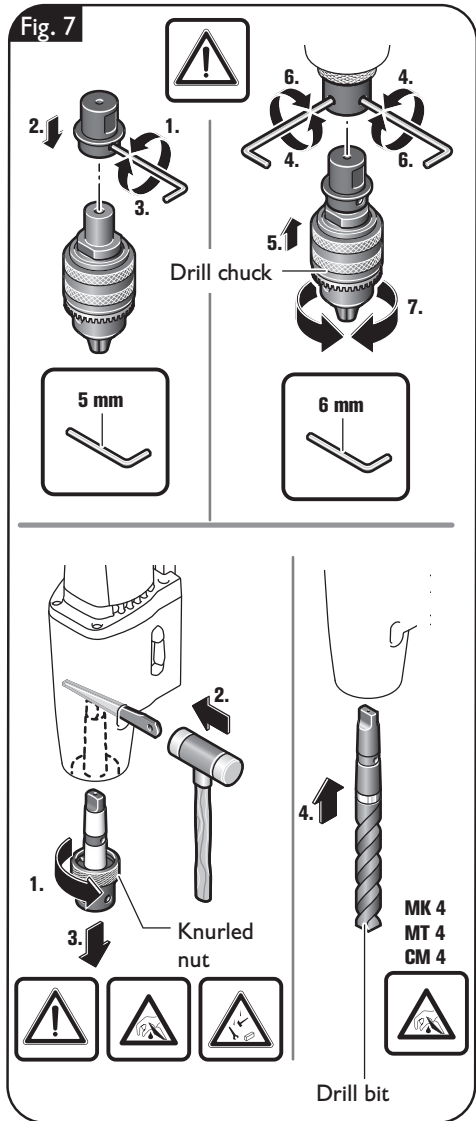
Tighten the two screws of the tool holder against the surfaces on the shank of the drill chuck using the hex key.

### Drill bit (figure 7)

The knurled nut has a left-hand thread; turn clockwise to release!

Loosen the knurled nut and remove the tool holder by applying a hammer blow to the positioned drift.

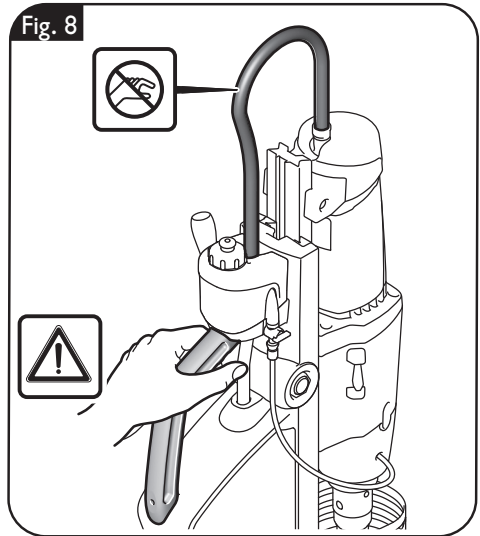
Clean the inside cone of the output shaft and insert the drill bit.



## Working instructions.

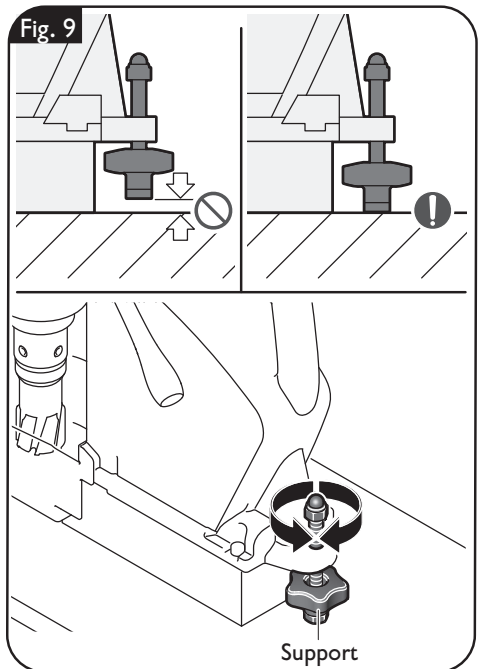
**⚠ WARNING** Always secure the power tool with the supplied clamping strap. In case of a power failure or when the power plug is pulled, the magnetic holding power is not maintained.

⚠ Always carry the power tool by its handle, not by the drill-motor cable.



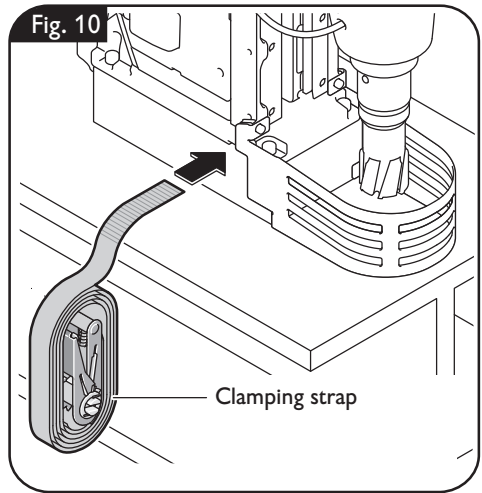
### Support (figure 9).

Use the support when core drilling. During core drilling, the magnetic core drill unit can tip over due to kickback. The support provides for stable positioning.



## Fastening the safety strap (figure 10)

Always secure the power tool to the work-piece with the supplied clamping strap.



## For switching the magnet ON (figure 11).

Pay attention that the set-up surface for the magnetic foot is flat, clean, rust-free and ice-free. Remove varnish, putty/filler layers and other materials. Prevent an air gap between the magnetic foot and the set-up surface. The air gap reduces the magnetic holding power.

Do not operate this machine on hot surfaces; it could lead to a permanent reduction of the magnetic holding power.

When working, always use the magnetic foot; pay attention that the magnetic holding power is sufficient:

- When the green signal lamp lights up permanently, the magnetic holding power possibly is sufficient and the machine can be operated with **normal feed**.
- When the green signal lamp flashes, the magnetic holding power possibly is insufficient and the machine must be operated with **reduced feed**.

When working on steel materials with a material thickness of less than 12 mm /  $1/2$  in, the workpiece must be reinforced with an additional steel plate in order to guarantee the magnetic holding power.

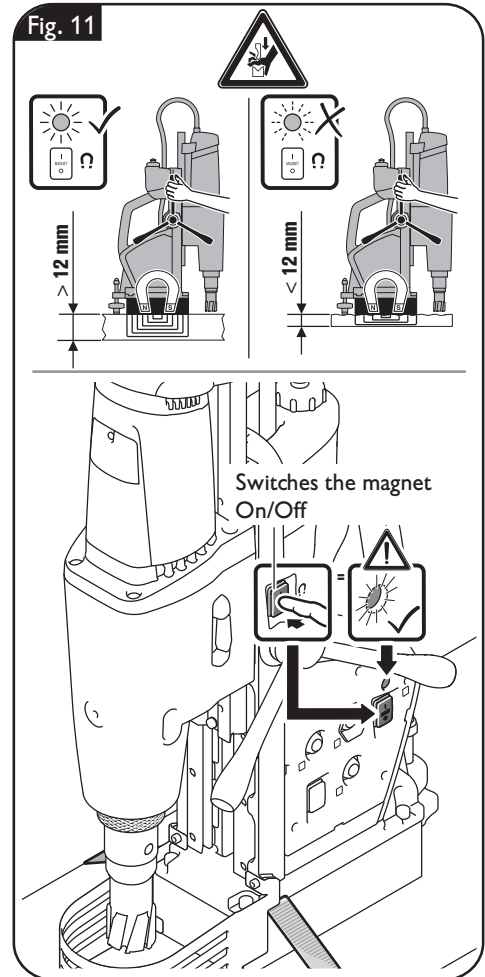
Work only with the absolutely required amount of feed. Excessive feed can lead to breakage of the application tool and loss of the magnetic holding power.

When the power supply is disconnected while the motor is running, the electronics prevent automatic restarting of the motor. Restart the motor again. Adjust the gear setting only when the machine is at a complete stop or when the motor is running down. Do not stop the drill motor during the drilling procedure. Remove the core drill bit from the drill hole only while the drill motor is running. If the core drill bit gets jammed/stuck in the material, stop the drill motor and carefully rotate out the core drill bit turning in counterclockwise direction.

After each drilling run, remove the chips and the drilled out core. Do not touch the chips with your bare hands. Always use a chip hook. Danger of burning! The surface of the magnet can reach high temperatures. Do not touch the magnet with your bare hands.

When changing a drill bit, pay attention not to damage the cutting edges.

When core-drilling layered material, remove the core and the chips after having drilled through each layer. Do not use the magnetic core drill unit when the cooling-lubricant system is defective. Check for tightness against leaks and for cracks in the hoses. Prevent liquids from entering or penetrating electrical components.

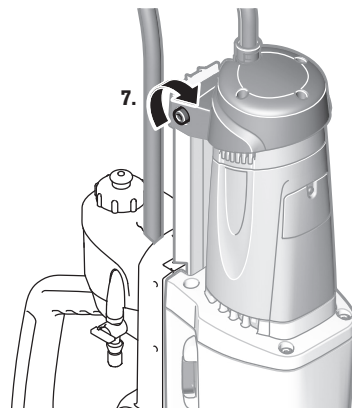
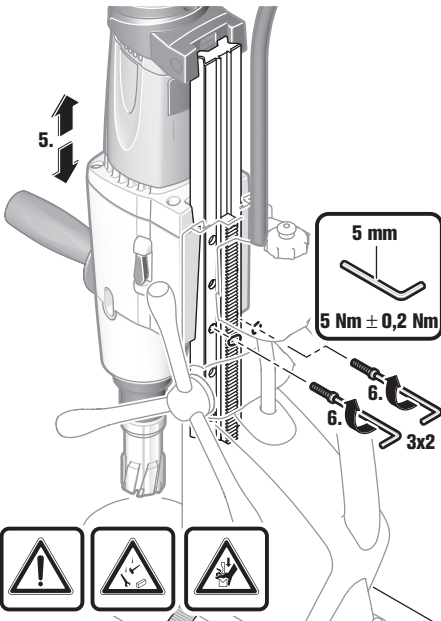
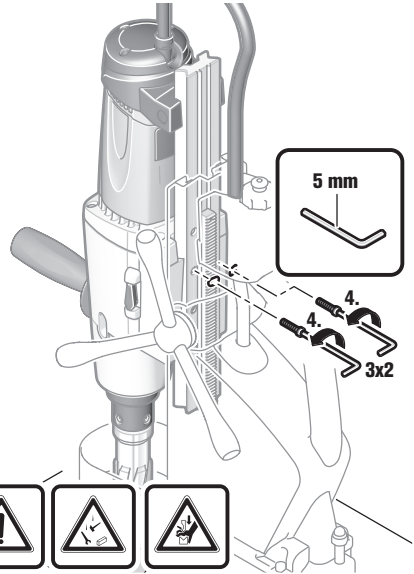
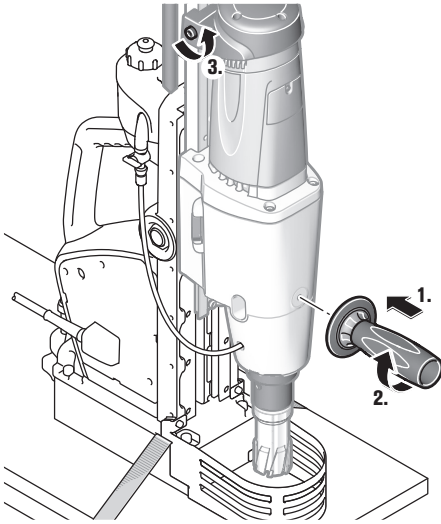


## Adjusting the stroke range (figure 12).



Mounting the handle and loosen the upper screw.  
Remove the screws in the center using a hex key.

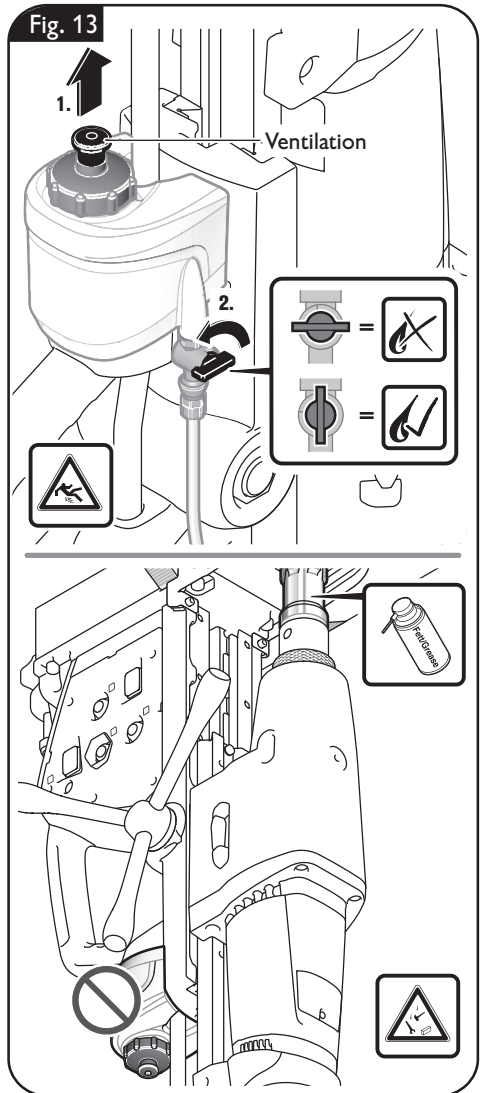
Adjust the stroke to your desired working position and tighten the screws again.  
Retighten the upper screw.

Fig. 12



## Activating and deactivating the cool-ant-lubricant flow (figure 13).

-  To activate the cooling-lubricant flow, open the ventilation first and then turn the flow valve to the position shown.
-  For switching off or when working overhead, deactivate the cooling-lubricant flow. Shut the ventilation and turn the flow valve to the position shown. When working overhead, use a cooling-lubricant paste from Slugger.



## **GFCI personal protection switch (\*) (figure 14).**

The GFCI personal protection switch is specifically for your protection; therefore, do **not** misuse it as an On/Off switch.

If the GFCI personal protection switch is damaged, e.g. due to contact with water, do not use it any more.

The GFCI personal protection switch is indispensable; it is used for protection of the power tool operator against electric shock. Under fault-free operation, the control lamp of the GFCI personal protection switch lights up red.

Check the operability of the GFCI personal protection switch before beginning to work:

1. Connect the plug of the GFCI personal protection switch with the mains socket outlet.
2. Press the RESET-button. The indication light on the GFCI personal protection switch lights up red.
3. Disconnect the plug from the socket outlet. The red indication light goes out.
4. Repeat steps 1. and 2.
5. Press the TEST-button; the red indication light goes out. If the red indication light does not go out, do not run the machine. In this case, contact the customer service.
6. Press the RESET-button; when the indication light lights up red, the machine can now be switched on.

**Do not use the GFCI personal protection switch for switching the power tool on and off.**

Fig. 14



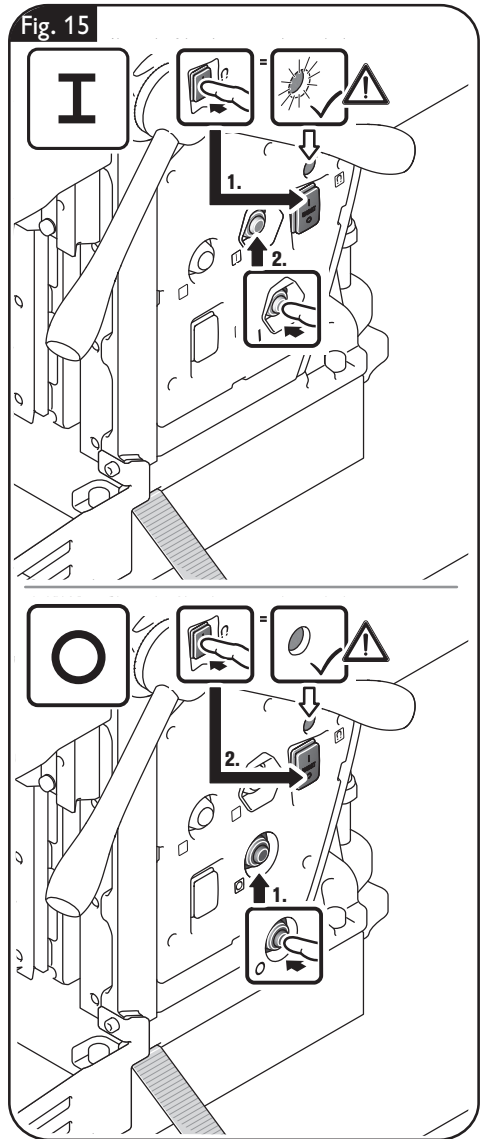
**Switching on and off (figure 15).**

Activate the magnet before switching on.  
Press the magnet switch for this.

Switch the machine on with the desired  
operating process.


Switch the machine off after the work.



After switching off, deactivate the magnet.  
Press the magnet switch for this.

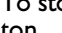




## Starting and stopping the drill motor (figure 16).

To start the drive motor with clockwise rotation, press the button with the symbol “”.

To start the motor with counterclockwise rotation, press the buttons with the “ and ”.

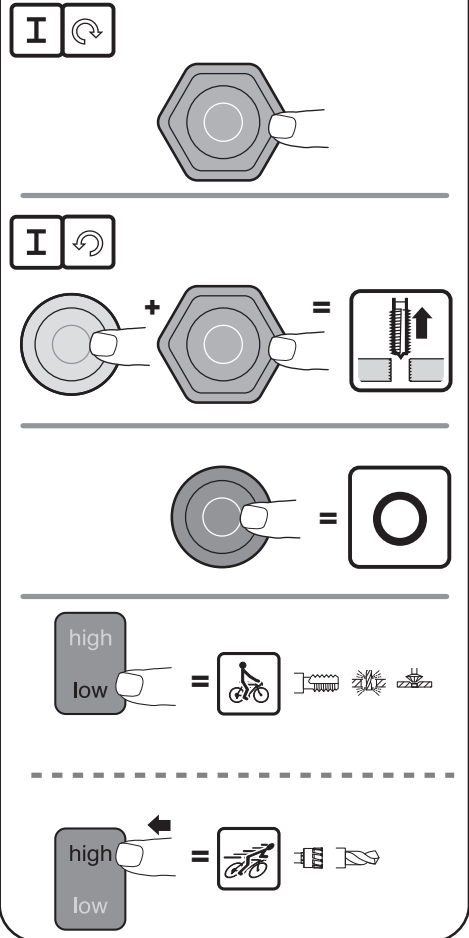
To stop the drill motor, press the “” button.

Do not stop the drill motor during the drilling procedure.

When the power supply is disconnected while the motor is running, the electronics prevent automatic restarting of the drive motor. Restart the drive motor again.

**In case of overload, the drill motor automatically stops and must be restarted again.**

Fig. 16



## Switching the gear setting (figure 17).

With the gear switch, you can select the speed and thus the torque.

Adjust the gear setting only when the machine is at a complete stop or when the motor is running down.

There is a gear switch each on the right and left side of the machine.

To switch over, turn the switches 90° out of the recess. In this position, move the switches to the stop. Then, turn the switches back into the recess.

**1st gear:** Turn both switches so that they point away from the dots. This gear is suitable for working at low speed and high torque. This setting is suitable for drilling with large diameters, for tapping and reaming.

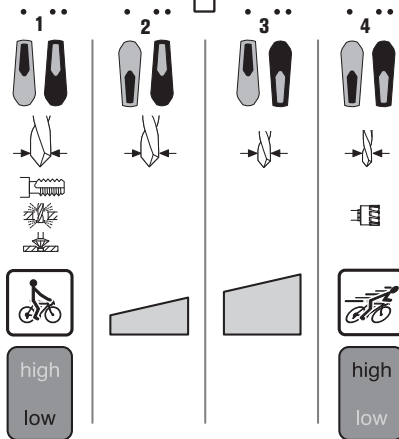
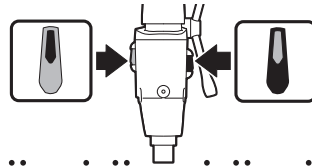
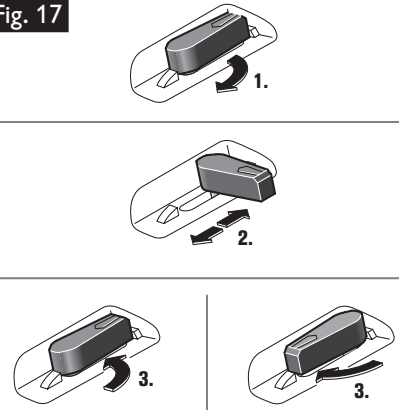
**2nd gear:** Turn the left switch so that it points toward the dot and the right switch so that it points away from the two dots.

**3rd gear:** Turn the left switch so that it points away from the dot and the right switch so that it points toward the two dots.

**4th gear:** Turn both switches so that they point toward the dots. This gear is suitable for working at high speed and low torque. Thus, the gear is suitable for small drill diameters.

In all gears, the speed can be switched to “low” or “high”.

Fig. 17

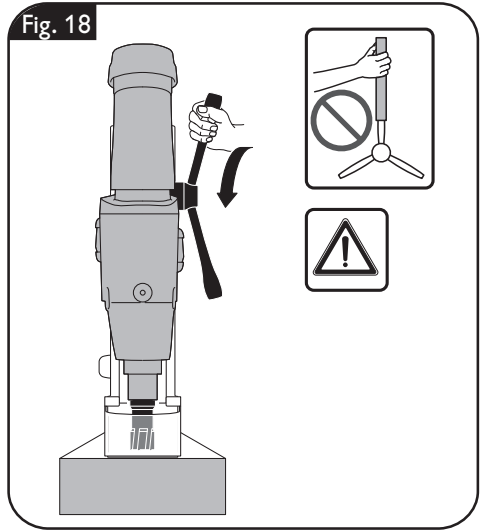


	Ø in				rpm / load	Fe 400
	120	170	300	430		
high	$3/8-4$	$2 3/4-3 1/16$	$1 9/16-2 1/16$	$1/2-1 1/2$	HM Carbide	HM Carbide HSS HSS
	$2 3/8-3 1/8$	$1 9/16-2 5/16$	$1 1/4-1 1/2$	$1/2-1 3/16$		
	$1 1/4-1 9/16$	$1 3/8-1 9/16$	$5/8-7/8$	$3/8-9/16$		
low	rpm / load					
	60	90	150	230		
	$1 1/8-1 3/8$	$1 3/16-1$	$9/16-3/4$	$5/16-1/2$		
	$1 1/8-1 1/16$	$3/4-1 1/16$	$1/2-1 1/16$	$5/16-7/16$		
	$1 1/16-2 3/8$	$7/8-1 3/8$	$5/8-1 3/16$	$3/8-9/16$		

### Feed (figure 18).

Work only with the absolutely required amount of feed. Excessive feed can lead to breakage of the application tool and loss of the magnetic holding power.

To generate feed, turn the spoke handle manually while the drill motor is switched on.



## Instructions for core drilling.

Only remove the cutting tool from the hole while the motor is running.

If the carbide tipped cutter should remain stuck in the material, stop the drill motor and carefully turn the carbide tipped cutter out counterclockwise.

After each drilling operation, remove the chips and the slug.

❗ Do not touch the chips with your bare hands. Always use a chip hook (6 42 01 001 00 0).

**⚠ CAUTION** Danger of burns! The surface of the magnet can reach high temperatures. Do not touch the magnet with your bare hands.

For core drilling in layered material, use a suitable Slugger ID cutter.

When changing a cutting tool, pay attention not to damage the cutting edges.

When core drilling layered material, remove the core and the chips after having drilled through each layer.

Error message/ Response of magnet signal lamp	Meaning	Corrective action
Indicator lights up green	Magnetic holding power possibly sufficient.	
Indicator flashes (1 Hz)	Magnetic holding power possibly insufficient.	Even when working on steel materials where the material thickness is below 12 mm, the workpiece must be made thicker with an additional steel plate in order to ensure the magnetic holding power.
Indicator flashes (5 Hz)	<ul style="list-style-type: none"> <li>- Magnet defective</li> <li>- Incorrect mains voltage</li> <li>- Motor temperature too high</li> </ul>	<ul style="list-style-type: none"> <li>- Repair magnet</li> <li>- Ensure correct mains voltage</li> <li>- Allow motor to cool down</li> </ul>

## Overload temperature

Temperature range	Meaning
Temperature > Tg1	Cooling speed very low, without cooling capacity
Temperature < Tg1	Motor switches off and can be restarted
Temperature > Tg2	Motor switches off, indicator flashes at 5 Hz; Motor must cool down below Tg2 before restarting is possible
Temperature between Tg1 and Tg2	Cooling speed without cooling capacity
Tg1, Tg2: Limit temperatures	

If only reduced power is available when the motor is started in LOW, the temperature sensor is defective. If this occurs several times, contact the customer service.

## Repair and customer service.

**⚠ WARNING** Before mounting or replacing cutting tool or accessories, pull the power plug. This preventive safety measure rules out the danger of injuries through accidental starting of the power tool.

### Exchangeable parts

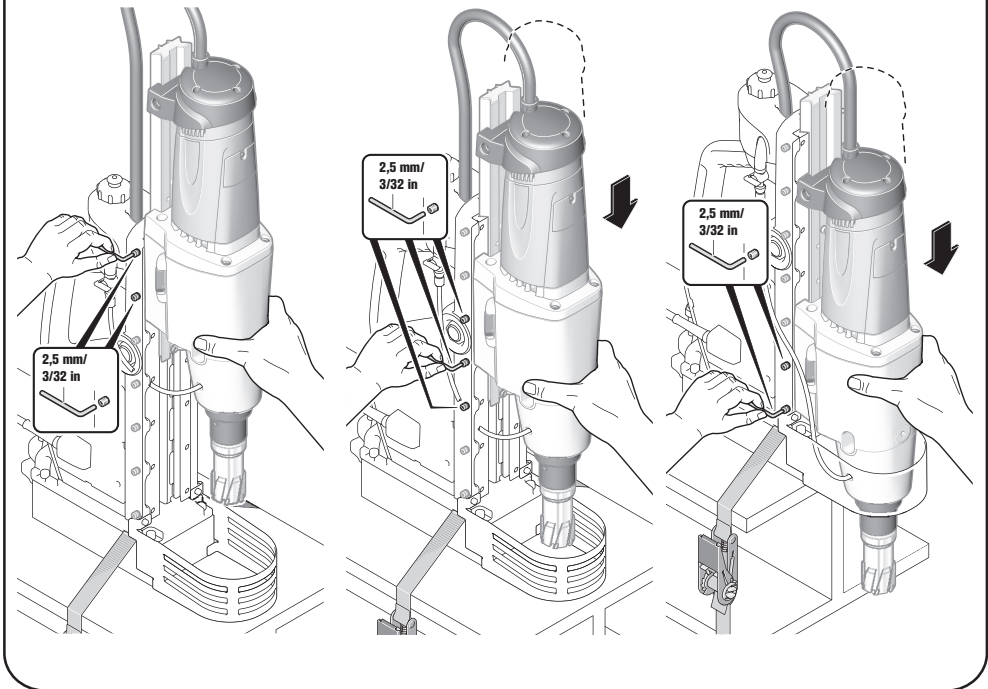
If required, you can change the following parts yourself:

Application tools, coolant container, contact protector

### Drill-motor guide (figure 19).

After several hours of operation, the play in the drill-motor guide can increase. As a consequence, the drill motor can glide alongside the drill-motor guide by itself. Malfunctions are possible in machine operation. In this case, retighten all fastening screws of the drill-motor guide correspondingly so that the drill motor can easily be moved manually, yet does not glide by itself.

Fig. 19



## Service.

**⚠ WARNING** Have maintenance carried out only through qualified personnel. Incorrectly mounted cables and components can cause serious injuries.

Have the required service carried out only through an authorized Slugger repair facility.

**⚠ CAUTION** When replacing the power tool's protective cable bushing or cord between the drill stand and drill motor is required, this must be carried out by Slugger or by an authorized Slugger Service Agent, in order to avoid hazardous situations.

Use only original spare parts.

The current spare parts list for this power tool can be found in the Internet at [www.fein.com](http://www.fein.com).

## Cleaning.

**⚠ WARNING** Prior to any cleaning or maintenance, disconnect the power tool from the power supply in order to avoid accidents.

**⚠ WARNING** When using in environments with conductive dust in the air, such as when working metals, this dust can settle in the interior of the power tool. Therefore, regularly blow out the interior of the power tool from outside via the ventilation openings with dry, oil-free compressed air; always wear eye protection when doing this.

**⚠ CAUTION** Do not attempt to clean clogged or dirty ventilation openings of the power tool with pointed metal objects; use nonmetal tools or objects if necessary.

**⚠ CAUTION** Do not use cleaning agents and solvents that can cause damage to plastic parts. These include: Gasoline, carbon tetrachloride, chloric solvents, ammonia and domestic cleaning agents that contain ammonia.

Renew stickers and warning indications on the power tool when aged and worn.

### Cooling-lubricant system.

Flush the cooling-lubricant system with water, clean and drain it completely when not using the machine for periods longer than two weeks.

## Warranty and liability.

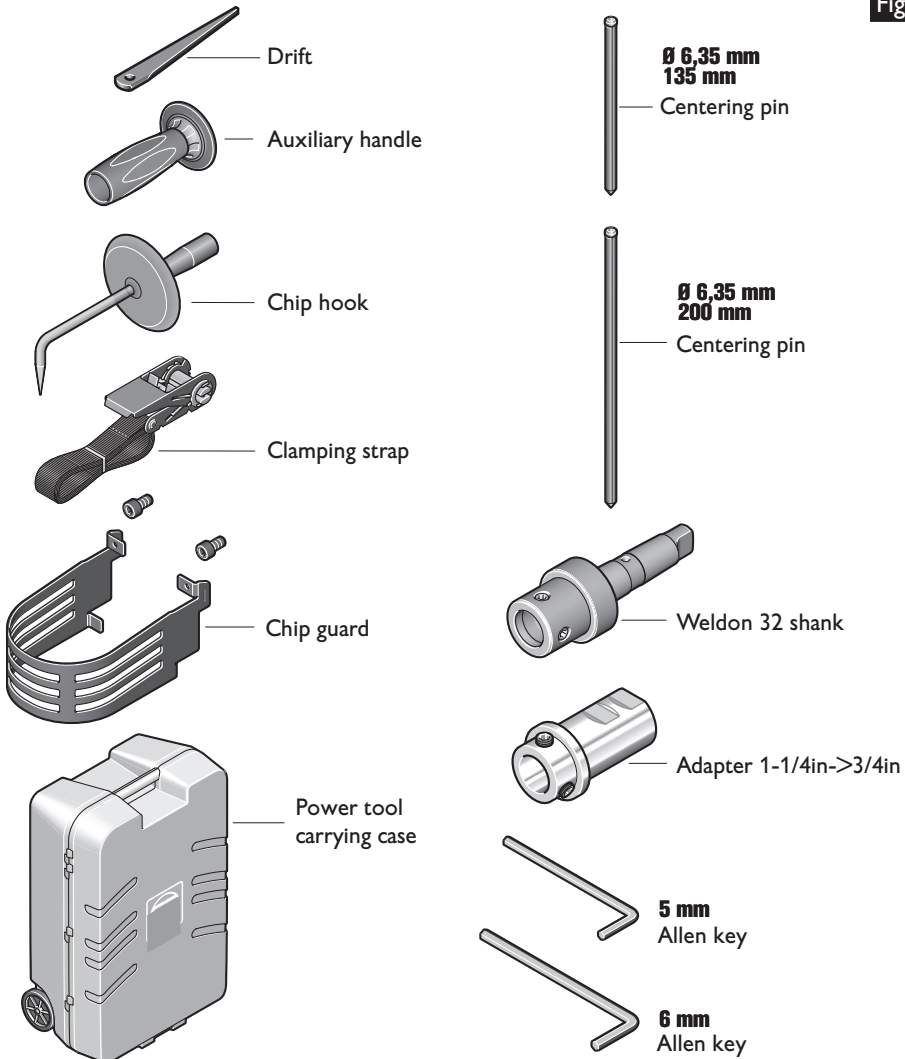
The warranty for the product is valid in accordance with the legal regulations in the country where it is marketed.

## Environmental protection, disposal.

Sort scrapped power tools and accessories for environmental-friendly recycling. For further information, please contact your specialist shop.

## Provided accessories (figure 20).

Fig. 20




## Pour votre sécurité.

### **AVERTISSEMENT** Lire tous les avertissements de sécurité et

toutes les instructions. Ne pas suivre les avertissements et instructions peut donner lieu à une électrocution, un incendie et/ou une blessure sérieuse.

**Conservez tous les avertissements et toutes les instructions pour pouvoir vous y reporter ultérieurement.**

 Ne pas utiliser cet outil électrique avant d'avoir soigneusement lu et parfaitement compris cette notice d'utilisation y compris les figures, les spécifications, les consignes de sécurité ainsi que les indications marquées par DANGER, AVERTISSEMENT et ATTENTION.

N'utiliser cet outil électrique que pour les travaux pour lesquels il a été conçu par le fabricant. N'utiliser que des outils de travail et accessoires autorisés par le fabricant.

De même, respecter les dispositions concernant la prévention des accidents du travail en vigueur dans le pays en question.

Le non-respect des instructions de sécurité se trouvant dans la documentation mentionnée peut entraîner un choc électrique, un incendie et/ou de graves blessures.

Bien garder cette notice d'utilisation en vue d'une utilisation ultérieure ; elle doit être jointe à l'appareil en cas de transmission ou de vente à une tierce personne.

**GARDER SOIGNEUSEMENT CES INSTRUCTIONS DE SÉCURITÉ.**

Le terme « outil électrique » dans les consignes de sécurité fait référence à votre outil électrique alimenté par le secteur (avec cordon d'alimentation) ou votre outil fonctionnant sur batterie (sans cordon d'alimentation).

## Instructions générales de sécurité.

### 1) Sécurité de la zone de travail

**a) Conserver la zone de travail propre et bien éclairée.** Les zones en désordre ou sombres sont propices aux accidents.

**b) Ne pas faire fonctionner les outils électriques en atmosphère explosive, par exemple en présence de liquides inflammables, de gaz ou de poussières.** Les outils électriques produisent des étincelles qui peuvent enflammer les poussières ou les fumées.

**c) Maintenir les enfants et les personnes présentes à l'écart pendant l'utilisation de l'outil.** Les distractions peuvent vous faire perdre le contrôle de l'outil.

### 2) Sécurité électrique

**a) Il faut que les fiches de l'outil électrique soient adaptées au socle. Ne jamais modifier la fiche de quelque façon que ce soit. Ne pas utiliser d'adaptateurs avec des outils à branchement de terre.** Des fiches non modifiées et des socles adaptés réduiront le risque de choc électrique.

**b) Éviter tout contact du corps avec des surfaces reliées à la terre telles que les tuyaux, les radiateurs, les cuisinières et les réfrigérateurs.** Il existe un risque accru de choc électrique si votre corps est relié à la terre.

**c) Ne pas exposer les outils à la pluie ou à des conditions humides.** La pénétration d'eau à l'intérieur d'un outil augmentera le risque de choc électrique.

**d) Ne pas maltraiter le cordon. Ne jamais utiliser le cordon pour porter, tirer ou débrancher l'outil. Maintenir le cordon à l'écart de la chaleur, du lubrifiant, des arêtes ou des parties en mouvement.** Des cordons endommagés ou emmêlés augmentent le risque de choc électrique.

**e) Lorsqu'on utilise un outil à l'extérieur, utiliser un prolongateur adapté à l'utilisation extérieure.** L'utilisation d'un cordon adapté à l'utilisation extérieure réduit le risque de choc électrique.

**f) Si l'usage d'un outil dans un emplacement humide est inévitable, utiliser une alimentation protégée par un dispositif à courant différentiel résiduel (RCD).** L'usage d'un RCD réduit le risque de choc électrique.



### 3) Sécurité des personnes

**a) Rester vigilant, regarder ce que vous êtes en train de faire et faire preuve de bon sens dans votre utilisation de l'outil. Ne pas utiliser un outil lorsque vous êtes fatigué ou sous l'emprise de drogues, d'alcool ou de médicaments.**

Un moment d'inattention en cours d'utilisation d'un outil peut entraîner des blessures graves des personnes.

**b) Utiliser un équipement de sécurité.**

**Toujours porter une protection pour les yeux.** Les équipements de sécurité tels que les masques contre les poussières, les chaussures de sécurité antidérapantes, les casques ou les protections acoustiques utilisés pour les conditions appropriées réduiront les blessures de personnes.

**c) Éviter tout démarrage intempestif. S'assurer que l'interrupteur est en position arrêt avant de brancher l'outil au secteur et/ou au bloc de batteries, de le ramasser ou de le porter.** Porter les outils en ayant le doigt sur l'interrupteur ou brancher des outils dont l'interrupteur est en position marche est source d'accidents.

**d) Retirer toute clé de réglage avant de mettre l'outil en marche.** Une clé laissée fixée sur une partie tournante de l'outil peut donner lieu à des blessures de personnes.

**e) Ne pas se précipiter. Garder une position et un équilibre adaptés à tout moment.** Cela permet un meilleur contrôle de l'outil dans des situations inattendues.

**f) S'habiller de manière appropriée. Ne pas porter des vêtements amples ou des bijoux. Garder les cheveux et les vêtements à distance des parties en mouvement.** Des vêtements amples, des bijoux ou les cheveux longs peuvent être pris dans des parties en mouvement.

**g) Si des dispositifs sont fournis pour le raccordement d'équipements pour l'extraction et la récupération des poussières, s'assurer qu'ils sont connectés et correctement utilisés.**

Utiliser des collecteurs de poussière peut réduire les risques dus aux poussières.

**h) Ne pas faire confiance à la familiarité saisie par l'utilisation fréquente d'outils: ne pas devenir négligents et ne pas ignorer les avertissements de sécurité applicables à l'outil.** Une action effectuée d'une manière négligente peut causer des blessures graves en une fraction de seconde.

### 4) Utilisation et entretien de l'outil

**a) Ne pas forcer l'outil. Utiliser l'outil adapté à votre application.** L'outil adapté réalisera mieux le travail et de manière plus sûre au régime pour lequel il a été construit.

**b) Ne pas utiliser l'outil si l'interrupteur ne permet pas de passer de l'état de marche à arrêt et vice versa.** Tout outil qui ne peut pas être commandé par l'interrupteur est dangereux et il faut le réparer.

**c) Toujours débrancher la fiche de la source d'alimentation en courant et/ou enlever la batterie rechargeable avant toute opération de réglage, remplacement d'accessoires ou avant de ranger l'outil.** Ces mesures de sécurité préventives réduiront le risque de démarrage accidentel de l'outil.

**d) Conserver les outils à l'arrêt hors de la portée des enfants et ne pas permettre à des personnes ne connaissant pas l'outil ou les présentes instructions de le faire fonctionner.** Les outils sont dangereux entre les mains d'utilisateurs novices.

**e) Observer la maintenance de l'outil électrique et des accessoires. Vérifier que les parties mobiles soient parfaitement alignées, qu'elles ne soient pas bloquées et qu'aucune pièce cassée ou toute autre condition pouvant limiter le fonctionnement de l'outil électrique ne soit présente. En cas de dommages, faire réparer l'outil avant de l'utiliser.** De nombreux accidents sont dus à des outils électriques mal entretenus.

- f) Garder affûtés et propres les outils permettant de couper.** Des outils destinés à couper correctement entretenus avec des pièces coupantes tranchantes sont moins susceptibles de bloquer et sont plus faciles à contrôler.
- g) Utiliser l'outil, les accessoires et les lames etc., conformément à ces instructions, en tenant compte des conditions de travail et du travail à réaliser.** L'utilisation de l'outil pour des opérations différentes de celles prévues pourrait donner lieu à des situations dangereuses.

**h) Garder les poignées et les surfaces de prise sèches, propres et sans huiles et graisses.** Des poignées et des surfaces de prise glissantes ne permettent pas leur utilisation en sécurité et le contrôle de l'outil électrique en des situations imprévues.

## 5) Maintenance et entretien

**a) Faire entretenir l'outil par un réparateur qualifié utilisant uniquement des pièces de rechange identiques.** Cela assurera que la sécurité de l'outil est maintenue.

## Consignes de sécurité

**Lorsque vous effectuez des opérations de perçage qui nécessitent l'utilisation d'un fluide, maintenez le fluide éloigné de la zone de travail ou utilisez un dispositif collecteur de fluide.** De telles précautions permettent de garder sèche la zone de travail et de réduire les risques d'électrocution.

**Lors de l'exécution de travaux pendant lesquels l'outil de coupe pourrait entrer en contact avec des conducteurs cachés ou avec son propre câble d'alimentation, n'utilisez l'outil électrique qu'en le tenant par les poignées isolées.** Lorsqu'un outil coupant entre en contact avec un fil sous tension, une mise sous tension des pièces métalliques de l'outil électrique peut survenir et provoquer un choc électrique.

**Porter une protection acoustique lors du perçage.** Une forte exposition au bruit peut provoquer une perte d'audition.

**Au cas où l'outil électrique se bloque, ne plus exercer d'avance et éteindre l'outil électrique.** Contrôler la raison du blocage et éliminer la cause provoquant le coincement d'accessoires.

**Si vous voulez redémarrer une unité de perçage qui se trouve dans une pièce à travailler, vérifier avant de la mettre en marche si l'accessoire peut tourner librement.** Un accessoire coincé ne tournera probablement pas : ceci surchargera la machine ou provoquera le détachement de l'unité de perçage de la pièce à travailler.

**Lors d'opérations de perçage à travers un mur ou un plafond, veiller à ce que les personnes et la zone de travail se trouvant de l'autre côté du perçage soient protégées.** La couronne peut dépasser le trou et la carotte peut tomber de l'autre côté.

**Ne pas utiliser cet outil pour un perçage par-dessus la tête avec alimentation en liquide.** La pénétration de liquide dans l'outil électrique augmente le risque de choc électrique.

**En cas d'endommagement, faites remplacer immédiatement la gaine de protection du câble.** Une gaine de protection de câble défectueuse peut provoquer une surchauffe de l'outil.

## Instructions particulières de sécurité.

**Toujours porter un équipement de protection. En fonction de l'application, porter un écran facial ou des lunettes de sécurité. Utiliser une protection auditive.** Les lunettes de sécurité doivent pouvoir protéger les yeux contre les particules projetées lors de toutes sortes de travaux. Une exposition permanente au bruit intense peut provoquer une perte d'audition.

**Ne touchez pas les bords aigus de la fraise à carotter.** Danger de blessure.

**Pour éviter des blessures, contrôler les fraises à carotter avant tout travail. N'utiliser que des fraises à carotter en parfait état qui ne sont pas déformées.** Les fraises à carotter endommagées ou déformées peuvent entraîner des blessures graves.

**Avant la première mise en service : Monter le protège-main sur la machine.**

**Sécuriser l'outil électrique uniquement avec la sangle livrée avec.** Lors des travaux, veiller à toujours se protéger contre les objets tombants tels que carottes et copeaux.

**Effectuez les travaux sur les éléments de construction verticaux ou au-dessus de la tête sans utiliser le réservoir du liquide de refroidissement.** Utilisez un spray refroidissant. Les liquides qui entreraient dans l'outil électroportatif peuvent causer un choc électrique.

**Évitez de toucher la carotte qui est automatiquement éjectée par la goupille de centrage quand le travail est terminé.** Le contact avec la carotte brûlante ou qui tombe peut entraîner des blessures.

**N'utilisez l'outil électrique qu'avec des prises de courant de sécurité conformes à la législation. N'utilisez que des câbles de raccordement en parfait état et des rallonges régulièrement contrôlées.** Un conducteur de protection discontinu peut entraîner un choc électrique.

**Maintenir vos mains, vêtements, etc. toujours loin des copeaux en rotation pour éviter de vous blesser.** Les copeaux peuvent causer des blessures. Utilisez toujours le pare-copeaux.

**N'essayez pas d'enlever l'outil de travail tant qu'il est en rotation.** Ceci peut causer de blessures graves.

**Faites attention aux câbles électriques, conduites de gaz et d'eau éventuellement cachés.** Avant de commencer le travail, contrôlez la zone de travail à l'aide d'un détecteur de métaux par exemple.

**Ne pas travailler de matériaux contenant du magnésium.** Il y a risque d'incendie.  
**Ne pas travailler du PRFC (plastique à renfort fibre de carbone) et pas de matériaux contenant de l'amiante.** Ils sont considérés comme étant cancérogènes.

**Il est interdit de visser ou de riveter des plaques ou des repères sur l'outil électrique.** Une isolation endommagée ne présente aucune protection contre une électrocution. Utilisez des autocollants.

**Ne pas surcharger l'outil électrique ou le coffret de rangement et ne pas l'utiliser en tant qu'échelle ou échafaudage.** Surcharger ou se placer sur l'outil électrique ou le coffret de rangement peut causer le déplacement du centre de gravité de l'outil électrique ou du coffret de rangement vers le haut provoquant ainsi le renversement de ce dernier.

**N'utilisez pas des accessoires qui n'ont pas été spécialement conçus ou autorisés par le fabricant de l'outil électrique.** Le seul fait qu'un accessoire puisse être monté sur votre outil électrique ne garantit pas une utilisation sans risque.

**Nettoyez régulièrement les ouïes de ventilation de l'outil électrique avec des outils non métalliques.** La ventilation du moteur aspire la poussière à l'intérieur du carter. Une trop grande quantité de poussière de métal accumulée peut provoquer des incidents électriques.

**Pour le transport de l'outil, n'utilisez que des anneaux de levage à course libre. Après le montage des anneaux de levage, vérifiez qu'ils sont fermement serrés.**

**Avant la mise en service, assurez-vous que le câble de raccordement et la fiche sont en parfait état.**

**Toujours utiliser l'outil électrique avec un disjoncteur différentiel (\*) PRCD. Avant de commencer les travaux, contrôler le bon fonctionnement du disjoncteur différentiel (\*) PRCD (voir page 53).**

## Maniement de poussières nocives.

**⚠ AVERTISSEMENT** Lors du travail avec des outils, par ex. lors du ponçage, polissage, sciage ou d'autres opérations enlevant du matériau, des poussières sont générées qui peuvent être nocives pour la santé, auto-inflammables ou explosives.

Toucher ou aspirer certaines poussières peut causer des réactions allergiques et/ou des maladies respiratoires, un cancer, des malformations à la naissance ou autres anomalies de reproduction auprès de l'utilisateur ou de personnes se trouvant à proximité.

Quelques exemples de tels matériaux et des produits chimiques qu'ils contiennent dont l'usinage génère des poussières nocives :

- l'amiante et les matériaux contenant de l'amiante ;
- peintures contenant du plomb, certains bois tels que le bois de chêne et de hêtre ;
- minéraux et métal ;
- les particules de silicate contenues dans les briques, le béton et autres matériaux contenant de la roche ;
- les solvants contenus dans les vernis et peintures ;
- l'arsenic, le chrome et d'autres lasures ;
- produits pour la lutte contre les vermines sur la coque de bateaux et de bâtiments ;
- poussières d'aciers fins, poussières de métaux et poussières de métaux non-ferreux.

## Vibrations mains-bras.

**⚠ AVERTISSEMENT** Des vibrations mains-bras sont générées lors du travail avec cet outil électrique. Celles-ci peuvent entraîner des effets néfastes sur la santé.

**⚠ AVERTISSEMENT** La valeur réelle des vibrations lors de l'utilisation de l'outil électrique peut dévier des valeurs indiquées, en fonction de l'utilisation de l'outil électrique.

Pour minimiser la résorption indésirable de ces matériaux :

- Utilisez une aspiration adaptée à la poussière générée.
- Utilisez des équipements personnels de protection tels que par exemple un masque anti-poussière de la classe filtre P2.
- Veiller à bien aérer la zone de travail.

Le risque causé par le fait d'aspirer des poussières dans les poumons dépend de la fréquence à laquelle ces matériaux sont travaillés. Les matériaux contenant de l'amiante ne doivent être travaillés que par des personnes qualifiées.

**⚠ ATTENTION** Les poussières de bois et les poussières de métaux légers peuvent causer une auto-inflammation ou une explosion.

Des mélanges chauds de poussières de ponçage contenant des résidus de vernis, de polyuréthane ou de produits chimiques dans le sac à poussières ou dans le filtre de l'aspirateur peuvent s'enflammer dans certaines conditions telles que projection d'étincelles lors du ponçage de métaux, rayonnement solaire direct permanent ou température ambiante élevée. Pour prévenir ces conditions :

- Évitez la surchauffe des matériaux travaillés et de l'outil électrique.
- Videz à temps le bac de récupération des poussières.
- Respectez les indications de travail du fabricant du matériau.
- Respectez les règlements en vigueur aux matériaux à traiter.

**⚠ AVERTISSEMENT** Pour protéger l'opérateur, des mesures de sécurité doivent être déterminées sur la base de la sollicitation vibratoire estimée pendant l'utilisation effective.

L'amplitude d'oscillation indiquée dans ces instructions d'utilisation a été mesurée conformément à la norme EN 62841 et peut être utilisée pour une comparaison d'outils électriques. Elle est également appropriée pour une estimation préliminaire de la sollicitation vibratoire.

L'amplitude d'oscillation représente les utilisations principales de l'outil électroportatif. Si l'outil électrique est cependant utilisé pour d'autres applications, avec d'autres outils de travail ou avec un entretien non approprié, l'amplitude d'oscillation peut être différente. Ceci peut augmenter considérablement la sollicitation vibratoire pendant toute la durée de travail. Pour une estimation précise de la sollicitation vibratoire, il est recommandé de prendre aussi en considération les espaces de

temps pendant lesquels l'appareil est éteint ou en marche, mais pas vraiment utilisé. Ceci peut réduire considérablement la sollicitation vibratoire pendant toute la durée de travail. Déterminez des mesures de protection supplémentaires pour protéger l'utilisateur des effets des vibrations, telles que par exemple : Entretien de l'outil électrique et des outils de travail, maintenir les mains chaudes, organisation des opérations de travail.

## Valeurs d'émission du niveau sonore (Indication à deux chiffres conformément à la norme ISO 4871)

### Émission acoustique

JMU 404 M (\*\*)

Mesure réelle (A) du niveau de pression acoustique sur le lieu de travail $L_{pA}$ (re 20 $\mu$ Pa), en décibel	86.0
Incertitude $K_{pA}$ , en décibel	5
Mesure réelle (A) du niveau d'intensité acoustique pondéré $L_{wA}$ (re 1 pW), en décibel	97.0
Incertitude $K_{wA}$ , en décibel	5
Mesure réelle (C) du niveau max. de pression acoustique sur le lieu de travail $L_{pCpeak}$ en décibel	98.5
Incertitude $K_{pCpeak}$ en décibel	5
valeur de vibration moyenne (carottage)	
- $m/s^2$	< 1.4
- $ft/s^2$	4.56
Incertitude $K$ , en	
- $m/s^2$	1.5
- $ft/s^2$	4.9

REMARQUE : La somme de la valeur d'émission mesurée et de l'incertitude constitue la limite supérieure des valeurs qui peuvent apparaître pendant des mesurages.

 Porter une protection acoustique !

Valeurs de mesure mesurées conformément à la norme correspondante du produit.

## Câble de rallonge.

**⚠ AVERTISSEMENT** Au cas où une rallonge serait nécessaire, la longueur ainsi que la section du conducteur de celle-ci doivent être appropriées à l'utilisation afin d'éviter une baisse de tension dans la rallonge, une perte de puissance et une surchauffe de l'outil électrique. Sinon la rallonge et l'outil électrique présentent des dangers électriques et l'efficacité du travail est entravée.

## Conception de l'outil électrique :












Carotteuse conçue pour le perçage avec fraises à carotter et forets hélicoïdaux, pour l'abrasion, le chambrage et le filetage de matériaux magnétisables, dans un environnement à l'abri des intempéries avec utilisation des outils de travail et des accessoires autorisés par FEIN.






















### Fonctionnement de l'outil électrique avec des générateurs de courant.








❗ Cet outil électrique est également conçu pour fonctionner sur des groupes électrogènes d'une puissance suffisante correspondant à la norme ISO 8528, classe de modèle G2. Cette norme n'est pas respectée si le facteur de distorsion harmonique dépasse 10 %. En cas de doute, informez-vous sur le groupe électrogène utilisé.

**⚠ AVERTISSEMENT** Il est interdit de faire fonctionner l'outil électrique sur des générateurs de courant dont la tension à vide dépasse la valeur de tension indiquée sur la plaque signalétique de l'outil électrique.

## Symboles.

Symbole, signe	Explication
	Lire impérativement les documents ci-joints tels que la notice d'utilisation et les instructions générales de sécurité.
	Suivre les indications données dans le texte ou la représentation graphique ci-contre !
	Suivre les indications données dans le texte ou la représentation graphique ci-contre !
	Avant d'effectuer ce travail, retirez la fiche de la prise de courant. Sinon, il y a risque de blessures dû à un démarrage non intentionné de l'outil électrique.
	Lors des travaux, portez une protection oculaire.
	Lors des travaux, portez une protection acoustique.
	Ne touchez pas les éléments en rotation de l'outil électrique.
	Attention aux bords tranchants des outils de travail tels que les lames des couteaux.
	Danger de glisser !
	Danger d'écrasement !
	Attention aux objets qui pourraient tomber !

Symbole, signe	Explication
	Surface chaude !
	Ne pas mettre les mains dedans !
	Attacher la ceinture !
	Signal d'interdiction général. Cette action est interdite !
	Ce symbole confirme la certification de ce produit aux États-Unis et au Canada.
	Cette indication met en garde contre une situation dangereuse imminente. Une mauvaise manipulation peut entraîner de graves blessures ou la mort.
	Cette indication indique une situation éventuellement dangereuse pouvant entraîner de graves blessures ou la mort.
	Cette indication met en garde contre une situation potentiellement dangereuse qui peut entraîner des blessures.
	Signalisation de recyclage : indique les matériaux recyclables
	Trier les outils électriques ainsi que tout autre produit électrotechnique et électrique et les déposer à un centre de recyclage respectant les directives relatives à la protection de l'environnement.
	Acier
	Vitesse de rotation faible
	Vitesse de rotation élevée
	Force magnétique suffisante
	Force magnétique insuffisante
	Le disjoncteur différentiel (*) PRCD est allumé, le témoin de contrôle est allumé en rouge.
	Le disjoncteur différentiel (*) PRCD est éteint, le témoin de contrôle n'est pas allumé.
	Alimentation en liquide ouverte.
	Alimentation en liquide fermée.
	Démarrer le moteur de carottage. Sens de rotation vers la droite
	Arrêter le moteur

Symbole, signe	Explication
	Démarrer le moteur de carottage. Sens de rotation vers la droite
 	Démarrer le moteur de carottage. Sens de rotation vers la gauche
	Arrêter le moteur
	Activer/désactiver l'aimant
	haute/basse vitesse de rotation
	Produit avec isolation de base et raccordement supplémentaire au conducteur de protection de tous les éléments conducteurs pouvant être touchés.
(**)	peut contenir des chiffres ou des lettres

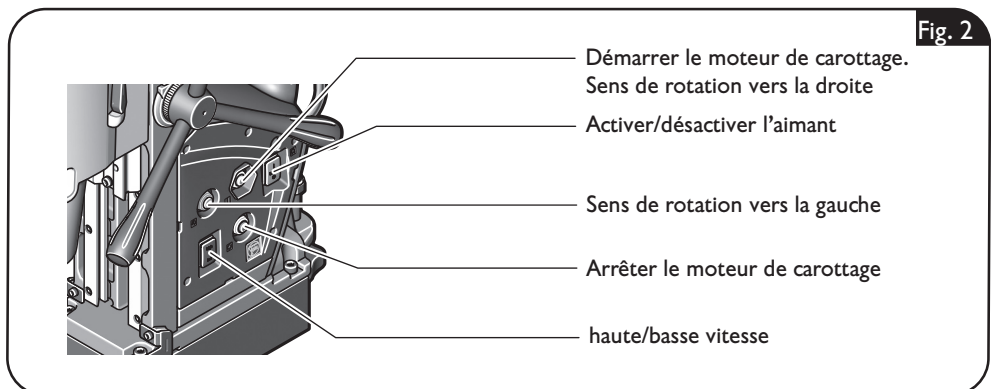
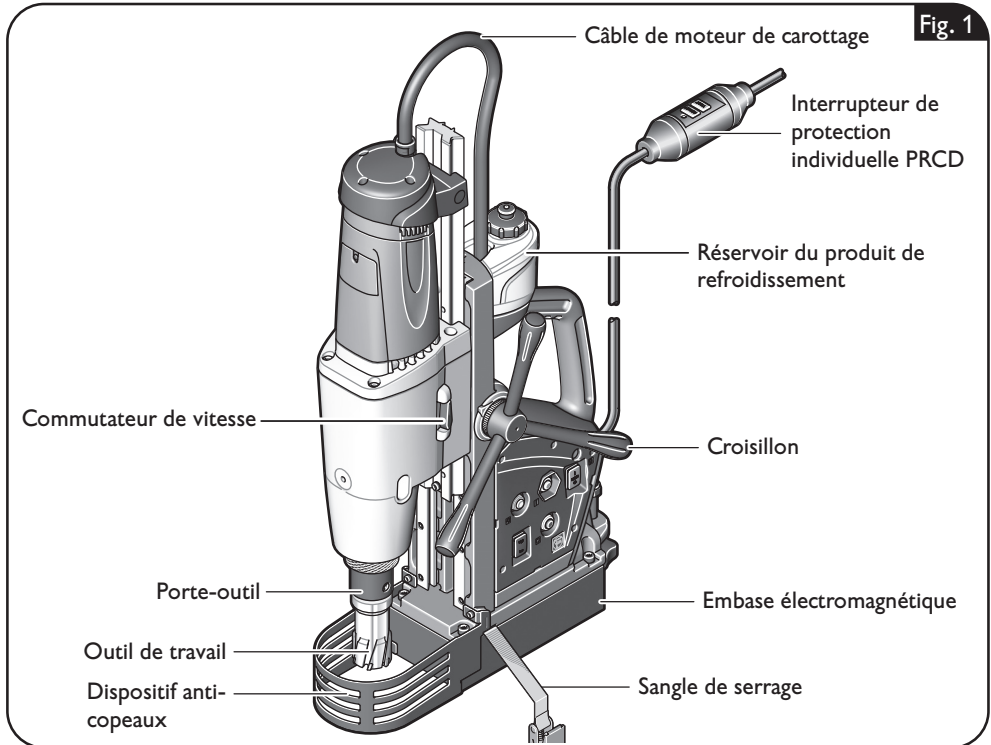
Signe	Unité nationale	Explication
$n_0$	rpm ; /min ; $\text{min}^{-1}$ ; r/min	Vitesse à vide
$P$	W	Unité de mesure pour la puissance électrique
	°	Unité de mesure pour la largeur d'angle
$U$	V	Unité de mesure pour la tension électrique
$f$	Hz	Unité de mesure pour la fréquence
$I$	A	Unité de mesure pour l'intensité du courant électrique
$m$	lbs	Unité de mesure pour la masse
$l$	ft, in	Unité de mesure pour longueur, largeur, hauteur, profondeur, diamètre ou filetage
$\varnothing$	ft, in	Diamètre d'un élément
$K...$		Incertitude
$a$	$\text{m/s}^2$	Valeur d'émission vibratoire selon EN 62841 (somme vectorielle des trois directions)
	m, s, kg, A, mm, V, W, Hz, N, °C, dB, min, $\text{m/s}^2$	Unités de base et unités dérivées du système international <b>SI</b> .



## Description technique et spécification.

**AVERTISSEMENT** Avant de commencer les travaux de montage ou avant de changer les outils de travail et les accessoires, retirer la fiche de secteur. Cette mesure de sécurité préventive exclut un danger de blessure causé par un démarrage non intentionné de l'outil électrique.

Il se peut que seule une partie des accessoires décrits ou représentés dans cette notice d'utilisation soit fournie avec l'outil électrique.



Type	JMU 404(**)
Référence	7 270 ... / 7 273 ...
Courant absorbé	15.0 A
1re vitesse – nombre de tours élevé	190 tr/min
1re vitesse – nombre de tours bas	100 tr/min
2e vitesse – nombre de tours élevé	290 tr/min
2e vitesse – nombre de tours bas	160 tr/min
3e vitesse – nombre de tours élevé	500 tr/min
3e vitesse – nombre de tours bas	270 tr/min
4e vitesse – nombre de tours élevé	750 tr/min
4e vitesse – nombre de tours bas	420 tr/min
Diamètre de perçage acier - carbure (carotteur)	1/2 in – 4 in 12 mm – 100 mm
Diamètre de perçage acier - acier rapide (carotteur)	1/2 in – 3 1/8 in 12 mm – 80 mm
Diamètre de perçage acier - acier rapide (foret hélicoïdal)	1 9/16 in 40 mm
Alésage	1 3/8 in
Diamètre alésoir	1 3/8 in 36 mm
Diamètre lamage	2 3/8 in 60 mm
Poids suivant EPTA-Procedure 01	86.0 lbs / 79.4 lbs (39.0 kg) / (36.0 kg)
Classe de protection	I
Température ambiante admissible	23°F ... 104°F -5°C ... +40°C

## Indications de montage.

**⚠ AVERTISSEMENT** Avant de commencer les travaux de montage ou avant de changer les outils de travail et les accessoires, retirer la fiche de secteur. Cette mesure de sécurité préventive exclut un danger de blessure causé par un démarrage non intentionné de l'outil électrique.

### Remplissage du réservoir du liquide de refroidissement.

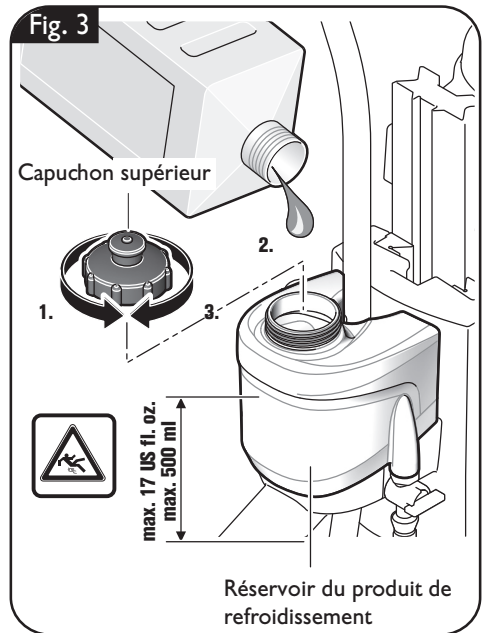
**⚠ AVERTISSEMENT** Évitez l'écoulement du liquide de refroidissement le long du câble dans la prise ou dans l'unité de perçage ; ceci peut causer un choc électrique. Faites une boucle avec le câble devant la prise pour permettre au liquide de s'égoutter. Ne pas utiliser la carottière si le système de refroidissement est défectueux. **Avant chaque utilisation**, contrôler l'étanchéité et si les tuyaux flexibles présentent des fissures. Éviter la pénétration de liquide dans les éléments électriques. N'utilisez comme réfrigérant qu'une émulsion de lubrifiant-réfrigérant (**mélange huile/eau**). Tenez compte des instructions du fabricant du produit.

### Remplissage du réservoir du liquide de refroidissement monté (figure 3)

Dévissez le capuchon du réservoir du liquide de refroidissement.

Remplissez d'un liquide de refroidissement pouvant être pompé, par ex. huile de coupe Slugger.

Revissez le capuchon du réservoir du liquide de refroidissement.



### Remplissage du réservoir du liquide de refroidissement démonté (figure 4)

Retirez le réservoir du liquide de refroidissement du carter de support de l'unité de perçage.

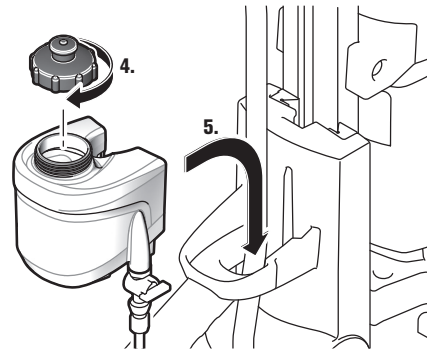
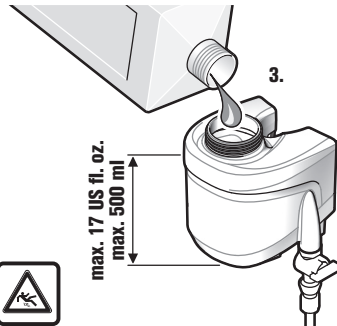
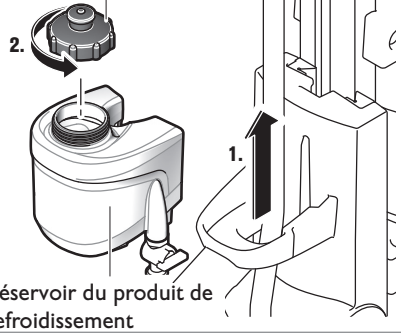
Dévissez le capuchon du réservoir du liquide de refroidissement.

Remplissez d'un liquide de refroidissement pouvant être pompé, par ex. huile de coupe Slugger.

Revissez le capuchon du réservoir du liquide de refroidissement.

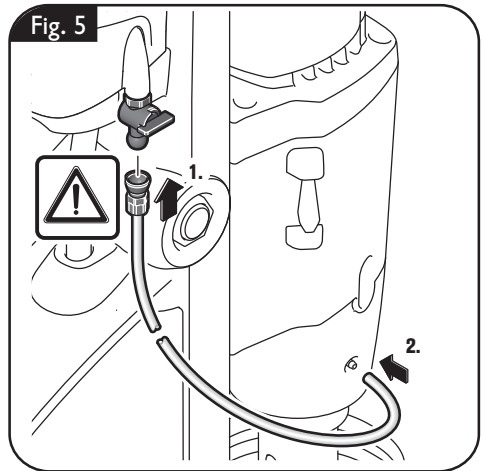
Montez le réservoir du liquide de refroidissement rempli dans le support prévu du support de perçage.

Fig. 4 Capuchon supérieur



## Montage du tuyau du liquide de refroidissement (figure 5).

Connectez le tuyau du liquide de refroidissement.



## Changement d'outil.

**⚠ AVERTISSEMENT** **Sécuriser l'outil électrique uniquement avec la sangle livrée avec.**

La force d'attraction magnétique n'est plus active lors d'une panne de courant ou lorsque l'appareil est débranché.

**⚠ AVERTISSEMENT** **Arrêtez la machine et retirez la fiche de secteur (pas au-dessus de la tête !) avant tout montage ou remplacement d'accessoires.**

Cette mesure de sécurité préventive exclut un danger de blessure causé par un démarrage non intentionné de l'outil électrique.

### Fraise à carotter (figure 6)

Desserrez les deux vis du porte-outil à l'aide d'une clé mâle pour vis à six pans creux. Faites passer la tige de centrage à travers la fraise à carotter.

Montez la fraise à carotter avec la tige de centrage dans le porte-outil.

Serrez les deux vis du porte-outil à l'aide de la clé mâle pour vis à six pans creux contre les surfaces de la tige de l'accessoire.

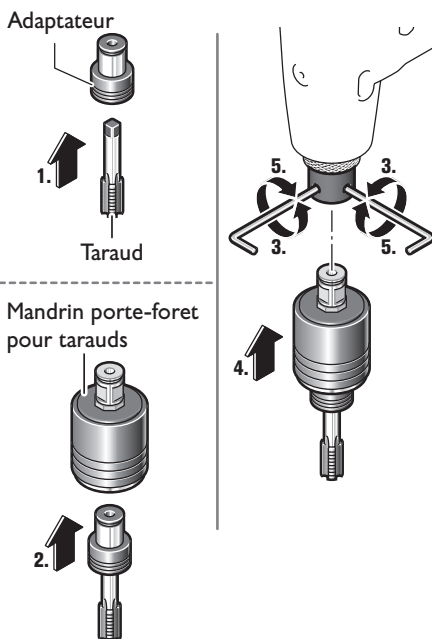
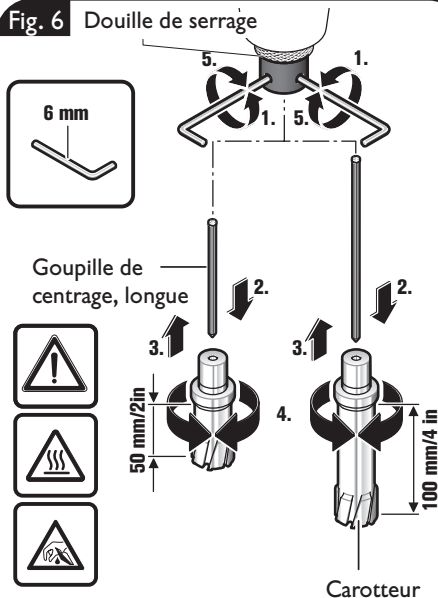
Pour les carottages de 100 mm de longueur, remplacer la broche de centrage de 200 mm après une profondeur de perçage d'environ 60 mm par la broche de centrage d'une longueur de 135 mm.

**Ne touchez pas les bords aigus de la fraise à carotter.** Danger de blessure.

### Taraud (figure 6)

Desserrez les deux vis du porte-outil à l'aide d'une clé mâle pour vis à six pans creux. Placez le taraud sur l'adaptateur et l'adaptateur dans le mandrin de perçage.

Serrez les deux vis du porte-outil à l'aide de la clé mâle pour vis à six pans creux contre les surfaces de la tige de l'accessoire.



### Mandrin de perçage (figure 7)

Desserrez les deux vis du porte-outil à l'aide d'une clé mâle pour vis à six pans creux. Montez le mandrin de perçage dans le porte-outil.

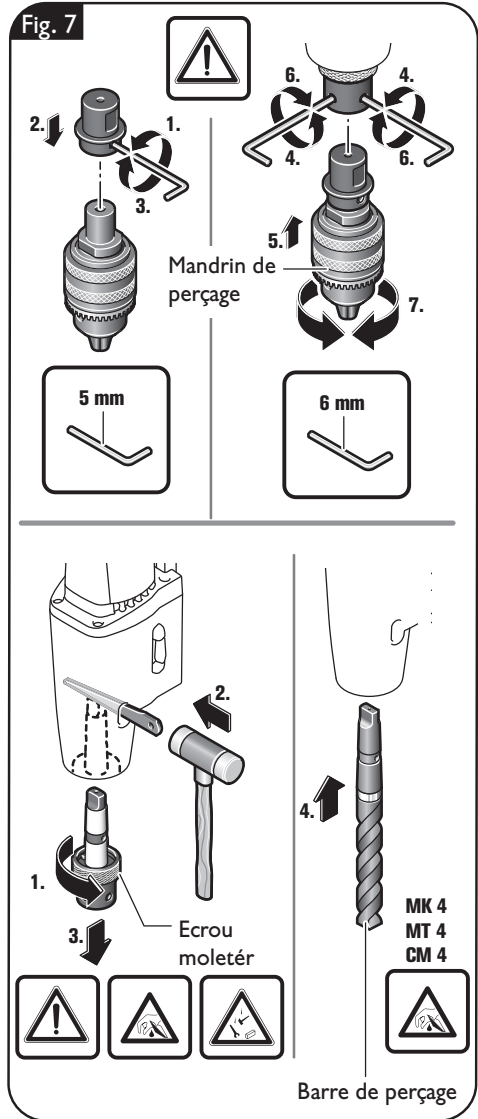
Serrez les deux vis du porte-outil à l'aide de la clé mâle pour vis à six pans creux contre les surfaces de la tige du mandrin de perçage.

### Foret hélicoïdal (figure 7)

L'écrou de blocage a un filet à gauche, tourner vers la droite pour le desserrer !

Desserrez l'écrou de blocage et faites sortir le porte-outil à l'aide d'un chasse-cône.

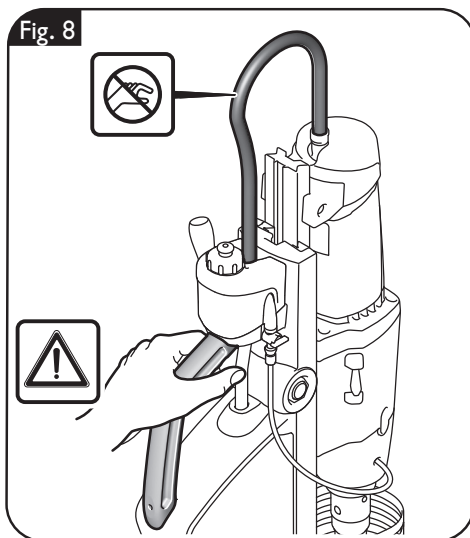
Nettoyer le cône intérieur de l'arbre de sortie et monter le foret hélicoïdal.



## Indications pour le travail.

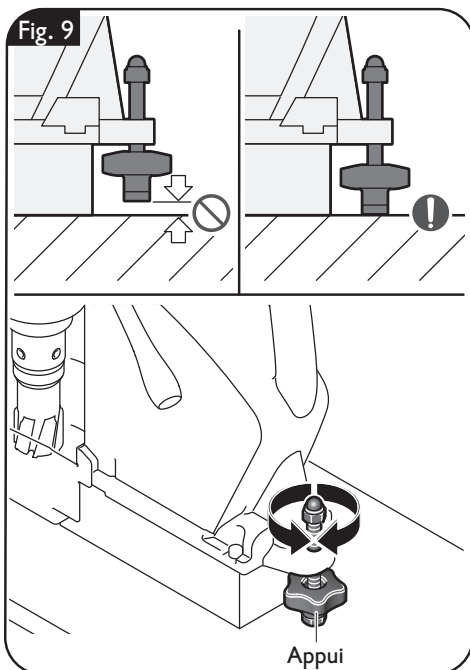
**AVERTISSEMENT** Sécuriser l'outil électrique uniquement avec la sangle livrée avec. La force d'attraction magnétique n'est plus active lors d'une panne de courant ou lorsque l'appareil est débranché.

⚠ Porter l'outil par la poignée et ne pas par le câble du moteur de carottage.



### Appui (figure 9).

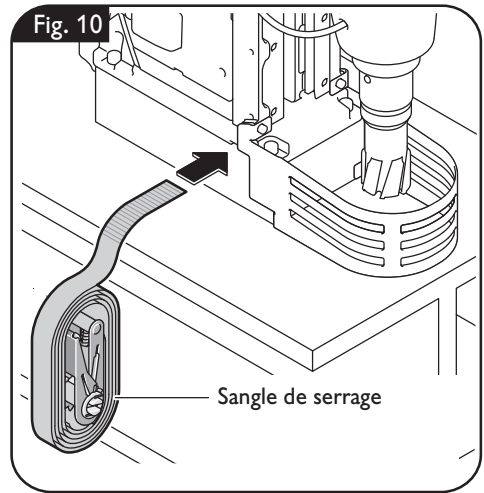
Pour le carottage, utiliser l'appui. Pendant le carottage, la carotteuse peut basculer en raison du contrecoup. L'appui permet de garder une position stable et sûre.





## Montage de la sangle de serrage (figure 10)

Bloquez la machine sur la pièce à l'aide de la sangle de serrage.



## Mise en marche de l'aimant (figure 11).

Veiller à ce que la surface sur laquelle est posée l'embase électromagnétique soit plane, propre et exempte de rouille et de glace. Enlever les couches de vernis et de mastic et autres matériaux. Éviter un entrefer entre l'embase électromagnétique et la surface de montage. L'entrefer réduit la force d'attraction magnétique.

Ne pas utiliser cette machine sur des surfaces chaudes ; ceci pourrait entraîner une réduction permanente de la force d'attraction magnétique.

Utilisez toujours l'embase magnétique lors du travail et veillez à ce que la force magnétique soit suffisante.

- Si le voyant vert reste allumé en permanence, la force de maintien magnétique est éventuellement suffisante et la machine peut fonctionner à une **vitesse d'avance normale**.
- Si le voyant vert clignote, la force de maintien magnétique est éventuellement insuffisante et la machine doit être utilisée avec une **force d'avance réduite**.

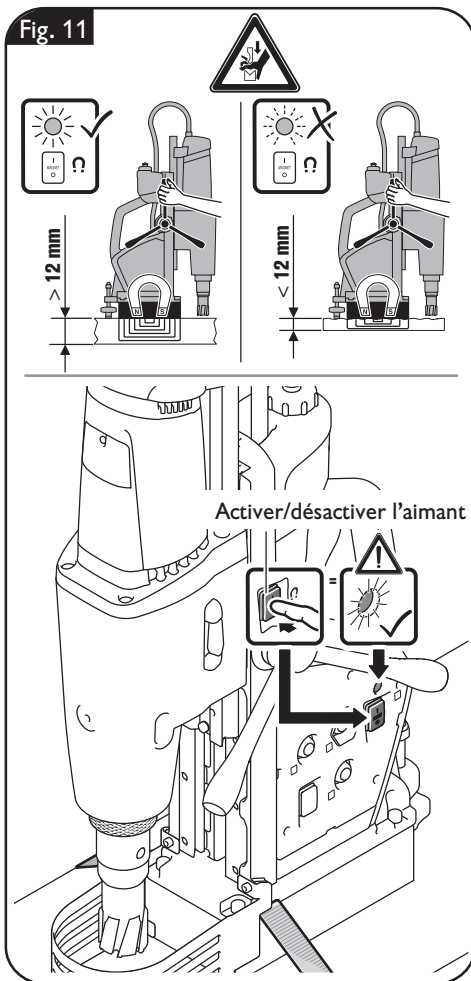
Afin de garantir la force d'attraction magnétique également avec des matériaux en acier d'une épaisseur inférieure à 12 mm, renforcer la pièce à travailler par une plaque supplémentaire en acier.

N'appliquez que la force d'avance absolument nécessaire. Les forces d'avance trop élevées peuvent entraîner une rupture de l'accessoire et une perte de la force d'attraction magnétique.

Si l'alimentation est interrompue pendant que le moteur tourne, l'électronique empêche le moteur de redémarrer automatiquement. Redémarrez le moteur. Régler la vitesse de rotation au ralenti ou à l'arrêt du moteur. Ne pas arrêter le moteur de carottage pendant le carottage. Ne retirer la caroteuse du trou de carottage que tant que le moteur de carottage tourne. Au cas où le carotteur resterait coincé dans le matériau, arrêter le moteur de carottage et sortir prudemment le carotteur en le tournant dans le sens inverse des aiguilles d'une montre.

Enlever les copeaux et la carotte après chaque opération de carottage. Ne pas toucher les copeaux à la main. Toujours utiliser un crochet à copeaux. Danger de brûlure ! La

surface de l'aimant peut atteindre des températures élevées. Ne touchez pas l'aimant à main nue. Lors du remplacement du carotteur, ne pas endommager les lames. Lors du carottage de matériaux stratifiés, enlever la carotte et les copeaux après chaque couche percée. N'utilisez pas l'unité de perçage si le système de refroidissement est défectueux. Contrôlez l'étanchéité et si les tuyaux flexibles présentent des fissures. Évitez que du liquide ne pénètre dans les parties électriques.



## Réglage de la plage de course (figure 12).

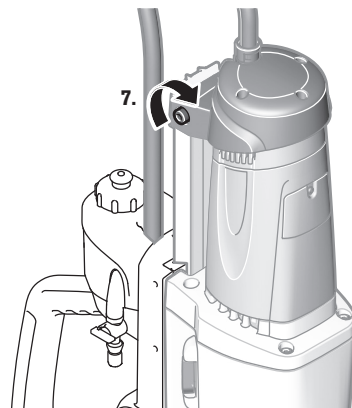
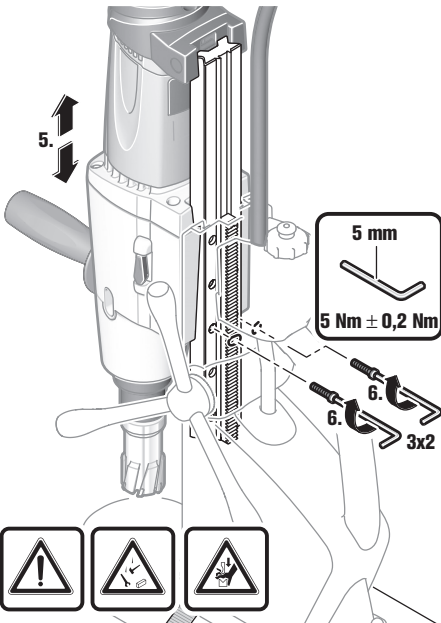
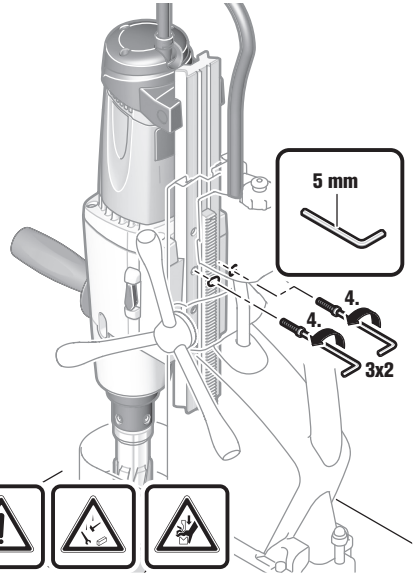
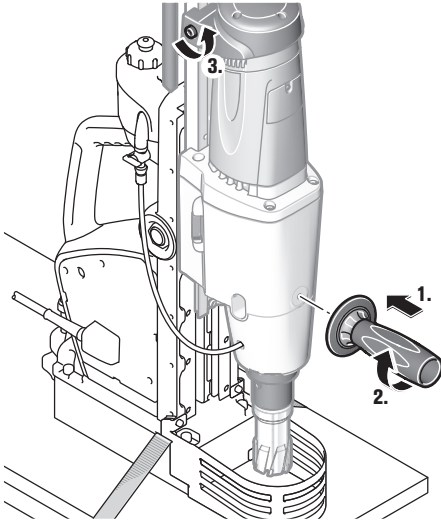
Montez la poignée et desserrez la vis du haut.

Retirez les vis du milieu à l'aide d'une clé mâle pour vis à six pans.


Régler la course à la position de travail souhaitée et resserrer les vis fermement.


Resserrer aussi fermement la vis du haut.

Fig. 12

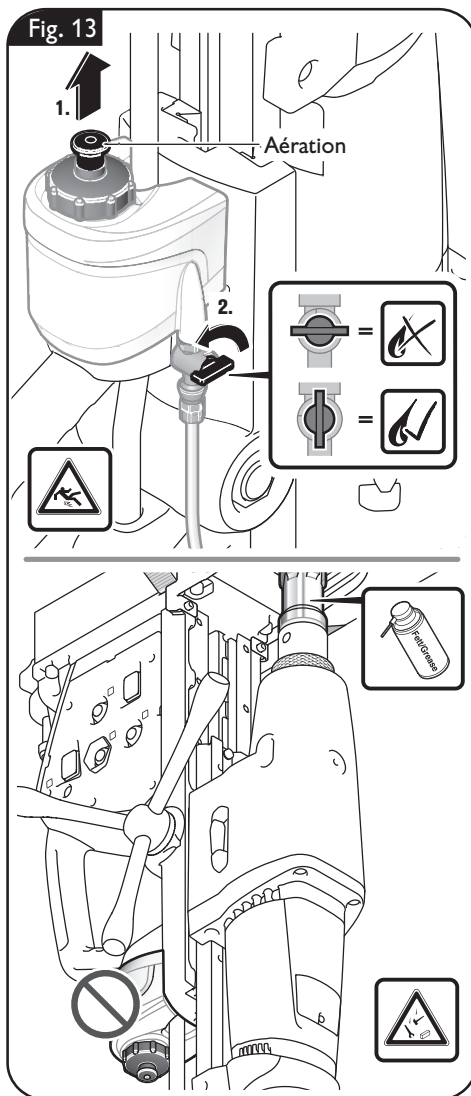


## Mise en marche ou arrêt du débit du produit de refroidissement (figure 13).

 Pour activer le débit du liquide de refroidissement, ouvrez la purge d'air et tournez la soupape de traversée dans la position indiquée sur la figure.

 Pour arrêter ou pour les travaux effectués au-dessus de la tête, arrêtez le débit du liquide de refroidissement. Fermez la purge d'air et tournez la soupape de traversée dans la position indiquée sur la figure.

Pour les travaux effectués au-dessus de la tête, utilisez une pâte de refroidissement de Slugger.



## Disjoncteur différentiel (\*) PRCD (figure 14).

L'interrupteur de protection personnelle PRCD est spécialement conçu pour votre protection, **ne** l'utilisez donc **pas** comme interrupteur marche/arrêt.

Si l'interrupteur de protection personnelle PRCD est endommagé, par exemple par contact avec de l'eau, ne l'utilisez plus.

L'interrupteur de protection personnelle est indispensable, il sert à protéger l'utilisateur de l'outil électrique contre les chocs électriques. En fonctionnement sans défaut, le témoin de contrôle de l'interrupteur de protection personnelle s'allume en rouge.

Avant de commencer le travail, vérifiez le fonctionnement de l'interrupteur de protection personnelle :

1. Branchez la fiche de l'interrupteur de protection personnelle à la prise de courant.
2. Appuyez sur la touche RESET. Le témoin de contrôle de l'interrupteur de protection personnelle s'allume en rouge.
3. Retirez la fiche de la prise de courant. Le voyant lumineux rouge s'éteint.
4. Répétez les étapes 1 et 2.
5. Appuyez sur la touche TEST, le voyant lumineux rouge s'éteint. Si le témoin de contrôle rouge ne s'éteint pas, ne démarrez pas la machine. Dans ce cas, consultez le service.
6. Appuyez sur la touche RESET ; si le voyant lumineux est allumé rouge, l'outil électrique peut maintenant être mis en marche.

**Ne pas utiliser l'interrupteur de protection personnelle pour allumer et éteindre l'outil électrique.**

Fig. 14



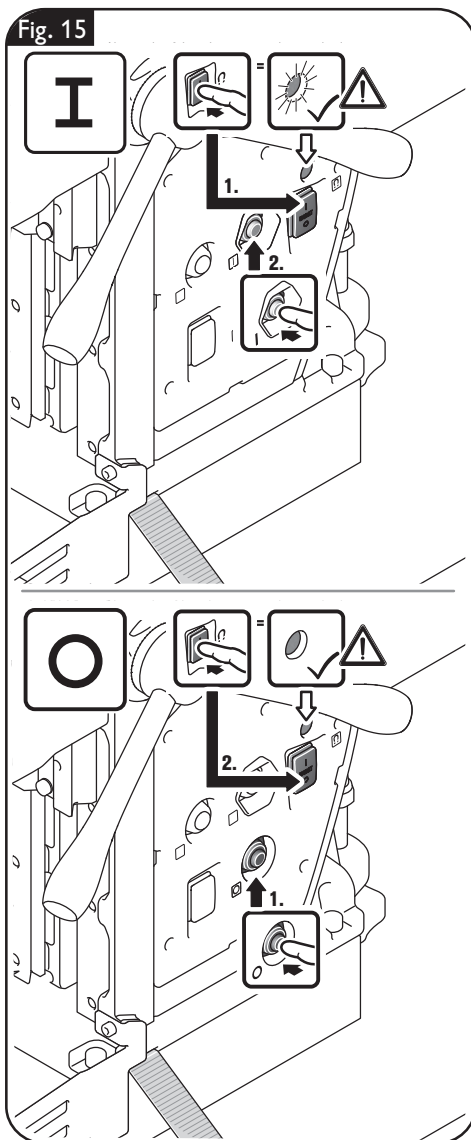
**Mise en marche/arrêt (figure 15).**

Activez l'aimant avant de mettre en marche. Pour ce faire, appuyez sur le commutateur magnétique.


Allumez l'appareil sur le mode de travail souhaité.



Éteignez l'appareil après le travail.


Après avoir éteint l'appareil, désactivez l'aimant. Pour ce faire, appuyez sur le commutateur magnétique.



## Démarrage et arrêt du moteur de carottage (figure 16).

Pour démarrer le moteur de carottage dans le sens des aiguilles d'une montre, appuyez sur le bouton avec le symbole «  ».

Pour démarrer le moteur dans le sens contraire des aiguilles d'une montre, appuyez sur les boutons avec le symbole «  et  ».

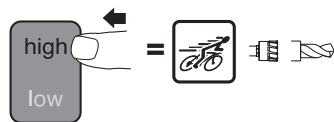
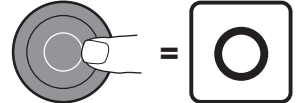
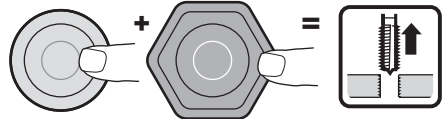
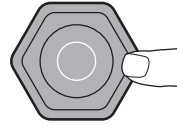
Pour arrêter le moteur de carottage, appuyez sur le bouton «  ».

Nous arrangerons le motif du carottage pendant le processus de percussion.

Si l'alimentation est interrompue pendant que le moteur de carottage tourne, l'électronique empêche le moteur de carottage de redémarrer automatiquement. Remettre le moteur de carottage en marche.

**Dans le cas d'une surcharge, le moteur s'arrête automatiquement et doit être redémarré.**

Fig. 16



## Commutation de la vitesse de rotation (figure 17).

Le commutateur de vitesse permet de sélectionner la vitesse de rotation et ainsi le couple.

Réglez la vitesse de rotation au ralenti ou à l'arrêt du moteur.

Un sélecteur de vitesses se trouve sur le côté droit et un autre sur le côté gauche de la machine.

Pour commuter, tournez les commutateurs de 90° hors de la poche. Dans cette position, déplacez les commutateurs jusqu'à butée. Ensuite, retournez les commutateurs dans les poches.

**Vitesse 1 :** Tournez les deux commutateurs à l'opposé des points. Cette vitesse convient au travail à basse vitesse et à couple élevé. Ce réglage convient pour le perçage ou le carottage de grands diamètres, pour le taraudage et l'abrasion.

**Vitesse 2 :** Tournez le commutateur de gauche vers le point, tournez le commutateur de droite à l'opposé des deux points.

**Vitesse 3 :** Tournez le commutateur de gauche à l'opposé du point et tournez le commutateur de droite vers les deux points.

**Vitesse 4 :** Tournez les deux commutateurs vers les points. Cette vitesse convient au travail à grande vitesse et à faible couple. Cette vitesse est adaptée aux petits diamètres de perçage.

Dans les vitesses respectives, la vitesse de rotation peut être commutée sur basse « low » ou élevée « high ».

Fig. 17

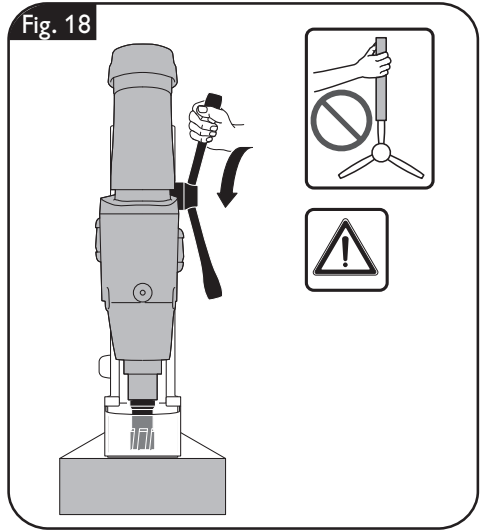
	Ø in				rpm / load	Fe 400
	3/8-4	1/2-4	3/4-4	1-4		
high	120	170	300	430	HM Carbide	HSS
	2 <sup>3</sup> / <sub>8</sub> -3 <sup>1</sup> / <sub>8</sub>	2 <sup>3</sup> / <sub>4</sub> -3 <sup>1</sup> / <sub>8</sub>	1 <sup>9</sup> / <sub>16</sub> -2 <sup>1</sup> / <sub>16</sub>	1/2-1 <sup>1</sup> / <sub>2</sub>	HSS	
	1 <sup>1</sup> / <sub>4</sub> -1 <sup>3</sup> / <sub>16</sub>	1 <sup>9</sup> / <sub>16</sub> -2 <sup>5</sup> / <sub>16</sub>	1 <sup>1</sup> / <sub>4</sub> -1 <sup>1</sup> / <sub>2</sub>	1/2-1 <sup>3</sup> / <sub>16</sub>	HSS	
low	60	90	150	230	HM Carbide	HSS
	1 <sup>1</sup> / <sub>8</sub> -1 <sup>3</sup> / <sub>8</sub>	1 <sup>3</sup> / <sub>16</sub> -1	3 <sup>1</sup> / <sub>16</sub> -3/4	5 <sup>1</sup> / <sub>16</sub> -1/2	HSS	
	1 <sup>1</sup> / <sub>8</sub> -1 <sup>1</sup> / <sub>16</sub>	3/4-1 <sup>1</sup> / <sub>16</sub>	1/2-1 <sup>1</sup> / <sub>16</sub>	5 <sup>1</sup> / <sub>16</sub> -7 <sup>1</sup> / <sub>16</sub>	HSS	
	1 <sup>1</sup> / <sub>16</sub> -2 <sup>3</sup> / <sub>8</sub>	7 <sup>1</sup> / <sub>8</sub> -1 <sup>3</sup> / <sub>8</sub>	5 <sup>1</sup> / <sub>8</sub> -1 <sup>3</sup> / <sub>16</sub>	3 <sup>1</sup> / <sub>8</sub> -9 <sup>1</sup> / <sub>16</sub>	HSS	



### Avance (figure 18).

N'appliquez que la force d'avance absolument nécessaire. Les forces d'avance trop élevées peuvent entraîner une rupture de l'accessoire et une perte de la force d'attraction magnétique.

Tournez le croisillon manuellement, le moteur mis en marche, pour générer l'avance.



## Indications pour les travaux de carottage.

Ne sortir l'outil coupant du perçage que lorsque le moteur tourne encore.

Au cas où l'outil coupant resterait coincé dans le matériau, arrêter le moteur de carottage et sortir prudemment l'outil coupant en le tournant dans le sens inverse des aiguilles d'une montre.

Enlevez les copeaux et la carotte après chaque opération de perçage.

- ❗ Ne pas toucher les copeaux à la main. Utilisez toujours un crochet à copeaux (6 42 01 001 00 0).

**⚠ ATTENTION** Danger de brûlure ! La surface de l'aimant peut atteindre des températures élevées. Ne touchez pas l'aimant à la main.

Pour les travaux de carottage dans des matériaux composites, utilisez un carotteur Slugger ID approprié.

Lors du remplacement de l'outil, ne pas endommager les arêtes de coupe.

Lors du carottage de matériaux stratifiés, enlever la carotte et les copeaux après chaque couche percée.

Message de défaut/comportement du voyant Magnet	Explication	Remède
Le voyant s'allume en vert	Force d'attraction magnétique éventuellement suffisante.	
Le voyant clignote (1 Hz)	Force d'attraction magnétique éventuellement insuffisante.	Afin de garantir la force d'attraction magnétique également avec des matériaux en acier d'une épaisseur inférieure à 12 mm, renforcer la pièce à travailler par une plaque supplémentaire en acier.
Le voyant clignote (5 Hz)	<ul style="list-style-type: none"> <li>- Aimant défectueux</li> <li>- Fausse tension du réseau</li> <li>- Température du moteur trop élevée</li> </ul>	<ul style="list-style-type: none"> <li>- Réparer l'aimant</li> <li>- S'assurer que la tension secteur est correcte</li> <li>- Laisser refroidir le moteur</li> </ul>

## Température de surcharge

Plage de température	Explication
Température > Tg1	Vitesse de refroidissement très basse, sans puissance
Température < Tg1	Le moteur s'arrête et peut être redémarré
Température > Tg2	Le moteur s'éteint, le voyant clignote à 5 Hz ; le moteur doit refroidir en dessous de Tg2 avant de pouvoir être remis en marche
Température entre Tg1 et Tg2	Vitesse de refroidissement sans puissance
Tg1, Tg2 : températures limites	

Si seulement une puissance réduite est disponible lorsque le moteur est démarré en position LOW, c'est que la sonde de température est défectueuse. Si cela se produit plus d'une fois, consultez le service.

## Travaux d'entretien et service après-vente.

**⚠ AVERTISSEMENT** Avant de commencer les travaux de montage ou avant de changer les outils de travail et les accessoires, retirer la fiche de secteur. Cette mesure de sécurité préventive exclut un danger de blessure causé par un démarrage non intentionné de l'outil électrique.

### Pièces remplaçables.

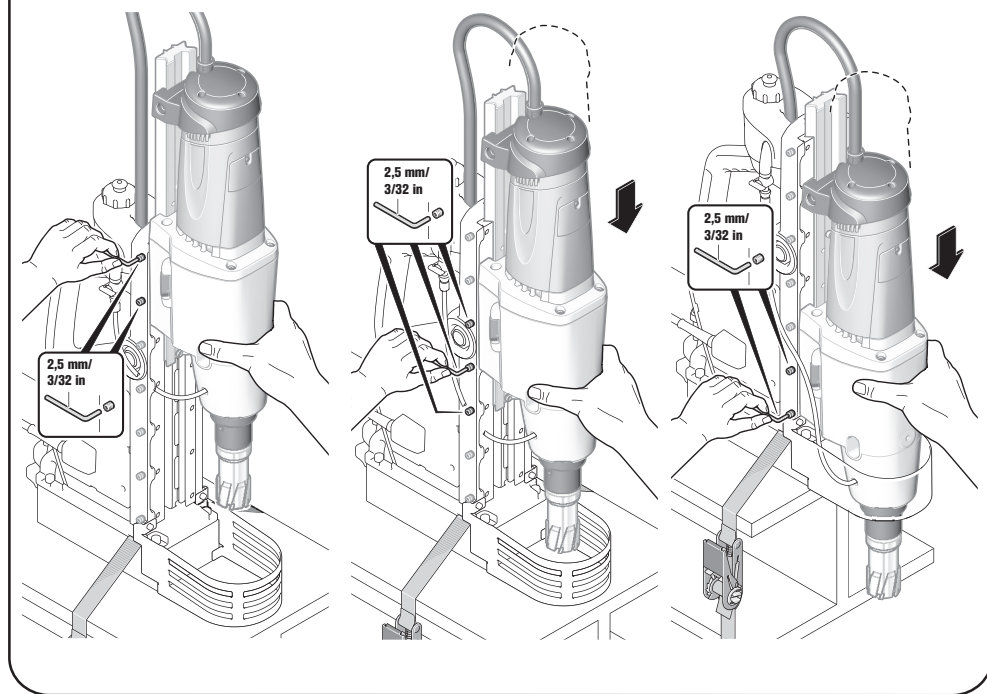
Si besoin est, vous pouvez vous-même remplacer les éléments suivants :

Outils de travail, réservoir de liquide de refroidissement, protège-mains

### Guidage du moteur de carottage (figure 19).

Au bout de quelques heures de service, le jeu dans le moteur de carottage pourrait augmenter. Le moteur de carottage pourrait alors glisser le long du guidage. Des perturbations de fonctionnement sont possibles. Dans un tel cas, resserrez de manière appropriée toutes les vis de fixation du guidage du moteur, de sorte que le moteur de carottage se laisse facilement bouger manuellement, mais ne puisse pas glisser automatiquement.

Fig. 19



## Service après-vente.

**⚠ AVERTISSEMENT** Ne faire effectuer les travaux d'entretien que par des personnes qualifiées. Les câbles et éléments mal montés peuvent présenter des risques graves. Ne faire effectuer les travaux d'entretien que par une station de Service Après-Vente Slugger.

**⚠ ATTENTION** Si un câble d'alimentation de l'outil électrique est endommagé, il doit être remplacé par un câble d'alimentation spécialement préparé disponible auprès du Service Après-Vente de Slugger. N'utiliser que des pièces de rechange d'origine.

Vous trouverez la liste actuelle des pièces de rechange pour cet outil électroportatif sur notre site [www.fein.com](http://www.fein.com).

## Nettoyage.

**⚠ AVERTISSEMENT** Afin d'éviter des accidents, débranchez l'outil électrique de l'alimentation en courant avant d'effectuer un nettoyage ou des travaux d'entretien ou de maintenance.

**⚠ AVERTISSEMENT** S'il y a de la poussière conductrice dans l'air lors de l'utilisation de l'appareil, p. ex. lors du traitement de métaux, cette poussière peut se déposer à l'intérieur de l'outil électrique. Soufflez alors régulièrement de l'extérieur de l'air comprimé sec exempt d'huile dans l'intérieur de l'outil électrique à travers les ouïes de ventilation ; utilisez toujours une protection oculaire.

**⚠ ATTENTION** N'essayez pas de nettoyer les orifices de ventilation à l'aide d'objets métalliques pointus ; utilisez des outils non métalliques.

**⚠ ATTENTION** N'utilisez pas de détergents ou de solvants qui peuvent endommager les parties en matière plastique. Dont : l'essence, le tétrachlorométhane, solvants chlorés, l'ammoniaque et produits de nettoyage domestiques contenant de l'ammoniaque.

Remplacer les étiquettes et avertissements sur l'outil électrique en cas de vieillissement ou d'usure.

## Système de refroidissement.

Rincez le système de refroidissement avec de l'eau, nettoyez-le et purgez-le complètement, si la machine est arrêtée pendant plus de deux semaines.

## Garantie.

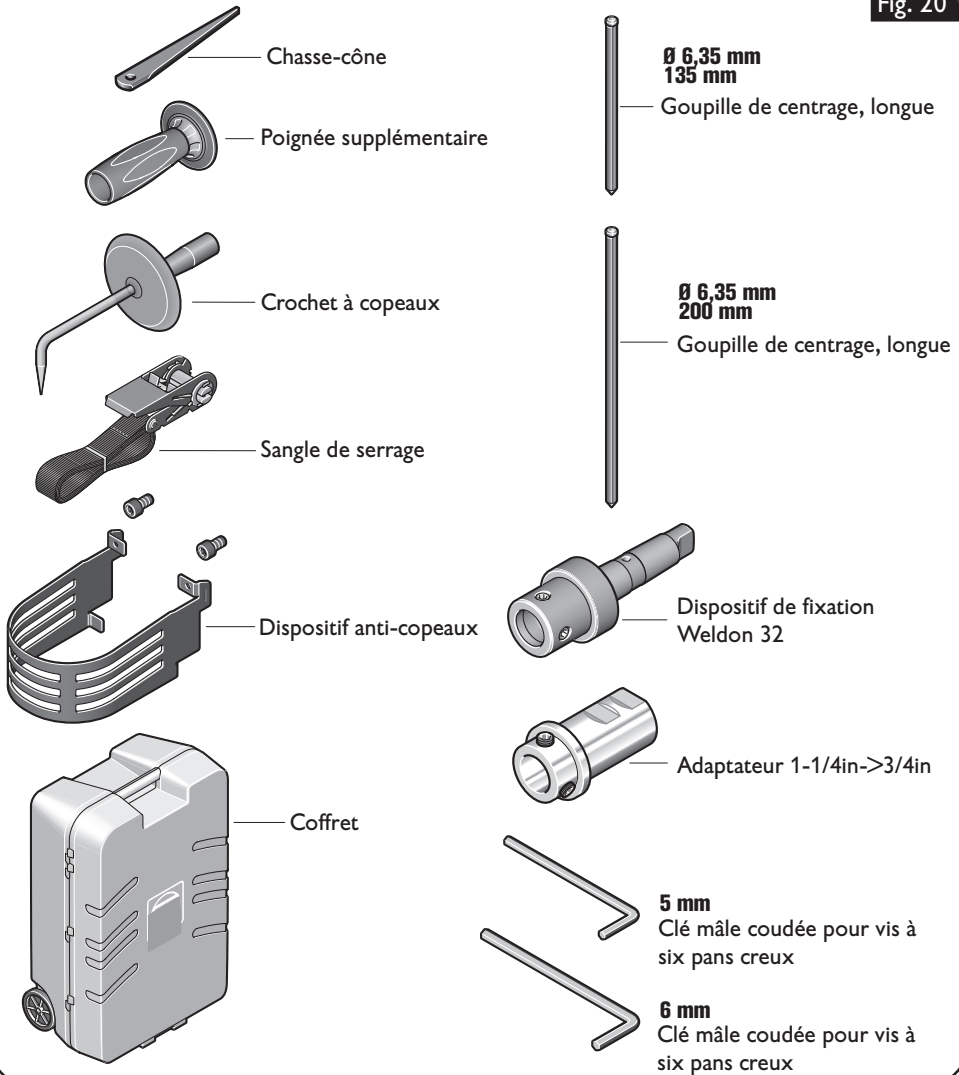
La garantie du produit est valable conformément à la réglementation légale en vigueur dans le pays où le produit est mis sur le marché.

## Protection de l'environnement, recyclage.

Rapporter les outils électriques hors d'usage et les accessoires dans un centre de recyclage respectant les directives concernant la protection de l'environnement. Pour plus de précisions, veuillez vous adresser à votre revendeur spécialisé.

## Accessoires fournis (figure 20).

Fig. 20



## Para su seguridad.

**⚠ ADVERTENCIA** Lea íntegramente estas advertencias de peligro e instrucciones. En caso de no atenderse a las advertencias de seguridad siguientes, ello puede ocasionar una descarga eléctrica, un incendio y/o lesión grave.

**Guardar todas las advertencias de peligro e instrucciones para futuras consultas.**

**🔌** No utilice esta herramienta eléctrica sin haber leído antes con detenimiento y haber entendido por completo estas instrucciones de uso, inclusive las ilustraciones, especificaciones, reglas de seguridad, así como las indicaciones identificadas con PELIGRO, ADVERTENCIA y PRECAUCIÓN.

Solamente use esta herramienta eléctrica para realizar los trabajos que el fabricante ha previsto para la misma. Únicamente utilice los útiles de corte y accesorios aprobados por el fabricante.

Observe también las respectivas prescripciones contra accidentes de trabajo vigentes en su país.

En caso de no atenderse a las instrucciones de seguridad mencionadas en la documentación previamente citada, ello puede provocar una electrocución, incendio y/o lesión grave.

Guarde estas instrucciones de uso para posteriores consultas y entréguelas al usuario en caso de prestar o vender la máquina.

**GUARDAR ESTAS INSTRUCCIONES EN UN LUGAR SEGURO.**

El término “herramienta eléctrica” empleado en las siguientes instrucciones de seguridad se refiere a herramientas eléctricas de conexión a la red (con línea) y a herramientas eléctricas accionadas por batería (o sea, sin línea).

## Instrucciones generales de seguridad.

### 1) Seguridad del puesto de trabajo

**a) Mantenga limpio y bien iluminado su puesto de trabajo.** El desorden o una iluminación deficiente en las áreas de trabajo pueden provocar accidentes.

**b) No utilice la herramienta eléctrica en un entorno con peligro de explosión, en el que se encuentren combustibles líquidos, gases o material en polvo.** Las herramientas eléctricas producen chispas que pueden llegar a inflamar los materiales en polvo o vapores.

**c) Mantenga alejados a los niños y otras personas de su puesto de trabajo al emplear la herramienta eléctrica.** Una distracción le puede hacer perder el control sobre la herramienta eléctrica.

### 2) Seguridad eléctrica

**a) El enchufe de la herramienta eléctrica debe corresponder a la toma de corriente utilizada. No es admisible modificar el enchufe en forma alguna. No emplear adaptadores en herramientas eléctricas dotadas con una toma de tierra.** Los enchufes sin modificar adecuados a las respectivas tomas de corriente reducen el riesgo de una descarga eléctrica.

**b) Evite que su cuerpo toque partes conectadas a tierra como tuberías, radiadores, cocinas y refrigeradores.** El riesgo a quedar expuesto a una sacudida eléctrica es mayor si su cuerpo tiene contacto con tierra.

**c) No exponga la herramienta eléctrica a la lluvia y evite que penetren líquidos en su interior.** Existe el peligro de recibir una descarga eléctrica si penetran ciertos líquidos en la herramienta eléctrica.

**d) No utilice el cable de red para transportar o colgar la herramienta eléctrica, ni tire de él para sacar el enchufe de la toma de corriente. Mantenga el cable de red alejado del calor, aceite, esquinas cortantes o piezas móviles.** Los cables de red dañados o enredados pueden provocar una descarga eléctrica.

- e) **Al trabajar con la herramienta eléctrica a la intemperie utilice solamente cables de prolongación apropiados para su uso en exteriores.** La utilización de un cable de prolongación adecuado para su uso en exteriores reduce el riesgo de una descarga eléctrica.
- f) **Si fuese imprescindible utilizar la herramienta eléctrica en un entorno húmedo, es necesario conectarla a través de un fusible diferencial.** La aplicación de un fusible diferencial reduce el riesgo a exponerse a una descarga eléctrica.
- 3) **Seguridad de personas**
- a) **Esté atento a lo que hace y emplee la herramienta eléctrica con prudencia. No utilice la herramienta eléctrica si estuviese cansado, ni tampoco después de haber consumido alcohol, drogas o medicamentos.** El no estar atento durante el uso de la herramienta eléctrica puede provocarle serias lesiones.
- b) **Utilice un equipo de protección personal y en todo caso unas gafas de protección.** El riesgo a lesionarse se reduce considerablemente si, dependiendo del tipo y la aplicación de la herramienta eléctrica empleada, se utiliza un equipo de protección adecuado como una mascarilla antipolvo, zapatos de seguridad con suela antideslizante, casco, o protectores auditivos.
- c) **Evite una puesta en marcha fortuita. Asegurarse de que la herramienta eléctrica esté desconectada antes de conectarla a la toma de corriente y/o al montar el acumulador, al recogerla, y al transportarla.** Si transporta la herramienta eléctrica sujetándola por el interruptor de conexión/desconexión, o si introduce el enchufe en la toma de corriente con la herramienta eléctrica conectada, ello puede dar lugar a un accidente.
- d) **Retire las herramientas de ajuste o llaves fijas antes de conectar la herramienta eléctrica.** Una herramienta de ajuste o llave fija colocada en una pieza rotante puede producir lesiones al poner a funcionar la herramienta eléctrica.
- e) **Evite posturas arriesgadas. Trabaje sobre una base firme y mantenga el equilibrio en todo momento.** Ello le permitirá controlar mejor la herramienta eléctrica en caso de presentarse una situación inesperada.
- f) **Lleve puesta una vestimenta de trabajo adecuada. No utilice vestimenta suelta ni joyas. Mantenga su pelo, vestimenta y guantes alejados de las piezas móviles.** La vestimenta suelta, las joyas o el pelo largo se pueden enganchar en las piezas móviles.
- g) **Siempre que sea posible utilizar unos equipos de aspiración o captación de polvo, asegúrese que éstos estén montados y que sean utilizados correctamente.** El empleo de estos equipos reduce los riesgos derivados del polvo.
- h) **No permita que la familiaridad adquirida por el uso frecuente de las herramientas le haga volverse demasiado confiado en sí mismo, ignorando los principios de seguridad de la herramienta.** Una acción negligente puede provocar lesiones graves en una fracción de segundo.
- 4) **Uso y trato cuidadoso de herramientas eléctricas**
- a) **No sobrecargue la herramienta eléctrica. Use la herramienta eléctrica prevista para el trabajo a realizar.** Con la herramienta adecuada podrá trabajar mejor y más seguro dentro del margen de potencia indicado.
- b) **No utilice herramientas eléctricas con un interruptor defectuoso.** Las herramientas eléctricas que no se puedan conectar o desconectar son peligrosas y deben hacerse reparar.

- c) Desconecte el enchufe de la toma de corriente y/o, si es desmontable, retire el juego de acumuladores de la herramienta eléctrica antes de realizar cualquier ajuste, cambiar accesorios o guardar la herramienta eléctrica.** Esta medida preventiva reduce el riesgo de poner en funcionamiento accidentalmente la herramienta eléctrica.
- d) Guarde las herramientas eléctricas fuera del alcance de los niños. No permita la utilización de la herramienta eléctrica a aquellas personas que no estén familiarizadas con su uso o que no hayan leído estas instrucciones.** Las herramientas eléctricas utilizadas por personas inexpertas son peligrosas.
- e) Realice el mantenimiento de las herramientas eléctricas y los accesorios. Compruebe que no haya desalineación u obstrucción de las partes móviles de la herramienta eléctrica, ruptura de piezas y cualquier otra circunstancia que pueda afectar el funcionamiento de la herramienta eléctrica. Si sufre algún daño, haga reparar la herramienta eléctrica antes de volver a utilizarla.** Muchos de los accidentes se deben a herramientas eléctricas con un mantenimiento deficiente.
- f) Mantenga los útiles limpios y afilados.** Los útiles mantenidos correctamente se dejan guiar y controlar mejor.
- g) Utilice la herramienta eléctrica, accesorios, útiles, etc. de acuerdo a estas instrucciones, considerando en ello las condiciones de trabajo y la tarea a realizar.** El uso de herramientas eléctricas para trabajos diferentes de aquellos para los que han sido concebidas puede resultar peligroso.
- h) Mantenga secos, limpios y libres de aceite y grasa los mangos así como las superficies de agarre.** Los mangos y las superficies de agarre resbaladizas no permiten asegurar una manipulación y un control seguro de la herramienta en situaciones imprevistas.
- 5) Servicio**
- a) Únicamente haga reparar su herramienta eléctrica por un profesional, empleando exclusivamente piezas de repuesto originales.** Solamente así se mantiene la seguridad de la herramienta eléctrica.

## Instrucciones de seguridad.

**Si necesita aplicar líquido al taladrar, cuide que el líquido rebosante sea desviado fuera de la zona de trabajo o use un dispositivo apropiado para recoger líquidos.** Estas medidas de precaución evitan que se moje el área de trabajo y reducen el riesgo de electrocución.

**Use la herramienta eléctrica sujetándola por las áreas de agarre aisladas al realizar trabajos en los que el útil de corte pueda tocar líneas eléctricas ocultas, o el propio cable de red de ésta.** El contacto de un útil de corte con cables bajo tensión puede hacer que las partes metálicas del aparato le provoquen una descarga eléctrica.

**Utilizar un protector acústico al taladrar con percusión.** El efecto del ruido puede provocar sordera.

**Si el útil se atora, deje de presionarlo, y desconecte la herramienta eléctrica.** Investigue por qué se ha atorado y elimine la causa de ello.

**Si quiere arrancar de nuevo una unidad de taladrado con el útil dentro de la pieza de trabajo cheque primero si éste se puede girar libremente.** Si el útil está atorado puede que sea forzado si no puede girar, o puede provocar que la unidad de taladrado se suelte de la pieza de trabajo.

**Al taladrar en paredes o techos cuide que no corran peligro las personas ni el área de trabajo situados al otro lado.** La corona perforadora puede sobresalir del taladro y hacer que el núcleo de perforación caiga en el otro lado.



**No use esta herramienta para realizar trabajos por encima de la cabeza con aportación de líquido.** Puede exponerse a una descarga eléctrica si penetra líquido en la herramienta eléctrica.

**Deje sustituir de inmediato un manguera de protección del cable si esta dañada.** Una manguera de protección del cable defectuosa puede provocar un sobrecalentamiento de la máquina.

## Instrucciones de seguridad especiales.

**Utilice un equipo de protección. Dependiendo del trabajo a realizar use una protección para la cara o lentes de protección.**

**Utilice un protector acústico.** Los lentes de protección deberán ser apropiados para protegerle de los fragmentos que pudieran salir despedidos al trabajar. La exposición permanente al ruido puede provocar sordera.

**No toque los filos cortantes de la corona perforadora.** Podría lesionarse.

**Para evitar lesiones cheque las coronas perforadoras antes de comenzar el trabajo. Solo utilice coronas perforadoras que no estén dañadas ni deformadas.** Las coronas perforadoras dañadas o deformadas pueden acarrear graves lesiones.

**Antes de la primera puesta en marcha: Monte la guarda contra contacto en la máquina.**

**Siempre asegure la herramienta eléctrica con la cinta tensora suministrada.** Al realizar estos trabajos tenga cuidado con los objetos que pudieran caer, p. ej., núcleos de perforación o virutas.

**No utilice el depósito de refrigerante si tuviese que mantener el aparato en posición vertical o por encima de la cabeza al trabajar las piezas.** Emplee un spray de refrigeración en estos casos. La penetración de líquido en la herramienta eléctrica puede ocasionar una descarga eléctrica.

**Evite el contacto con el núcleo de perforación que el perno de centrado expulsa automáticamente al finalizar el trabajo.** Al ser golpeado por el núcleo, que además puede estar muy caliente, puede llegar a accidentarse.

**Únicamente conecte la herramienta eléctrica a tomas de corriente provistas de un contacto de protección reglamentario.**

**Solamente utilice cables de conexión en perfectas condiciones, y unas extensiones provistas de un contacto de protección sometidas a una inspección periódica.** Un cable de protección defectuoso puede provocar una descarga eléctrica.

**Para no lesionarse, siempre mantenga las manos, ropa, etc. alejadas de las virutas en rotación.** Las virutas pueden lesionarle. Siempre use la protección contra virutas.

**No intente retirar el útil mientras éste esté girando todavía.** Podría lesionarse gravemente.

**Preste atención a los conductores eléctricos y a las tuberías de agua y gas ocultas.** Antes de comenzar a trabajar explore la zona de trabajo, p. ej., con un detector de metales.

**No trabaje materiales que contengan magnesio.** Podría provocar un incendio.

**No trabaje CFRP (plástico reforzado con fibras de carbono) ni material que contenga amianto.** Estos materiales son cancerígenos.

**Esta prohibido fijar rótulos o señales a la herramienta eléctrica con tornillos o remaches.** Un aislamiento dañado no le protege de una electrocución. Emplee etiquetas autoadhesivas.

**No sobrecargue la herramienta eléctrica ni el maletín de protección y no se coloque encima de ellos.** Al sobrecargar o colocarse encima de la herramienta eléctrica o del maletín de transporte puede que se desplace hacia arriba su centro de gravedad y vuelquen.

**No use accesorios que no hayan sido especialmente desarrollados u homologados por el fabricante de la herramienta eléctrica.** El mero hecho de que sea montable un accesorio en su herramienta eléctrica no es garantía de que su funcionamiento sea seguro.

**Limpie periódicamente las rejillas de refrigeración de la herramienta eléctrica empleando herramientas que no sean de metal.** El ventilador del motor aspira polvo hacia el interior de la carcasa. En caso de acumularse polvo de metal en exceso, ello puede provocar al usuario una descarga eléctrica.

**Solo use para el transporte de la máquina cáncamos giratorios orientables. Verificar su sujeción firme tras montar el cáncamo.**

**Antes de la puesta en marcha inspeccione si están dañados el cable de red y el enchufe.**

**Siempre use la herramienta eléctrica en combinación con un interruptor de protección personal (\*) PRCD. Siempre controle el correcto funcionamiento del interruptor de protección personal (\*) PRCD antes de realizar los trabajos (ver página 83).**

## Tratamiento de materiales en polvo peligrosos.

**⚠ ADVERTENCIA** Al trabajar con herramientas, p. ej., al lijar, pulir, serrar o realizar otros trabajos con arranque de material, los polvos que se producen pueden ser nocivos para la salud, autoinflamables o explosivos.

El contacto o inspiración de ciertos materiales en polvo puede provocar en el usuario, o en las personas circundantes, reacciones alérgicas y/o enfermedades respiratorias, cáncer, daños congénitos u otros trastornos reproductivos.

A continuación, indicamos algunos de estos materiales junto con los productos químicos que contienen, cuyo polvo producido al bajar, puede ser nocivo para la salud:

- Amianto y materiales que contengan amianto;
- Pinturas que contengan plomo, ciertos tipos de madera como, p. ej., haya, encino y roble;
- Minerales y metales;
- Partículas de sílice de ladrillo, concreto y demás materiales que contengan mineral;
- Los solventes que contienen ciertas pinturas;
- Arsénico, cromo y otros conservadores de la madera;
- Materiales para combatir parásitos en cascos de botes o barcos;
- Polvos de acero inoxidable, de metales y de metales no férricos.

## Vibraciones en la mano/brazo.

**⚠ ADVERTENCIA** Al trabajar con esta herramienta eléctrica se producen vibraciones en la mano y el brazo. Ello puede llegar a afectar su salud.

Para que la exposición a estos materiales sea mínima:

- Utilice un equipo de aspiración apropiado para el polvo producido.
- Use equipos de protección personal como, por ejemplo, una mascarilla guardapolvo con un filtro de la clase P2.
- Observe que esté bien ventilado el puesto de trabajo.

El riesgo derivado de la inspiración de polvo depende de la frecuencia con la que se procesen estos materiales. Los materiales que contengan amianto solamente deberán ser procesados por especialistas.

**⚠ ATENCIÓN** El polvo de madera y el de aleaciones ligeras puede autoinflamarse o provocar una explosión.

Si en el saco filtrante o en el filtro del aspirador, el polvo caliente producido al lijar se mezcla con restos de pintura, poliuretano, u otras materias químicas, puede que ésta se autoincendie bajo condiciones desfavorables como, p. ej., el salto de chispas al lijar metales, la exposición permanente y directa al sol, o una temperatura ambiente elevada.

Para prevenir esta situación:

- Evite que se sobrecalienten la pieza de trabajo y la herramienta eléctrica.
- Vacíe el depósito de polvo con suficiente antelación.
- Observe las instrucciones de elaboración del fabricante del material.
- Considere las prescripciones sobre los materiales a trabajar.

**⚠ ADVERTENCIA** Las vibraciones generadas durante la aplicación actual de la herramienta eléctrica puede ser diferente del valor indicado, según el modo en que sea utilizada la herramienta.

**⚠ ADVERTENCIA** Con el fin de proteger al usuario, es necesario fijar medidas de seguridad en base a una estimación de la exposición resultante bajo las condiciones de uso actuales.

El nivel de vibraciones indicado en estas instrucciones ha sido determinado según el procedimiento de medición fijado en la norma EN 62841 y puede servir como base de comparación con otras herramientas eléctricas. También es adecuado para estimar provisionalmente la sollicitación experimentada por las vibraciones.

El nivel de vibraciones indicado ha sido determinado para las aplicaciones principales de la herramienta eléctrica. Por ello, el nivel de vibraciones puede ser diferente si la herramienta eléctrica se utiliza para otras aplicaciones, con útiles diferentes, o si el

mantenimiento de la misma fuese deficiente. Ello puede suponer un aumento drástico de la sollicitación por vibraciones durante el tiempo total de trabajo.

Para determinar con exactitud la sollicitación experimentada por las vibraciones, es necesario considerar también aquellos tiempos en los que el aparato esté desconectado, o bien, esté en funcionamiento, pero sin ser utilizado realmente. Ello puede suponer una disminución drástica de la sollicitación por vibraciones durante el tiempo total de trabajo.

Fije unas medidas de seguridad adicionales para proteger al usuario de los efectos por vibraciones, como por ejemplo: Mantenimiento de la herramienta eléctrica y de los útiles, conservar calientes las manos, organización de las secuencias de trabajo.


## Emisión de ruidos (Indicación de dos cifras según ISO 4871)

### Emisión de ruido

### JMU 404 M (\*\*)

Nivel de de presión sonora $L_{pA}$ (re 20 $\mu$ Pa), medido con filtro A en el puesto de trabajo, en decibelios	86.0
Inseguridad $K_{pA}$ , en decibelios	5
Nivel de potencia acústica $L_{WA}$ (re 1 pW), medido con filtro A, en decibelios	97.0
Inseguridad $K_{WA}$ , en decibelios	5
Valor pico del nivel de presión sonora $L_{pCpeak}$ medido con filtro C en el puesto de trabajo, en decibelios	98.5
Inseguridad $K_{pCpeak}$ , en decibelios	5
Promedio de vibraciones (taladrado con coronas)	
- $m/s^2$	< 1.4
- $ft/s^2$	4.56
Inseguridad $K$ , en	
- $m/s^2$	1.5
- $ft/s^2$	4.9

**OBSERVACIÓN:** la suma de los valores emitidos medidos, considerando la inseguridad respectiva, representa el límite superior que puede alcanzarse en las mediciones.

 ¡Utilizar unos protectores acústicos!

Valores de medición determinados según normativa del producto pertinente.

## Extensiones.

**⚠ ADVERTENCIA** En caso de utilizar una extensión, la longitud y la sección de la línea deberá ser la correcta para el trabajo a realizar para evitar una caída de tensión en la línea, una reducción

de la potencia, y el sobrecalentamiento de la herramienta eléctrica. De lo contrario, se presentan peligros de origen eléctrico en la extensión y en la herramienta eléctrica, además de reducirse sus prestaciones.

## Utilización reglamentaria de la herramienta eléctrica:









Unidad de taladrado para uso con útiles y accesorios homologados por FEIN en lugares cubiertos, para taladrar con coronas y brocas, rimar, avellanar y roscar en materiales con superficies magnetizables.












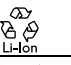





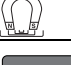



## Alimentación de la herramienta eléctrica con un grupo electrógeno.










⚠ Esta herramienta eléctrica es apta además para ser utilizada con grupos electrógenos de alterna siempre que dispongan de suficiente potencia y cumplan los requisitos según norma ISO 8528 para la clase de ejecución G2. Deberá prestarse especial atención a no sobrepasar el coeficiente de distorsión máximo del 10 % establecido en dicha norma. En caso de duda consulte los datos del grupo utilizado por Ud.

**⚠ ADVERTENCIA** Esta prohibido conectar la herramienta eléctrica a generadores de corriente cuya tensión en vacío sea superior a la tensión indicada en la placa de características de la herramienta eléctrica.

## Simbología.

Símbolo	Definición
	Es imprescindible leer los documentos que se adjuntan, como las instrucciones de servicio y las instrucciones generales de seguridad.
	¡Seguir las instrucciones indicadas al margen!
	¡Seguir las instrucciones indicadas al margen!
	Antes de realizar el paso de trabajo descrito, sacar el enchufe de la red. En caso contrario, podría accidentarse al ponerse en marcha fortuitamente la herramienta eléctrica.
	Al trabajar protegerse los ojos.
	Al trabajar utilizar un protector acústico.
	No tocar las piezas en rotación de la herramienta eléctrica.
	Atención a los cantos agudos de los útiles como, p. ej., los filos de las cuchillas.

<b>Símbolo</b>	<b>Definición</b>
	¡Peligro de resbalamiento!
	¡Peligro de magulladura!
	¡Atención, posible caída de objetos!
	¡Superficie muy caliente!
	¡No tocar!
	¡Amarrar con la correa!
	Símbolo de prohibición general. Esta acción está prohibida.
	Este símbolo confirma que este producto ha sido certificado en USA y Canadá.
	Este símbolo advierte sobre una situación peligrosa inminente. Un comportamiento incorrecto puede dar lugar a una lesión grave o incluso mortal.
	Este símbolo advierte sobre una situación peligrosa que puede comportar lesiones graves o mortales.
	Este símbolo advierte sobre una situación peligrosa en la que pudiera lesionarse.
	Símbolo de reciclaje: identificación de materiales reciclables
	Acumular por separado las herramientas eléctricas y demás productos electrotécnicos y eléctricos inservibles y someterlos a un reciclaje ecológico.
	Acero
	Baja velocidad
	Alta velocidad
	Fuerza de sujeción magnética, suficiente
	Fuerza de sujeción magnética, insuficiente
	El interruptor de protección personal (*) PRCD está conectado, la lámpara de control se enciende de color rojo.
	El interruptor de protección personal (*) PRCD está desconectado, la lámpara de control está apagada.
	Paso de líquido cerrado.

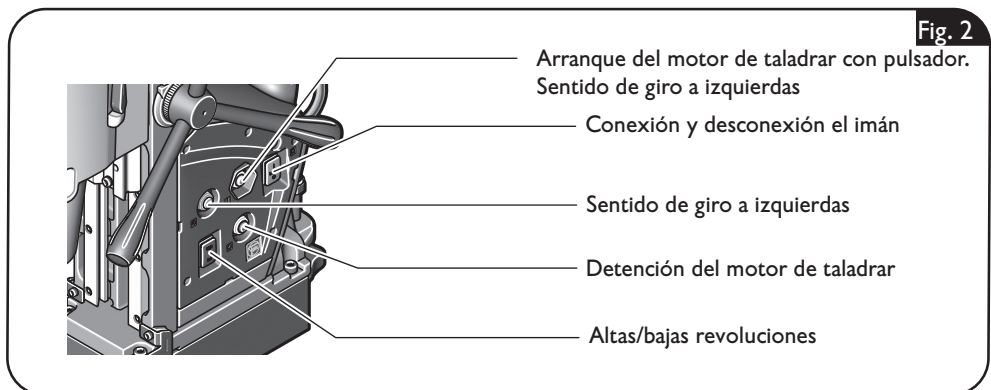
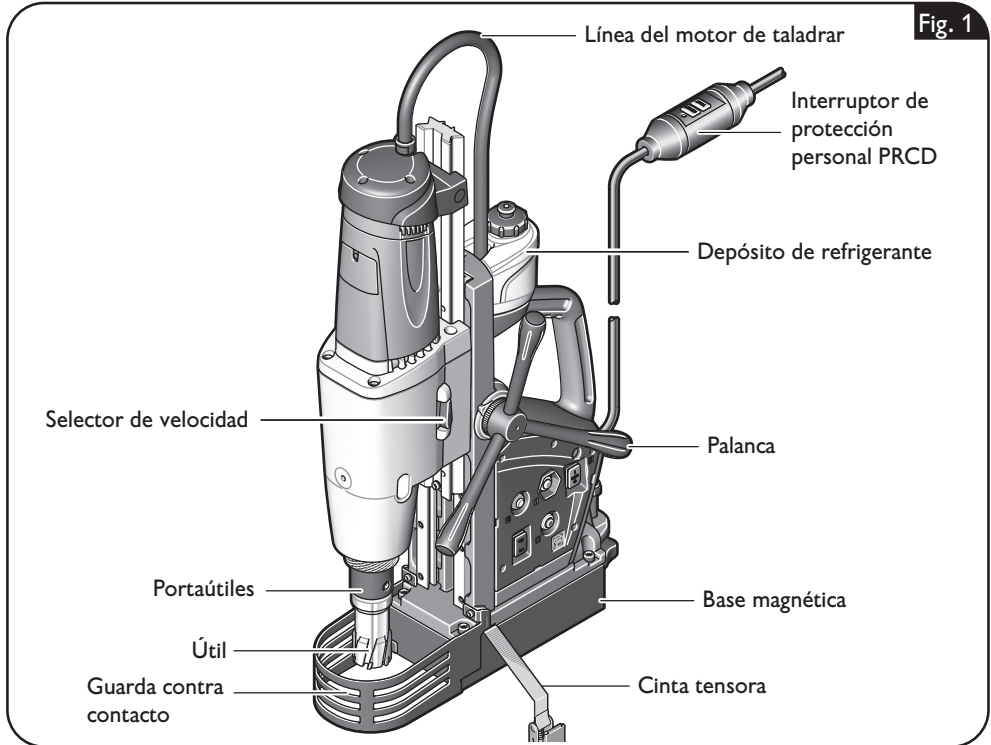
<b>Símbolo</b>	<b>Definición</b>
	Paso de líquido abierto.
	Arranque del motor de taladrar. Giro a derechas
	Detención del motor
	Arranque del motor de taladrar. Giro a derechas
	Arranque del motor de taladrar. Giro a izquierdas
	Detención del motor
	Conexión/desconexión del imán
	altas/bajas revoluciones
	Producto dotado con un aislamiento base además de tener conectadas al conductor de tierra las piezas conductoras de corriente susceptibles de ser tocadas.
(**)	Puede contener cifras o letras

<b>Símbolo</b>	<b>Unidad nacional</b>	<b>Definición</b>
$n_0$	rpm; /min; $\text{min}^{-1}$ ; r/min	Revoluciones en vacío
$P$	W	Unidad de medida de la potencia
	°	Unidad de medida del ángulo
$U$	V	Unidad de medida de la tensión eléctrica
$f$	Hz	Unidad de medida de la frecuencia
$I$	A	Unidad de medida de la intensidad
$m$	lbs	Unidad de medida de la masa
$l$	ft, in	Unidad de medida para la longitud, ancho, altura, profundidad, diámetro o roscas
$\varnothing$	ft, in	Diámetro de una pieza redonda
$K...$		Incertidumbre
$a$	$\text{m/s}^2$	Nivel de vibraciones generadas según EN 62841 (suma vectorial de tres direcciones)
	m, s, kg, A, mm, V, W, Hz, N, °C, dB, min, $\text{m/s}^2$	Unidades básicas y unidades derivadas del sistema internacional de unidades <b>SI</b> .

## Descripción técnica y especificaciones.

**⚠ ADVERTENCIA** Saque la clavija del enchufe antes de montar o cambiar los útiles y accesorios. Esta medida de seguridad preventiva evita los accidentes que pudieran presentarse en caso de una puesta en marcha involuntaria.

El material de serie suministrado con su herramienta eléctrica puede que no corresponda en su totalidad al material descrito o mostrado en estas instrucciones de servicio.



<b>Tipo</b>	<b>JMU 404(**)</b>
N° de referencia	7 270 ... / 7 273 ...
Corriente absorbida	15.0 A
1. velocidad altas revoluciones	190 rpm
1. velocidad bajas revoluciones	100 rpm
2. velocidad altas revoluciones	290 rpm
2. velocidad bajas revoluciones	160 rpm
3. velocidad altas revoluciones	500 rpm
3. velocidad bajas revoluciones	270 rpm
4. velocidad altas revoluciones	750 rpm
4. velocidad bajas revoluciones	420 rpm
Diámetro de taladro en acero - metal duro (corona perforadora)	1/2 in – 4 in 12 mm – 100 mm
Diámetro de taladro en acero - metal duro (corona perforadora)	1/2 in – 3 1/8 in 12 mm – 80 mm
Diámetro de taladro en acero - acero de corte de alto rendimiento (broca helicoidal)	1 9/16 in 40 mm
Taladro para roscar	1 3/8 in
Diámetro de rima	1 3/8 in 36 mm
Diámetro avellanar	2 3/8 in 60 mm
Peso según EPTA-Procedure 01	86.0 lbs / 79.4 lbs (39.0 kg) / (36.0 kg)
Clase de protección	I
Temperatura ambiente admisible	23°F ... 104°F -5°C ... +40°C



## Instrucciones de montaje.

**⚠ ADVERTENCIA** Saque la clavija del enchufe antes de montar o cambiar los útiles y accesorios. Esta medida de seguridad preventiva evita los accidentes que pudieran presentarse en caso de una puesta en marcha involuntaria.

### Llenado del depósito de refrigerante.

**⚠ ADVERTENCIA** Evite que el líquido que escurre por la línea llegue a penetrar en el enchufe o en la unidad de taladrado, ya que podría exponerse a una descarga eléctrica. Haga un bucle en la línea, antes del enchufe, para permitir que el líquido gotee de la línea.

No utilice la unidad de taladrado si estuviese defectuoso el sistema de aportación de refrigerante. Verifique **antes de cada operación** la hermeticidad y la existencia de posibles fisuras en las mangueras. Evite que penetren líquidos en las piezas eléctricas.

Como refrigerante utilice exclusivamente taladrina (**emulsión de aceite en agua**).

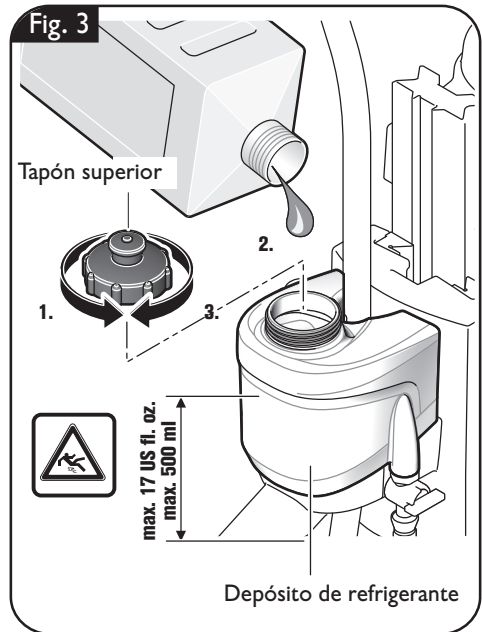
Preste atención a las instrucciones del fabricante del agente refrigerante.

### Llenado del depósito de refrigerante, montado (Figura 3)

Desenrosque la tapa de cierre del depósito de refrigerante.

Llene líquido lubricante refrigerante apropiado para ser bombeado, p. ej., aceite de corte Slugger.

Vuelva a cerrar el tapón del depósito de refrigerante.



### Llenado del depósito de refrigerante, desmontado (Figura 4)

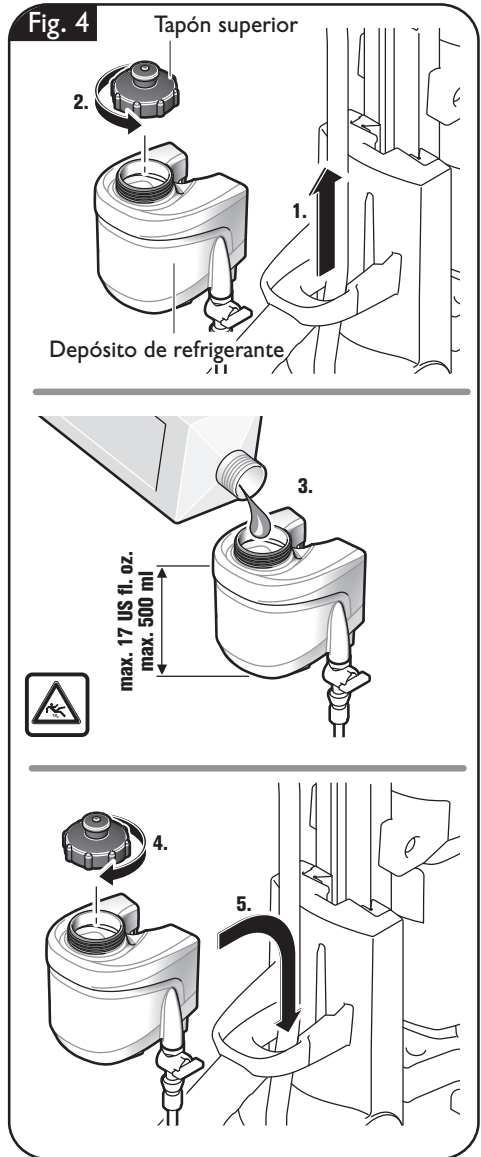
Saque el depósito de refrigerante vacío de la carcasa del soporte de taladrar de la unidad de taladrado.

Desenrosque la tapa de cierre del depósito de refrigerante.

Llene líquido lubricante refrigerante apropiado para ser bombeado, p. ej., aceite de corte Slugger.

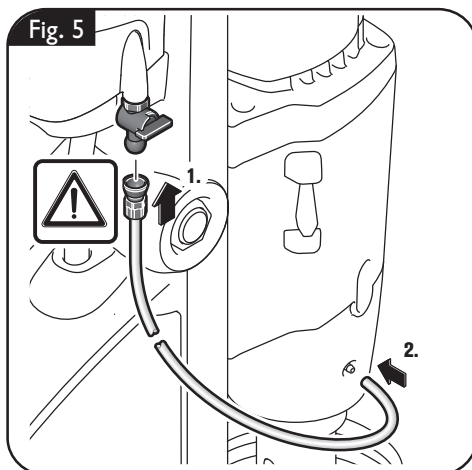
Vuelva a cerrar el tapón del depósito de refrigerante.

Una vez llenado, monte el depósito de refrigerante en el soporte previsto para tal fin en la carcasa del soporte de taladrar.



## Montaje de la manguera de refrigerante (Figura 5).

Conecte la manguera de refrigerante.



## Cambio de útil.

**ADVERTENCIA** Siempre asegure la herramienta eléctrica con la cinta tensora suministrada. La fuerza de sujeción magnética se anula en caso de un corte de luz o al sacar la clavija de la red.

**ADVERTENCIA** Antes de montar o cambiar los útiles y accesorios apague la máquina y saque la clavija del enchufe (¡no al trabajar por encima de la cabeza!). Esta medida de seguridad preventiva evita los accidentes que pudieran presentarse en caso de una puesta en marcha accidental.

### Corona perforadora (Figura 6)

Afloje ambos tornillos del portaútiles con una llave allen.

Pase el perno de centrado por la corona perforadora.

Monte la corona perforadora con el perno de centrado en el portaútiles.

Apriete ambos tornillos del portaútiles contra los planos fresados del vástago del útil, empleando para ello la llave allen.

Al taladrar con coronas de una longitud de 100 mm, una vez profundizado hasta aprox. 60 mm con la espiga de centrado de 200 mm, cámbiela por la espiga de centrado de 135 mm de longitud.

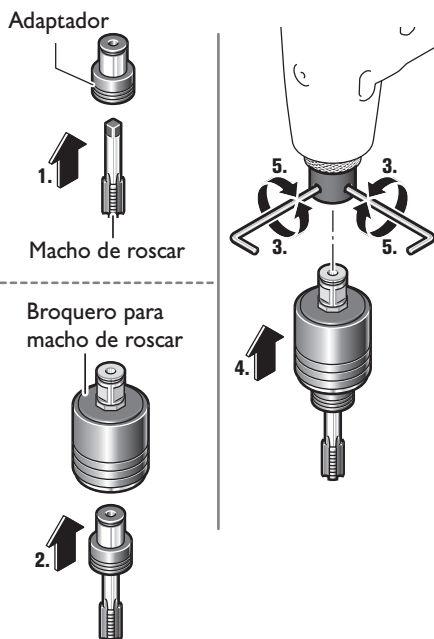
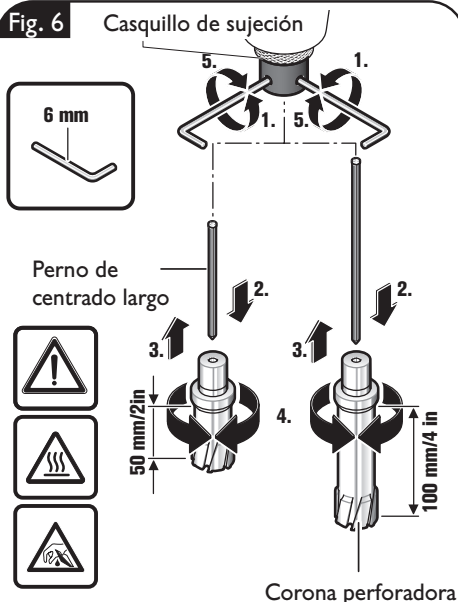
**No toque los filos cortantes de la corona perforadora.** Podría lesionarse.

### Macho de roscar (Figura 6)

Afloje ambos tornillos del portaútiles con una llave allen.

Introduzca el macho de roscar en el adaptador y monte éste en el broquero para machos de roscar.

Apriete ambos tornillos del portaútiles contra los planos fresados del vástago del útil, empleando para ello la llave allen.



**Broquero (Figura 7)**

Afloje ambos tornillos del portaútiles con una llave allen.

Introduzca el broquero en el portaútiles.

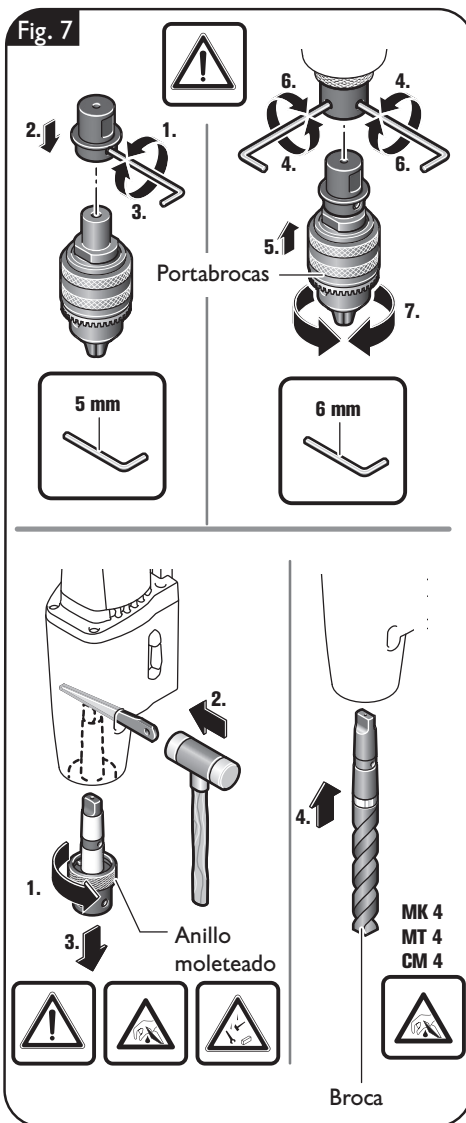
Apriete ambos tornillos del portaútiles contra el vástago del broquero empleando la llave allen.

**Broca (Figura 7)**

!La tuerca de bloqueo es de rosca a izquierdas, girarla a derechas para aflojarla!

Afloje la tuerca de bloqueo y emplee la cuña extractora para desmontar el portaútiles.

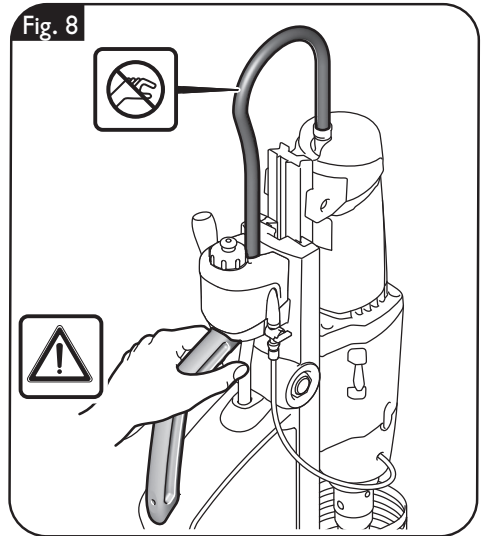
Limpie el cono interior del eje motriz y monte la broca.



## Instrucciones para la operación.

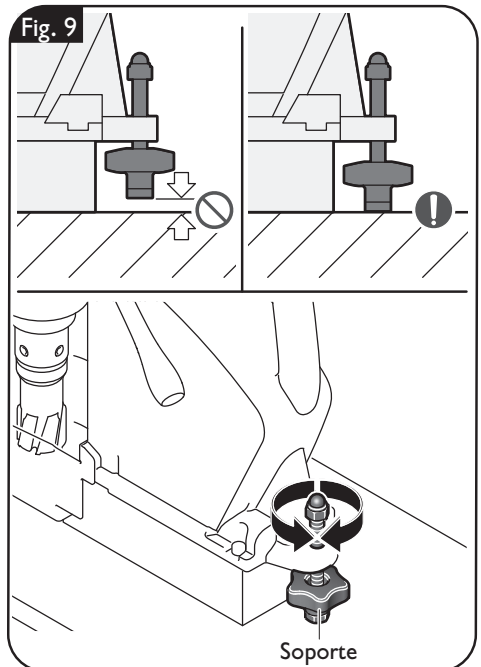
**⚠ ADVERTENCIA** Siempre asegure la herramienta eléctrica con la cinta tensora suministrada. La fuerza de sujeción magnética se anula en caso de un corte de luz o al sacar la clavija de la red.

**⚠** Siempre transporte la máquina sujetándola por la agarradera y no por el cable del motor.



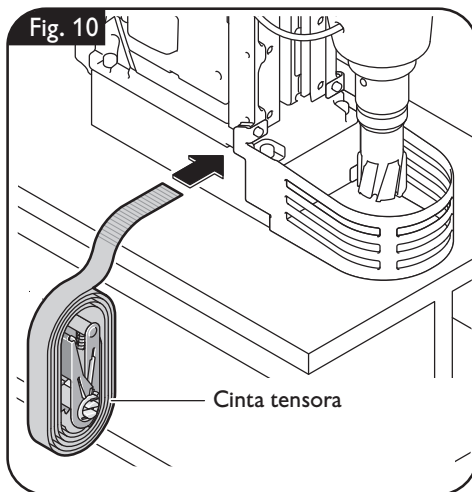
### Soporte (Figura 9).

Use el soporte al taladrar con coronas. Al taladrar con coronas se puede producir un contragolpe que haga volcar la unidad de taladrado. El soporte se encarga de que quede firmemente sujeta.



## Sujeción de la cinta tensora (Figura 10)

Siempre amarre la máquina a la pieza de trabajo con la cinta tensora suministrada.



## Conexión del imán (Figura 11).

Observe que la superficie de fijación de la base magnética sea plana y que esté limpia y libre de óxido y de hielo. Elimine la pintura, capas de masilla y demás materiales que pudieran existir. Cuide que no haya espacios de aire entre la base magnética y la superficie de sujeción. Los espacios de aire reducen la fuerza magnética de sujeción.

No use esta máquina sobre superficies calientes ya que ello podría reducir para siempre la fuerza de sujeción magnética.

Siempre trabaje empleando la base magnética, cuidando que la fuerza de sujeción de ésta sea suficiente.

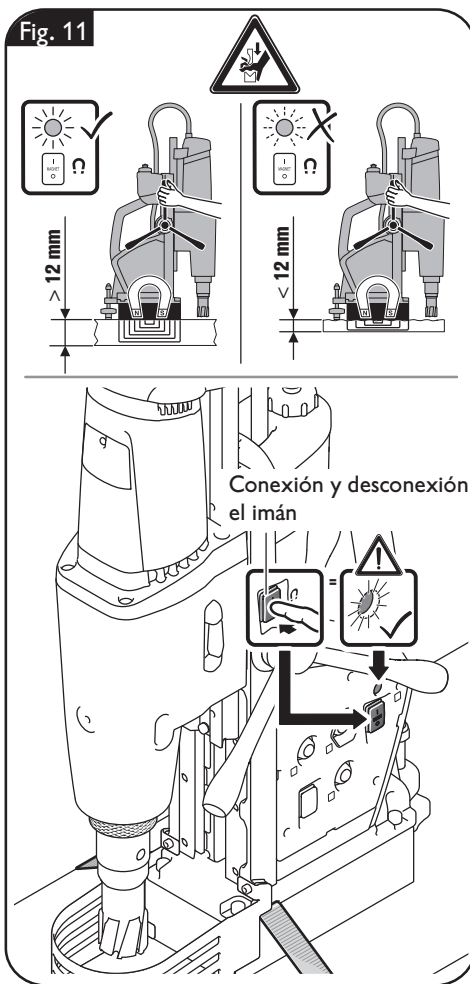
- Si el piloto verde luce permanentemente es muy probable que la fuerza de sujeción sea suficiente y la máquina puede operarse con **avance normal**.
- Si el piloto verde parpadea puede que la fuerza de sujeción no sea suficiente y la máquina deberá operarse con **avance reducido**.

También al trabajar piezas de acero, si su grosor es menor de 12 mm, deberá suplementarse la pieza de trabajo con una placa de acero adicional para garantizar una fuerza de sujeción magnética suficiente.

Solo aplique la fuerza de avance mínima necesaria para trabajar. Una fuerza de avance excesiva puede provocar la rotura del útil y hacer que se desprenda la base magnética.

Si la alimentación se corta con el motor en marcha, un circuito de electrónico se encarga de evitar la puesta en marcha automática del mismo. Vuelva a conectar el motor. Solamente accione la etapa de velocidad con el motor detenido o encontrándose éste en marcha por inercia tras su desconexión. No detenga el motor de taladrar durante el proceso de perforación. Únicamente sacar la corona de la perforación con el motor de taladrar en marcha. Si la corona perforadora llega a atorarse en el material, detenga el motor de taladrar y vaya sacando la corona perforadora girándola con cuidado en sentido contrario a las agujas del reloj. Al terminar de taladrar retire las virutas y el núcleo resultante de la perforación. No toque las virutas con la mano desprotegida. Siempre realice esto auxiliándose de un gancho. ¡Peligro de quemadura! La superficie del imán puede alcanzar temperaturas muy

elevadas. No toque el imán directamente con las manos. Al cambiar la broca no dañe sus filos. Al perforar materiales compuestos por capas de diferente material, vaya retirando el núcleo y las virutas a medida que va traspasando cada capa. No utilice la unidad de taladrado si estuviese defectuoso el sistema de aportación de refrigerante. Verifique la hermeticidad y la existencia de posibles fisuras en las mangueras. Evite que penetren líquidos en las piezas eléctricas.





## Ajuste del recorrido (Figura 12).

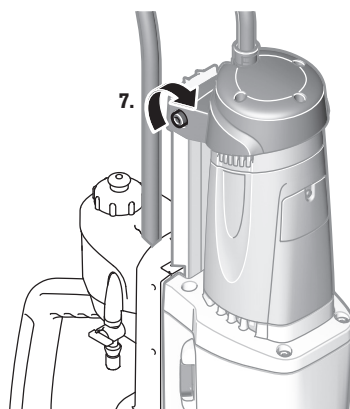
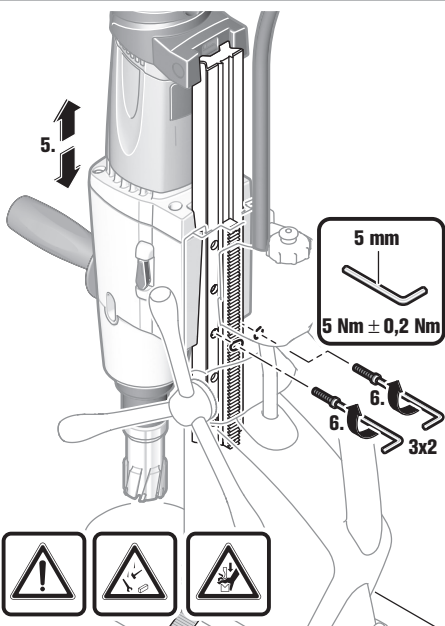
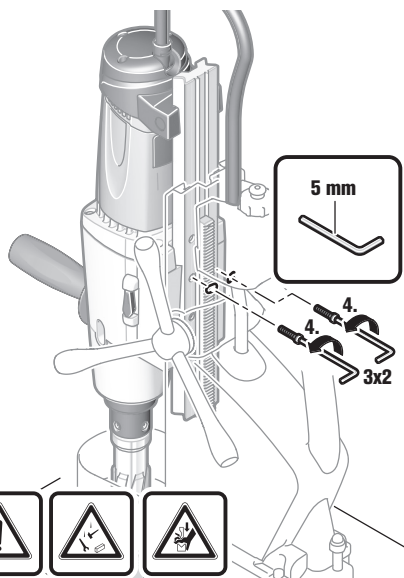
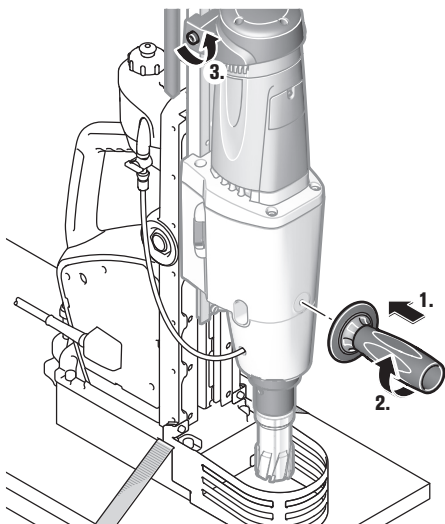
Monte la agarradera y afloje el tornillo de arriba.

Retire los tornillos del centro con una llave allen.



Ajuste la carrera a la posición de trabajo que Ud. desee y vuelva a apretar los tornillos.

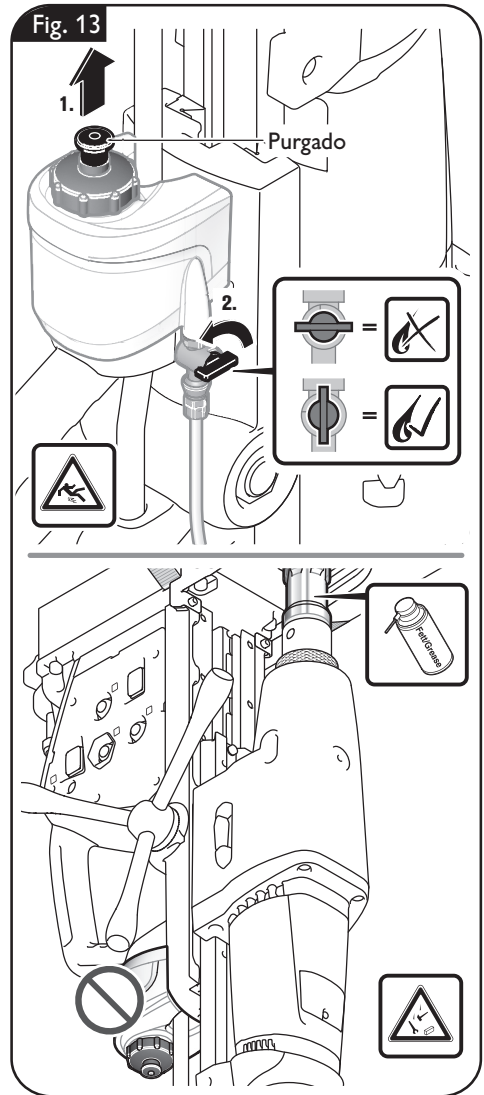
Apriete de nuevo el tornillo de arriba.

Fig. 12



## Conexión y desconexión del refrigerante (Figura 13).

-  Para dejar circular el refrigerante abra primero el purgador y gire la llave de paso a la posición mostrada.
-  Al desconectar el aparato o realizar trabajos por encima de la cabeza corte el paso de refrigerante. Cierre el purgador y gire la llave de paso a la posición mostrada. Al realizar trabajos por encima de la cabeza emplee pasta refrigerante Sluggor.



## Interruptor de protección personal (\*) PRCD (Figura 14).

El interruptor de protección personal PRCD ha sido especialmente pensado para protegerle a Ud., por ello, **no** lo utilice como interruptor de conexión y desconexión.

No siga usando el interruptor de protección personal PRCD si éste estuviese dañado, p. ej., debido al contacto con agua.

El interruptor de protección personal se deberá usar siempre, ya que protege al usuario de la herramienta eléctrica de una descarga eléctrica. Durante la operación normal el piloto del interruptor de protección personal se ilumina de color rojo.

Antes de comenzar a trabajar compruebe el funcionamiento correcto del interruptor de protección personal:

1. Conecte el enchufe del interruptor de protección personal a la red.
2. Accione el botón RESET. El piloto del interruptor de protección personal se enciende de color rojo.
3. Saque el enchufe de la toma de corriente. El piloto rojo se apaga.
4. Repita los pasos 1. y 2.
5. Presione el botón TEST; el piloto rojo se deberá apagar. Si el piloto rojo no se apaga, no ponga en marcha la máquina. Contacte en este caso al servicio técnico.
6. Accione el botón RESET; si el piloto se pone de color rojo puede conectarse entonces la herramienta eléctrica.

**No utilice el interruptor de protección personal para conectar y desconectar la herramienta eléctrica.**

Fig. 14



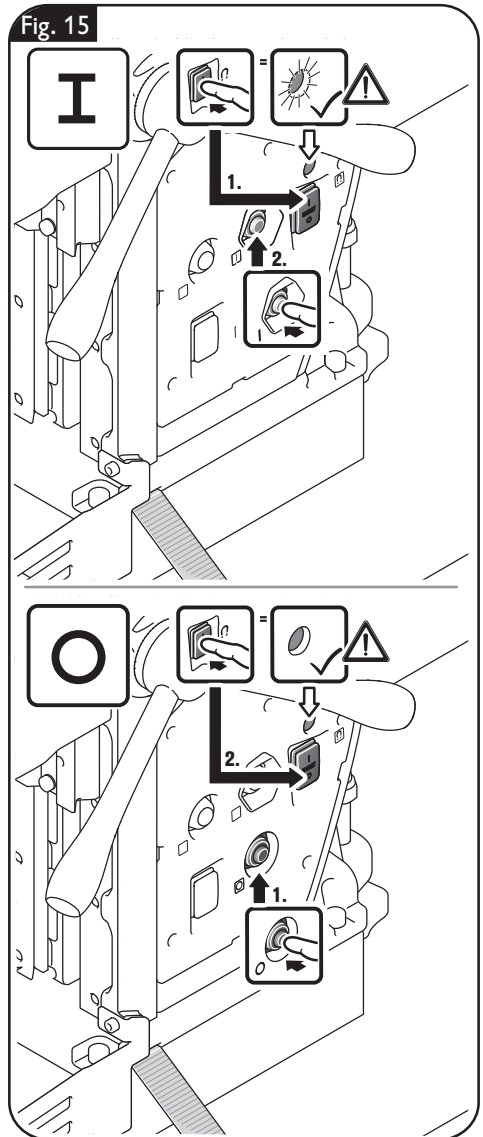
**Encendido/apagado (Figura 15).**

Active primero el imán antes de realizar la conexión. Para ello accione el switch del imán.


Conecte el aparato de acuerdo al trabajo que desee realizar.

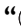

Desconecte el aparato una vez finalizado el trabajo.


Desactive el imán tras la desconexión. Para ello, accione el switch del imán.



## Encendido y apagado del motor de taladrar (Figura 16).

Para arrancar el motor de taladrar con giro a derechas presione la tecla con el símbolo “”.

Para arrancar el motor de taladrar con giro a izquierdas, pulse las teclas con los símbolos “ y ”.

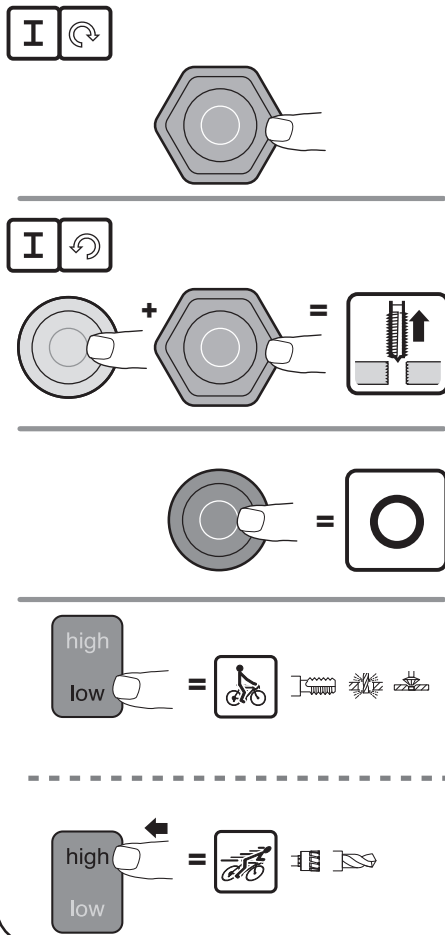
Para apagar el motor de taladrar pulse la tecla “”.

No detenga el motor de taladrar durante la perforación.

Si la alimentación se corta con el motor de taladrar en marcha, un circuito de electrónico se encarga de evitar la puesta en marcha automática del mismo. Vuelva a conectar el motor de taladrar.

**En caso de sobrecargar el motor de taladrar éste se desconecta y tiene que arrancarse de nuevo.**

Fig. 16



## Conmutación de la etapa velocidad (figura 17).

El selector de velocidad le permite seleccionar las revoluciones y, con ello, el torque.

Seleccione la etapa velocidad, ya sea con el aparato detenido, o estando éste en marcha por inercia tras su desconexión.

Existe un selector de velocidad tanto en el lado izquierdo como en el derecho.

Para efectuar la conmutación saque los switch de la cavidad girándolos 90°. Manteniéndolos en esa posición desplácelos hasta el tope. Seguidamente vuelva a girar los switch dentro de las cavidades.

1. velocidad: Girar ambos switch en sentido contrario a los puntos. Esta velocidad es apropiada para trabajar a bajas revoluciones con un torque elevado. Este ajuste es adecuado para taladrar con brocas o coronas de gran diámetro, para roscar y rimar.

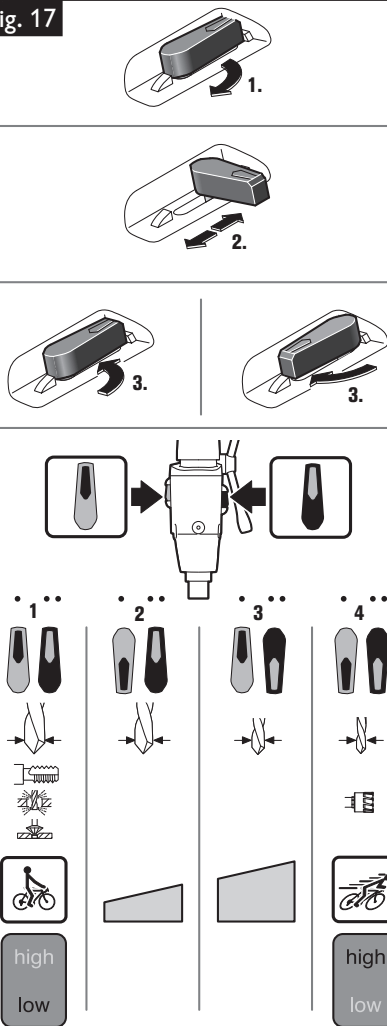
2. velocidad: Girar el switch izquierdo a la posición con el punto y el switch derecho en dirección contraria a los dos puntos.

3. velocidad: Girar el switch izquierdo en dirección opuesta al punto y el switch derecho hacia la posición con los dos puntos.

4. velocidad: Girar ambos switch en dirección a los puntos. Esta velocidad es adecuada para trabajar a altas revoluciones con un torque pequeño. Esta velocidad es apropiada para brocas de pequeño diámetro.

En cada etapa de velocidad ajustada es posible seleccionar la operación con bajas “low” y altas “high” revoluciones.

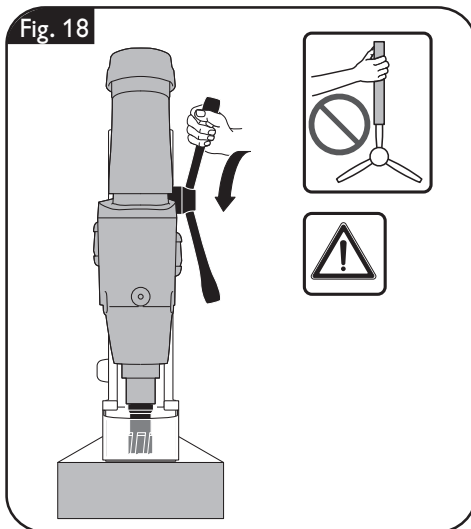
Fig. 17



	Ø in					Fe 400
	3/8-4	23/4-31/16	19/16-211/16	1/2-11/2	1/2-13/16	
high	120	170	300	430	rpm / load	HM Carbide
	23/8-31/8	19/16-25/16	11/4-11/2	1/2-13/16		HSS
	11/4-19/16	15/16-19/16	5/8-7/8	3/8-9/16		HSS
low	60	90	150	230	rpm / load	
	11/8-13/8	13/16-1	9/16-3/4	5/16-1/2		
	11/8-11/16	3/4-11/16	11/2-11/16	5/16-7/16		
	11/16-23/8	7/8-13/8	5/8-13/16	3/8-9/16		

### Avance (figura 18).

Solo aplique la fuerza de avance mínima necesaria para trabajar. Una fuerza de avance excesiva puede provocar la rotura del útil y hacer que se desprenda la base magnética. Avance el motor de taladrar conectado girando a mano la palanca.



## Indicaciones para taladrar con coronas.

Únicamente sacar la corona de la perforación con el motor en marcha.

Si la corona perforadora llega a atascarse en el material, detenga el motor de taladrar, y vaya sacando la corona perforadora girándola con cuidado en sentido contrario a las agujas del reloj.

Al terminar de taladrar retire las virutas y el núcleo resultante de la perforación.

**!** No toque las virutas con la mano desprotegida. Siempre use un gancho para virutas (6 42 01 001 00 0).

**⚠ ATENCIÓN** ¡Peligro de quemadura! La superficie del imán puede alcanzar temperaturas muy elevadas. No toque el imán directamente con las manos. Al taladrar material compuesto de varias capas utilice una corona perforadora Slugger ID apropiada para ello.

Al cambiar la broca no dañe sus filos.

Al taladrar materiales compuestos por capas de diferente material con coronas perforadoras, vaya retirando el núcleo y las virutas a medida que va traspasando cada capa.

Aviso de fallo/comportamiento del piloto del imán	Significado	Solución
Indicador verde encendido	Fuerza de sujeción magnética posiblemente suficiente.	
El indicador parpadea (1 Hz)	La fuerza de sujeción magnética puede ser insuficiente.	Al trabajar en materiales de acero de un grosor inferior a 12 mm es necesario reforzarlos con una placa de acero adicional para asegurar que sea suficiente la fuerza magnética de sujeción.
El indicador parpadea (5 Hz)	<ul style="list-style-type: none"> <li>- Imán defectuoso</li> <li>- Tensión de red incorrecta</li> <li>- Temperatura excesiva del motor</li> </ul>	<ul style="list-style-type: none"> <li>- Reparar imán</li> <li>- Asegurarse de que la tensión de red sea la correcta</li> <li>- Dejar enfriar el motor</li> </ul>

## Sobretemperatura

Margen de temperatura	Significado
Temperatura > Tg1	Revoluciones de enfriamiento muy bajas, sin potencia
Temperatura < Tg1	El motor se desconecta y se puede rearrancar
Temperatura > Tg2	El motor se desconecta, el indicador parpadea a 5 Hz; El motor se debe enfriar por debajo de Tg2 para poderlo volver a conectar
Temperatura entre Tg1 y Tg2	Revoluciones de enfriamiento sin potencia
Tg1, Tg2: Temperaturas límite	

Si al arrancar el motor en la posición LOW solo se dispone de una potencia reducida, ello indica que el sensor de temperatura está defectuoso. Si esto ocurre con frecuencia acuda al servicio técnico.



## Reparación y servicio técnico.

**⚠ ADVERTENCIA** Saque la clavija del enchufe antes de montar o cambiar los útiles y accesorios. Esta medida de seguridad preventiva evita los accidentes que pudieran presentarse en caso de una puesta en marcha involuntaria.

### Piezas sustituibles.

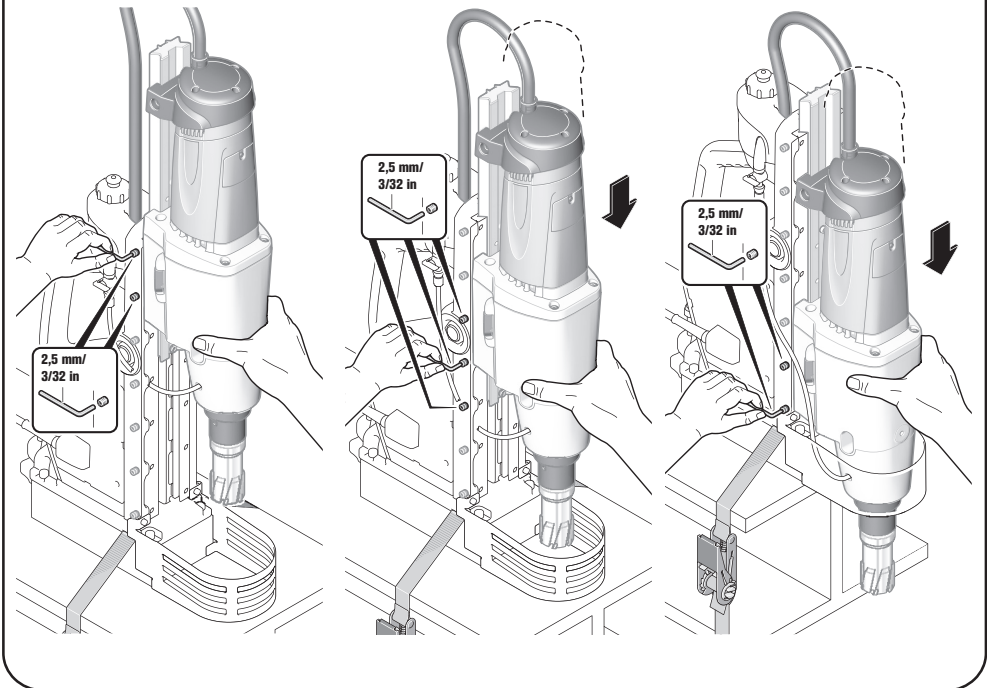
Si fuese preciso, puede sustituir Ud. mismo las piezas siguientes:

Útiles, depósito de refrigerante, guarda contra contacto

### Guía del motor de taladrar (figura 19).

Con el uso de la máquina puede ir aumentando la holgura en la guía del motor de taladrar. Esto puede dar lugar a que el taladro se deslice por sí mismo a lo largo de la guía del motor de taladrar. Esto puede dificultar el trabajo con la máquina. En ese caso, apriete con cuidado todos los tornillos de ajuste de la guía del motor de taladrar de forma que el taladro pueda desplazarse fácilmente a mano, pero sin que logre deslizarse hacia abajo por su propio peso.

Fig. 19



## Servicio técnico.

**⚠ ADVERTENCIA** Únicamente deje realizar los trabajos de mantenimiento por un profesional. Las líneas y componentes mal montados pueden suponer un grave peligro, Deje efectuar el servicio requerido por un servicio técnico Slugger.

**⚠ ATENCIÓN** En caso de que se dañe la línea de la herramienta eléctrica es necesario sustituirla por una línea de refacción original adquirible a través de uno de los servicios técnicos Slugger.

Solo emplee refacciones originales.

La lista de piezas de refacción actual para esta herramienta eléctrica la encuentra en internet bajo [www.fein.com](http://www.fein.com).

## Limpieza.

**⚠ ADVERTENCIA** Con el fin de evitar accidentes, saque de la alimentación la clavija de la herramienta eléctrica antes de realizar en la misma cualquier tipo de trabajo de limpieza o de mantenimiento.

**⚠ ADVERTENCIA** Al trabajar en ambientes cargados con polvo conductor de corriente, p. ej., en lugares que procesen metales, este polvo puede llegar a depositarse en el interior de la herramienta eléctrica. Por ello, sople con regularidad desde afuera aire comprimido seco por las rejillas de refrigeración para limpiar el interior de la herramienta eléctrica; utilice siempre unos lentes de protección.

**⚠ ATENCIÓN** No intente limpiar las rejillas de refrigeración de la herramienta eléctrica con objetos metálicos en punta, emplee para ello objetos que no sean de metal.

**⚠ ATENCIÓN** No aplique agentes de limpieza ni disolventes que pudieran atacar a las piezas de plástico. Algunos de ellos son: Gasolina, tetracloruro de carbono, disolventes que contengan cloro, amoniaco, o detergentes domésticos que contengan amoniaco. Sustituya las etiquetas y las advertencias de peligro autoadhesivas en la herramienta eléctrica si ya no son legibles.

### Circuito de refrigeración.

Enjuague el circuito de refrigeración con agua, límpielo, y vacíelo completamente si tiene previsto no utilizar la máquina durante más de dos semanas.

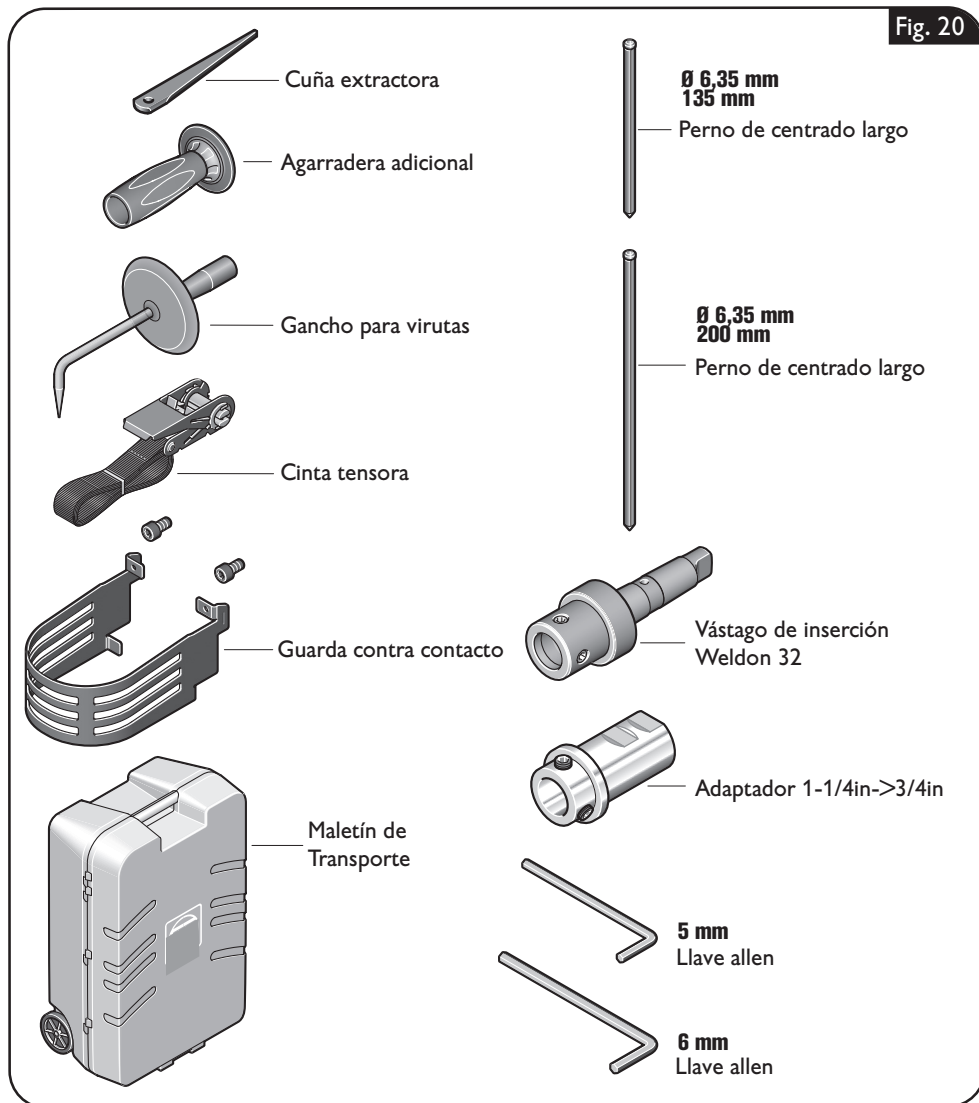
## Garantía.

La garantía del producto se realiza de acuerdo a las regulaciones legales vigentes en el país de adquisición.

## Protección del medio ambiente, eliminación.

Las herramientas eléctricas y los accesorios inservibles deberán entregarse a los puntos encargados de su reciclaje ecológico. Para más informaciones consulte a su comercio especializado habitual.

## Accesorios incluidos en el suministro (figura 20).





**USA**

FEIN Power Tools, Inc.  
1000 Omega Drive  
Suite 1180  
Pittsburgh, PA 15205  
[www.feinus.com](http://www.feinus.com)

**Canada**

FEIN Canadian Power Tool Company  
323 Traders Boulevard East  
Mississauga, Ontario L4Z 2E5  
[www.fein.ca](http://www.fein.ca)

**FEIN Service**

FEIN Power Tools, Inc.  
2735 Hickory Grove Road  
Davenport, IA 52804  
[magdrillrepair@feinus.com](mailto:magdrillrepair@feinus.com)

**Headquarter**

C. & E. Fein GmbH  
Hans-Fein-Straße 81  
D-73529 Schwäbisch Gmünd-Bargau  
[www.fein.com](http://www.fein.com)

