

**WSG8-115 (\*\*)**

**WSG8-125 (\*\*)**

**WSG11-125 (\*\*) / R (\*\*) / RT (\*\*)**

**WSG11-150 (\*\*) / R (\*\*) / RT (\*\*)**

**WSG12-125P (\*\*) / PQ (\*\*)**

**WSG15-125P (\*\*) / PQ (\*\*) / PR (\*\*) / PRT (\*\*)**

**WSG15-70 Inox (\*\*)**

**WSG17-125P (\*\*) / PQ (\*\*) / PS (\*\*) / PSQ (\*\*) / PR (\*\*) / PRT (\*\*)**

**WSG17-150P (\*\*) / PQ (\*\*) / PR (\*\*) / PRT (\*\*)**

**WSG17-70 Inox (\*\*) / InoxR (\*\*) / InoxRT (\*\*)**

**7 222 ...**

**en**

Instruction Manual

**fr**

Mode d'emploi


**es**

Instrucciones de uso



## For your safety.

**⚠ WARNING** **Read all safety warnings and all instructions.** Failure to follow the warnings and instructions may result in electric shock, fire and/or serious injury. **Save all warnings and instructions for future-reference.**

 Do not use this power tool before you have thoroughly read and completely understood this Instruction Manual, including the figures, specifications, safety regulations and the signs indicating DANGER, WARNING and CAUTION.

Only carry out such operations with this power tool as intended for by FEIN. Only use application tools and accessories that have been released by FEIN.

Please also observe the relevant national industrial safety regulations.

Non-observance of the safety instructions in the said documentation can lead to an electric shock, burns and/or severe injuries.

This Instruction Manual should be kept for later use and enclosed with the power tool, should it be passed on or sold.

**SAVE THESE INSTRUCTIONS.**

The term “power tool” in the warnings refers to your mains-operated (corded) power tool or battery operated (cordless) power tool.

## General safety rules.

### 1) Work area safety

- a) **Keep work area clean and well lit.** Cluttered or dark areas invite accidents.
- b) **Do not operate power tools in explosive atmospheres, such as in the presence of flammable liquids, gases or dust.** Power tools create sparks which may ignite the dust or fumes.
- c) **Keep children and bystanders away while operating a power tool.** Distraction can cause you to lose control.

### 2) Electrical safety

- a) **Power tool plugs must match the outlet. Never modify the plug in any way. Do not use any adapter plugs with earthed (grounded) power tools.** Unmodified plugs and matching outlets will reduce risk of electric shock.
- b) **Avoid body contact with earthed or grounded surfaces such as pipes, radiators, ranges and refrigerators.** There is an increased risk of electric shock if your body is earthed or grounded.
- c) **Do not expose power tools to rain or wet conditions.** Water entering a power tool will increase the risk of electric shock.
- d) **Do not abuse the cord. Never use the cord for carrying, pulling or unplugging the power tool. Keep cord away from heat, oil, sharp edges or moving parts.** Damaged or entangled cords increase the risk of electric shock.
- e) **When operating a power tool outdoors, use an extension cord suitable for outdoor use.** Use of a cord suitable for outdoor use reduces the risk of electric shock.
- f) **If operating a power tool in a damp location is unavoidable, use a ground fault circuit interrupter (GFCI) protected supply.** Use of an GFCI reduces the risk of electric shock.

### 3) Personal safety

- a) **Stay alert, watch what you are doing and use common sense when operating a power tool. Do not use a power tool while you are tired or under the influence of drugs, alcohol or medication.** A moment of inattention while operating power tools may result in serious personal injury.
- b) **Use personal protective equipment. Always wear eye protection.** Protective equipment such as dust mask, non-skid safety shoes, hard hat, or hearing protection used for appropriate conditions will reduce personal injuries.

- c) **Prevent unintentional starting. Ensure the switch is in the off-position before connecting to power source and/or battery pack, picking up or carrying the tool.** Carrying power tools with your finger on the switch or energising power tools that have the switch on invites accidents.
  - d) **Remove any adjusting key or wrench before turning the power tool on.** A wrench or a key left attached to a rotating part of the power tool may result in personal injury.
  - e) **Do not overreach. Keep proper footing and balance at all times.** This enables better control of the power tool in unexpected situations.
  - f) **Dress properly. Do not wear loose clothing or jewelery. Keep your hair, clothing and gloves away from moving parts.** Loose clothes, jewelry or long hair can be caught in moving parts.
  - g) **If devices are provided for the connection of dust extraction and collection facilities, ensure these are connected and properly used.** Use of dust collection can reduce dust-related hazards.
- 4) **Power tool use and care**
- a) **Do not force the power tool. Use the correct power tool for your application.** The correct power tool will do the job better and safer at the rate for which it was designed.
  - b) **Do not use the power tool if the switch does not turn it on and off.** Any power tool that cannot be controlled with the switch is dangerous and must be repaired.
  - c) **Disconnect the plug from the power source and/or the battery pack from the power tool before making any adjustments, changing accessories, or storing power tools.** Such preventive safety measures reduce the risk of starting the power tool accidentally.
  - d) **Store idle power tools out of the reach of children and do not allow persons unfamiliar with the power tool or these instructions to operate the power tool.** Power tools are dangerous in the hands of untrained users.
  - e) **Maintain power tools. Check for misalignment or binding of moving parts, breakage of parts and any other condition that may affect the power tool's operation. If damaged, have the power tool repaired before use.** Many accidents are caused by poorly maintained power tools.
  - f) **Keep cutting tools sharp and clean.** Properly maintained cutting tools with sharp cutting edges are less likely to bind and are easier to control.
  - g) **Use the power tool, accessories and tool bits etc. in accordance with these instructions, taking into account the working conditions and the work to be performed.** Use of the power tool for operations different from those intended could result in a hazardous situation.
- 5) **Service**
- a) **Have your power tool serviced by a qualified repair person using only identical replacement parts.** This will ensure that the safety of the power tool is maintained.

## Special safety instructions.

### **Safety Warnings common for Grinding, Sanding, Wire Brushing or Abrasive Cutting Off Operations**

**This power tool is intended to function as a grinder, sander, wire brush or cut-off tool. Read all safety warnings, instructions, illustrations and specifications provided with this power tool.** Failure to follow all instructions listed below may result in electric shock, fire and/or serious injury.

**Operations such as polishing are not recommended to be performed with this power tool.** Operations for which the power tool was not designed may create a hazard and cause personal injury.

**Do not use accessories which are not specifically designed and recommended by the tool manufacturer.** Just because the accessory can be attached to your power tool, it does not assure safe operation.

**The rated speed of the accessory must be at least equal to the maximum speed marked on the power tool.** Accessories running faster than their rated speed can break and fly apart.

**The outside diameter and the thickness of your accessory must be within the capacity rating of your power tool.** Incorrectly sized accessories cannot be adequately guarded or controlled.

**The arbor size of wheels, flanges, backing pads or any other accessory must properly fit the spindle of the power tool.** Accessories with arbor holes that do not match the mounting hardware of the power tool will run out of balance, vibrate excessively and may cause loss of control.

**Do not use a damaged accessory. Before each use inspect the accessory such as abrasive wheels for chips and cracks, backing pad for cracks, tear or excess wear, wire brush for loose or cracked wires. If power tool or accessory is dropped, inspect for damage or install an undamaged accessory. After inspecting and installing an accessory, position yourself and bystanders away from the plane of the rotating accessory and run the power tool at maximum no-load speed for one minute.**

Damaged accessories will normally break apart during this testtime.

**Wear personal protective equipment. Depending on application, use face shield, safety goggles or safety glasses. Where appropriate, wear dust mask, hearing protectors, gloves and workshop apron capable of stopping small abrasive or workpiece fragments.** The safety glasses must be capable of protecting against flying particles generated by the various operations. Prolonged exposure to high intensity noise may cause loss of hearing.

**Keep bystanders a safe distance away from work area. Anyone entering the work area must wear personal protective equipment.** Fragments of workpiece or of a broken accessory may fly away and cause injury beyond immediate area of operation.

**Hold the power tool by insulated gripping surfaces only, when performing an operation where the cutting accessory may contact hidden wiring or its own cord.** Cutting accessory contacting a “live” wire may make exposed metal parts of the power tool “live” and could give the operator an electric shock.

**Position the cord clear of the spinning accessory.** If you lose control of the power tool, the cord may be cut or snagged and your hand or arm may be pulled into the spinning accessory.

**Never lay the power tool down until the accessory has come to a complete stop.** The spinning accessory may grab the surface and pull the power tool out of your control.

**Do not run the power tool while carrying it at your side.** Accidental contact with the spinning accessory could snag your clothing, pulling the accessory into your body.

**Regularly clean the power tool’s air vents.** The motor’s fan will draw the dust inside the housing and excessive accumulation of powdered metal may cause electrical hazards.

**Do not operate the power tool near flammable materials.** Sparks could ignite these materials.

**Do not use accessories that require liquid coolants.** Using water or other liquid coolants may result in electrocution or shock.

## Kickback and related warnings

Kickback is a sudden reaction to a pinched or snagged rotating wheel, backing pad, brush or any other accessory. Pinching or snagging causes rapid stalling of the rotating accessory which in turn causes the uncontrolled power tool to be forced in the direction opposite of the accessory's rotation at the point of the binding.

For example, if an abrasive wheel is snagged or pinched by the workpiece, the edge of the wheel that is entering into the pinch point can dig into the surface of the material causing the wheel to climb out or kick out. The wheel may either jump toward or away from the operator, depending on direction of the wheel's movement at the point of pinching. Abrasive wheels may also break under these conditions.

Kickback is the result of power tool misuse and/or incorrect operating procedures or conditions and can be avoided by taking proper precautions as given below.

**Maintain a firm grip on the power tool and position your body and arm to allow you to resist kickback forces. Always use auxiliary handle, if provided, for maximum control over kickback or torque reaction during start-up.**

The operator can control torque reactions or kickback forces, if proper precautions are taken.

**Never place your hand near the rotating accessory.** Accessory may kickback over your hand.

**Do not position your body in the area where power tool will move if kickback occurs.** Kickback will propel the tool in direction opposite to the wheel's movement at the point of snagging.

**Use special care when working corners, sharp edges, etc. Avoid bouncing and snagging the accessory.** Corners, sharp edges or bouncing have a tendency to snag the rotating accessory and cause loss of control or kickback.

**Do not attach a saw chain woodcarving blade or toothed saw blade.** Such blades create frequent kickback and loss of control over the power tool.

## Safety warnings specific for grinding and abrasive cutting-off operations

**Use only wheel types that are recommended for your power tool and the specific guard designed for the selected wheel.** Wheels for which the power tool was not designed cannot be adequately guarded and are unsafe.

**The grinding surface of the centre depressed wheels must be mounted below the plane of the guard lip.** An improperly mounted wheel that projects through the plane of the guard lip cannot be adequately protected.

**The guard must be securely attached to the power tool and positioned for maximum safety, so the least amount of wheel is exposed towards the operator.** The guard helps to protect operator from broken wheel fragments, accidental contact with wheel and sparks that could ignite clothing.

**Wheels must be used only for recommended applications. For example: do not grind with the side of the cut-off wheel.** Abrasive cut-off wheels are intended for peripheral grinding; side forces applied to these wheels may cause them to shatter.

**Always use undamaged wheel flanges that are of correct size and shape for your selected wheel.** Proper wheel flanges support the wheel thus reducing the possibility of wheel breakage. Flanges for cut-off wheels may be different from grinding wheel flanges.

**Do not use worn down wheels from larger power tools.** Wheels intended for larger power tools are not suitable for the higher speed of a smaller tool and may burst.

## Additional safety warnings specific for abrasive cutting off operations

**Do not "jam" the cut-off wheel or apply excessive pressure. Do not attempt to make an excessive depth of cut.** Overstressing the wheel increases the loading and susceptibility to twisting or binding of the wheel in the cut and the possibility of kickback or wheel breakage.

**Do not position your body in line with and behind the rotating wheel.** When the wheel, at the point of operation, is moving away from your body, the possible kickback may propel the spinning wheel and the power tool directly at you.

**When wheel is binding or when interrupting a cut for any reason, switch off the power tool and hold the power tool motionless until the wheel comes to a complete stop. Never attempt to remove the cut-off wheel from the cut while the wheel is in motion otherwise kickback may occur.** Investigate and take corrective action to eliminate the cause of wheel binding.

**Do not restart the cutting operation in the workpiece. Let the wheel reach full speed and carefully re-enter the cut.** The wheel may bind, walk up or kickback if the power tool is restarted in the workpiece.

**Support panels or any oversized workpiece to minimize the risk of wheel pinching and kickback.** Large workpieces tend to sag under their own weight. Supports must be placed under the workpiece near the line of cut and near the edge of the workpiece on both sides of the wheel.

**Use extra caution when making a “pocket cut” into existing walls or other blind areas.** The protruding wheel may cut gas or water pipes, electrical wiring or objects that can cause kickback.

### **Safety warnings specific for sanding operations**

**Do not use excessively oversized sanding disc paper. Follow manufacturers recommendations, when selecting sanding paper.** Larger sanding paper extending beyond the sanding pad presents a laceration hazard and may cause snagging, tearing of the disc, or kickback.

### **Safety warnings specific for wire brushing operations**

**Be aware that wire bristles are thrown by the brush even during ordinary operation. Do not overstress the wires by applying excessive load to the brush.** The wire bristles can easily penetrate light clothing and/or skin.

**If the use of a guard is recommended for wire brushing, do not allow any interference of the wire wheel or brush with the guard.** Wire wheel or brush may expand in diameter due to work load and centrifugal forces.

### **Further safety warnings**

**Use elastic spacers/liners when these are provided with the grinding accessory.**

**Make sure that the application tools are mounted in accordance with the manufacturer's instructions. The mounted application tools must be able to rotate freely.** Incorrectly mounted application tools can become loose during operation and be thrown from the machine.

**Handle grinding accessories carefully and store them according to the manufacturer's instructions.** Damaged grinding accessories can develop cracks and burst during operation.

**When using application tools with a threaded insert, take care that the thread in the application tool is long enough to hold the spindle length of the power tool. The thread in the application tool must match the thread on the spindle.** Incorrectly mounted application tools can loosen during operation and cause injuries.

**Do not direct the power tool against yourself, other persons or animals.** Danger of injury from sharp or hot application tools.

**Beware of any concealed electric cables, gas or water conduits.** Check the working area before commencing work, e. g. with a metal detector.

**Use a stationary extraction system, blow out ventilation slots frequently and connect a residual current device (RCD) on the line side.** When working metal under extreme operating conditions, it is possible for conductive dust to settle in the interior of the power tool. The total insulation of the power tool can be impaired.

**This double-insulated power tool is equipped with a polarized plug (one contact is wider than the other). The plug will only fit into the polarized socket outlet in one position. Turn the plug if it does not fit completely into the socket outlet. If the plug still does not fit, have a qualified electrician install a polarized socket outlet. Do not modify or alter the plug under any circumstances.** Double-insulated power tools neither require a three-core mains cable nor a mains connection with ground contact.

**Operate the power tool only off power supplies whose voltage and frequency values correspond with the values on the type plate of the power tool.**

**If operating the power tool in a damp location, it must be connected via a ground-fault circuit interrupter (GFCI).** Using special rubber protective gloves and footwear increase your own safety.

**NOTE:** Such a device is also known as ground fault circuit interrupter (GFCI) or earth leakage circuit breaker (ELCB).

## Handling hazardous dusts.

**⚠ WARNING** When working with power tools, such as when grinding, sanding, polishing, sawing or for other work procedures where material is removed, dusts develop that are both hazardous to one's health and can spontaneously combust or be explosive.

Contact with or inhaling some dust types can trigger allergic reactions to the operator or bystanders and/or lead to respiratory infections, cancer, birth defects or other reproductive harm.

Examples of such materials which contain chemicals that can produce hazardous dusts, are:

- Asbestos and materials containing asbestos;
- Lead-containing coatings, some wood types such as beech and oak;
- Minerals and metal;
- Silicate particles from bricks, concrete and other materials containing stone;
- Solvent from solvent-containing paint/varnish;
- Arsenic, chromium and other wood preservatives;
- Materials for pesticide treatment on boat and ship hulls;
- Stainless steel dust, metal dust and non-ferrous metal dust;

**Do not rivet or screw any name-plates or signs onto the power tool.** If the insulation is damaged, protection against an electric shock will be ineffective. Adhesive labels are recommended.

**Always work with the auxiliary handle.** The auxiliary handle ensures reliable guiding of the power tool.

**Before putting into operation, check the power connection and the power plug for damage.**

**Recommendation: The tool should always be supplied with power via a ground fault circuit interrupter (GFCI) with a rated current of 30 mA or less.**

To minimize the unwanted intake of these materials:

- Use dust extraction matched appropriately for the developing dust.
- Use personal protective equipment, such as a P2 filter-class dust protection mask.
- Provide for good ventilation of the workplace.

The risk from inhaling dusts depends on how often these materials are worked. Materials containing asbestos may only be worked on by specialists.

**⚠ CAUTION** Wood and light-metal dust can cause spontaneous combustion or explosions.

Hot mixtures of sanding dust and paint/varnish remainders or other chemical materials in the filter bag or the vac filter can self-ignite under unfavorable conditions, such as sparking from sanding metal, continuous sunlight or high ambient temperatures. To prevent this:

- Avoid overheating the material being sanded and the power tool.
- Empty the dust collector/container in time.
- Observe the material manufacturer's working instructions.
- Observe the relevant regulations in your country for the materials being worked.



## Hand/arm vibrations.

**⚠ WARNING** **While working with this power tool, hand/arm vibrations**

**occur.** These can lead to health impairments.

**⚠ WARNING** The vibration emission value during actual use of the power tool can differ from the declared value depending on the ways in which the tool is used.

**⚠ WARNING** It is necessary to identify safety measures to protect the operator that are based on an estimation of exposure in the actual conditions of use.

The vibration emission level given in this information sheet has been measured in accordance with a standardised test given in EN 60745 and may be used to compare one tool with another. It may be used for a preliminary assessment of exposure.

The declared vibration emission level represents the main applications of the tool. However if the tool is used for different applications, with different accessories or poorly maintained, the vibration emission may differ. This may significantly increase the exposure level over the total working period. An estimation of the level of exposure to vibration should also take into account the times when the tool is switched off or when it is running but not actually doing the job. This may significantly reduce the exposure level over the total working period. Identify additional safety measures to protect the operator from the effects of vibration such as: maintain the tool and the accessories, keep the hands warm, organisation of work patterns.

## Emission values for sound and vibration (Two-figure – specifications as per ISO 4871)

Sound emission	WSG 8-115 (**)	WSG 8-125 (**)	WSG 11-125 (**)	WSG 11-150 (**)	WSG 12-125P (**)
A-weighted emission pressure power level measured at the workplace $L_{pA}$ (re 20 $\mu$ Pa), in decibels	90	90	90	90	89
Measuring uncertainty $K_{pA}$ , in decibels	3	3	3	3	3
Measured A-weighted sound power level $L_{wA}$ (re 1 pW), in decibels	101	101	101	101	100
Measuring uncertainty $K_{wA}$ , in decibels	3	3	3	3	3
C-weighted peak sound pressure level measured at the workplace $L_{pCpeak}$ in decibels	105	105	105	105	104
Measuring uncertainty $K_{pCpeak}$ in decibels	3	3	3	3	3
<b>Vibrations</b>					
Mean vibrational value for angle grinding $a_{h,AG}$ , in					
– $m/s^2$	5.0	5.0	6.0	5.5	5.0
– $ft/s^2$	16.4	16.4	19.7	18.0	16.4
Mean vibrational value for sanding with sanding sheet $a_{h,DS}$ , in					
– $m/s^2$	1.8	1.8	1.8	1.8	2.0
– $ft/s^2$	5.9	5.9	5.9	5.9	6.6
Measuring uncertainty $K$ , in					
– $m/s^2$	1.5	1.5	1.5	1.5	1.5
– $ft/s^2$	4.9	4.9	4.9	4.9	4.9

REMARK: The sum of the measured emission value and respective measuring inaccuracy represents the upper limit of the values that can occur during measuring.



Wear hearing protection!

Measured values determined in accordance with the corresponding product standard.

<b>Sound emission</b>	<b>WSG 17-125P (**)</b>	<b>WSG 17-125PS (**)</b>	<b>WSG 17-150P (**)</b>	<b>WSG 17-70 Inox (**)</b>
A-weighted emission pressure power level measured at the workplace $L_{pA}$ (re 20 $\mu$ Pa), in decibels	90	90	90	90
Measuring uncertainty $K_{pA}$ , in decibels	3	3	3	3
Measured A-weighted sound power level $L_{WA}$ (re 1 pW), in decibels	101	101	101	101
Measuring uncertainty $K_{WA}$ , in decibels	3	3	3	3
C-weighted peak sound pressure level measured at the workplace $L_{pCpeak}$ in decibels	105	105	105	105
Measuring uncertainty $K_{pCpeak}$ in decibels	3	3	3	3

### Vibrations

Mean vibrational value for angle grinding  $a_{h,AG}$ , in

– $m/s^2$	5.0	5.0	5.0	4.1
– $ft/s^2$	16.4	16.4	16.4	13.5

Mean vibrational value for sanding with sanding sheet  $a_{h,DS}$ , in

– $m/s^2$	3.5	3.5	3.5	2.2
– $ft/s^2$	11.5	11.5	11.5	7.2

Measuring uncertainty  $K$ , in

– $m/s^2$	1.5	1.5	1.5	1.5
– $ft/s^2$	4.9	4.9	4.9	4.9

REMARK: The sum of the measured emission value and respective measuring inaccuracy represents the upper limit of the values that can occur during measuring.



Wear hearing protection!

Measured values determined in accordance with the corresponding product standard.

**Sound emission**

	WSG 11-125R (**)	WSG 11-150R (**)	WSG 17-125PR (**)	WSG 17-150PR (**)	WSG 17-70 InoxR (**)
	WSG 11-125RT (**)	WSG 11-150RT (**)	WSG 17-125PRT (**)	WSG 17-150PRT (**)	WSG 17-70 InoxRT (**)
A-weighted emission pressure power level measured at the workplace $L_{pA}$ (re 20 $\mu$ Pa), in decibels	90	90	90	90	90
Measuring uncertainty $K_{pA}$ , in decibels	3	3	3	3	3
Measured A-weighted sound power level $L_{WA}$ (re 1 pW), in decibels	101	101	101	101	101
Measuring uncertainty $K_{WA}$ , in decibels	3	3	3	3	3
C-weighted peak sound pressure level measured at the workplace $L_{pCpeak}$ in decibels	105	105	105	105	105
Measuring uncertainty $K_{pCpeak}$ in decibels	3	3	3	3	3

**Vibrations**

Mean vibrational value for angle grinding  $a_{h,AG}$ , in

– $m/s^2$	7.9	7.3	5.9	5.0	3.4
– $ft/s^2$	25.9	24.0	19.4	16.4	11.2

Mean vibrational value for sanding with sanding sheet  $a_{h,DS}$ , in

– $m/s^2$	1.5	1.5	2.1	1.6	1.6
– $ft/s^2$	4.9	4.9	6.9	5.3	5.3

Measuring uncertainty  $K$ , in

– $m/s^2$	1.5	1.5	1.5	1.5	1.5
– $ft/s^2$	4.9	4.9	4.9	4.9	4.9

REMARK: The sum of the measured emission value and respective measuring inaccuracy represents the upper limit of the values that can occur during measuring.



Wear hearing protection!

Measured values determined in accordance with the corresponding product standard.

## Extension cable.

**⚠ WARNING** If the use of an extension cord is required, its length and conductor cross-section must be adequate for the application in order to prevent a voltage drop in the extension cord, power loss and overheating of the power tool. Otherwise, the extension cable and power tool are prone to electrical danger, and the working efficiency is decreased.

**Recommended dimensions of extension cables at an operating voltage of 120 V – single-phase a. c., with only one power tool WSG8 (\*\*), WSG11 (\*\*), WSG12 (\*\*), WSG17 (\*\*) connected:**

### WSG12 (\*\*), WSG17 (\*\*):

Max. cable length, ft			Max. cable length, m		
≤ 100	100 –200	200 –300	≤ 30	30 – 60	60 –100
Min. conductor size A.W.G.			Min. conductor cross-section, mm <sup>2</sup>		
14	12	10	2.5	4.0	6.0

### WSG8 (\*\*), WSG11 (\*\*):

Max. cable length, ft			Max. cable length, m		
≤ 100	100 –200	200 –300	≤ 30	30 – 60	60 –100
Min. conductor size A.W.G.			Min. conductor cross-section, mm <sup>2</sup>		
16	14	12	1.5	2.5	4.0

## Intended use of the power tool:
















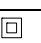
Hand-guided angle grinder for dry grinding and cutting of metal and stone in weather-protected environments with the application tools and accessories recommended by FEIN.

## Operation of the power tool off power generators.

**!** This power tool is also suitable for use with AC generators with sufficient power output that correspond to the Standard ISO 8528, design type G2. This Standard is particularly not complied with when the so-called distortion factor exceeds 10 %. When in doubt, please refer to the generator instruction/specification guide.

**⚠ WARNING** Operating the power tool off power generators whose no-load speed exceeds the voltage value on the type plate of the power tool is prohibited.

## Symbols.

Symbol, character	Explanation
	General prohibition sign. This action is prohibited.
	Do not touch the rotating parts of the power tool.
	Observe the instructions in the text or graphic opposite!
	Make sure to read the enclosed documents such as the Instruction Manual and the General Safety Instructions.
	Before commencing this working step, pull the power plug out of the socket. Otherwise there will be danger of injury if the power tool should start unintentionally.
	Use eye protection during operation.
	Use ear protection during operation.
	Use a dust mask during operation.
	Use protective gloves during operation.
	A surface that can be touched may be very hot and thus hazardous.
	This symbol confirms the certification of this product for the USA and Canada.
	This sign warns of a directly imminent, dangerous situation. A false reaction can cause a severe or fatal injury.
	This sign indicates a possible dangerous situation that could cause severe or fatal injury.
	This sign warns of a possible dangerous situation that could cause injury.
	Worn out power tools and other electrotechnical and electrical products should be sorted separately for environmentally-friendly recycling.
	Product with double or reinforced insulation
~ or a. c.	Alternating current
≡ or d. c.	Direct current
1~	Alternating current, single-phase
(**)	may contain numbers and letters

Character	Unit of measurement, national	Explanation
$n_0$	rpm; /min; $\text{min}^{-1}$ ; r/min	Rated speed
$P$	W	Electrical power
	°	Angle width
$U$	V	Electric voltage
$f$	Hz	Frequency
$I$	A	Electric current intensity
$m$	kg, lbs	Mass
$l$	ft, in	Length, width, height, depth, diameter or thread
$\emptyset$	ft, in	Diameter of a round part
	m, s, kg, A, mm, V, W, Hz, N, °C, dB, min, $\text{m/s}^2$	Basic and derived units of measurement from the international system of units <b>SI</b> .

## Technical description and specifications.

**⚠ WARNING** Before mounting or replacing cutting tool or accessories, pull the power plug. This preventive safety measure rules out the danger of injuries through accidental starting of the power tool.

All accessories described or shown in this instruction manual will not be included with your power tool.

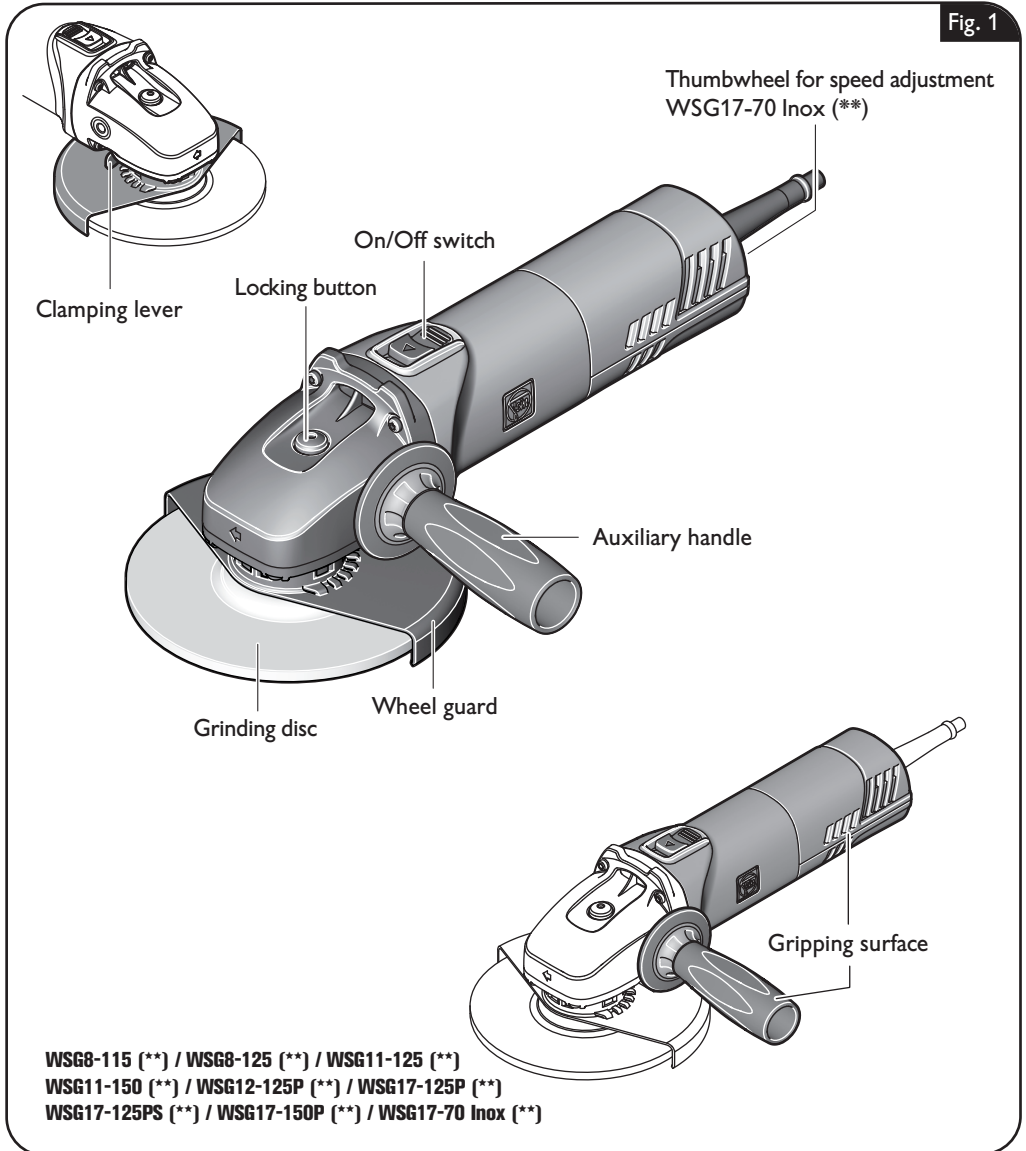
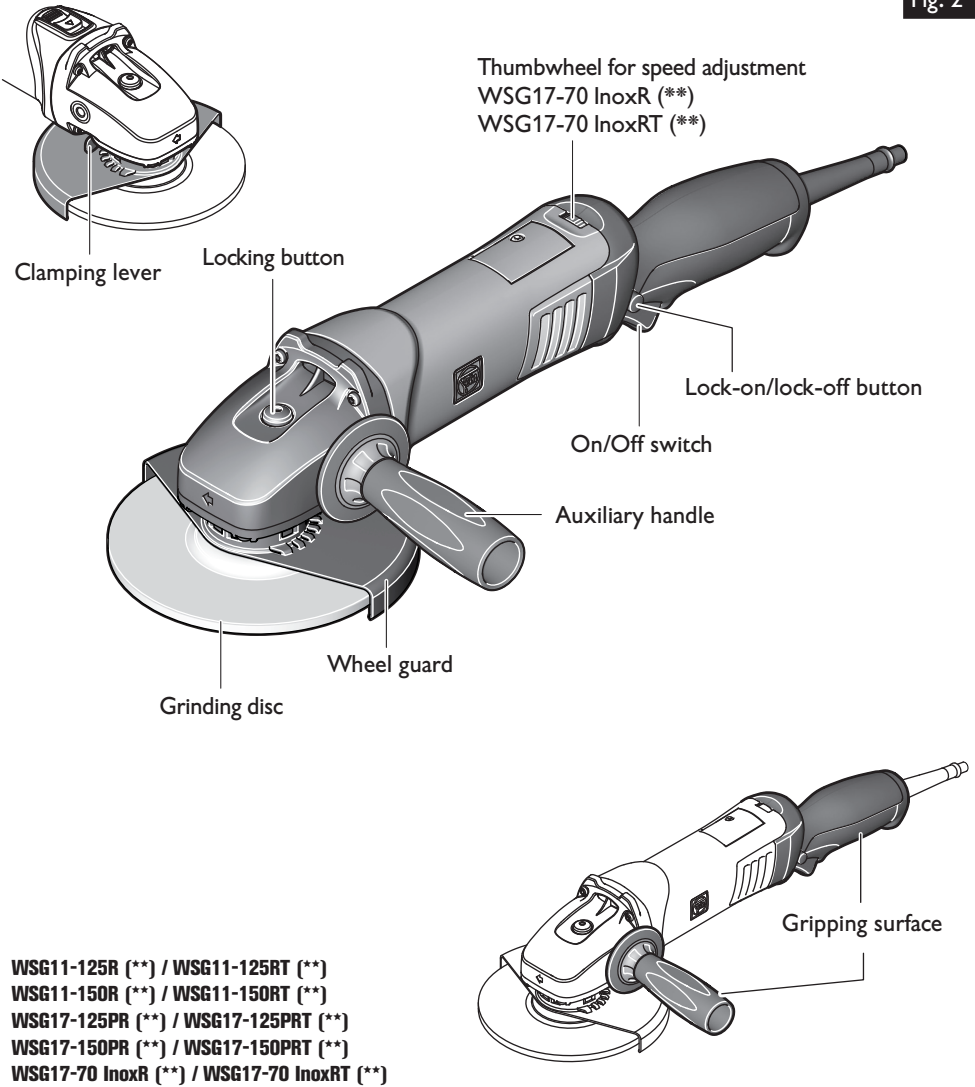




Fig. 2



Type	WSG8-115 (**)	WSG8-125 (**)	WSG11-125 (**)	WSG11-150 (**)	WSG12-125P (**)
Order number	7 222 ...	7 222 ...	7 222 ...	7 222 ...	7 222 ...
Current consumption	6.9 A	6.9 A	9.6 A	9.6 A	10.5 A
Type of current	~ (a. c.) = (d. c.)	~ (a. c.) = (d. c.)	~ (a. c.) = (d. c.)	~ (a. c.) = (d. c.)	~ (a. c.)
Rated speed	11000 rpm	11000 rpm	11000 rpm	8500 rpm	11000 rpm
Ø <sub>D</sub> =Max. diameter of grinding/cutting disc	4 1/2 in 115 mm	5 in 125 mm	5 in 125 mm	6 in 150 mm	5 in 125 mm
Diameter of mounting hole	7/8 in 22.23 mm	7/8 in 22.23 mm	7/8 in 22.23 mm	7/8 in 22.23 mm	7/8 in 22.23 mm
Thickness of grinding/cutting disc	1/16 in – 1/4 in 1 mm – 6 mm	1/16 in – 1/4 in 1 mm – 6 mm	1/16 in – 1/4 in 1 mm – 6 mm	1/16 in – 1/4 in 1 mm – 6 mm	1/16 in – 1/4 in 1 mm – 6 mm
Max. sanding pad diameter	4 1/2 in 115 mm	4 1/2 in – 5 in 115/125 mm	4 1/2 in – 5 in 115/125 mm	5 in – 6 in 125/150 mm	4 1/2 in – 5 in 115/125 mm
Thread for clamping flange	5/8 in – 11UNC	5/8 in – 11UNC	5/8 in – 11UNC	5/8 in – 11UNC	5/8 in – 11UNC
Length of mounting thread	3/4 in 20 mm	3/4 in 20 mm	3/4 in 20 mm	3/4 in 20 mm	3/4 in 20 mm
Weight according to EPTA-Procedure 01	4.5 lbs (2.0 kg)	4.5 lbs (2.0 kg)	4.9 lbs (2.2 kg)	5.3 lbs (2.4 kg)	4.6 lbs (2.1 kg)
Class of protection	□/II	□/II	□/II	□/II	□/II

Type	WSG17-125P (**)	WSG17-125PS (**)	WSG17-150P (**)	WSG17-70 Inox (**)
Order number	7 222 ...	7 222 ...	7 222 ...	7 222 ...
Current consumption	13 A	13 A	13 A	13 A
Type of current	~ (a. c.)	~ (a. c.)	~ (a. c.)	~ (a. c.)
Rated speed	11000 rpm	7900 rpm	8500 rpm	2500 – 7900 rpm
Ø <sub>D</sub> =Max. diameter of grinding/cutting disc	5 in 125 mm	5 in 125 mm	6 in 150 mm	5 in 125 mm
Diameter of mounting hole	7/8 in 22.23 mm	7/8 in 22.23 mm	7/8 in 22.23 mm	7/8 in 22.23 mm
Thickness of grinding/cutting disc	1/16 in – 1/4 in 1 mm – 6 mm	1/16 in – 1/4 in 1 mm – 6 mm	1/16 in – 1/4 in 1 mm – 6 mm	1/16 in – 1/4 in 1 mm – 6 mm
Max. sanding pad diameter	4 1/2 in – 5 in 115/125 mm	5 in 125 mm	5 in – 6 in 125/150 mm	5 in 125 mm
Thread for clamping flange	5/8 in – 11UNC	5/8 in – 11UNC	5/8 in – 11UNC	5/8 in – 11UNC
Length of mounting thread	3/4 in 20 mm	3/4 in 20 mm	3/4 in 20 mm	3/4 in 20 mm
Weight according to EPTA-Procedure 01	5.1 lbs (2.3 kg)	5.3 lbs (2.4 kg)	5.3 lbs (2.4 kg)	5.3 lbs (2.4 kg)
Class of protection	□/II	□/II	□/II	□/II

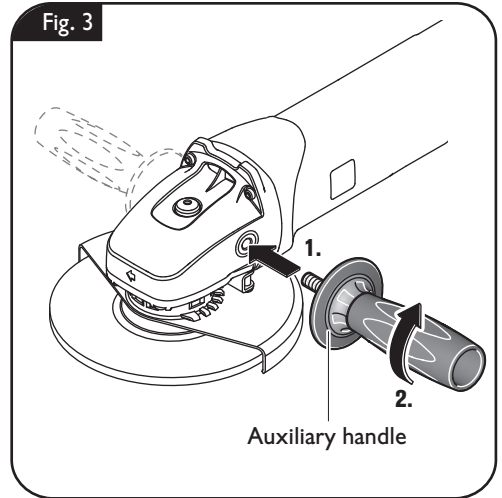
Type	WSG11-125R (**)	WSG11-150R (**)	WSG17-125 PR (**)	WSG17-150 PR (**)	WSG17-70 InoxR (**)
	WSG11-125RT (**)	WSG11-150RT (**)	WSG17-125 PRT (**)	WSG17-150 PRT (**)	WSG17-70 InoxRT (**)
Order number	7 222 ...	7 222 ...	7 222 ...	7 222 ...	7 222 ...
Current consumption	9.6 A	9.6 A	13 A	13 A	13 A
Type of current	~ (a. c.)	~ (a. c.)	~ (a. c.)	~ (a. c.)	~ (a. c.)
Rated speed	11000 rpm	8500 rpm	11000 rpm	8500 rpm	2500 – 8000 rpm
Ø <sub>D</sub> =Max. diameter of grinding/cutting disc	5 in 125 mm	6 in 150 mm	5 in 125 mm	6 in 150 mm	5 in 125 mm
Diameter of mounting hole	7/8 in 22.23 mm	7/8 in 22.23 mm	7/8 in 22.23 mm	7/8 in 22.23 mm	7/8 in 22.23 mm
Thickness of grinding/cutting disc	1/16 in – 1/4 in 1 mm – 6 mm	1/16 in – 1/4 in 1 mm – 6 mm	1/16 in – 1/4 in 1 mm – 6 mm	1/16 in – 1/4 in 1 mm – 6 mm	1/16 in – 1/4 in 1 mm – 6 mm
Max. sanding pad diameter	4 1/2 in – 5 in 115/125 mm	5 in – 6 in 125/150 mm	4 1/2 in – 5 in 115/125 mm	5 in – 6 in 125/150 mm	5 in 125 mm
Thread for clamping flange	5/8 in – 11UNC	5/8 in – 11UNC	5/8 in – 11UNC	5/8 in – 11UNC	5/8 in – 11UNC
Length of mounting thread	3/4 in 20 mm	3/4 in 20 mm	3/4 in 20 mm	3/4 in 20 mm	3/4 in 20 mm
Weight according to EPTA-Procedure 01	5.3 lbs (2.4 kg)	5.6 lbs (2.5 kg)	5.3 lbs (2.4 kg)	5.7 lbs (2.6 kg)	5.6 lbs (2.5 kg)
Class of protection	□/II	□/II	□/II	□/II	□/II

## Assembly instructions.

**⚠ WARNING** Before mounting or replacing cutting tool or accessories, pull the power plug. This preventive safety measure rules out the danger of injuries through accidental starting of the power tool.

### Mounting the auxiliary handle (figure 3).

Depending on the working manner, screw the auxiliary handle right or left on the power tool.



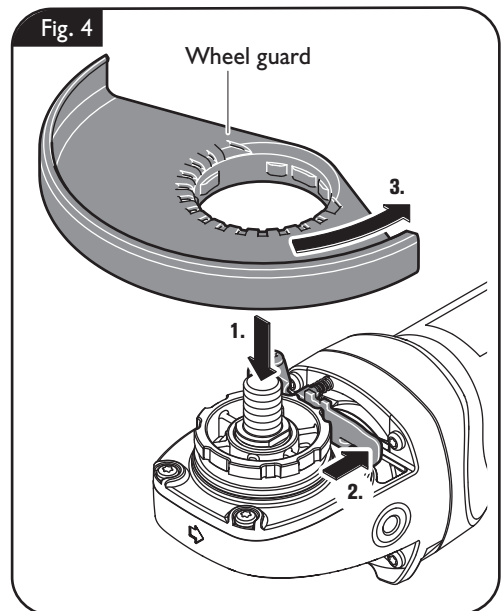
### Mounting the wheel guard (figure 4).

**⚠ WARNING** For all work except for cut-off grinding.

Insert the wheel guard ensuring that the cams of the opening engage in the grooves on the power tool.

Press the clamping lever and turn the wheel guard to the required working position.

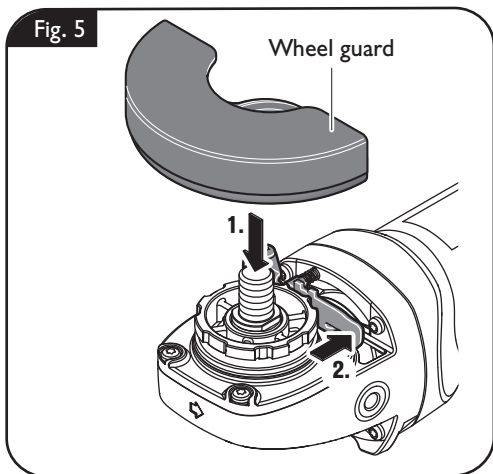
Allow the clamping lever to engage.



### Mounting the cut-off wheel guard (figure 5).

**⚠ WARNING** For cut-off grinding operations, always work with the cut-off wheel guard mounted.

Mounting takes place as described under “Mounting the wheel guard”.



## Changing the tool.

**⚠ WARNING** Before mounting or replacing cutting tool or accessories, pull the power plug. This preventive safety measure rules out the danger of injuries through accidental starting of the power tool.

### Mounting a grinding disc (figure 6).

⚠ Press the locking button only when the motor is stopped.

Press the locking button completely through and hold it in place. Loosen the clamping flange with the pin-type face wrench.

👉 Unscrew the clamping flange.

⚠ Replace the used-up grinding accessory or insert a new one.

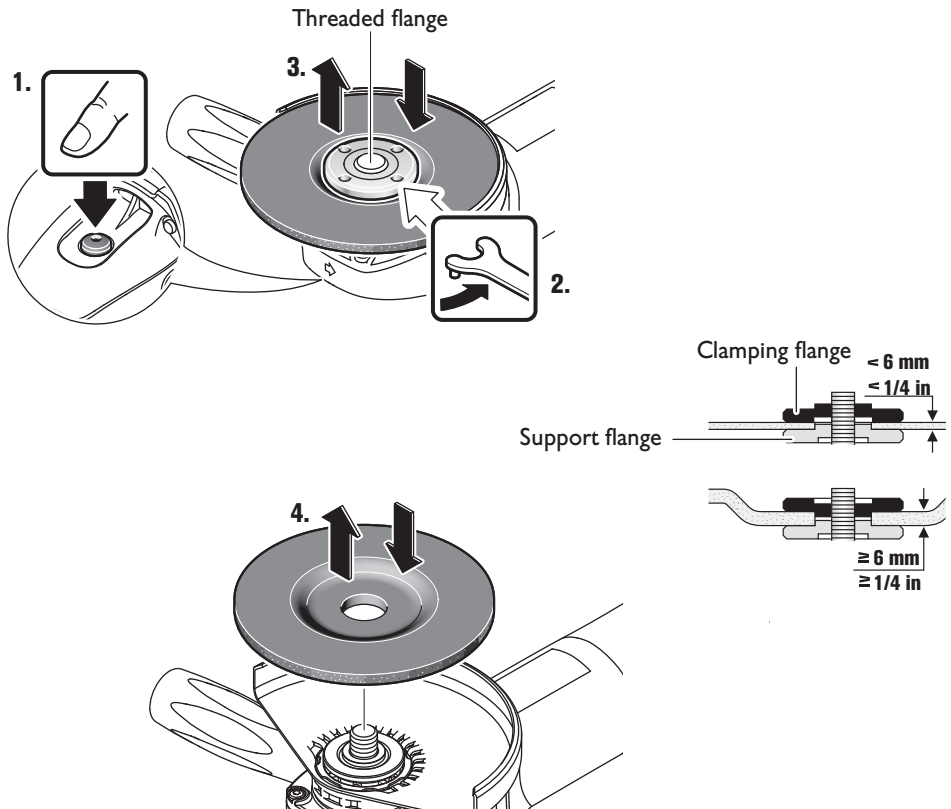
⚠ Pay attention that the grinding accessory is properly centered between the support flange and the clamping flange.

Manually screw on the clamping flange again.

Press the locking button completely through and hold it in place. Tighten the clamping flange with the pin-type face wrench.

**Note:** Pay attention to the mounting direction of the clamping flange, which can vary depending on the thickness of the grinding disc.

Fig. 6





### Mounting a grinding disc (figure 7) when using a support flange (special accessory).

The support flange may only be used with grinding discs according to ANSI B7.1-2010 type 27, 28 and 29, and with a minimum offset of at least 4.6 mm (0.18 in) according to DIN ISO 603-14.

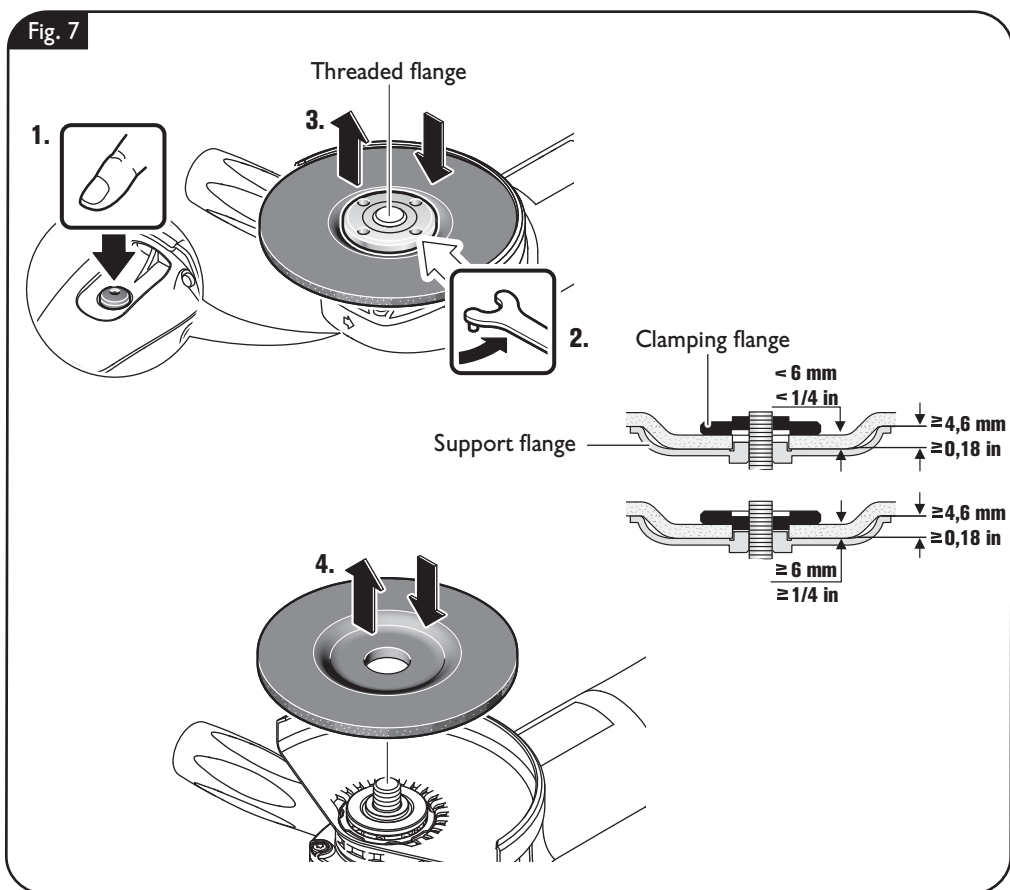
**!** Press the locking button only when the motor is stopped.

Press the locking button completely through and hold it in place. Loosen the clamping flange with the pin-type face wrench.

-  Unscrew the clamping flange.
-  Replace the used-up grinding accessory or insert a new one.
- !** Pay attention that the grinding accessory is properly centered between the support flange and the clamping flange.

Manually screw on the clamping flange again. Press the locking button completely through and hold it in place. Tighten the clamping flange with the pin-type face wrench.

**Note:** Pay attention to the mounting direction of the clamping flange, which can vary depending on the thickness of the grinding disc.



## Adjustments.

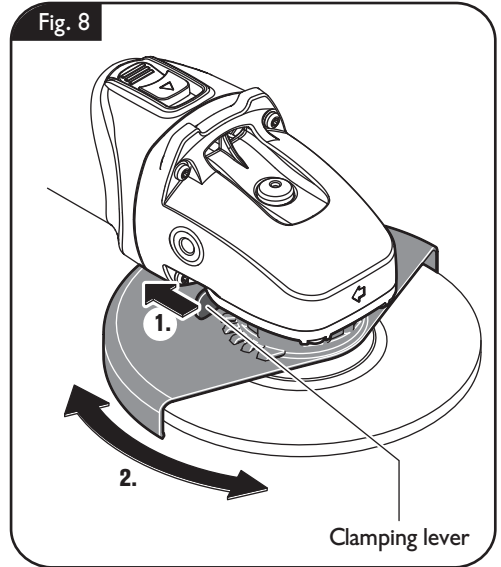
**⚠ WARNING** Before mounting or replacing cutting tool or accessories, pull the power plug. This preventive safety measure rules out the danger of injuries through accidental starting of the power tool.

### Adjusting the wheel guard (figure 8).

Release clamping lever.

Turn the wheel guard to the requested working position, then clamp the wheel guard with the clamping lever.

Allow the clamping lever to engage.





## Working instructions.

**⚠ WARNING** Before mounting or replacing cutting tool or accessories, pull the power plug. This preventive safety measure rules out the danger of injuries through accidental starting of the power tool.

**!** For each job, use only the FEIN application tool released and intended for the respective application.

### Switching on and off.

**⚠ WARNING** Check the power supply cable and the plug for damage.

**⚠ CAUTION** Always hold the power tool firmly. Otherwise, you could lose control over the power tool.

The **self-start lock** prevents the angle grinder (see Table) from automatically restarting again, even after a brief interruption of the power supply, e. g., from a pulled power plug.

Angle grinders with electronics (see Table) are equipped with overload and blocking protection. In case of overload or blocking of the application tool, the power supply is interrupted. In this case, switch the power tool off, remove it from the workpiece and check the application tool. Afterwards, switch the power tool on again.

WSG12-125P (**)	WSG17-125PRT (**)
WSG17-125P (**)	WSG17-150PR (**)
WSG17-125PS (**)	WSG17-150PRT (**)
WSG17-150P (**)	WSG17-70 InoxR (**)
WSG17-70 Inox (**)	WSG17-70 InoxRT (**)
WSG17-125PR (**)	

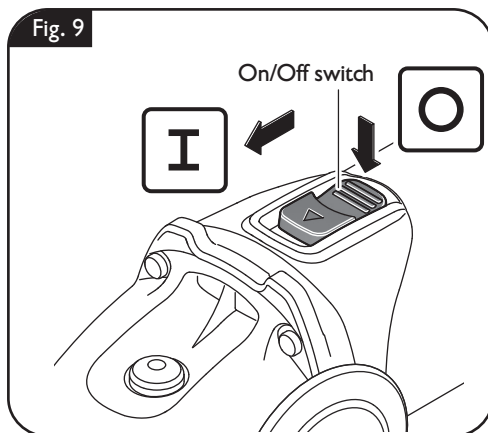
**WSG8-115 (\*\*)/WSG8-125 (\*\*)/WSG11-125 (\*\*)/WSG11-150 (\*\*)/WSG12-125P (\*\*)/WSG17-125P (\*\*)/WSG17-125PS (\*\*)/ WSG17-150P (\*\*)/WSG17-70 Inox (\*\*)** (figure 9).

#### Switching on:

Push the On/Off switch forward (I).

#### Switching off:

Push the On/Off switch back (O).



**WSG11-125R (\*\*)/WSG11-150R (\*\*)/WSG17-125PR (\*\*)/WSG17-150PR (\*\*)/WSG17-70 InoxR (\*\*)** (figure 10).

**Switching on:**

Press and hold the lock-on/lock-off button.  
Press the On/Off switch.

**Switching off:**

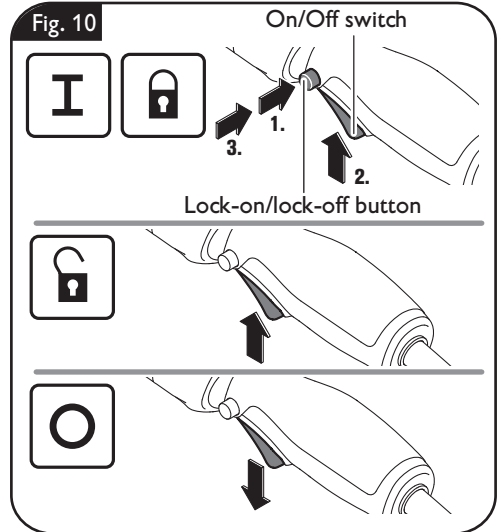
Release the On/Off switch.

**Locking on:**

Press the lock-on button completely through until of the On/Off switch is locked.

**Switching off a locked On/Off switch:**

Press the On/Off switch to the stop and then release it.



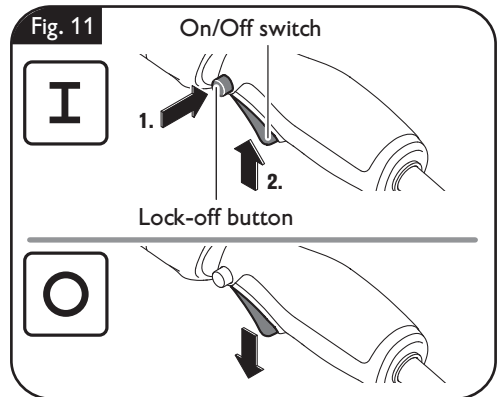
**WSG11-125RT (\*\*)/WSG11-150RT (\*\*)/WSG17-125PRT (\*\*)/WSG17-150PRT (\*\*)/WSG17-70 InoxRT (\*\*)** (figure 11).

**Switching on:**

Press and hold the lock-off button. Press the On/Off switch.

**Switching off:**

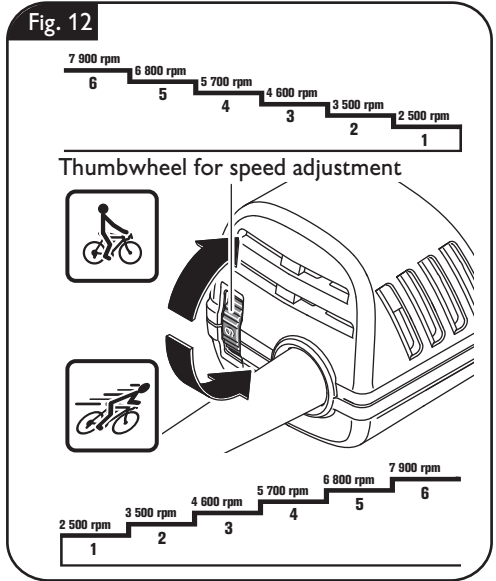
Release the On/Off switch.



### Setting the speed (WSG17-70 Inox (\*\*)) (figure 12).

The speed range can be variably adjusted, as shown in the following figure.

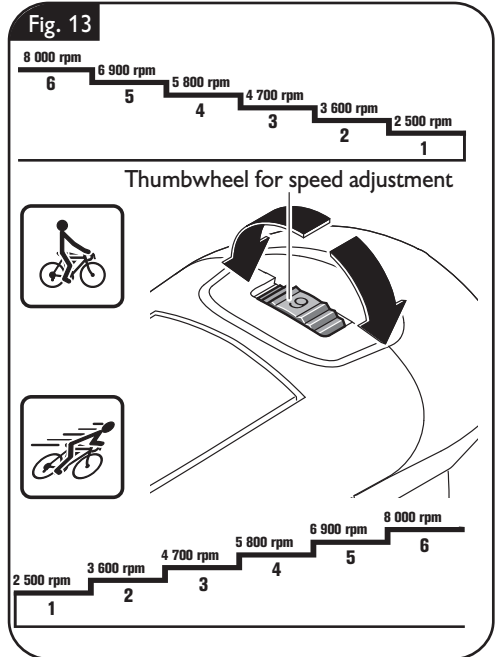
Turn the dial control between “1” for the lowest speed and “6” for the highest speed.



### Setting the speed (WSG17-70 InoxR (\*\*)/ WSG17-70 InoxRT (\*\*)) (figure 13).

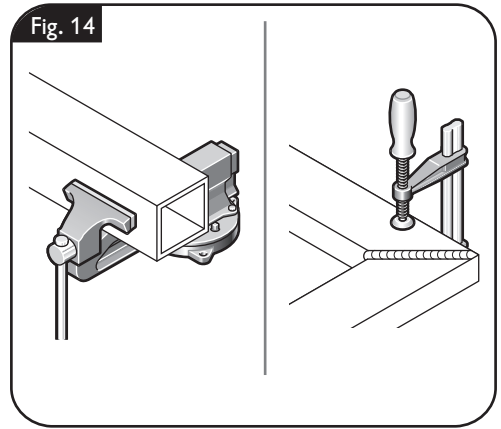
The speed range can be variably adjusted, as shown in the following figure.

Turn the dial control between “1” for the lowest speed and “6” for the highest speed.



### Securing the workpiece (figure 14).

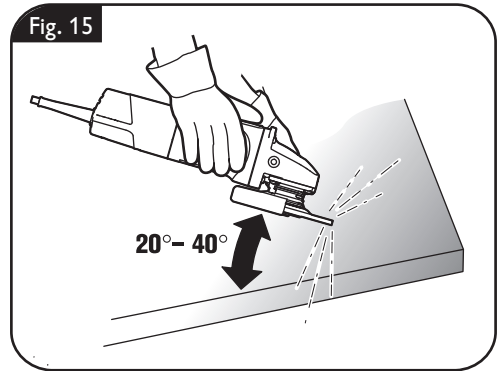
- ❗ **Secure the workpiece sufficiently.** An inadequately secured workpiece can, for example, cause the grinding accessory to jam. This can lead to kickback, cause the workpiece to fall down, and lead to other dangerous situations.



### Dry grinding (figure 15).

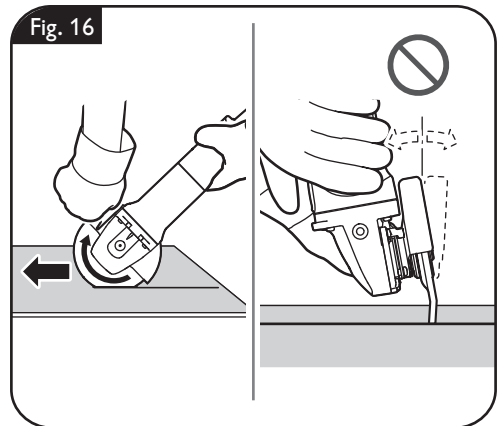
Observe a lead angle of  $20 - 40^\circ$ . This will ensure a good removal rate.

- ⚙️ Apply uniform pressure with the power tool and move it over the surface.
- ❗ Avoid excessive heating of the work-piece surface.



### Cutting (figure 16).

- ⚙️ Always work in an up-grinding motion, so that the cutting disc will not jump out of the cut.



---

## Repair and customer service.

---

**⚠ WARNING** Before mounting or replacing cutting tool or accessories, pull the power plug. This preventive safety measure rules out the danger of injuries through accidental starting of the power tool.

### Exchangeable parts

If required, you can change the following parts yourself:

Application tools, auxiliary handle, clamping flanges, wheel guard

The current spare parts list for this power tool can be found in the Internet at [www.fein.com](http://www.fein.com).

### Service.

**⚠ WARNING** Have maintenance carried out only through qualified personnel. Incorrectly mounted leads and components can cause serious injuries. Have the required service carried out only through a FEIN customer service agent.

### Cleaning.

**⚠ WARNING** Prior to any cleaning or maintenance, disconnect the power tool from the power supply in order to avoid accidents.

**⚠ WARNING** When using in environments with conductive dust in the air, such as when cutting metals, this dust can settle in the interior of the power tool. This

can impair the total insulation of the power tool. Therefore, regularly blow out the interior of the power tool from outside via the ventilation openings with dry, oil-free compressed air; always wear eye protection when doing this. For additional protection, connect a ground fault circuit interrupter (GFCI) on the line side.

**⚠ CAUTION** Do not attempt to clean clogged or dirty ventilation openings of the power tool with pointed metal objects; use nonmetal tools or objects if necessary.

**⚠ CAUTION** Do not use cleaning agents and solvents that can cause damage to plastic parts. These include: Gasoline, carbon-tetrachloride, chloric solvents, ammonia and domestic cleaning agents that contain ammonia.

**⚠ CAUTION** If the supply cable of this power tool is damaged, it must be replaced by a specially prepared cable available through the FEIN customer service center.

---

## Warranty and liability.

---

The warranty for the product is valid in accordance with the legal regulations in the country where it is marketed. In addition, FEIN also provides a guarantee in accordance with the FEIN manufacturer's warranty declaration.

All accessories described or shown in this instruction manual will not be included with your power tool.

---

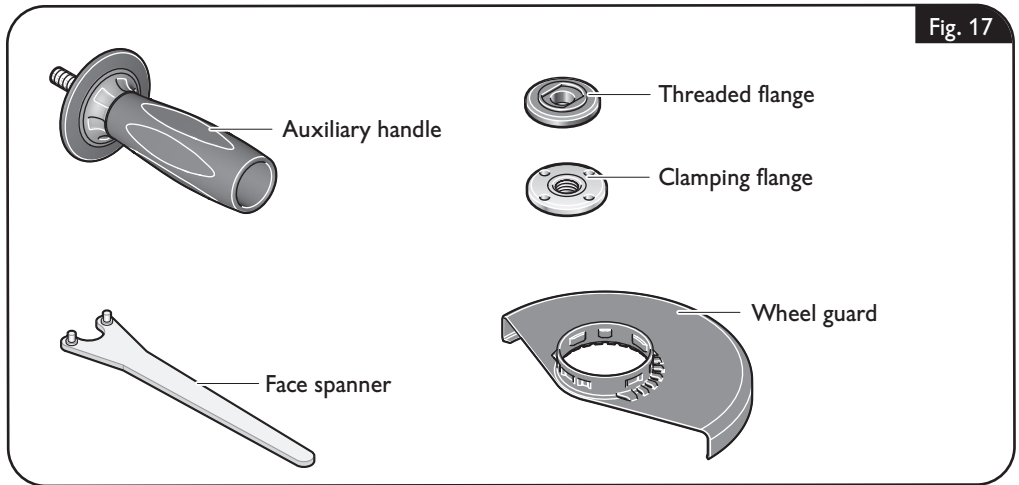
## Environmental protection, disposal.

---

Packaging, worn out power tools and accessories should be sorted for environmental-friendly recycling.

For further information, please contact your specialist shop.

## Provided accessories (figure 17).

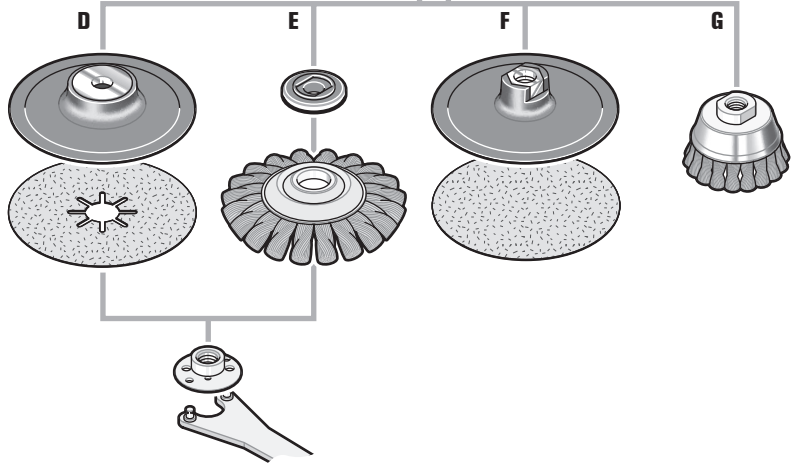
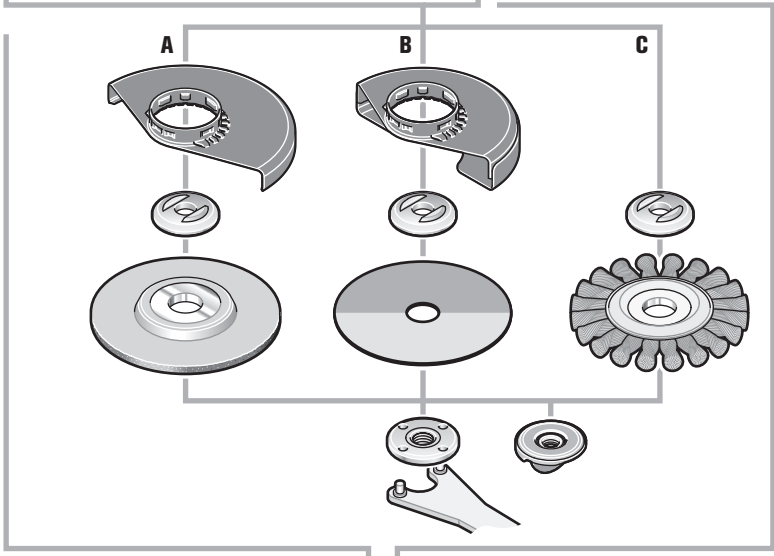


## Selection of accessories (figure 18).

Use only original FEIN accessories. The accessories must be intended for the power tool type.

- A** Grinding disc, flap disc  
(use only with mounted wheel guard)
- B** Cutting disc  
(use only with mounted cut-off wheel guard)
- C** Steel wire brush, fleece backing pad
- D** Backing pad for fibre sanding sheets, fibre sanding sheets  
(mount only with the provided backing-pad clamping unit; use only with mounted hand guard or wheel guard)
- E** Steel tapered twist brush
- F** Backing pad with Velcro, Velcro sanding sheets, sanding fleece with Velcro attachment, sponges  
(use only with mounted hand guard)
- G** Steel cup brush, round twist brushes  
(use only with mounted hand guard)

Fig. 18



## Pour votre sécurité.

### **⚠ AVERTISSEMENT** Lisez tous les avertissements de sécurité et

toutes les instructions. Ne pas suivre les avertissements et instructions peut donner lieu à une électrocution, un incendie et/ou une blessure sérieuse.

**Conservez tous les avertissements et toutes les instructions pour pouvoir vous y reporter ultérieurement.**



Ne pas utiliser cet outil électrique avant d'avoir soigneusement lu et parfaitement compris cette notice d'utilisation y compris les figures, les spécifications, les consignes de sécurité ainsi que les indications marquées par DANGER, AVERTISSEMENT et ATTENTION.

N'utiliser cet outil électrique que pour les travaux pour lesquels il a été conçu par FEIN. N'utiliser que des outils de travail et accessoires autorisés par FEIN.

De même, respectez les dispositions concernant la prévention des accidents du travail en vigueur dans le pays en question.

Le non-respect des instructions de sécurité se trouvant dans la documentation mentionnée peut entraîner un choc électrique, un incendie et/ou de graves blessures.

Bien garder cette notice d'utilisation en vue d'une utilisation ultérieure ; elle doit être jointe à l'appareil en cas de transmission ou de vente à une tierce personne.

**GARDER SOIGNEUSEMENT CES INSTRUCTIONS DE SECURITE.**

Le terme « outil électrique » dans les consignes de sécurité fait référence à votre outil électrique alimenté par le secteur (avec cordon d'alimentation) ou votre outil fonctionnant sur batterie (sans cordon d'alimentation).

## Instructions générales de sécurité.

### 1) Zone de travail

**a) Conserver la zone de travail propre et bien éclairée.** Les zones en désordre ou sombres sont propices aux accidents.

**b) Ne pas faire fonctionner les outils électrique en atmosphère explosive, par exemple en présence de liquides inflammables, de gaz ou de poussières.** Les outils électroportatifs produisent des étincelles qui peuvent enflammer les poussières ou les fumées.

**c) Maintenir les enfants et les personnes présentes à l'écart pendant l'utilisation de l'outil.** Les distractions peuvent vous faire perdre le contrôle de l'outil.

### 2) Sécurité électrique

**a) Il faut que les fiches de l'outil électrique soient adaptées au socle. Ne jamais modifier la fiche de quelque façon que ce soit. Ne pas utiliser d'adaptateurs avec des outils à branchement de terre.** Des fiches non modifiées et des socles adaptés réduiront le risque de choc électrique.

**b) Éviter tout contact du corps avec des surfaces reliées à la terre telles que les tuyaux, les radiateurs, les cuisinières et les réfrigérateurs.** Il existe un risque accru de choc électrique si votre corps est relié à la terre.

**c) Ne pas exposer les outils à la pluie ou à des conditions humides.** La pénétration d'eau à l'intérieur d'un outil augmentera le risque de choc électrique.

**d) Ne pas maltraiter le cordon. Ne jamais utiliser le cordon pour porter, tirer ou débrancher l'outil. Maintenir le cordon à l'écart de la chaleur, du lubrifiant, des arêtes ou des parties en mouvement.** Des cordons endommagés ou emmêlés augmentent le risque de choc électrique.

**e) Lorsqu'on utilise un outil à l'extérieur, utiliser un prolongateur adapté à l'utilisation extérieure.** L'utilisation d'un cordon adapté à l'utilisation extérieure réduit le risque de choc électrique.

**f) Si l'usage d'un outil dans un emplacement humide est inévitable, utilisez une alimentation protégée par un dispositif à courant différentiel résiduel (RCD).** L'usage d'un RCD réduit le risque de choc électrique.



### 3) Sécurité des personnes

- a) **Rester vigilant, regarder ce que vous êtes en train de faire. Faire preuve de bon sens dans votre utilisation de l'outil. Ne pas utiliser un outil lorsque vous êtes fatigué ou sous l'emprise de drogues, d'alcool ou de médicaments.** Un moment d'inattention en cours d'utilisation d'un outil peut entraîner des blessures graves des personnes.
- b) **Utiliser un équipement de sécurité. Toujours porter une protection pour les yeux.** Les équipements de sécurité tels que les masques contre les poussières, les chaussures de sécurité antidérapantes, les casques ou les protections acoustiques utilisés pour les conditions appropriées réduiront les blessures de personnes.
- c) **Eviter tout démarrage intempestif. S'assurer que l'interrupteur est en position arrêt avant de retirer la fiche de la prise de courant.** Porter les outils en ayant le doigt sur l'interrupteur ou brancher des outils dont l'interrupteur est en position marche est source d'accidents.
- d) **Retirer toute clé de réglage avant de mettre l'outil en marche.** Une clé laissée fixée sur une partie tournante de l'outil peut donner lieu à des blessures de personnes.
- e) **Ne pas se précipiter. Garder une position et un équilibre adaptés à tout moment.** Cela permet un meilleur contrôle de l'outil dans des situations inattendues.
- f) **S'habiller de manière adaptée. Ne pas porter de vêtements amples ou de bijoux. Garder les cheveux, les vêtements et les gants à distance des parties en mouvement.** Des vêtements amples, des bijoux ou les cheveux longs peuvent être pris dans des parties en mouvement.
- g) **Si des dispositifs sont fournis pour le raccordement d'équipements pour l'extraction et la récupération des poussières, s'assurer qu'ils sont connectés et correctement utilisés.** Utiliser des collecteurs de poussière peut réduire les risques dus aux poussières.

### 4) Utilisation et entretien de l'outil

- a) **Ne pas forcer l'outil. Utiliser l'outil adapté à votre application.** L'outil adapté réalisera mieux le travail et de manière plus sûre au régime pour lequel il a été construit.
- b) **Ne pas utiliser l'outil si l'interrupteur ne permet pas de passer de l'état de marche à arrêt et vice versa.** Tout outil qui ne peut pas être commandé par l'interrupteur est dangereux et il faut le réparer.
- c) **Débrancher la fiche de la source d'alimentation en courant et/ou le bloc de batteries de l'outil avant tout réglage, changement d'accessoires ou avant de ranger l'outil.** De telles mesures de sécurité préventives réduisent le risque de démarrage accidentel de l'outil.
- d) **Conserver les outils à l'arrêt hors de la portée des enfants. Ne pas permettre à des personnes ne connaissant pas l'outil ou les présentes instructions de le faire fonctionner.** Les outils sont dangereux entre les mains d'utilisateurs novices.
- e) **Observer la maintenance de l'outil. Vérifier qu'il n'y a pas de mauvais alignement ou de blocage des parties mobiles, des pièces cassées ou toute autre condition pouvant affecter le fonctionnement de l'outil. En cas de dommages, faire réparer l'outil avant de l'utiliser.** De nombreux accidents sont dus à des outils mal entretenus.
- f) **Garder affûtés et propres les outils permettant de couper.** Des outils destinés à couper correctement entretenus avec des pièces coupantes tranchantes sont moins susceptibles de bloquer et sont plus faciles à contrôler.
- g) **Utiliser l'outil, les accessoires et les lames etc., conformément à ces instructions et aux prescriptions en vigueur pour ce type d'appareil. Tenir compte également des conditions de travail et du travail à réaliser.** L'utilisation de l'outil pour des opérations différentes de celles prévues pourrait donner lieu à des situations dangereuses.

## 5) Maintenance et entretien

- a) **Faire entretenir l'outil par un réparateur qualifié utilisant uniquement des pièces de rechange identiques.** Cela assurera que la sécurité de l'outil est maintenue.

## Instructions particulières de sécurité.

### **Avertissements de sécurité communs pour les opérations de meulage, de ponçage, de brossage métallique, ou de tronçonnage par meule abrasive**

Cet outil électrique est destiné à fonctionner comme meuleuse, ponceuse, brosse métallique ou outil à tronçonner. Lire toutes les mises en garde de sécurité, les instructions, les illustrations et les spécifications fournies avec cet outil électrique. Le fait de ne pas suivre toutes les instructions données ci-dessous peut provoquer un choc électrique, un incendie et/ou une blessure grave.

**Les opérations de lustrage ne sont pas recommandées avec cet outil électrique.** Les opérations pour lesquelles l'outil électrique n'a pas été conçu peuvent provoquer un danger et causer un accident corporel.

**Ne pas utiliser d'accessoires non conçus spécifiquement et recommandés par le fabricant d'outils.** Le simple fait que l'accessoire puisse être fixé à votre outil électrique ne garantit pas un fonctionnement en toute sécurité.

**La vitesse assignée de l'accessoire doit être au moins égale à la vitesse maximale indiquée sur l'outil électrique.** Les accessoires fonctionnant plus vite que leur vitesse assignée peuvent se rompre et voler en éclat.

**Le diamètre extérieur et l'épaisseur de votre accessoire doivent se situer dans le cadre des caractéristiques de capacité de votre outil électrique.** Les accessoires dimensionnés de façon incorrecte ne peuvent pas être protégés ou commandés de manière appropriée.

**La taille de mandrin des meules, flasques, patins d'appui ou tout autre accessoire doit s'adapter correctement à l'arbre de l'outil électrique.** Les accessoires avec alésages centraux ne correspondant pas aux éléments de montage de l'outil électrique seront en déséquilibre, vibreront excessivement, et pourront provoquer une perte de contrôle.

**Ne pas utiliser d'accessoire endommagé.** Avant chaque utilisation examiner les accessoires comme les meules abrasives pour détecter la présence éventuelle de copeaux et fissures, les patins d'appui pour détecter des traces éventuelles de fissures, de déchirure ou d'usure excessive, ainsi que les brosses métalliques pour détecter des fils desserrés ou fissurés. Si l'outil électrique ou l'accessoire a subi une chute, examiner les dommages éventuels ou installer un accessoire non endommagé. Après examen et installation d'un accessoire, placez-vous ainsi que les personnes présentes à distance du plan de l'accessoire rotatif et faites marcher l'outil électrique à vitesse maximale à vide pendant 1 min. Les accessoires endommagés seront normalement détruits pendant cette période d'essai.

**Porter un équipement de protection individuelle.** En fonction de l'application, utiliser un écran facial, des lunettes de sécurité ou des verres de sécurité. Le cas échéant, utiliser un masque antipoussières, des protections auditives, des gants et un tablier capables d'arrêter les petits fragments abrasifs ou des pièces à usiner. La protection oculaire doit être capable d'arrêter les débris volants produits par les diverses opérations. Le masque antipoussières ou le masque respiratoire doit être capable de filtrer les particules produites par vos travaux. L'exposition prolongée aux bruits de forte intensité peut provoquer une perte de l'audition.

**Maintenir les personnes présentes à une distance de sécurité par rapport à la zone de travail.** Toute personne entrant dans la zone de travail doit porter un équipement de protection individuelle. Des fragments de pièce à usiner ou d'un accessoire cassé peuvent être projetés et provoquer des blessures en dehors de la zone immédiate d'opération.

**Tenir l'outil uniquement par les surfaces de préhension isolantes, pendant les opérations au cours desquelles l'accessoire coupant peut être en contact avec des conducteurs cachés ou avec son propre câble.** Le contact de l'accessoire coupant avec un fil « sous tension » peut mettre « sous tension » les parties métalliques exposées de l'outil électrique et provoquer un choc électrique sur l'opérateur.

**Placer le câble éloigné de l'accessoire en rotation.** Si vous perdez le contrôle, le câble peut être coupé ou subir un accroc et votre main ou votre bras peut être tiré dans l'accessoire en rotation.

**Ne jamais reposer l'outil électrique avant que l'accessoire n'ait atteint un arrêt complet.** L'accessoire de rotation peut agripper la surface et arracher l'outil électrique hors de votre contrôle.

**Ne pas faire fonctionner l'outil électrique en le portant sur le côté.** Un contact accidentel avec l'accessoire en rotation pourrait accrocher vos vêtements et attirer l'accessoire sur vous.

**Nettoyer régulièrement les orifices d'aération de l'outil électrique.** Le ventilateur du moteur attirera la poussière à l'intérieur du boîtier et une accumulation excessive de poudre de métal peut provoquer des dangers électriques.

**Ne pas faire fonctionner l'outil électrique à proximité de matériaux inflammables.** Des étincelles pourraient enflammer ces matériaux.

**Ne pas utiliser d'accessoires qui nécessitent des réfrigérants fluides.** L'utilisation d'eau ou d'autres réfrigérants fluides peut aboutir à une électrocution ou un choc électrique.

## **Rebonds et mises en garde correspondantes**

Le rebond est une réaction soudaine au pincement ou à l'accrochage d'une meule rotative, d'un patin d'appui, d'une brosse ou de tout autre accessoire. Le pincement ou l'accrochage provoque un blocage rapide de l'accessoire en rotation qui, à son tour, contraint l'outil électrique hors de contrôle dans le sens opposé de rotation de l'accessoire au point du grippage.

Par exemple, si une meule abrasive est accrochée ou pincée par la pièce à usiner, le bord de la meule qui entre dans le point de pincement peut creuser la surface du matériau, provoquant des sauts ou l'expulsion de la meule. La meule peut sauter en direction de l'opérateur ou encore en s'en éloignant, selon le sens du mouvement de la meule au point de pincement. Les meules abrasives peuvent également se rompre dans ces conditions. Le rebond résulte d'un mauvais usage de l'outil et/ou de procédures ou de conditions de fonctionnement incorrectes et peut être évité en prenant les précautions appropriées spécifiées ci-dessous.

**Maintenir solidement l'outil et positionner le corps et le bras de manière à pouvoir résister aux forces de rebond. Toujours utiliser la poignée auxiliaire, le cas échéant, pour contrôler au maximum les rebonds ou les réactions de couple au moment du démarrage.** L'opérateur est en mesure de contrôler les réactions de couple ou les forces de rebond, si des précautions appropriées ont été prises.

**Ne jamais placer votre main à proximité de l'accessoire en rotation.** L'accessoire peut effectuer un rebond sur votre main.

**Ne pas vous placer dans la zone où l'outil électrique se déplacera en cas de rebond.** Le rebond pousse l'outil dans le sens opposé au mouvement de la meule au point d'accrochage.

**Etre particulièrement prudent lors d'opérations sur des coins, des arêtes vives etc. Eviter que l'accessoire ne rebondisse et ne s'accroche.** Les coins, les arêtes vives ou les rebondissements ont tendance à accrocher l'accessoire en rotation et à provoquer une perte de contrôle ou un rebond.

**Ne pas fixer de chaîne coupante ni de lame de scie dentée.** De telles lames provoquent des rebonds fréquents et des pertes de contrôle.

## Mises en garde de sécurité spécifiques aux opérations de meulage et de tronçonnage abrasif

**Utiliser uniquement des types de meules recommandés pour votre outil électrique et le protecteur spécifique conçu pour la meule choisie.** Les meules pour lesquelles l'outil électrique n'a pas été conçu ne peuvent pas être protégées de façon satisfaisante et sont dangereuses.

**La surface de meulage des meules à moyeu déporté doit être montée sous le plan de la lèvre du protecteur.** Une meule montée de manière incorrecte qui dépasse du plan de la lèvre du protecteur ne peut pas être protégée de manière appropriée.

**Le protecteur doit être solidement fixé à l'outil électrique et placé en vue d'une sécurité maximale, de sorte que l'opérateur soit exposé le moins possible à la meule.** Le protecteur permet de protéger l'opérateur des fragments de meule cassée, d'un contact accidentel avec la meule et d'étincelles susceptibles d'enflammer les vêtements.

**Les meules doivent être utilisées uniquement pour les applications recommandées. Par exemple : ne pas meuler avec le côté de la meule à tronçonner.** Les meules à tronçonner abrasives sont destinées au meulage périphérique, l'application de forces latérales à ces meules peut les briser en éclats.

**Toujours utiliser des flasques de meule non endommagés qui sont de taille et de forme correctes pour la meule que vous avez choisie.** Des flasques de meule appropriés supportent la meule réduisant ainsi la possibilité de rupture de la meule. Les flasques pour les meules à tronçonner peuvent être différents des autres flasques de meule.

**Ne pas utiliser de meules usées d'outils électriques plus grands.** La meule destinée à un outil électrique plus grand n'est pas appropriée pour la vitesse plus élevée d'un outil plus petit et elle peut éclater.

## Mises en garde de sécurité additionnelles spécifiques aux opérations de tronçonnage abrasif

**Ne pas « coincer » la meule à tronçonner ou ne pas appliquer une pression excessive. Ne pas tenter d'exécuter une profondeur de coupe excessive.** Une contrainte excessive de la meule augmente la charge et la probabilité de torsion ou de blocage de la meule dans la coupe et la possibilité de rebond ou de rupture de la meule.

**Ne pas vous placer dans l'alignement de la meule en rotation ni derrière celle-ci.** Lorsque la meule, au point de fonctionnement, s'éloigne de votre corps, le rebond éventuel peut propulser la meule en rotation et l'outil électrique directement sur vous.

**Lorsque la meule se bloque ou lorsque la coupe est interrompue pour une raison quelconque, mettre l'outil électrique hors tension et tenir l'outil électrique immobile jusqu'à ce que la meule soit à l'arrêt complet. Ne jamais tenter d'enlever le disque à tronçonner de la coupe tandis que la meule est en mouvement sinon le rebond peut se produire.** Rechercher et prendre des mesures correctives afin d'empêcher que la meule ne se grippe.

**Ne pas redémarrer le découpage dans l'ouvrage. Laisser la meule atteindre sa pleine vitesse et la replacer avec précaution dans la coupe.** La meule peut se coincer, se rapprocher ou provoquer un rebond si l'outil est redémarré lorsqu'elle se trouve dans l'ouvrage.

**Prévoir un support de panneaux ou de toute pièce à usiner surdimensionnée pour réduire le risque de pincement et de rebond de la meule.** Les grandes pièces à usiner ont tendance à fléchir sous leur propre poids. Les supports doivent être placés sous la pièce à usiner près de la ligne de coupe et près du bord de la pièce des deux côtés de la meule.

**Soyez particulièrement prudent lorsque vous faites une « coupe en retrait » dans des parois existantes ou dans d'autres zones sans visibilité.** La meule saillante peut couper des tuyaux de gaz ou d'eau, des câblages électriques ou des objets, ce qui peut entraîner des rebonds.

## Mises en garde de sécurité spécifiques aux opérations de ponçage

**Ne pas utiliser de papier abrasif trop surdimensionné pour les disques de ponçage. Suivre les recommandations des fabricants, lors du choix du papier abrasif.** Un papier abrasif plus grand s'étendant au-delà du patin de ponçage présente un danger de laceration et peut provoquer un accrochage, une déchirure du disque ou un rebond.

## Mises en garde de sécurité spécifiques aux opérations de brossage métallique

**Garder à l'esprit que des brins métalliques sont rejetés par la brosse même au cours d'une opération ordinaire. Ne pas soumettre à une trop grande contrainte les fils métalliques en appliquant une charge excessive à la brosse.** Les brins métalliques peuvent aisément pénétrer dans des vêtements légers et/ou la peau.

**Si l'utilisation d'un protecteur est recommandée pour le brossage métallique, ne permettre aucune gêne du touret ou de la brosse métallique au protecteur.** Le touret ou la brosse métallique peut se dilater en diamètre en raison de la charge de travail et des forces centrifuges.

## Avertissements de sécurité supplémentaires

**Utilisez les entretoises si celles-ci sont fournies avec la meule.**

**Assurez-vous que les accessoires sont montés conformément aux indications du fabricant. Une fois les accessoires montés, ils doivent pouvoir tourner librement.** Les accessoires mal montés peuvent se détacher pendant le travail et être éjectés hors de l'appareil.

**Maniez avec précaution les meules et rangez-les conformément aux instructions du fabricant.** Les meules endommagées peuvent avoir des fissures et se fendre lors du travail.

**Lors de l'utilisation d'accessoires avec insert de file-tage, veillez à ce que le filetage dans l'accessoire soit suffisamment long pour pouvoir intégrer la longueur de la broche de l'outil électrique. Le filetage dans l'outil électrique doit correspondre à celui de la broche.** Les accessoires mal montés peuvent se détacher lors du travail et causer des blessures.

**Ne dirigez pas l'outil électrique vers vous-même ou vers d'autres personnes ou des animaux.** Il y a un danger de blessure causé par des outils de travail tranchants ou chauds.

**Faites attention aux câbles électriques, conduites de gaz et d'eau éventuellement cachés.** Avant de commencer le travail, contrôlez la zone de travail à l'aide d'un détecteur de métaux par exemple.

**Utilisez un dispositif d'aspiration stationnaire, soufflez souvent les ouïes de ventilation et placez un dispositif différentiel à courant résiduel (DDR) en amont.** En cas de conditions d'utilisation extrêmes, il est possible, lorsqu'on travaille des matériaux métalliques, que des poussières conductrices se déposent à l'intérieur de l'outil électrique. Cela peut nuire à la double isolation de l'outil électrique.

**Cet outil électrique à double isolation est équipé d'une fiche polarisée (un contact est plus large que l'autre). La fiche ne peut être introduite dans la prise polarisée que dans une seule position. Tourner la fiche au cas où celle-ci n'entrerait pas complètement dans la prise de courant. Au cas où la fiche n'entrerait toujours pas, faire appel à un électricien autorisé à effectuer l'installation d'une prise de courant polarisée. Ne modifier la fiche en aucun cas.** Les outils électriques à double isolation n'ont pas besoin d'un câble de secteur à 3 brins ni d'une connexion au secteur mise à la terre.

**N'exploiter l'outil électrique qu'aux alimentations en courant dont les valeurs de tension et de fréquence correspondent aux valeurs indiquées sur la plaque signalétique de l'outil électrique.**

**Au cas où il faudrait utiliser l'outil électrique dans un emplacement humide, celui-ci doit être branché au moyen d'un dispositif à courant différentiel réduit (RCC).** L'utilisation de gants de protection spécifiques en caoutchouc et de chaussures de protection augmente la sécurité personnelle.

**REMARQUE** : Un tel composant est aussi appelé disjoncteur-protecteur ou disjoncteur différentiel.

**Il est interdit de visser ou de riveter des plaques ou des repères sur l'outil électrique.**

Une isolation endommagée ne présente aucune protection contre une électrocution. Utilisez des autocollants.

## Maniement de poussières nocives.

**⚠ AVERTISSEMENT** Lors du travail avec des outils, par ex. lors du ponçage, polissage, sciage ou d'autres opérations enlevant du matériau, des poussières sont générées qui peuvent être nocives pour la santé, auto-inflammables ou explosives.

Toucher ou aspirer certaines poussières peut causer des réactions allergiques et/ou des maladies respiratoires, un cancer, des malformations à la naissance ou autres anomalies de reproduction auprès de l'utilisateur ou de personnes se trouvant à proximité.

Quelques exemples de tels matériaux et des produits chimiques qu'ils contiennent dont l'usage génère des poussières nocives :

- l'amiante et les matériaux contenant de l'amiante ;
- peintures contenant du plomb, certains bois tels que le bois de chêne et de hêtre ;
- minéraux et métal ;
- les particules de silicate contenues dans les briques, le béton et autres matériaux contenant de la roche ;
- les solvants contenus dans les vernis et peintures ;
- l'arsenic, le chrome et d'autres lazures ;
- produits pour la lutte contre les vermines sur la coque de bateaux et de bâtiments ;
- poussières d'aciers fins, poussières de métaux et poussières de métaux non-ferreux.

**Toujours travailler avec la poignée supplémentaire.** La poignée supplémentaire garantit un guidage sûr de l'outil électrique.

**Avant la mise en service, assurez-vous que le câble de raccordement et la fiche sont en parfait état.**

**Recommandation : Faites toujours fonctionner l'outil électrique sur un réseau électrique équipé d'un disjoncteur différentiel 30 mA max.**

Pour minimiser la résorption indésirable de ces matériaux :

- Utilisez une aspiration adaptée à la poussière générée.
- Utilisez des équipements personnels de protection tels que par exemple un masque anti-poussière de la classe filtre P2.
- Veillez à bien aérer la zone de travail.

Le risque causé par le fait d'aspirer des poussières dans les poumons dépend de la fréquence à laquelle ces matériaux sont travaillés. Les matériaux contenant de l'amiante ne doivent être travaillés que par des personnes qualifiées.

**⚠ ATTENTION** Les poussières de bois et les poussières de métaux légers peuvent causer une auto-inflammation ou une explosion.

Des mélanges chauds de poussières de ponçage contenant des résidus de vernis, de polyuréthane ou de produits chimiques dans le sac à poussières en papier ou dans le filtre de l'aspirateur peuvent s'enflammer dans des conditions défavorables tels que projection d'étincelles lors du ponçage de métaux, soleil direct permanent ou température ambiante élevée. Pour prévenir ces conditions :

- Evitez la surchauffe des matériaux usinés et de l'outil électrique.
- Videz le bac de récupération des poussières à temps.
- Respectez les indications de travail du fabricant du matériau.
- Respectez les règlements en vigueur dans votre pays spécifiques aux matériaux à traiter.

## Vibrations mains-bras.

**⚠ AVERTISSEMENT** **Des vibrations mains-bras sont générées lors du travail avec cet outil électrique.** Celles-ci peuvent entraîner des effets néfastes sur la santé.

**⚠ AVERTISSEMENT** La valeur réelle des vibrations lors de l'utilisation de l'outil électrique peut dévier des valeurs indiquées, en fonction de l'utilisation de l'outil électrique.

**⚠ AVERTISSEMENT** Pour protéger l'opérateur, des mesures de sécurité doivent être déterminées sur la base de la sollicitation vibratoire estimée pendant l'utilisation effective.

Le niveau d'oscillation indiqué dans ces instructions d'utilisation a été mesuré conformément à la norme EN 60745 et peut être utilisé pour une comparaison d'outils électroportatifs. Il est également approprié pour une estimation préliminaire de la charge vibratoire.

Le niveau d'oscillation correspond aux utilisations principales de l'outil électroportatif. Si l'outil électrique est cependant utilisé pour d'autres applications, avec d'autres outils de travail ou avec un entretien non approprié, le niveau d'oscillation peut être différent. Ceci peut augmenter considérablement la charge vibratoire pendant toute la durée de travail. Pour une estimation précise de la charge vibratoire, il est recommandé de prendre aussi en considération les périodes pendant lesquelles l'appareil est éteint ou en fonctionnement, mais pas vraiment utilisé. Ceci peut réduire considérablement la charge vibratoire pendant toute la durée de travail.

Déterminez des mesures de protection supplémentaires pour protéger l'utilisateur des effets de vibrations, telles que par exemple : entretien de l'outil électrique et des outils de travail, maintenir les mains chaudes, organisation judicieuse des opérations de travail.

## Valeurs d'émission pour niveau sonore et vibration (Indication à deux chiffres conformément à la norme ISO 4871)

Emission acoustique	WSG 8-115 (**)	WSG 8-125 (**)	WSG 11-125 (**)	WSG 11-150 (**)	WSG 12-125P (**)
Mesure réelle (A) du niveau de pression acoustique sur le lieu de travail $L_{pA}$ (re 20 $\mu$ Pa), en décibel	90	90	90	90	89
Incertitude $K_{pA}$ , en décibel	3	3	3	3	3
Mesure réelle (A) du niveau d'intensité acoustique pondéré $L_{wA}$ (re 1 pW), en décibel	101	101	101	101	100
Incertitude $K_{wA}$ , en décibel	3	3	3	3	3
Mesure réelle (C) du niveau max. de pression acoustique sur le lieu de travail $L_{pCpeak}$ , en décibel	105	105	105	105	104
Incertitude $K_{pCpeak}$ , en décibel	3	3	3	3	3
<b>Vibration</b>					
Valeur de vibration moyenne pour le meulage d'angle $a_{h,AG}$ , en					
- $m/s^2$	5.0	5.0	6.0	5.5	5.0
- $ft/s^2$	16.4	16.4	19.7	18.0	16.4
Valeur de vibration moyenne pour le ponçage avec feuille abrasive $a_{h,DS}$ , en					
- $m/s^2$	1.8	1.8	1.8	1.8	2.0
- $ft/s^2$	5.9	5.9	5.9	5.9	6.6
Incertitude $K$ , en					
- $m/s^2$	1.5	1.5	1.5	1.5	1.5
- $ft/s^2$	4.9	4.9	4.9	4.9	4.9

REMARQUE : La somme de la valeur d'émission mesurée et de l'incertitude constitue la limite supérieure des valeurs qui peuvent apparaître pendant des mesurages.



Porter une protection acoustique !

Valeurs de mesure mesurées conformément à la norme correspondante du produit.



<b>Emission acoustique</b>	<b>WSG 17-125P (**)</b>	<b>WSG 17-125PS (**)</b>	<b>WSG 17-150P (**)</b>	<b>WSG 17-70 Inox (**)</b>
Mesure réelle (A) du niveau de pression acoustique sur le lieu de travail $L_{pA}$ (re 20 $\mu$ Pa), en décibel	90	90	90	90
Incertitude $K_{pA}$ , en décibel	3	3	3	3
Mesure réelle (A) du niveau d'intensité acoustique pondéré $L_{wA}$ (re 1 pW), en décibel	101	101	101	101
Incertitude $K_{wA}$ , en décibel	3	3	3	3
Mesure réelle (C) du niveau max. de pression acoustique sur le lieu de travail $L_{pCpeak}$ en décibel	105	105	105	105
Incertitude $K_{pCpeak}$ en décibel	3	3	3	3

### **Vibration**

Valeur de vibration moyenne pour le meulage d'angle  $\alpha_{h,AG}$ , en

- $m/s^2$	5.0	5.0	5.0	4.1
- $ft/s^2$	16.4	16.4	16.4	13.5

Valeur de vibration moyenne pour le ponçage avec feuille abrasive  $\alpha_{h,DS}$ , en

- $m/s^2$	3.5	3.5	3.5	2.2
- $ft/s^2$	11.5	11.5	11.5	7.2

Incertitude  $K$ , en

- $m/s^2$	1.5	1.5	1.5	1.5
- $ft/s^2$	4.9	4.9	4.9	4.9

REMARQUE : La somme de la valeur d'émission mesurée et de l'incertitude constitue la limite supérieure des valeurs qui peuvent apparaître pendant des mesurages.



Porter une protection acoustique !

Valeurs de mesure mesurées conformément à la norme correspondante du produit.

**Emission acoustique**

	WSG 11-125R (**)	WSG 11-150R (**)	WSG 17-125PR (**)	WSG 17-150PR (**)	WSG 17-70 InoxR (**)
	WSG 11-125RT (**)	WSG 11-150RT (**)	WSG 17-125PRT (**)	WSG 17-150PRT (**)	WSG 17-70 InoxRT (**)
Mesure réelle (A) du niveau de pression acoustique sur le lieu de travail $L_{pA}$ (re 20 $\mu$ Pa), en décibel	90	90	90	90	90
Incertitude $K_{pA}$ , en décibel	3	3	3	3	3
Mesure réelle (A) du niveau d'intensité acoustique pondéré $L_{WA}$ (re 1 pW), en décibel	101	101	101	101	101
Incertitude $K_{WA}$ , en décibel	3	3	3	3	3
Mesure réelle (C) du niveau max. de pression acoustique sur le lieu de travail $L_{pCpeak}$ en décibel	105	105	105	105	105
Incertitude $K_{pCpeak}$ en décibel	3	3	3	3	3

**Vibration**

Valeur de vibration moyenne pour le meulage d'angle  $\alpha_{h,AG}$ , en

- $m/s^2$	7.9	7.3	5.9	5.0	3.4
- $ft/s^2$	25.9	24.0	19.4	16.4	11.2

Valeur de vibration moyenne pour le ponçage avec feuille abrasive  $\alpha_{h,DS}$ , en

- $m/s^2$	1.5	1.5	2.1	1.6	1.6
- $ft/s^2$	4.9	4.9	6.9	5.3	5.3

Incertitude  $K$ , en

- $m/s^2$	1.5	1.5	1.5	1.5	1.5
- $ft/s^2$	4.9	4.9	4.9	4.9	4.9

REMARQUE : La somme de la valeur d'émission mesurée et de l'incertitude constitue la limite supérieure des valeurs qui peuvent apparaître pendant des mesurages.



Porter une protection acoustique !

Valeurs de mesure mesurées conformément à la norme correspondante du produit.

## Câble de rallonge.

**⚠ AVERTISSEMENT** Au cas où une rallonge serait nécessaire, la longueur ainsi que la section du conducteur de celle-ci doivent être appropriées à l'utilisation afin d'éviter une baisse de tension dans la rallonge, une perte de puissance et une surchauffe de l'outil électrique. Sinon la rallonge et l'outil électrique présentent des dangers électriques et l'efficacité du travail est entravée.

**Dimensions recommandées pour câbles de rallonge pour une tension de service de 120 V courant alternatif monophasé si seulement un outil électrique WSG8 (\*\*), WSG11 (\*\*), WSG12 (\*\*), WSG17 (\*\*) est raccordé :**

### WSG12 (\*\*), WSG17 (\*\*):

Longueur du câble en pieds			Longueur du câble en m		
≤ 100	100 -200	200 -300	≤ 30	30 - 60	60 -100
Dimension min. du conducteur en format américain (A.W.G.)			Section min. du conducteur, mm <sup>2</sup>		
14	12	10	2.5	4.0	6.0

### WSG8 (\*\*), WSG11 (\*\*):

Longueur du câble en pieds			Longueur du câble en m		
≤ 100	100 -200	200 -300	≤ 30	30 - 60	60 -100
Dimension min. du conducteur en format américain (A.W.G.)			Section min. du conducteur, mm <sup>2</sup>		
16	14	12	1.5	2.5	4.0

## Conception de l'outil électrique :

meuleuse d'angle électroportative, conçue pour le meulage à sec et le tronçonnage de pierre et de métal à l'abri des intempéries avec les outils de travail et les accessoires autorisés par FEIN.

## Fonctionnement de l'outil électrique avec des générateurs de courant.

**!** Cet outil électrique est également conçu pour fonctionner sur des groupes électrogènes d'une puissance suffisante correspondant à la norme ISO 8528, classe de modèle G2. Cette norme n'est pas respectée si le facteur de distorsion harmonique dépasse 10 %. En cas de doute, informez-vous sur le groupe électrogène utilisé.

**⚠ AVERTISSEMENT** Il est interdit de faire fonctionner l'outil électrique sur des générateurs de courant dont la tension à vide dépasse la valeur de tension indiquée sur la plaque signalétique de l'outil électrique.

## Symboles.

Symbole, signe	Explication
	Signal d'interdiction général. Cette action est interdite !
	Ne pas toucher les éléments en rotation de l'outil électrique.
	Suivre les indications données dans le texte ou la représentation graphique ci-contre !
	Lire impérativement les documents ci-joints tels que la notice d'utilisation et les instructions générales de sécurité.
	Avant d'effectuer ce travail, retirez la fiche de la prise de courant. Sinon, il y a risque de blessures dû à un démarrage non intentionné de l'outil électrique.
	Lors des travaux, porter une protection oculaire.
	Lors des travaux, porter une protection acoustique.
	Lors des travaux, porter une protection anti-poussière.
	Lors des travaux, utiliser un protège-main.
	Une surface qui peut être touchée est très chaude et donc dangereuse.
	Ce symbole confirme la certification de ce produit aux Etats-Unis et au Canada.
	Cette indication met en garde contre une situation dangereuse imminente. Une mauvaise manipulation peut entraîner de graves blessures ou la mort.
	Cette indication indique une situation éventuellement dangereuse pouvant entraîner de graves blessures ou la mort.
	Cette indication met en garde contre une situation potentiellement dangereuse qui peut entraîner des blessures.
	Trier les outils électriques ainsi que tout autre produit électrotechnique et électrique et les déposer à un centre de recyclage respectant les directives relatives à la protection de l'environnement.
	Produit avec double isolation ou isolation renforcée
~ ou a. c.	Courant alternatif
— ou d.c.	courant continu
1~	Courant alternatif, monophasé
(**)	peut contenir des chiffres ou des lettres

Signe	Unité nationale	Explication
$n_0$	rpm; /min; $\text{min}^{-1}$ ; r/min	Vitesse de référence
$P$	W	Unité de mesure pour la puissance électrique
	°	Unité de mesure pour la largeur d'angle
$U$	V	Unité de mesure pour la tension électrique
$f$	Hz	Unité de mesure pour la fréquence
$I$	A	Unité de mesure pour l'intensité du courant électrique
$m$	kg, lbs	Unité de mesure pour la masse
$l$	ft, in	Unité de mesure pour longueur, largeur, hauteur, profondeur, diamètre ou filetage
$\emptyset$	ft, in	Diamètre d'un élément
	m, s, kg, A, mm, V, W, Hz, N, °C, dB, min, $\text{m/s}^2$	Unités de base et unités dérivées du système international <b>SI</b> .

## Description technique et spécification.

**⚠ AVERTISSEMENT** Avant de commencer les travaux de montage ou avant de changer les outils de travail et les accessoires, retirer la fiche de secteur. Cette mesure de sécurité préventive exclut un danger de blessure causé par un démarrage non intentionné de l'outil électrique.

Il se peut que seule une partie des accessoires décrits ou représentés dans cette notice d'utilisation soit fournie avec l'outil électrique.

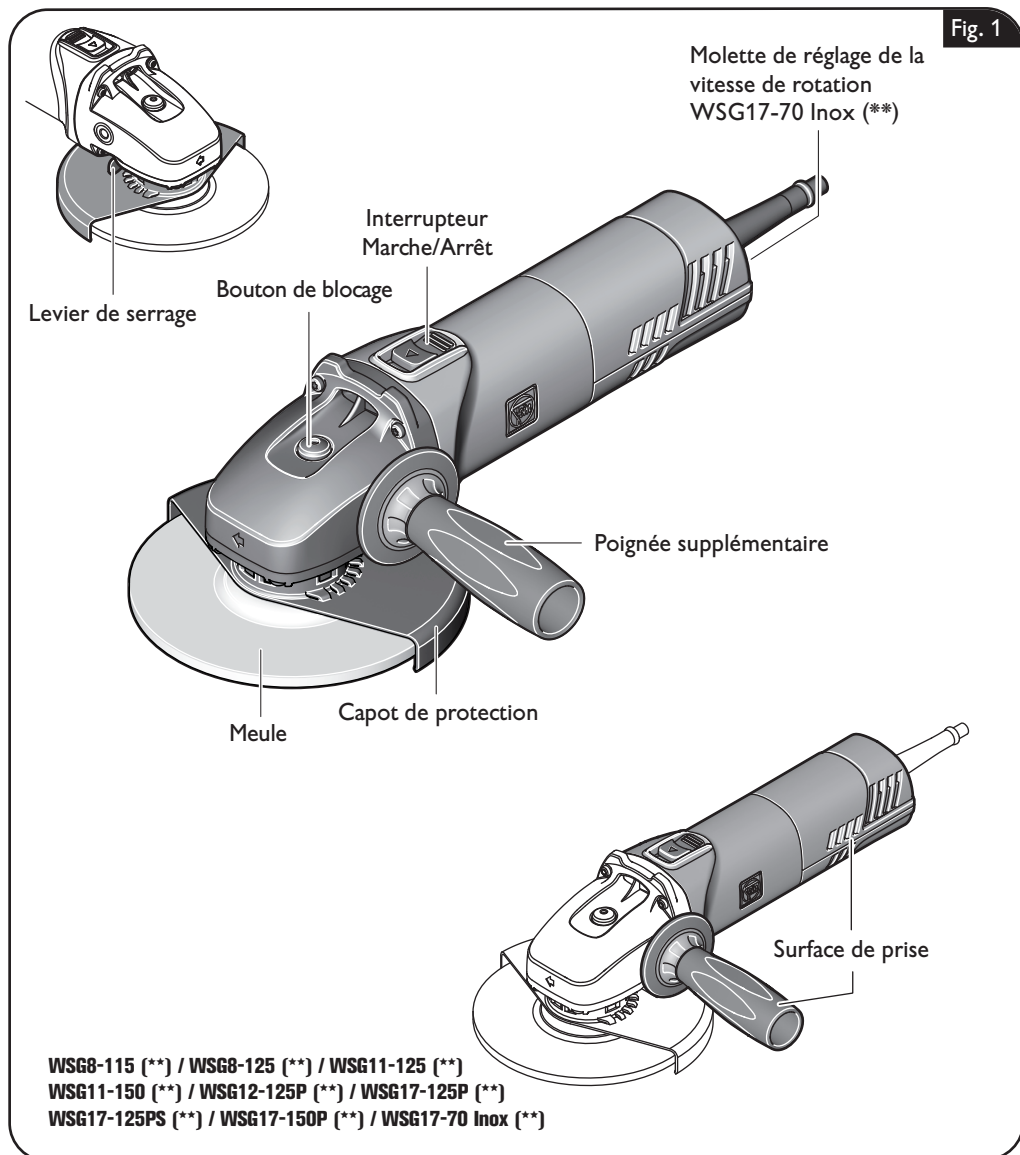
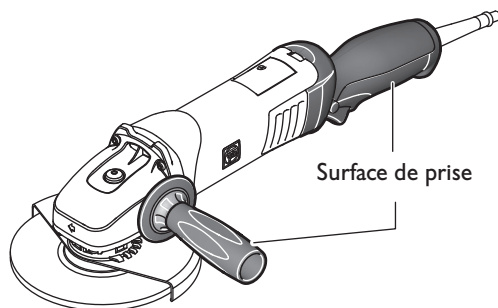
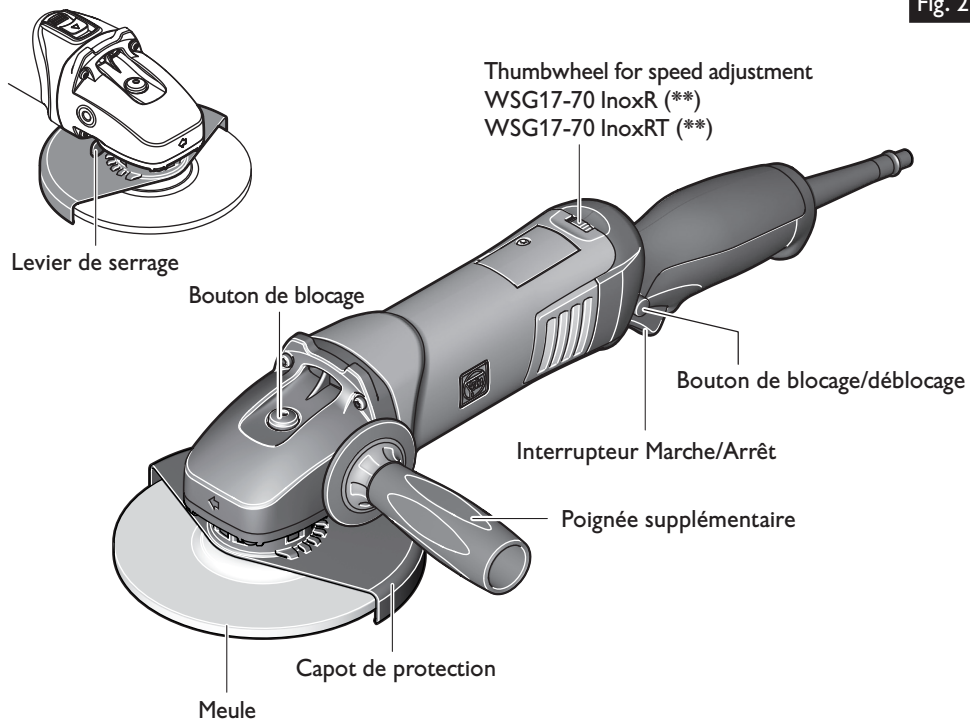


Fig. 2



**WSG11-125R (\*\*)** / **WSG11-125RT (\*\*)**  
**WSG11-150R (\*\*)** / **WSG11-150RT (\*\*)**  
**WSG17-125PR (\*\*)** / **WSG17-125PRT (\*\*)**  
**WSG17-150PR (\*\*)** / **WSG17-150PRT (\*\*)**  
**WSG17-70 InoxR (\*\*)** / **WSG17-70 InoxRT (\*\*)**

Type	WSG8-115 (**)	WSG8-125 (**)	WSG11-125 (**)	WSG11-150 (**)	WSG12-125P (**)
Référence	7 222 ...	7 222 ...	7 222 ...	7 222 ...	7 222 ...
Courant absorbé	6.9 A	6.9 A	9.6 A	9.6 A	10.5 A
Type de courant	~ (a. c.) = (d. c.)	~ (a. c.) = (d. c.)	~ (a. c.) = (d. c.)	~ (a. c.) = (d. c.)	~ (a. c.)
Vitesse de référence	11000 rpm	11000 rpm	11000 rpm	8500 rpm	11000 rpm
Ø <sub>D</sub> =diamètre max. de la meule/du disque de tronçonnage	4 1/2 in 115 mm	5 in 125 mm	5 in 125 mm	6 in 150 mm	5 in 125 mm
Diamètre de l'alésage	7/8 in 22.23 mm	7/8 in 22.23 mm	7/8 in 22.23 mm	7/8 in 22.23 mm	7/8 in 22.23 mm
Épaisseur du disque de meulage/de tronçonnage	1/16 in – 1/4 in 1 mm – 6 mm	1/16 in – 1/4 in 1 mm – 6 mm	1/16 in – 1/4 in 1 mm – 6 mm	1/16 in – 1/4 in 1 mm – 6 mm	1/16 in – 1/4 in 1 mm – 6 mm
Diamètre max. du plateau de ponçage	4 1/2 in 115 mm	4 1/2 in – 5 in 115/125 mm	4 1/2 in – 5 in 115/125 mm	5 in – 6 in 125/150 mm	4 1/2 in – 5 in 115/125 mm
Filetage de la flasque de serrage	5/8 in – 11UNC	5/8 in – 11UNC	5/8 in – 11UNC	5/8 in – 11UNC	5/8 in – 11UNC
Longueur de la broche filetée	3/4 in 20 mm	3/4 in 20 mm	3/4 in 20 mm	3/4 in 20 mm	3/4 in 20 mm
Poids suivant EPTA-Procédure 01	4.5 lbs (2.0 kg)	4.5 lbs (2.0 kg)	4.9 lbs (2.2 kg)	5.3 lbs (2.4 kg)	4.6 lbs (2.1 kg)
Classe de protection	□/II	□/II	□/II	□/II	□/II

Type	WSG17-125P (**)	WSG17-125PS (**)	WSG17-150P (**)	WSG17-70 Inox (**)
Référence	7 222 ...	7 222 ...	7 222 ...	7 222 ...
Courant absorbé	13 A	13 A	13 A	13 A
Type de courant	~ (a. c.)	~ (a. c.)	~ (a. c.)	~ (a. c.)
Vitesse de référence	11000 rpm	7900 rpm	8500 rpm	2500 – 7900 rpm
Ø <sub>D</sub> =diamètre max. de la meule/du disque de tronçonnage	5 in 125 mm	5 in 125 mm	6 in 150 mm	5 in 125 mm
Diamètre de l'alésage	7/8 in 22.23 mm	7/8 in 22.23 mm	7/8 in 22.23 mm	7/8 in 22.23 mm
Épaisseur du disque de meulage/de tronçonnage	1/16 in – 1/4 in 1 mm – 6 mm	1/16 in – 1/4 in 1 mm – 6 mm	1/16 in – 1/4 in 1 mm – 6 mm	1/16 in – 1/4 in 1 mm – 6 mm
Diamètre max. du plateau de ponçage	4 1/2 in – 5 in 115/125 mm	5 in 125 mm	5 in – 6 in 125/150 mm	5 in 125 mm
Filetage de la flasque de serrage	5/8 in – 11UNC	5/8 in – 11UNC	5/8 in – 11UNC	5/8 in – 11UNC
Longueur de la broche filetée	3/4 in 20 mm	3/4 in 20 mm	3/4 in 20 mm	3/4 in 20 mm
Poids suivant EPTA-Procédure 01	5.1 lbs (2.3 kg)	5.3 lbs (2.4 kg)	5.3 lbs (2.4 kg)	5.3 lbs (2.4 kg)
Classe de protection	□/II	□/II	□/II	□/II



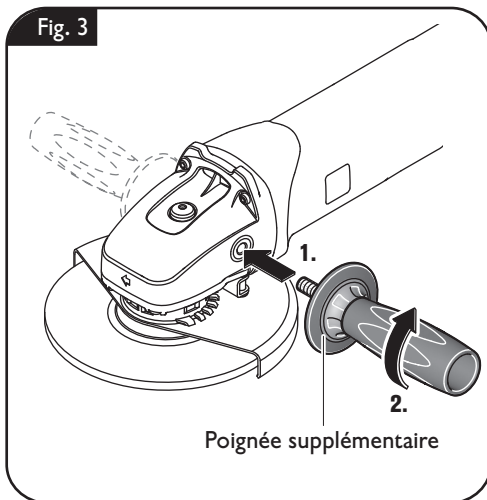
Type	WSG11-125R (**)	WSG11-150R (**)	WSG17-125 PR (**)	WSG17-150 PR (**)	WSG17-70 InoxR (**)
	WSG11-125RT (**)	WSG11-150RT (**)	WSG17-125 PRT (**)	WSG17-150 PRT (**)	WSG17-70 InoxRT (**)
Référence	7 222 ...	7 222 ...	7 222 ...	7 222 ...	7 222 ...
Courant absorbé	9.6 A	9.6 A	13 A	13 A	13 A
Type de courant	~ (a. c.)	~ (a. c.)	~ (a. c.)	~ (a. c.)	~ (a. c.)
Vitesse de référence	11000 rpm	8500 rpm	11000 rpm	8500 rpm	2500 – 8000 rpm
Ø <sub>D</sub> =diamètre max. de la meule/du disque de tronçonnage	5 in 125 mm	6 in 150 mm	5 in 125 mm	6 in 150 mm	5 in 125 mm
Diamètre de l'alésage	7/8 in 22.23 mm	7/8 in 22.23 mm	7/8 in 22.23 mm	7/8 in 22.23 mm	7/8 in 22.23 mm
Épaisseur du disque de meulage/de tronçonnage	1/16 in – 1/4 in 1 mm – 6 mm	1/16 in – 1/4 in 1 mm – 6 mm	1/16 in – 1/4 in 1 mm – 6 mm	1/16 in – 1/4 in 1 mm – 6 mm	1/16 in – 1/4 in 1 mm – 6 mm
Diamètre max. du plateau de ponçage	4 1/2 in – 5 in 115/125 mm	5 in – 6 in 125/150 mm	4 1/2 in – 5 in 115/125 mm	5 in – 6 in 125/150 mm	5 in 125 mm
Filetage de la flasque de serrage	5/8 in – 11UNC	5/8 in – 11UNC	5/8 in – 11UNC	5/8 in – 11UNC	5/8 in – 11UNC
Longueur de la broche filetée	3/4 in 20 mm	3/4 in 20 mm	3/4 in 20 mm	3/4 in 20 mm	3/4 in 20 mm
Poids suivant EPTA-Procedure 01	5.3 lbs (2.4 kg)	5.6 lbs (2.5 kg)	5.3 lbs (2.4 kg)	5.7 lbs (2.6 kg)	5.6 lbs (2.5 kg)
Classe de protection	□/II	□/II	□/II	□/II	□/II

## Indications de montage.

**⚠ AVERTISSEMENT** Avant de commencer les travaux de montage ou avant de changer les outils de travail et les accessoires, retirer la fiche de secteur. Cette mesure de sécurité préventive exclut un danger de blessure causé par un démarrage non intentionné de l'outil électrique.

### Montage de la poignée supplémentaire (figure 3).

En fonction du mode de travail, serrez la poignée supplémentaire à droite ou à gauche de l'outil électrique.



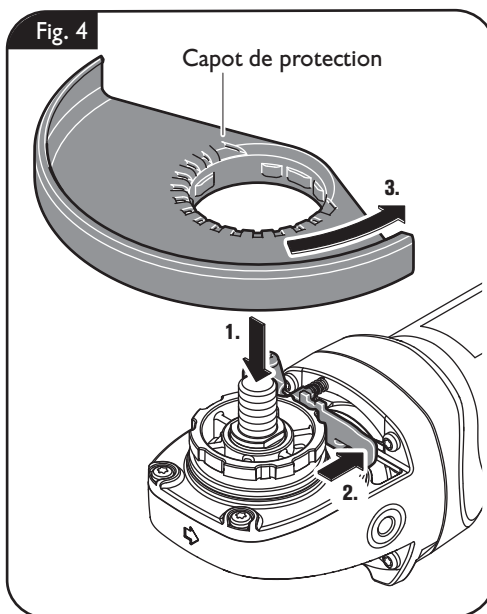
### Montage du capot de protection (figure 4).

**⚠ AVERTISSEMENT** Pour tous les travaux à l'exception du tronçonnage.

Montez le nez du capot de protection dans les rainures de l'outil électrique.

Appuyez sur le levier de serrage et tournez le capot de protection pour obtenir la position de travail souhaitée.

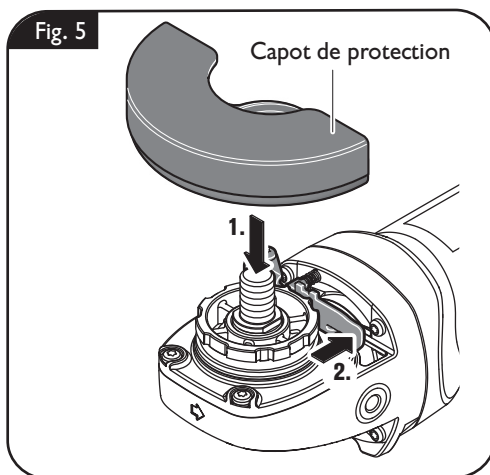
Faites encliqueter le levier de serrage.



## Montage du capot de protection de tronçonnage (figure 5).

**⚠ AVERTISSEMENT** Lors des travaux de tronçonnage, travaillez toujours avec capot de protection de tronçonnage monté.

Le montage se fait conformément à la description dans le chapitre « Montage du capot de protection ».



## Changement d'outil.

**⚠ AVERTISSEMENT** Avant de commencer les travaux de montage ou avant de changer les outils de travail et les accessoires, retirer la fiche de secteur. Cette mesure de sécurité préventive exclut un danger de blessure causé par un démarrage non intentionné de l'outil électrique.

### Montage de la meule (figure 6).

**!** N'actionnez le bouton de blocage que lorsque le moteur est à l'arrêt.

Enfoncez le bouton de blocage complètement et maintenez-le dans cette position. Desserrez la flasque de serrage à l'aide de la clé à ergots.

**!** Dévissez la flasque de serrage.

**⚠** Changez la meule usée ou montez une meule neuve.

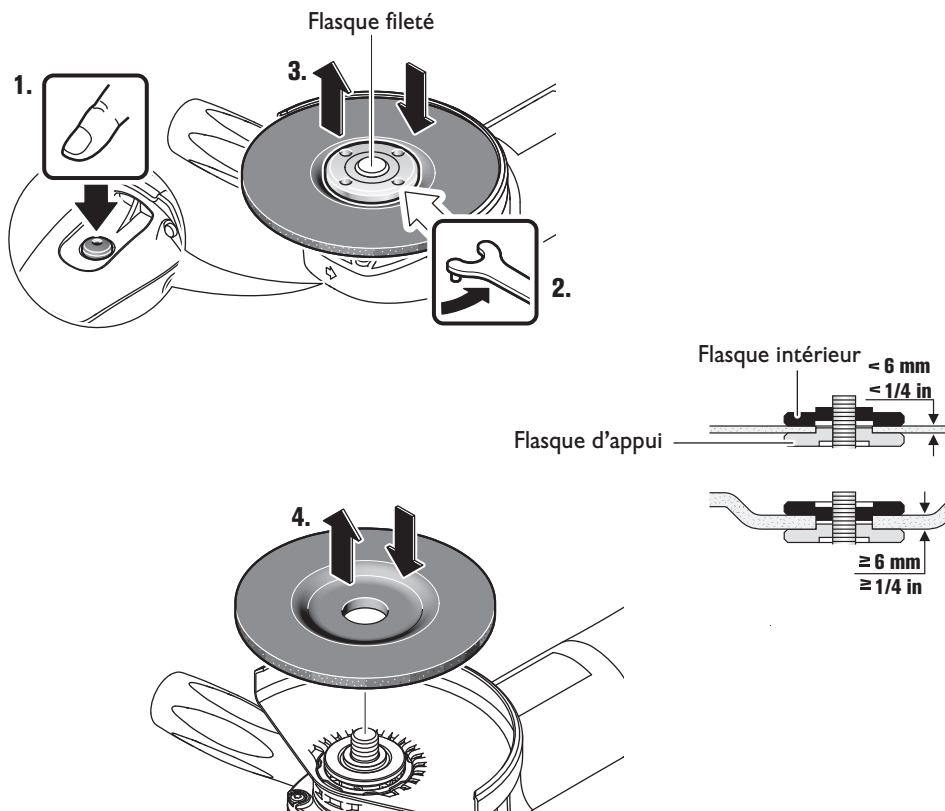
**!** Veillez à ce que la meule soit bien centrée entre la flasque d'appui et la flasque de serrage.

Revissez la flasque fileté à la main.

Enfoncez le bouton de blocage complètement et maintenez-le dans cette position. Resserrez la flasque de serrage à l'aide de la clé à ergots.

**Remarque :** Faites attention à monter la flasque de serrage dans le bon sens, celui-ci peut varier suivant l'épaisseur de la meule.

Fig. 6



## Montage de la meule (figure 7) si vous utilisez un flasque d'appui (accessoire spécial).

Le flasque d'appui ne doit être utilisé qu'avec des meules conformes à la norme ANSI B7.1-2010 type 27, 28 et 29 et un coude de 4,6 mm (0,18 in) minimum conformément à la norme DIN ISO 603-14.

❗ N'actionnez le bouton de blocage que lorsque le moteur est à l'arrêt.

Enfoncez le bouton de blocage complètement et maintenez-le dans cette position. Desserrez la flasque de serrage à l'aide de la clé à ergots.



Dévissez la flasque de serrage.



Changez la meule usée ou montez une meule neuve.



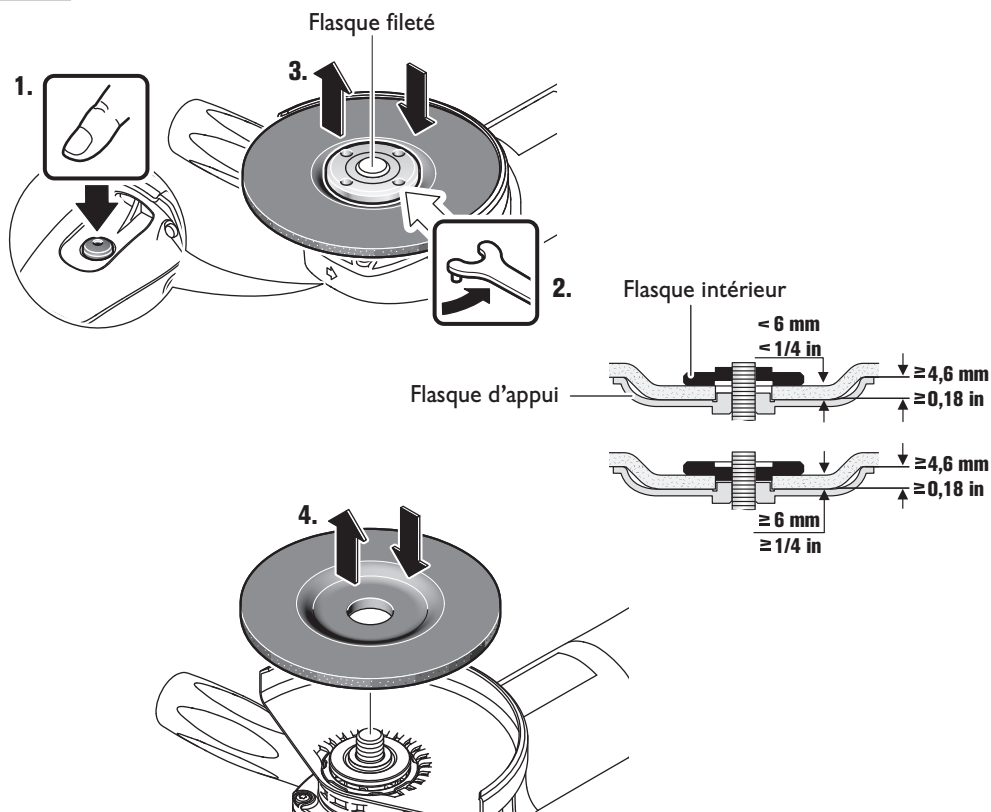
Veillez à ce que la meule soit bien centrée entre la flasque d'appui et la flasque de serrage.

Revissez la flasque fileté à la main.

Enfoncez le bouton de blocage complètement et maintenez-le dans cette position. Resserrez la flasque de serrage à l'aide de la clé à ergots.

**Remarque :** Faites attention à monter la flasque de serrage dans le bon sens, celui-ci peut varier suivant l'épaisseur de la meule.

Fig. 7



## Réglages.

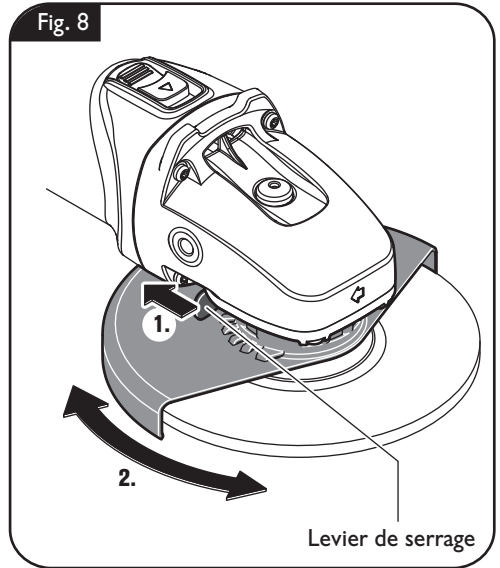
**⚠ AVERTISSEMENT** Avant de commencer les travaux de montage ou avant de changer les outils de travail et les accessoires, retirer la fiche de secteur. Cette mesure de sécurité préventive exclut un danger de blessure causé par un démarrage non intentionné de l'outil électrique.

### Réglage du capot de protection (figure 8).

Desserrez le levier de serrage.

Tournez le capot de protection pour obtenir la position de travail souhaitée et, à l'aide du levier de serrage, serrez le capot de protection.

Faites encliqueter le levier de serrage.



## Indications pour le travail.

**⚠ AVERTISSEMENT** Avant de commencer les travaux de montage ou avant de changer les outils de travail et les accessoires, retirer la fiche de secteur. Cette mesure de sécurité préventive exclut un danger de blessure causé par un démarrage non intentionné de l'outil électrique.

**!** N'utiliser que des outils de travail FEIN conçus et autorisés pour l'utilisation correspondante.

### Mise en fonctionnement/Arrêt.

**⚠ AVERTISSEMENT** Assurez-vous que le câble de raccordement et la fiche sont en parfait état.

**⚠ ATTENTION** **Toujours bien tenir l'outil électroportatif.** Vous risquez sinon de perdre le contrôle de l'outil électrique.

Le **verrouillage de mise en marche** évite que la meuleuse d'angle (voir tableau) ne se remette en marche automatiquement après l'interruption de l'alimentation en courant même pour un très court instant, par ex. si l'on retire la fiche du secteur.

Les meuleuses d'angle avec électronique (voir tableau) sont dotées d'une protection contre les surcharges et une protection anti-blocage. Dans le cas d'une surcharge ou si l'outil de travail se bloquait, l'alimentation en courant est interrompue. Dans un tel cas, arrêtez l'outil électrique, retirez-le de la pièce et contrôlez l'outil de travail. Ensuite, remettez l'outil électrique en marche.

WSG12-125P (**)	WSG17-125PRT (**)
WSG17-125P (**)	WSG17-150PR (**)
WSG17-125PS (**)	WSG17-150PRT (**)
WSG17-150P (**)	WSG17-70 InoxR (**)
WSG17-70 Inox (**)	WSG17-70 InoxRT (**)
WSG17-125PR (**)	

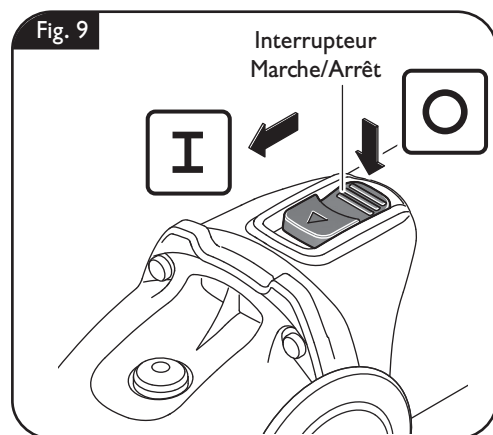
**WSG8-115 (\*\*)/WSG8-125 (\*\*)/WSG11-125 (\*\*)/WSG11-150 (\*\*)/WSG12-125P (\*\*)/WSG17-125P (\*\*)/WSG17-125PS (\*\*)/ WSG17-150P (\*\*)/WSG17-70 Inox (\*\*)** (figure 9).

#### Mise en fonctionnement :

Poussez l'interrupteur Marche/Arrêt vers l'avant (I).

#### Arrêt :

Poussez l'interrupteur Marche/Arrêt vers l'arrière (O).



**WSG11-125R (\*\*)/WSG11-150R (\*\*)/WSG17-125PR (\*\*)/WSG17-150PR (\*\*)/WSG17-70 InoxR (\*\*)** (figure 10).

**Mise en fonctionnement :**

Appuyez sur le bouton de blocage/déblocage et maintenez-le appuyé. Appuyez sur l'interrupteur Marche/Arrêt.

**Arrêt :**

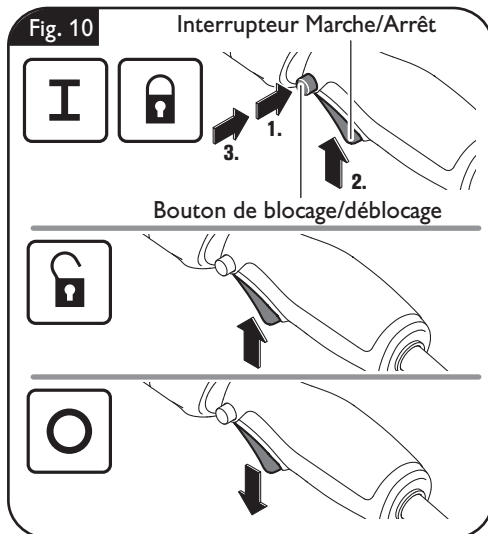
Relâchez l'interrupteur Marche/Arrêt.

**Blocage :**

Enfoncez complètement le bouton de blocage/déblocage jusqu'à ce que l'interrupteur Marche/Arrêt soit verrouillé.

**Désactivation de l'interrupteur Marche/Arrêt bloqué :**

Enfoncez complètement l'interrupteur Marche/Arrêt et relâchez-le.



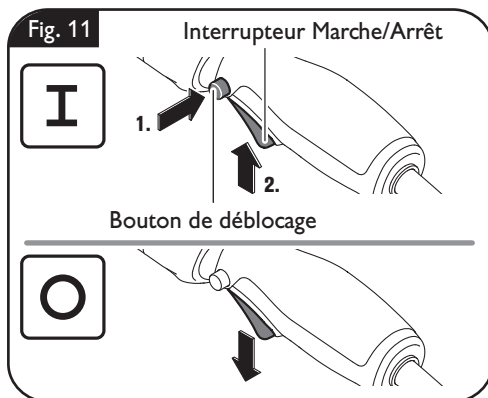
**WSG11-125RT (\*\*)/WSG11-150RT (\*\*)/WSG17-125PRT (\*\*)/WSG17-150PRT (\*\*)/WSG17-70 InoxRT (\*\*)** (figure 11).

**Mise en fonctionnement :**

Appuyez sur le bouton de déblocage et maintenez-le appuyé. Appuyez sur l'interrupteur Marche/Arrêt.

**Arrêt :**

Relâchez l'interrupteur Marche/Arrêt.

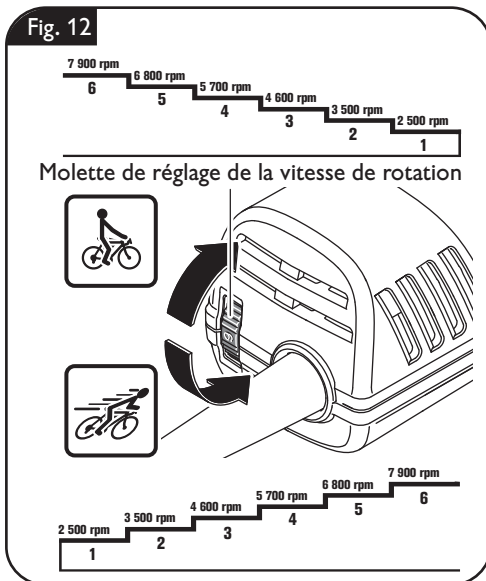




## Réglage de la vitesse de rotation (WSG17-70 Inox (\*\*)) (figure 12).

Il est possible de régler en continu la plage de vitesse de rotation conformément aux indications sur la figure suivante.

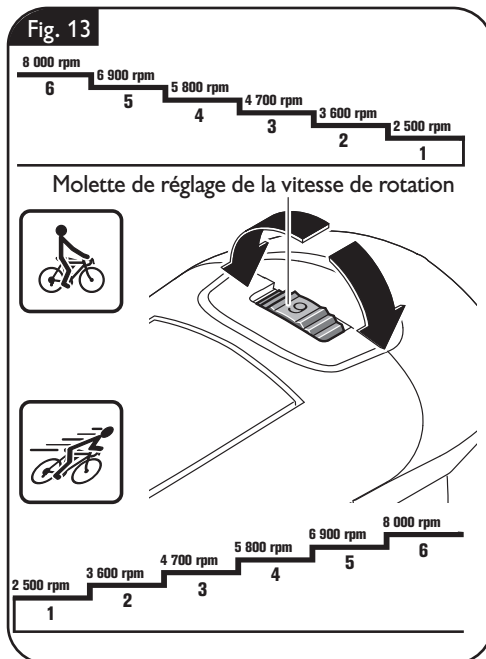
Positionnez la molette de réglage entre « 1 » pour la vitesse de rotation la plus basse et « 6 » pour la vitesse la plus élevée.



## Réglage de la vitesse de rotation (WSG17-70 InoxR (\*\*)/ WSG17-70 InoxRT (\*\*)) (figure 13).

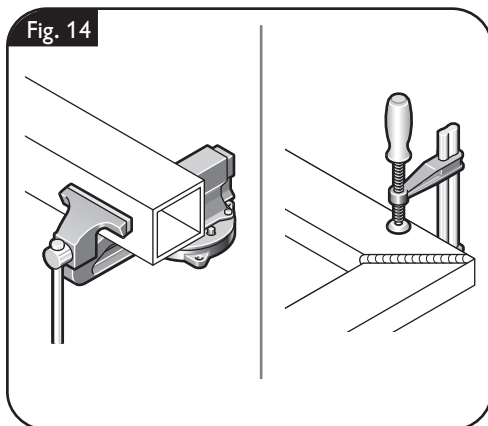
Il est possible de régler en continu la plage de vitesse de rotation conformément aux indications sur la figure suivante.

Positionnez la molette de réglage entre « 1 » pour la vitesse de rotation la plus basse et « 6 » pour la vitesse la plus élevée.



## Bloquer la pièce à travailler (figure 14).

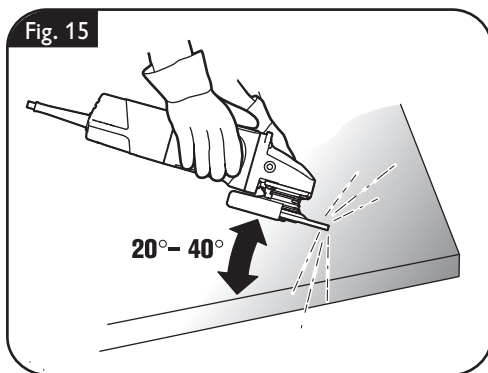
- ⚠ **Bloquez suffisamment la pièce à travailler.** Une pièce à travailler qui n'est pas suffisamment bloquée peut faire par ex. que la meule se coince, que la pièce à travailler tombe et que d'autres incidents dangereux se produisent.



## Ponçage à sec (figure 15).

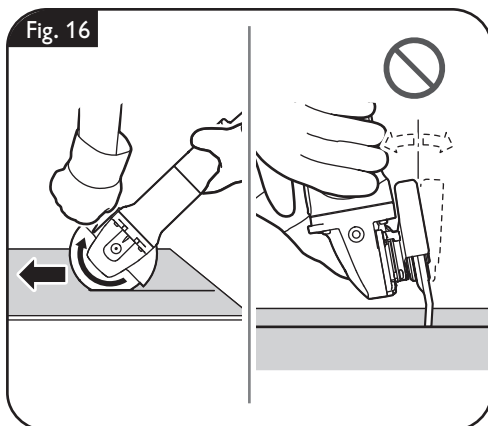
Maintenez un angle d'inclinaison de 20–40°. Vous obtiendrez ainsi un bon enlèvement de matériau.

- ⚙ Appuyez l'outil électrique de façon régulière et faites-le avancer par-dessus la surface.
- ⚠ Evitez un échauffement trop fort de la surface de la pièce à travailler.



## Tronçonnage (figure 16).

- ⚙ Travaillez toujours en sens opposé afin que le disque à tronçonner ne sorte pas du tracé.



## Travaux d'entretien et service après-vente.

**⚠ AVERTISSEMENT** Avant de commencer les travaux de montage ou avant de changer les outils de travail et les accessoires, retirer la fiche de secteur. Cette mesure de sécurité préventive exclut un danger de blessure causé par un démarrage non intentionné de l'outil électrique.

### Pièces remplaçables.

Si nécessaire, vous pouvez vous-même remplacer les éléments suivants :

Outils de travail, poignée supplémentaire, flasques de serrage, capot de protection

Vous trouverez la liste actuelle des pièces de rechange pour cet outil électroportatif sur notre site [www.fein.com](http://www.fein.com).

### Service après-vente.

**⚠ AVERTISSEMENT** Ne faire effectuer les travaux d'entretien que par des personnes qualifiées. Les câbles et éléments mal montés peuvent présenter des risques graves. Ne faire effectuer le service d'entretien nécessaire que par une station de service après-vente FEIN.

### Nettoyage.

**⚠ AVERTISSEMENT** Afin d'éviter des accidents, débranchez l'outil électrique de l'alimentation en courant avant d'effectuer un nettoyage ou des travaux d'entretien ou de maintenance.

**⚠ AVERTISSEMENT** S'il y a de la poussière conductrice dans l'air lors de l'utilisation de l'appareil, p. ex. lors du traitement de métaux, cette poussière peut se poser à l'intérieur de l'outil électrique. La

double isolation de l'outil électrique peut ainsi être endommagée. Soufflez alors régulièrement de l'extérieur de l'air comprimé sec exempt d'huile dans l'intérieur de l'outil électrique à travers les ouïes de ventilation ; utilisez toujours une protection oculaire. Pour une protection supplémentaire, placez un dispositif à courant différentiel résiduel (RCD) en amont.

**⚠ ATTENTION** N'essayez pas de nettoyer les orifices de ventilation à l'aide d'objets métalliques pointus ; utilisez des outils non-métalliques.

**⚠ ATTENTION** N'utilisez pas de détergents ou de solvants qui peuvent endommager les parties en matière plastique. Par exemple : l'essence, le tétrachlorure de carbone, solvants chlorés, l'ammoniaque et produits de nettoyage domestiques contenant de l'ammoniaque.

**⚠ ATTENTION** Si un câble d'alimentation de l'outil électrique est endommagé, il doit être remplacé par un câble d'alimentation spécialement préparé qui est disponible auprès du service après-vente de FEIN.

### Garantie.

La garantie du produit est valide conformément à la réglementation légale en vigueur dans le pays où le produit est mis sur le marché. Outre les obligations de garantie légale, les appareils FEIN sont garantis conformément à notre déclaration de garantie de fabricant.

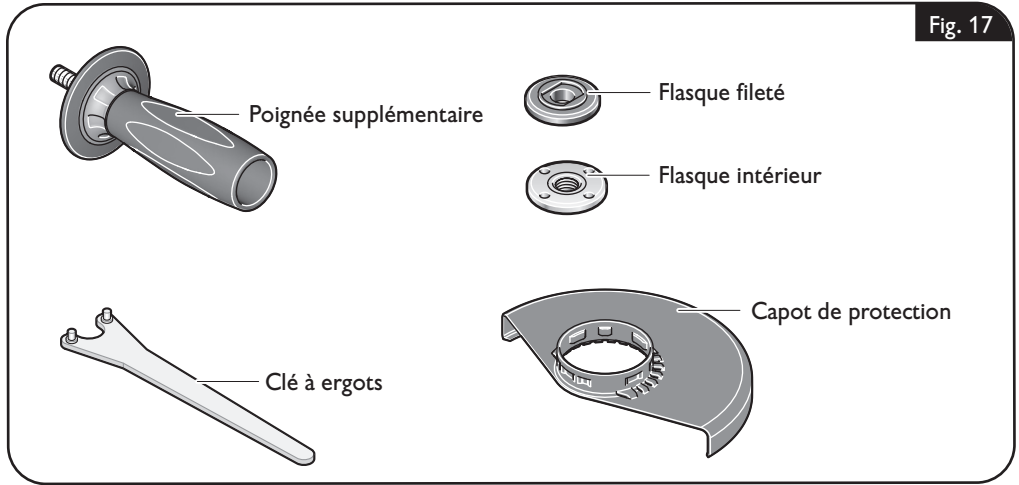
Il se peut que seule une partie des accessoires décrits ou représentés dans cette notice d'utilisation soit fournie avec l'outil électrique.

### Protection de l'environnement, recyclage.

Rapportez les emballages, les outils électriques hors d'usage et les accessoires dans un centre de recyclage respectant les directives concernant la protection de l'environnement.

Pour plus de précisions, veuillez vous adresser à votre revendeur spécialisé.

## Accessoires fournis (figure 17).

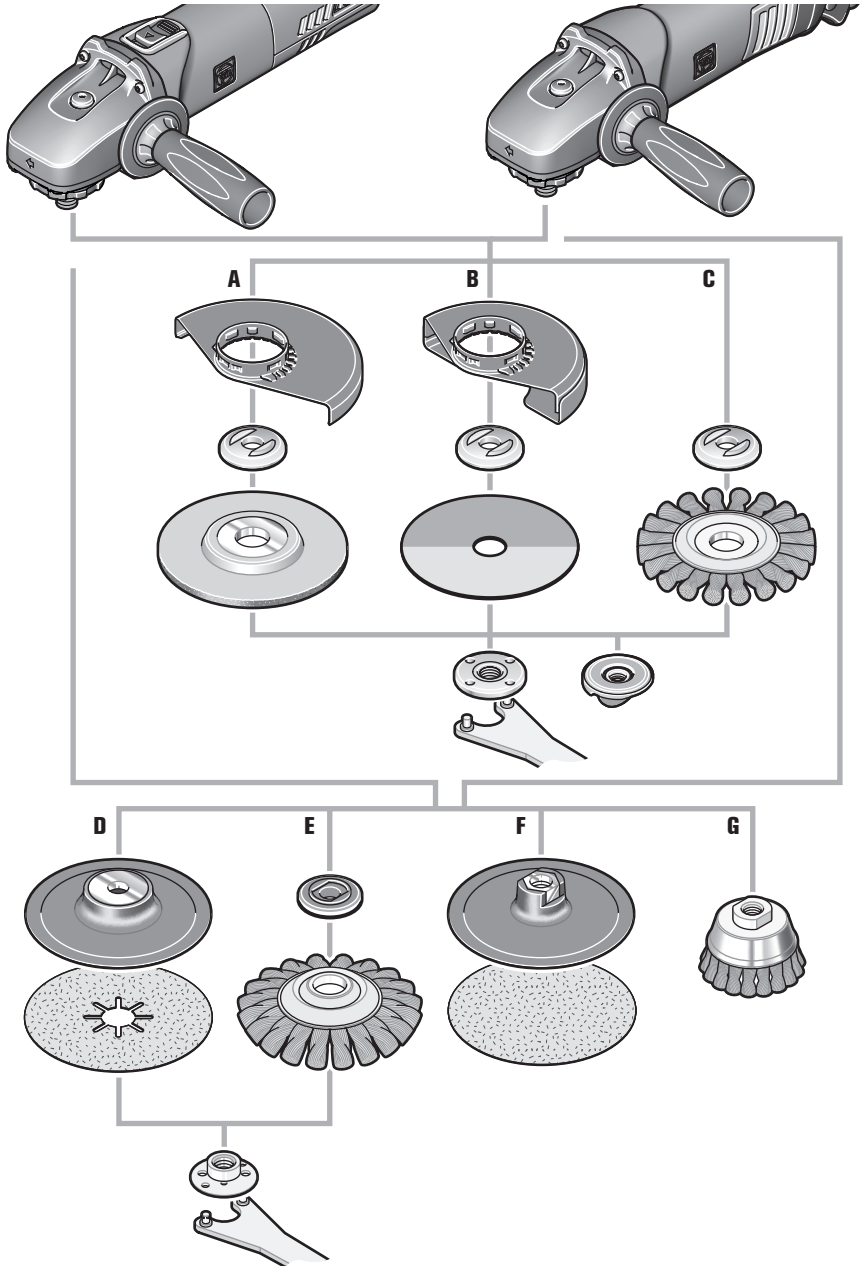


## Sélection des accessoires (figure 18).

N'utilisez que des accessoires d'origine FEIN. L'accessoire doit être approprié au type d'outil électrique.

- A** Disque à ébarber, disque à lamelles  
(à n'utiliser qu'avec capot de protection monté)
- B** Disque à tronçonner  
(à n'utiliser qu'avec capot de protection spécialement conçu pour le tronçonnage)
- C** Brosse métallique, plateau de ponçage non-tissé
- D** Plateau souple pour feuille abrasive  
(ne monter qu'avec le dispositif de serrage fourni avec le plateau, à n'utiliser qu'avec protège-main ou capot de protection)
- E** Brosse métallique conique
- F** Plateau de ponçage avec support auto-agrippant, feuilles abrasives, disques fibres, éponges  
(à n'utiliser qu'avec protège-main)
- G** Brosse boisseau en fil d'acier, disque à lamelles  
(à n'utiliser qu'avec protège-main monté)

Fig. 18




## Para su seguridad.

### **ADVERTENCIA** Lea íntegramente estas advertencias de peligro e instrucciones.

En caso de no atenerse a las advertencias de seguridad siguientes, ello puede ocasionar una descarga eléctrica, un incendio y/o lesión grave.

### **Guardar todas las advertencias de peligro e instrucciones para futuras consultas.**

 No utilice esta herramienta eléctrica sin haber leído antes con detenimiento y haber entendido por completo estas instrucciones de uso, inclusive las ilustraciones, especificaciones, reglas de seguridad, así como las indicaciones identificadas con PELIGRO, ADVERTENCIA y PRECAUCIÓN.

Solamente use esta herramienta eléctrica para realizar los trabajos que FEIN ha previsto para la misma. Únicamente utilice las herramientas y accesorios autorizados por FEIN.

Observe también las respectivas prescripciones contra accidentes de trabajo vigentes en su país.

En caso de no atenerse a las instrucciones de seguridad mencionadas en la documentación previamente citada, ello puede provocar una electrocución, incendio y/o lesión grave.

Guarde estas instrucciones de uso para posteriores consultas y entréguelas al usuario en caso de prestar o vender la máquina.

### **GUARDAR ESTAS INSTRUCCIONES EN UN LUGAR SEGURO.**

El término “herramienta eléctrica” empleado en las siguientes instrucciones de seguridad se refiere a herramientas eléctricas de conexión a la red (con línea) y a herramientas eléctricas accionadas por batería (o sea, sin línea).

## Instrucciones generales de seguridad.

### 1) Seguridad en el puesto de trabajo

- a) **Mantenga limpio y bien iluminado su puesto de trabajo.** El desorden y una iluminación deficiente en las áreas de trabajo pueden provocar accidentes.
- b) **No utilice la herramienta eléctrica en un entorno con peligro de explosión, en el que se encuentren combustibles líqui-**

**dos, gases o material en polvo.** Las herramientas eléctricas producen chispas que pueden llegar a inflamar los materiales en polvo o vapores.

- c) **Mantenga alejados a los niños y otras personas de su puesto de trabajo al emplear la herramienta eléctrica.** Una distracción le puede hacer perder el control sobre el aparato.

### 2) Seguridad eléctrica

- a) **La clavija del aparato debe corresponder al enchufe utilizado. No es admisible modificar la clavija en forma alguna. No emplear adaptadores en aparatos dotados con una toma de tierra.** Las clavijas sin modificar adecuadas a los respectivos enchufes reducen el riesgo de una descarga eléctrica.
- b) **Evite que su cuerpo toque partes conectadas a tierra como tuberías, radiadores, cocinas y refrigeradores.** El riesgo a quedar expuesto a una sacudida eléctrica es mayor si su cuerpo tiene contacto con tierra.
- c) **No exponga las herramientas eléctricas a la lluvia y evite que penetren líquidos en su interior.** Existe el peligro de recibir una descarga eléctrica si penetran ciertos líquidos en la herramienta eléctrica.
- d) **No utilice la línea para transportar o colgar el aparato, ni tire de ella para sacar la clavija de la toma de corriente. Mantenga la línea alejada del calor, aceite, esquinas cortantes o piezas móviles.** Las líneas dañadas o enredadas pueden provocar una descarga eléctrica.
- e) **Al trabajar con la herramienta eléctrica a la intemperie utilice solamente extensiones homologadas para su uso en exteriores.** La utilización de una extensión adecuada para su uso en exteriores reduce el riesgo de una descarga eléctrica.
- f) **Si fuese imprescindible utilizar la herramienta eléctrica en un entorno húmedo, es necesario conectarla a través de un fusible diferencial.** La aplicación de un fusible diferencial reduce el riesgo a exponerse a una descarga eléctrica.

### 3) Seguridad de personas

- a) **Esté atento a lo que hace y emplee la herramienta eléctrica con prudencia. No utilice la herramienta eléctrica si estuviese cansado, ni tampoco después de haber consumido alcohol, drogas o medicamentos.** El no estar atento durante el uso de una herramienta eléctrica puede provocarle serias lesiones.
- b) **Utilice un equipo de protección y en todo caso unas gafas de protección.** El riesgo a lesionarse se reduce considerablemente si, dependiendo del tipo y la aplicación de la herramienta eléctrica empleada, se utiliza un equipo de protección adecuado como una mascarilla cubrepolvo, zapatos de seguridad anti-deslizantes, cubierta, o protectores auditivos.
- c) **Evite una puesta en marcha fortuita del aparato. Asegúrese de que el aparato esté apagado antes de conectarlo al enchufe.** Si transporta el aparato sujetándolo por el switch, o si conecta la clavija al enchufe con el aparato encendido, ello puede dar lugar a un accidente.
- d) **Retire las herramientas de ajuste o llaves fijas antes de conectar la herramienta eléctrica.** Una herramienta o llave colocada en una pieza rotante puede producir lesiones al ponerse a funcionar.
- e) **Sea precavido. Trabaje sobre una base firme y mantenga el equilibrio en todo momento.** Ello le permitirá controlar mejor la herramienta eléctrica en caso de presentarse una situación inesperada.
- f) **Lleve puesta una ropa de trabajo adecuada. No utilice ropa amplia ni joyas. Mantenga su pelo, ropa y guantes alejados de las piezas móviles.** La ropa suelta, las joyas y el pelo largo se pueden enganchar con las piezas en movimiento.
- g) **Siempre que sea posible utilizar unos equipos de aspiración o captación de polvo, asegúrese de que éstos estén apropiadamente conectados y que sean utilizados correctamente.** El empleo de estos equipos reduce los riesgos derivados del polvo.

### 4) Trato y uso cuidadoso de herramientas eléctricas

- a) **No sobrecargue el aparato. Use la herramienta prevista para el trabajo a realizar.** Con la herramienta adecuada podrá trabajar mejor y más seguro dentro del margen de potencia indicado.
- b) **No utilice herramientas con un switch defectuoso.** Las herramientas que no se puedan encender o apagar son peligrosas y deben hacerse reparar.
- c) **Saque la clavija de la red antes de realizar un ajuste en el aparato, cambiar de accesorio o al guardar el aparato.** Esta medida preventiva reduce el riesgo a encender accidentalmente el aparato.
- d) **Guarde las herramientas fuera del alcance de los niños y de las personas que no estén familiarizadas con su uso.** Las herramientas utilizadas por personas inexpertas son peligrosas.
- e) **Cuide sus herramientas eléctricas con esmero. Controle si funcionan correctamente, sin atascarse, las partes móviles del aparato, y si existen partes rotas o deterioradas que pudieran afectar al funcionamiento de la herramienta. Si la herramienta eléctrica estuviese defectuosa haga repararla antes de volver a utilizarla.** Muchos de los accidentes se deben a aparatos con un mantenimiento deficiente.
- f) **Mantenga los útiles de corte limpios y afilados.** Los útiles de corte mantenidos correctamente se dejan guiar y controlar mejor.
- g) **Utilice herramientas eléctricas, accesorios, útiles, etc. de acuerdo a estas instrucciones y en la manera indicada específicamente para este aparato. Considere en ello las condiciones de trabajo y la tarea a realizar.** El uso de herramientas eléctricas para trabajos diferentes de aquellos para los que han sido concebidas puede resultar peligroso.

## 5) Servicio

- a) **Únicamente haga reparar su herramienta eléctrica por un profesional, empleando exclusivamente refacciones originales.** Solamente así se mantiene la seguridad de la herramienta eléctrica.

## Instrucciones de seguridad especiales.

### **Advertencias de peligro generales al realizar trabajos de amolado, lijado, con cepillos de alambre y tronzado**

**Esta herramienta eléctrica ha sido concebida para amolar, lijar, trabajar con cepillos de alambre y para tronzar. Observe todas las indicaciones de seguridad, instrucciones, ilustraciones y datos que se suministran con el aparato.** Si no se tienen en cuenta las recomendaciones de seguridad descritas, puede electrocutarse, producirse un incendio y/o sufrir graves lesiones.

**Esta herramienta eléctrica no es apta para pulir.** La utilización de la herramienta eléctrica en trabajos para los que no ha sido prevista puede provocar un accidente.

**No emplee accesorios diferentes de aquellos que el fabricante haya previsto o recomendado especialmente para esta herramienta eléctrica.** El mero hecho de que sea acoplable un accesorio a su herramienta eléctrica no implica que su utilización resulte segura.

**Las revoluciones admisibles del útil deberán ser como mínimo iguales a las revoluciones máximas indicadas en la herramienta eléctrica.** Aquellos accesorios que giren a unas revoluciones mayores a las admisibles pueden llegar a romperse y salir despedidos.

**El diámetro exterior y el grosor del útil deberán corresponder con las medidas indicadas para su herramienta eléctrica.** Los útiles de dimensiones incorrectas no pueden protegerse ni controlarse con suficiente seguridad.

**Los orificios de los discos amoladores, bridas, platos lijadores u otros útiles deberán alojar exactamente sobre el husillo de su herramienta eléctrica.** Los útiles que no ajusten correctamente sobre el husillo de la herramienta eléctrica, al girar descentrados, generan unas vibraciones excesivas y pueden hacerle perder el control sobre el aparato.

**No use útiles dañados.** Antes de cada uso inspeccione el estado de los útiles con el fin de detectar, p. ej., si están desportillados o fisurados los útiles de amolar, si está agrietado o muy desgastado el plato lijador, o si las púas de los cepillos de alambre están flojas o rotas. Si se le cae la herramienta eléctrica o el útil, inspeccione si han sufrido algún daño o monte otro útil en correctas condiciones. **Una vez controlado y montado el útil sitúese Vd. y las personas circundantes fuera del plano de rotación del útil y deje funcionar la herramienta eléctrica en vacío, a las revoluciones máximas, durante un minuto.** Por lo regular, aquellos útiles que estén dañados suelen romperse al realizar esta comprobación.

**Utilice un equipo de protección personal.** Dependiendo del trabajo a realizar use una careta, una protección para los ojos, o unas gafas de protección. Si procede, emplee una mascarilla antipolvo, protectores auditivos, guantes de protección o un mandil especial adecuado para protegerle de los pequeños fragmentos que pudieran salir proyectados al desprenderse del útil o pieza. Las gafas de protección deberán ser indicadas para protegerle de los fragmentos que pudieran salir despedidos al trabajar. La mascarilla antipolvo o respiratoria deberá ser apta para filtrar las partículas producidas al trabajar. La exposición prolongada al ruido puede provocar sordera.

**Guide que las personas en las inmediaciones se mantengan a suficiente distancia de la zona de trabajo. Toda persona que acceda a la zona de trabajo deberá utilizar un equipo de protección personal.** Podrían ser lesionadas, incluso fuera del área de trabajo inmediato, al salir proyectados fragmentos de la pieza de trabajo o del útil.



**Únicamente sujete el aparato por las empuñaduras aisladas al realizar trabajos en los que el útil pueda tocar conductores eléctricos ocultos o el propio cable del aparato.** El contacto con conductores bajo tensión puede hacer que las partes metálicas del aparato le provoquen una descarga eléctrica.

**Mantenga el cable de red alejado del útil en funcionamiento.** En caso de que Vd. pierda el control sobre la herramienta eléctrica puede llegar a cortarse o enredarse el cable de red con el útil y lesionarle su mano o brazo.

**Jamás deposite la herramienta eléctrica antes de que el útil se haya detenido por completo.** El útil en funcionamiento puede llegar a tocar la base de apoyo y hacerle perder el control sobre la herramienta eléctrica.

**No deje funcionar la herramienta eléctrica mientras la transporta.** El útil en funcionamiento podría lesionarle al engancharse accidentalmente con su vestimenta.

**Limpie periódicamente las rejillas de refrigeración de su herramienta eléctrica.** El ventilador del motor aspira polvo hacia el interior de la carcasa, por lo que, en caso de una acumulación fuerte de polvo metálico, ello puede provocar una descarga eléctrica.

**No utilice la herramienta eléctrica cerca de materiales combustibles.** Las chispas producidas al trabajar pueden llegar a incendiar estos materiales.

**No emplee útiles que requieran ser refrigerados con líquidos.** La aplicación de agua u otros refrigerantes líquidos puede comportar una descarga eléctrica.

## **Causas del retroceso y advertencias al respecto**

El retroceso es una reacción brusca que se produce al atascarse o engancharse el útil, como un disco de amolar, plato lijador, cepillo, etc. Al atascarse o engancharse el útil en funcionamiento, éste es frenado bruscamente. Ello puede hacerle perder el control sobre la herramienta eléctrica y hacer que ésta salga impulsada en dirección opuesta al sentido de giro que tenía el útil.

En el caso, p. ej., de que un disco amolador se atasque o bloquee en la pieza de trabajo, puede suceder que el canto del útil que penetra en el material se enganche, provocando la rotura del útil o el retroceso del aparato.

Según el sentido de giro y la posición del útil en el momento de bloquearse puede que éste resulte despedido hacia, o en sentido opuesto al usuario. En estos casos puede suceder que el útil incluso llegue a romperse.

El retroceso es ocasionado por la aplicación o manejo incorrecto de la herramienta eléctrica. Es posible evitarlo ateniéndose a las medidas preventivas que a continuación se detallan.

**Sujete con firmeza la herramienta eléctrica y mantenga su cuerpo y brazos en una posición propicia para resistir las fuerzas de reacción. Si forma parte del aparato, utilice siempre la empuñadura adicional para poder soportar mejor las fuerzas de retroceso, además de los pares de reacción que se presentan en la puesta en marcha.** El usuario puede controlar las fuerzas de retroceso y de reacción si toma unas medidas preventivas oportunas.

**Jamás aproxime su mano al útil en funcionamiento.** En caso de un retroceso, el útil podría lesionarle la mano.

**No se sitúe dentro del área hacia el que se movería la herramienta eléctrica al retroceder bruscamente.** Al retroceder bruscamente, la herramienta eléctrica saldrá despedida desde el punto de bloqueo en dirección opuesta al sentido de giro del útil.

**Tenga especial precaución al trabajar esquinas, cantos afilados, etc. Evite que el útil de amolar rebote contra la pieza de trabajo o que se atasque.** En las esquinas, cantos afilados, o al rebotar, el útil en funcionamiento tiende a atascarse. Ello puede hacerle perder el control o causar un retroceso del útil.

**No utilice hojas de sierra para madera ni otros útiles dentados.** Estos útiles son propensos al retroceso y pueden hacerle perder el control sobre la herramienta eléctrica.

## Instrucciones de seguridad específicas para operaciones de amolado y tronzado

Use exclusivamente útiles homologados para su herramienta eléctrica, en combinación con la carcasa de protección prevista para estos útiles. Los útiles que no fueron diseñados para su uso en esta herramienta eléctrica pueden quedar insuficientemente protegidos y suponen un riesgo.

Los discos de desbaste con centro deprimido deberán montarse de forma que su superficie de trabajo no sobresalga frontalmente del borde de la carcasa de protección. Un disco desbaste impropriamente montado que sobresalga por el frente de la carcasa de protección no puede protegerse suficientemente.

La carcasa de protección deberá fijarse firmemente a la herramienta eléctrica y orientarse de modo que ofrezca una seguridad máxima cubriendo para ello lo máximo posible la parte del útil a la que queda expuesta el usuario. La carcasa de protección sirve para proteger al usuario de los fragmentos que puedan desprenderse del útil, del contacto accidental con éste, y de las chispas que pudieran incendiar su ropa.

Solamente emplee el útil para aquellos trabajos para los que fue concebido. Por ejemplo, no emplee las caras de los discos tronzadores para amolar. En los útiles de tronzar, el arranque de material se lleva a cabo con los bordes del disco. Si estos útiles son sometidos a un esfuerzo lateral, ello puede provocar su rotura.

Siempre use para el útil seleccionado una brida en perfecto estado con las dimensiones y forma correctas. Una brida adecuada soporta convenientemente el útil reduciendo así el peligro de rotura. Las bridas para discos tronzadores pueden ser diferentes de aquellas para otros discos de amolar.

No intente aprovechar los discos amoladores de otras herramientas eléctricas más grandes, aunque su diámetro exterior se haya reducido suficientemente por el desgaste. Los discos amoladores destinados para herramientas eléctricas grandes no son aptos para soportar las velocidades periféricas más altas a las que trabajan las herramientas eléctricas más pequeñas, y pueden llegar a romperse.

## Instrucciones de seguridad adicionales específicas para el tronzado

Evite que se bloquee el disco tronzador y una presión de aplicación excesiva. No intente realizar cortes demasiado profundos. Al solicitar en exceso el disco tronzador éste es más propenso a ladearse, bloquearse, a retroceder bruscamente, o a romperse.

No se coloque delante o detrás del disco tronzador en funcionamiento, alineado con la trayectoria del corte. Mientras que al cortar, el disco tronzador es guiado en sentido opuesto a su cuerpo, en caso de un retroceso el disco tronzador y la herramienta eléctrica son impulsados directamente contra Ud.

Si el disco tronzador se bloquea, o si tuviese que interrumpir su trabajo, desconecte la herramienta eléctrica y manténgala en esa posición, sin moverla, hasta que el disco tronzador se haya detenido por completo. Jamás intente sacar el disco tronzador en marcha de la ranura de corte, ya que ello puede provocar que éste retroceda bruscamente. Investigue y subsane la causa del bloqueo.

No intente proseguir el corte, estando insertado el disco tronzador en la ranura de corte. Una vez fuera de la ranura de corte, espere a que el disco tronzador haya alcanzado las revoluciones máximas, y prosiga entonces el corte con cautela. En caso contrario el disco tronzador podría bloquearse, salirse de la ranura de corte, o retroceder bruscamente.

Soporte las planchas u otras piezas de trabajo grandes para reducir el riesgo de bloqueo o retroceso del disco tronzador. Las piezas de trabajo grandes tienden a curvarse por su propio peso. La pieza de trabajo deberá apoyarse desde abajo a ambos lados tanto cerca de la línea de corte como en los bordes.

Proceda con especial cautela al realizar recortes "por inmersión" en paredes o superficies similares. El disco tronzador puede retroceder bruscamente al tocar tuberías de gas o agua, conductores eléctricos, u otros objetos.

## Instrucciones de seguridad específicas para trabajos con hojas lijadoras

**No use hojas lijadoras más grandes que el soporte, ateniéndose para ello a las dimensiones que el fabricante recomienda.** Las hojas lijadoras de un diámetro mayor que el plato lijador pueden provocar un accidente, fisurarse, o causar un retroceso brusco del aparato.

## Instrucciones de seguridad específicas para el trabajo con cepillos de alambre

**Considere que las púas de los cepillos de alambre pueden desprenderse también durante un uso normal. No fuerce las púas ejerciendo una fuerza de aplicación excesiva.** Las púas desprendidas pueden traspasar muy fácilmente tela delgada y/o la piel.

**En caso de recomendarse el uso de una carcasa de protección, evite que el cepillo de alambre alcance a rozar contra la carcasa de protección.** Los cepillos de plato y de vaso pueden aumentar su diámetro por efecto de la presión de aplicación y de la fuerza centrífuga.

## Instrucciones de seguridad adicionales

**Utilice los platos elásticos intermedios si éstos se suministran junto con el útil de amorlar.**

**Asegúrese de que los útiles vayan montados según instrucciones del fabricante. Los útiles montados deberán girar sin rozar en ningún lado.** Los útiles incorrectamente montados pueden aflojarse durante el trabajo y salir despedidos.

**Trate cuidadosamente los útiles y guárdelos según instrucciones del fabricante.** Los útiles dañados pueden fisurarse y desintegrarse durante el trabajo.

**En los útiles dotados con una rosca de fijación, observe que la longitud de la misma sea suficiente para que pueda penetrar hasta el fondo el husillo de la herramienta eléctrica. El útil deberá tener el mismo tipo de rosca de fijación que el husillo.** Los útiles incorrectamente montados pueden aflojarse durante el funcionamiento y causar accidentes.

**No oriente la herramienta eléctrica contra Ud. mismo, contra otras personas, ni contra animales.** Podría accidentarse con los útiles afilados o muy calientes.

**Preste atención a los conductores eléctricos y a las tuberías de agua y gas ocultas.** Antes de comenzar a trabajar explore la zona de trabajo, p. ej., con un detector de metales.

**Utilice un equipo de aspiración estacionario, limpie con frecuencia las rejillas de refrigeración, y conecte la herramienta eléctrica a través de un interruptor diferencial (FI).** En caso de trabajar metales bajo unas condiciones extremas puede llegar a depositarse polvo conductor de corriente en el interior de la herramienta eléctrica. Ello puede mermar la eficacia del aislamiento de protección de la herramienta eléctrica.

**Esta herramienta eléctrica doblemente aislada incorpora una clavija con diferentes contactos (uno de los contactos es más ancho que el otro). Esta clavija solamente puede introducirse en una posición en el enchufe correspondiente. Gire la clavija a la otra posición en caso de que ésta no entre del todo en el enchufe. Si a pesar de ello no es posible acoplar la clavija al enchufe, acuda a un electricista para que le instale un enchufe apropiado. Jamás modifique la clavija.** Las herramientas doblemente aisladas no necesitan una línea de 3 hilos ni un enchufe con un contacto a tierra.

**Solamente alimente la herramienta eléctrica con la tensión y frecuencia que se indica en la placa de características de la herramienta eléctrica.**

**Si pretende utilizar la herramienta eléctrica en un entorno húmedo, es necesario conectarla a través de un dispositivo de corriente residual (RCD).** Para una mayor seguridad personal se recomienda utilizar unos guantes y zapatos de protección especiales de hule.

**OBSERVACIÓN:** Estos dispositivos de protección se conocen también bajo la denominación Interruptor con detección de falla a tierra (GFCI) o como Dispositivo de protección diferencial (ELCB).

**Esta prohibido fijar rótulos o señales a la herramienta eléctrica con tornillos o remaches.** Un aislamiento dañado no le protege de una electrocución. Emplee etiquetas autoadhesivas.

**Siempre use la empuñadura adicional al trabajar.** La empuñadura adicional permite guiar con seguridad la herramienta eléctrica.

**Antes de la puesta en marcha inspeccione si están dañados el cable de red y el enchufe.**

## Tratamiento de materiales en polvo peligrosos.

**⚠ ADVERTENCIA** **Al trabajar con herramientas, p. ej., al lijar, pulir, serrar o realizar otros trabajos con arranque de material, los polvos que se producen pueden ser nocivos para la salud, autoinflamables o explosivos.**

El contacto o inspiración de ciertos materiales en polvo puede provocar en el usuario, o en las personas circundantes, reacciones alérgicas y/o enfermedades respiratorias, cáncer, daños congénitos u otros trastornos reproductivos.

A continuación, indicamos algunos de estos materiales junto con los productos químicos que contienen, cuyo polvo producido al trabajar, puede ser nocivo para la salud:

- Amianto y materiales que contengan amianto;
- Pinturas que contengan plomo, ciertos tipos de madera como, p. ej., haya, encino y roble;
- Minerales y metales;
- Partículas de sílice de ladrillo, concreto y demás materiales que contengan mineral;
- Los solventes que contienen ciertas pinturas;
- Arsénico, cromo y otros conservadores de la madera;
- Materiales para combatir parásitos en cascos de botes o barcos;
- Polvos de acero inoxidable, de metales y de metales no férricos.

**Recomendación: Siempre opere la herramienta eléctrica a través de un interruptor diferencial (RCD) con una corriente de disparo máxima de 30 mA.**

Para que la exposición a estos materiales sea mínima:

- Utilice un equipo de aspiración apropiado para el polvo producido.
- Use equipos de protección personal como, por ejemplo, una mascarilla guardapolvo con un filtro de la clase P2.
- Observe que esté bien ventilado el puesto de trabajo.

El riesgo derivado de la inspiración de polvo depende de la frecuencia con la que se procesen estos materiales. Los materiales que contengan amianto solamente deberán ser procesados por especialistas.

**⚠ ATENCIÓN** **El polvo de madera y el de aleaciones ligeras puede autoinflamarse o provocar una explosión.**

Si en el saco filtrante o en el filtro del aspirador, el polvo caliente producido al lijar se mezcla con restos de pintura, poliuretano, u otras materias químicas, puede que ésta se autoincendie bajo condiciones desfavorables como, p. ej., el salto de chispas al lijar metales, la exposición permanente y directa al sol, o una temperatura ambiente elevada. Para prevenir esta situación:

- Evite que se sobrecalienten la pieza de trabajo y la herramienta eléctrica.
- Vacíe el depósito de polvo con suficiente antelación.
- Observe las instrucciones de elaboración del fabricante del material.
- Considere las prescripciones vigentes en su país sobre los materiales a trabajar.

## Vibraciones en la mano/brazo.

**⚠️ ADVERTENCIA** Al trabajar con esta herramienta eléctrica se producen vibraciones en la mano y el brazo. Ello puede llegar a afectar su salud.

**⚠️ ADVERTENCIA** Las vibraciones generadas durante la aplicación actual de la herramienta eléctrica puede ser diferente del valor indicado, según el modo en que sea utilizada la herramienta.

**⚠️ ADVERTENCIA** Con el fin de proteger al usuario, es necesario fijar medidas de seguridad en base a una estimación de la exposición resultante bajo las condiciones de uso actuales.

El nivel de vibraciones indicado en estas instrucciones ha sido determinado según el procedimiento de medición fijado en la norma EN 60745 y puede servir como base de comparación con otras herramientas eléctricas. También es adecuado para estimar provisionalmente la emisión de vibraciones.

El nivel de vibraciones indicado ha sido determinado para las aplicaciones principales de la

herramienta eléctrica. Por ello, el nivel de vibraciones puede ser diferente si la herramienta eléctrica se utiliza en otras aplicaciones, con útiles diferentes, o si el mantenimiento de la misma fuese deficiente. Ello puede suponer un aumento drástico de la emisión de vibraciones durante el tiempo total de trabajo.

Para determinar con exactitud la emisión de las vibraciones, es necesario considerar también aquellos tiempos en los que el aparato esté desconectado, o bien, esté en funcionamiento, pero sin ser utilizado realmente. Ello puede suponer una disminución drástica de la emisión de vibraciones durante el tiempo total de trabajo.

Fije unas medidas de seguridad adicionales para proteger al usuario de los efectos por vibraciones, como por ejemplo: Mantenimiento de la herramienta eléctrica y de los útiles, conservar calientes las manos, organización de las secuencias de trabajo.

**Emisión de ruidos y vibraciones** (indicación de dos cifras según ISO 4871)

<b>Emisión de ruido</b>	<b>WSG 8-115 (**)</b>	<b>WSG 8-125 (**)</b>	<b>WSG 11-125 (**)</b>	<b>WSG 11-150 (**)</b>	<b>WSG 12-125P (**)</b>
Nivel de de presión sonora $L_{pA}$ (re 20 $\mu$ Pa), medido con filtro A en el puesto de trabajo, en decibelios	90	90	90	90	89
Inseguridad $K_{pA}$ , en decibelios	3	3	3	3	3
Nivel de potencia acústica $L_{WA}$ (re 1 pW), medido con filtro A, en decibelios	101	101	101	101	100
Inseguridad $K_{WA}$ , en decibelios	3	3	3	3	3
Valor pico del nivel de presión sonora $L_{pCpeak}$ medido con fil- tro C en el puesto de trabajo, en decibelios	105	105	105	105	104
Inseguridad $K_{pCpeak}$ en decibelios	3	3	3	3	3
<b>Vibración</b>					
nivel de vibraciones medio al amolar $a_{h,AG}$ , en					
- $m/s^2$	5.0	5.0	6.0	5.5	5.0
- $ft/s^2$	16.4	16.4	19.7	18.0	16.4
nivel de vibraciones medio al lijar $a_{h,DS}$ , en					
- $m/s^2$	1.8	1.8	1.8	1.8	2.0
- $ft/s^2$	5.9	5.9	5.9	5.9	6.6
Inseguridad $K$ , en					
- $m/s^2$	1.5	1.5	1.5	1.5	1.5
- $ft/s^2$	4.9	4.9	4.9	4.9	4.9

**OBSERVACIÓN:** la suma de los valores emitidos medidos, considerando la inseguridad respectiva, representa el límite superior que puede alcanzarse en las mediciones.



¡Utilizar unos protectores acústicos!

Valores de medición determinados según normativa del producto pertinente.

<b>Emisión de ruido</b>	<b>WSG 17-125P (**)</b>	<b>WSG 17-125PS (**)</b>	<b>WSG 17-150P (**)</b>	<b>WSG 17-70 Inox (**)</b>
Nivel de de presión sonora $L_{pA}$ (re 20 $\mu$ Pa), medido con filtro A en el puesto de trabajo, en decibelios	90	90	90	90
Inseguridad $K_{pA}$ , en decibelios	3	3	3	3
Nivel de potencia acústica $L_{wA}$ (re 1 pW), medido con filtro A, en decibelios	101	101	101	101
Inseguridad $K_{wA}$ , en decibelios	3	3	3	3
Valor pico del nivel de presión sonora $L_{pCpeak}$ medido con fil- tro C en el puesto de trabajo, en decibelios	105	105	105	105
Inseguridad $K_{pCpeak}$ en decibelios	3	3	3	3
<b>Vibración</b>				
nivel de vibraciones medio al amolador $a_{h,AG}$ , en				
- $m/s^2$	5.0	5.0	5.0	4.1
- $ft/s^2$	16.4	16.4	16.4	13.5
nivel de vibraciones medio al lijar $a_{h,DS}$ , en				
- $m/s^2$	3.5	3.5	3.5	2.2
- $ft/s^2$	11.5	11.5	11.5	7.2
Inseguridad $K$ , en				
- $m/s^2$	1.5	1.5	1.5	1.5
- $ft/s^2$	4.9	4.9	4.9	4.9

**OBSERVACIÓN:** la suma de los valores emitidos medidos, considerando la inseguridad respectiva, representa el límite superior que puede alcanzarse en las mediciones.



¡Utilizar unos protectores acústicos!

Valores de medición determinados según normativa del producto pertinente.

**Emisión de ruido**

	WSG 11-125R (**)	WSG 11-150R (**)	WSG 17-125PR (**)	WSG 17-150PR (**)	WSG 17-70 InoxR (**)
	WSG 11-125RT (**)	WSG 11-150RT (**)	WSG 17-125PRT (**)	WSG 17-150PRT (**)	WSG 17-70 InoxRT (**)
Nivel de de presión sonora $L_{pA}$ (re 20 $\mu$ Pa), medido con filtro A en el puesto de trabajo, en decibelios	90	90	90	90	90
Inseguridad $K_{pA}$ , en decibelios	3	3	3	3	3
Nivel de potencia acústica $L_{wA}$ (re 1 pW), medido con filtro A, en decibelios	101	101	101	101	101
Inseguridad $K_{wA}$ , en decibelios	3	3	3	3	3
Valor pico del nivel de presión sonora $L_{pCpeak}$ medido con filtro C en el puesto de trabajo, en decibelios	105	105	105	105	105
Inseguridad $K_{pCpeak}$ en decibelios	3	3	3	3	3

**Vibración**

nivel de vibraciones medio  
al amolar  $\alpha_{h,AG}$ , en

- $m/s^2$	7.9	7.3	5.9	5.0	3.4
- $ft/s^2$	25.9	24.0	19.4	16.4	11.2

nivel de vibraciones medio  
al lijar  $\alpha_{h,DS}$ , en

- $m/s^2$	1.5	1.5	2.1	1.6	1.6
- $ft/s^2$	4.9	4.9	6.9	5.3	5.3

Inseguridad  $K$ , en

- $m/s^2$	1.5	1.5	1.5	1.5	1.5
- $ft/s^2$	4.9	4.9	4.9	4.9	4.9

**OBSERVACIÓN:** la suma de los valores emitidos medidos, considerando la inseguridad respectiva, representa el límite superior que puede alcanzarse en las mediciones.



¡Utilizar unos protectores acústicos!

Valores de medición determinados según normativa del producto pertinente.



## Extensiones.

**⚠ ADVERTENCIA** En caso de utilizar una extensión, la longitud y la sección de la línea deberá ser la correcta para el trabajo a realizar para evitar una caída de tensión en la línea, una reducción de la potencia, y el sobrecalentamiento de la herramienta eléctrica. De lo contrario, se presentarán peligros de origen eléctrico en la extensión y en la herramienta eléctrica, además de reducirse sus prestaciones.

**Dimensiones del cable de extensión recomendadas para una tensión de servicio alterna monofásica de 120 V, conectando solamente una de estas herramientas eléctricas WSG8 (\*\*), WSG11 (\*\*), WSG12 (\*\*), WSG17 (\*\*):**

### WSG12 (\*\*), WSG17 (\*\*):

Longitud de la línea en pies			Longitud de la línea en m		
≤ 100	100 -200	200 -300	≤ 30	30 - 60	60 -100
Calibre A.W.G. del cable, mín.			Sección del cable en mm <sup>2</sup> , mín.		
14	12	10	2.5	4.0	6.0

### WSG8 (\*\*), WSG11 (\*\*):

Longitud de la línea en pies			Longitud de la línea en m		
≤ 100	100 -200	200 -300	≤ 30	30 - 60	60 -100
Calibre A.W.G. del cable, mín.			Sección del cable en mm <sup>2</sup> , mín.		
16	14	12	1.5	2.5	4.0

## Utilización reglamentaria de la herramienta eléctrica:

















Amoladora angular portátil para el amolado en seco y el tronzado de metal y piedra en lugares cubiertos con los útiles y accesorios homologados por FEIN.

### Alimentación de la herramienta eléctrica con un grupo electrógeno.

**!** Esta herramienta eléctrica es apta además para ser utilizada con grupos electrógenos de alterna siempre que dispongan de suficiente potencia y cumplan los requisitos según norma ISO 8528 para la clase de ejecución G2. Deberá prestarse especial atención a no sobrepasar el coeficiente de distorsión máximo del 10 % establecido en dicha norma. En caso de duda consulte los datos del grupo utilizado por Ud.

**⚠ ADVERTENCIA** Esta prohibido conectar la herramienta eléctrica a generadores de corriente cuya tensión en vacío sea superior a la tensión indicada en la placa de características de la herramienta eléctrica.

## Simbología.

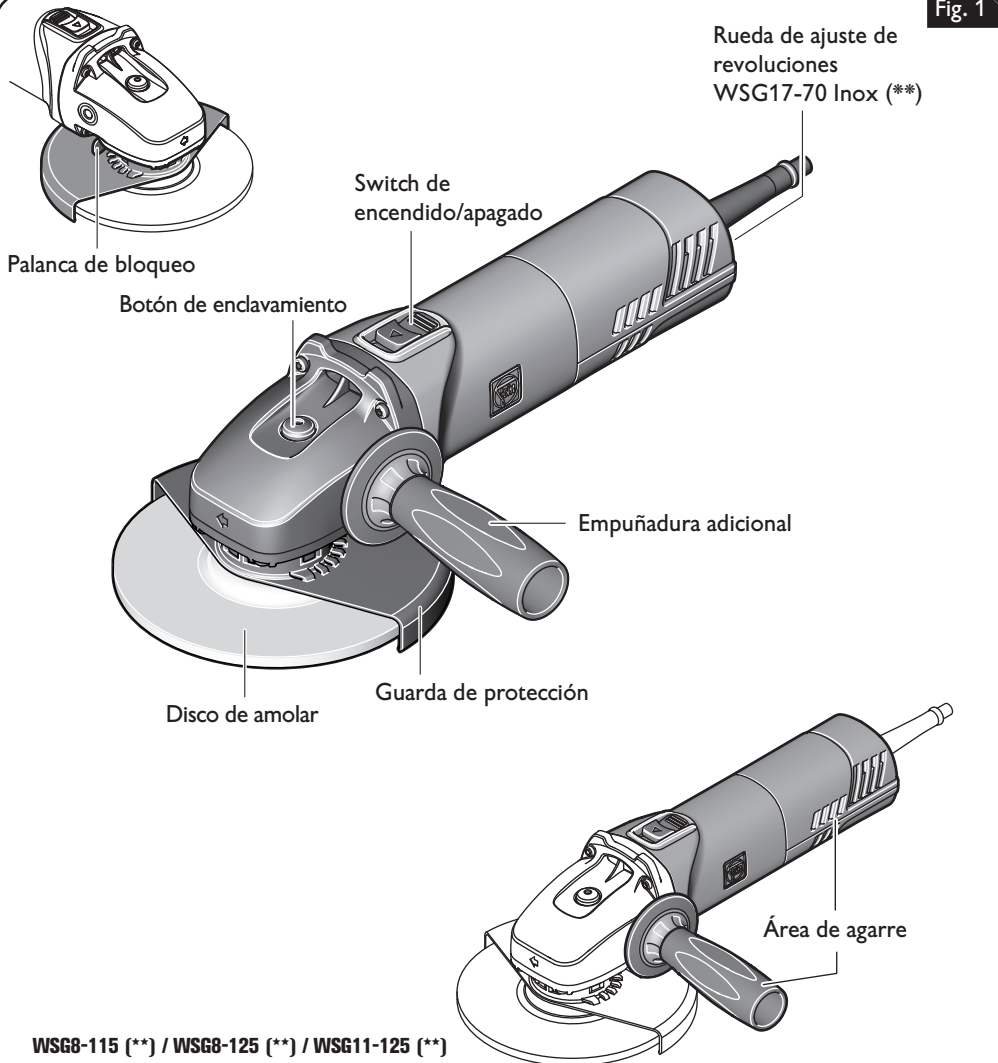
Símbolo	Definición
	Símbolo de prohibición general. Esta acción está prohibida.
	No tocar las piezas en rotación de la herramienta eléctrica.
	¡Seguir las instrucciones indicadas al margen!
	Es imprescindible leer los documentos que se adjuntan, como las instrucciones de servicio y las instrucciones generales de seguridad.
	Antes de realizar el paso de trabajo descrito, sacar el enchufe de la red. En caso contrario, podría accidentarse al ponerse en marcha fortuitamente la herramienta eléctrica.
	Al trabajar protegerse los ojos.
	Al trabajar utilizar un protector acústico.
	Al trabajar protegerse del polvo.
	Al trabajar utilizar una protección para las manos.
	Existe el riesgo de quemarse con una superficie muy caliente.
	Este símbolo confirma que este producto ha sido certificado en USA y Canadá.
	Este símbolo advierte sobre una situación peligrosa inminente. Un comportamiento incorrecto puede dar lugar a una lesión grave o incluso mortal.
	Este símbolo advierte sobre una situación peligrosa que puede comportar lesiones graves o mortales.
	Este símbolo advierte sobre una situación peligrosa en la que pudiera lesionarse.
	Acumular por separado las herramientas eléctricas y demás productos electro-técnicos y eléctricos inservibles y someterlos a un reciclaje ecológico.
	Producto dotado con un aislamiento doble o reforzado
~ o a. c.	Corriente alterna
≡ o d. c.	Corriente continua
1~	Corriente alterna monofásica
(**)	Puede contener cifras o letras

<b>Símbolo</b>	<b>Unidad nacional</b>	<b>Definición</b>
$n_0$	rpm; /min; $\text{min}^{-1}$ ; r/min	Revoluciones en vacío
$P$	W	Unidad de medida de la potencia
	°	Unidad de medida del ángulo
$U$	V	Unidad de medida de la tensión eléctrica
$f$	Hz	Unidad de medida de la frecuencia
$I$	A	Unidad de medida de la intensidad
$m$	kg, lbs	Unidad de medida de la masa
$l$	ft, in	Unidad de medida para la longitud, ancho, altura, profundidad, diámetro o roscas
$\emptyset$	ft, in	Diámetro de una pieza redonda
	m, s, kg, A, mm, V, W, Hz, N, °C, dB, min, $\text{m/s}^2$	Unidades básicas y unidades derivadas del sistema internacional de unidades <b>SI</b> .

## Descripción técnica y especificaciones.

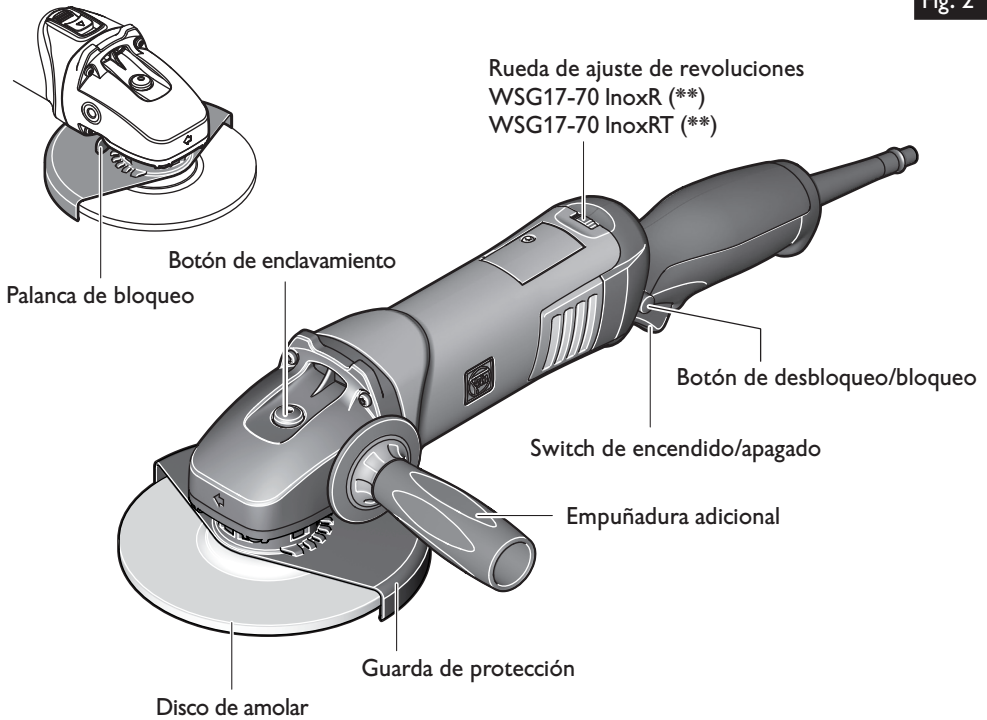
**⚠ ADVERTENCIA** Saque la clavija del enchufe antes de montar o cambiar los útiles y accesorios. Esta medida de seguridad preventiva evita los accidentes que pudieran presentarse en caso de una puesta en marcha involuntaria.

El material de serie suministrado con su herramienta eléctrica puede que no corresponda en su totalidad al material descrito o mostrado en estas instrucciones de servicio.

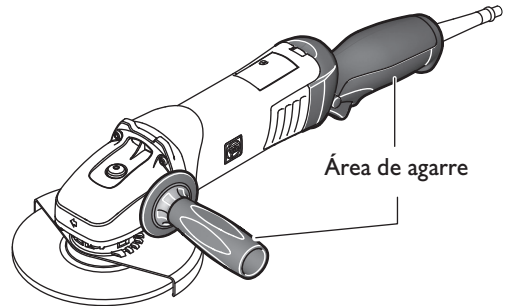


WSG8-115 (\*\*) / WSG8-125 (\*\*) / WSG11-125 (\*\*)  
 WSG11-150 (\*\*) / WSG12-125P (\*\*) / WSG17-125P (\*\*)  
 WSG17-125PS (\*\*) / WSG17-150P (\*\*) / WSG17-70 Inox (\*\*)

Fig. 2



**WSG11-125R (\*\*) / WSG11-125RT (\*\*)**  
**WSG11-150R (\*\*) / WSG11-150RT (\*\*)**  
**WSG17-125PR (\*\*) / WSG17-125PRT (\*\*)**  
**WSG17-150PR (\*\*) / WSG17-150PRT (\*\*)**  
**WSG17-70 InoxR (\*\*) / WSG17-70 InoxRT (\*\*)**



Tipo	WSG8-115 (**)	WSG8-125 (**)	WSG11-125 (**)	WSG11-150 (**)	WSG12-125P (**)
N° de referencia	7 222 ...	7 222 ...	7 222 ...	7 222 ...	7 222 ...
Corriente absorbida	6.9 A	6.9 A	9.6 A	9.6 A	10.5 A
Tipo de corriente	~ (a. c.) --- (d. c.)	~ (a. c.) --- (d. c.)	~ (a. c.) --- (d. c.)	~ (a. c.) --- (d. c.)	~ (a. c.)
Revoluciones en vacío	11000 rpm	11000 rpm	11000 rpm	8500 rpm	11000 rpm
Ø <sub>D</sub> = diámetro máx. del disco de amolar/ disco de corte	4 1/2 in 115 mm	5 in 125 mm	5 in 125 mm	6 in 150 mm	5 in 125 mm
Diámetro del alojamiento	7/8 in 22.23 mm	7/8 in 22.23 mm	7/8 in 22.23 mm	7/8 in 22.23 mm	7/8 in 22.23 mm
Grosor del disco de desbaste/corte	1/16 in – 1/4 in 1 mm – 6 mm	1/16 in – 1/4 in 1 mm – 6 mm	1/16 in – 1/4 in 1 mm – 6 mm	1/16 in – 1/4 in 1 mm – 6 mm	1/16 in – 1/4 in 1 mm – 6 mm
Diámetro máx. del plato lijador	4 1/2 in 115 mm	4 1/2 in – 5 in 115/125 mm	4 1/2 in – 5 in 115/125 mm	5 in – 6 in 125/150 mm	4 1/2 in – 5 in 115/125 mm
Rosca de la brida de apriete	5/8 in – 11UNC	5/8 in – 11UNC	5/8 in – 11UNC	5/8 in – 11UNC	5/8 in – 11UNC
Longitud del husillo roscado	3/4 in 20 mm	3/4 in 20 mm	3/4 in 20 mm	3/4 in 20 mm	3/4 in 20 mm
Peso según EPTA- Procedure 01	4.5 lbs (2.0 kg)	4.5 lbs (2.0 kg)	4.9 lbs (2.2 kg)	5.3 lbs (2.4 kg)	4.6 lbs (2.1 kg)
Clase de protección	□/II	□/II	□/II	□/II	□/II

Tipo	WSG17-125P (**)	WSG17-125PS (**)	WSG17-150P (**)	WSG17-70 Inox (**)
N° de referencia	7 222 ...	7 222 ...	7 222 ...	7 222 ...
Corriente absorbida	13 A	13 A	13 A	13 A
Tipo de corriente	~ (a. c.)	~ (a. c.)	~ (a. c.)	~ (a. c.)
Revoluciones en vacío	11000 rpm	7900 rpm	8500 rpm	2500 – 7900 rpm
Ø <sub>D</sub> = diámetro máx. del disco de amolar/disco de corte	5 in 125 mm	5 in 125 mm	6 in 150 mm	5 in 125 mm
Diámetro del alojamiento	7/8 in 22.23 mm	7/8 in 22.23 mm	7/8 in 22.23 mm	7/8 in 22.23 mm
Grosor del disco de desbaste/corte	1/16 in – 1/4 in 1 mm – 6 mm	1/16 in – 1/4 in 1 mm – 6 mm	1/16 in – 1/4 in 1 mm – 6 mm	1/16 in – 1/4 in 1 mm – 6 mm
Diámetro máx. del plato lijador	4 1/2 in – 5 in 115/125 mm	5 in 125 mm	5 in – 6 in 125/150 mm	5 in 125 mm
Rosca de la brida de apriete	5/8 in – 11UNC	5/8 in – 11UNC	5/8 in – 11UNC	5/8 in – 11UNC
Longitud del husillo roscado	3/4 in 20 mm	3/4 in 20 mm	3/4 in 20 mm	3/4 in 20 mm
Peso según EPTA- Procedure 01	5.1 lbs (2.3 kg)	5.3 lbs (2.4 kg)	5.3 lbs (2.4 kg)	5.3 lbs (2.4 kg)
Clase de protección	□/II	□/II	□/II	□/II

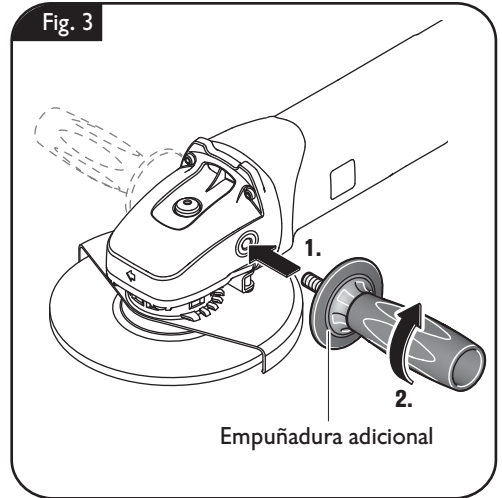
Tipo	WSG11-125R (**)	WSG11-150R (**)	WSG17-125 PR (**)	WSG17-150 PR (**)	WSG17-70 InoxR (**)
	WSG11-125RT (**)	WSG11-150RT (**)	WSG17-125 PRT (**)	WSG17-150 PRT (**)	WSG17-70 InoxRT (**)
Nº de referencia	7 222 ...	7 222 ...	7 222 ...	7 222 ...	7 222 ...
Corriente absorbida	9.6 A	9.6 A	13 A	13 A	13 A
Tipo de corriente	~ (a. c.)	~ (a. c.)	~ (a. c.)	~ (a. c.)	~ (a. c.)
Revoluciones en vacío	11000 rpm	8500 rpm	11000 rpm	8500 rpm	2500 – 8000 rpm
Ø <sub>D</sub> = diámetro máx. del disco de amolar/disco de corte	5 in 125 mm	6 in 150 mm	5 in 125 mm	6 in 150 mm	5 in 125 mm
Diámetro del alojamiento	7/8 in 22.23 mm	7/8 in 22.23 mm	7/8 in 22.23 mm	7/8 in 22.23 mm	7/8 in 22.23 mm
Grosor del disco de desbaste/corte	1/16 in – 1/4 in 1 mm – 6 mm	1/16 in – 1/4 in 1 mm – 6 mm	1/16 in – 1/4 in 1 mm – 6 mm	1/16 in – 1/4 in 1 mm – 6 mm	1/16 in – 1/4 in 1 mm – 6 mm
Diámetro máx. del plato lijador	4 1/2 in – 5 in 115/125 mm	5 in – 6 in 125/150 mm	4 1/2 in – 5 in 115/125 mm	5 in – 6 in 125/150 mm	5 in 125 mm
Rosca de la brida de apriete	5/8 in – 11UNC	5/8 in – 11UNC	5/8 in – 11UNC	5/8 in – 11UNC	5/8 in – 11UNC
Longitud del husillo roscado	3/4 in 20 mm	3/4 in 20 mm	3/4 in 20 mm	3/4 in 20 mm	3/4 in 20 mm
Peso según EPTA-Procedure 01	5.3 lbs (2.4 kg)	5.6 lbs (2.5 kg)	5.3 lbs (2.4 kg)	5.7 lbs (2.6 kg)	5.6 lbs (2.5 kg)
Clase de protección	□/II	□/II	□/II	□/II	□/II

## Instrucciones de montaje.

**⚠ ADVERTENCIA** Saque la clavija del enchufe antes de montar o cambiar los útiles y accesorios. Esta medida de seguridad preventiva evita los accidentes que pudieran presentarse en caso de una puesta en marcha involuntaria.

### Montaje de la agarradera adicional (Figura 3).

Dependiendo de la aplicación, enrosque la agarradera adicional a la derecha o izquierda de la herramienta eléctrica.



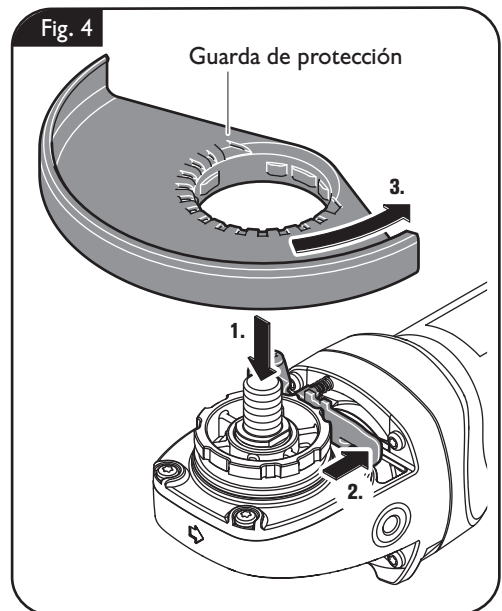
### Montaje de la guarda de protección (Figura 4).

**⚠ ADVERTENCIA** Para todos los trabajos excepto para cortar.

Aloje los salientes de la guarda de protección en las ranuras de la herramienta eléctrica.

Presione la palanca de bloqueo y gire la guarda de protección a la posición de trabajo deseada.

Enclave la palanca de bloqueo.

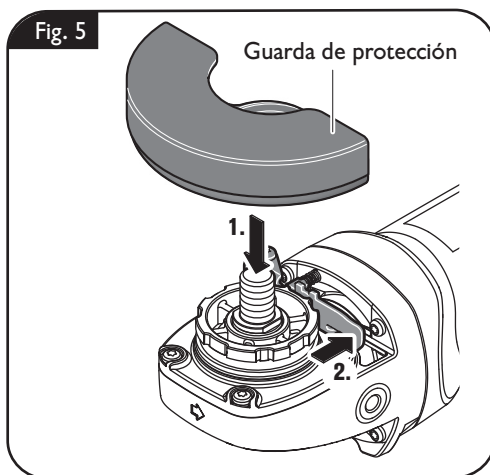




## Montaje de la guarda de protección para cortes (Figura 5).

**⚠ ADVERTENCIA** Al cortar utilice siempre la guarda de protección para cortes.

El montaje se realiza según se describe en el capítulo “Montaje de la guarda de protección”.



## Cambio de útil.

**⚠ ADVERTENCIA** Saque la clavija del enchufe antes de montar o cambiar los útiles y accesorios. Esta medida de seguridad preventiva evita los accidentes que pudieran presentarse en caso de una puesta en marcha involuntaria.

### Montaje del disco de amolar (Figura 6).

⚠ Solamente accione el botón de bloqueo estando detenido el motor.

Presione completamente y mantenga apretado el botón de bloqueo. Afloje la brida de apriete con la llave de pernos.

👉 Desenrosque la brida de apriete.

⚠ Sustituya el útil.

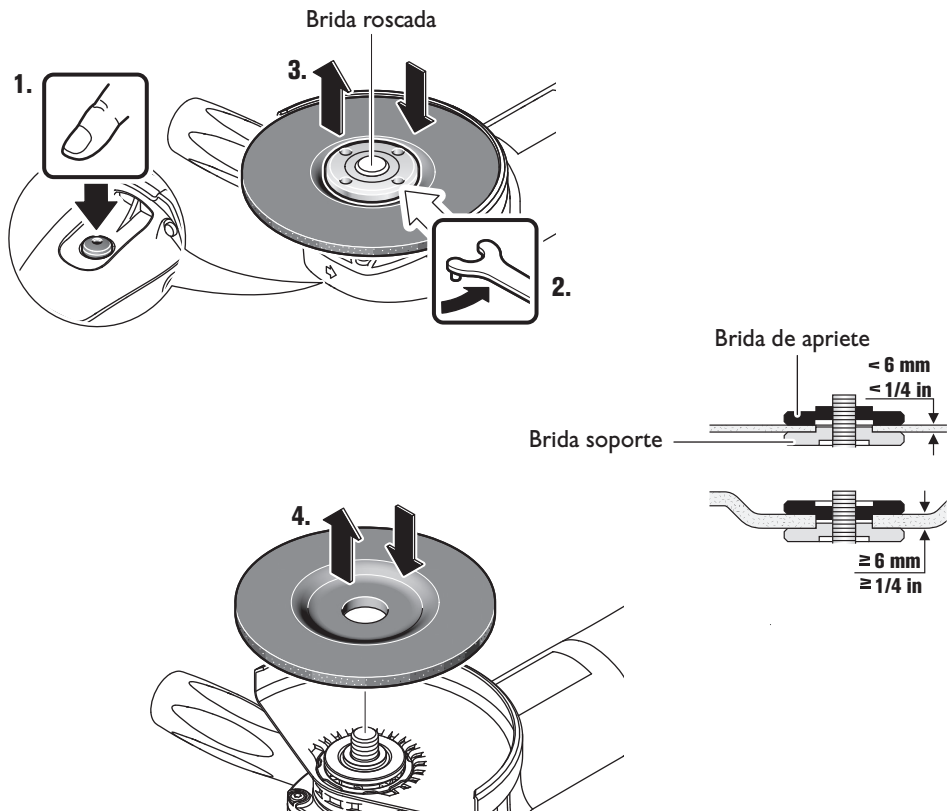
⚠ Al realizar esto, preste atención a que el útil quede bien centrado con la brida soporte y la brida de apriete.

Vuelva a enroscar a mano la brida de apriete.

Presione completamente y mantenga apretado el botón de bloqueo. Apriete firmemente la brida de apriete con la llave de pernos.

**Observación:** Tenga en cuenta que son diferentes ambos lados de la brida de apriete, debiendo asentarse el lado correspondiente contra el disco de amolar según cual sea su grosor.

Fig. 6



## Montaje del disco de amolar (Figura 7) en combinación con la brida soporte (accesorio opcional).

La brida soporte solamente deberá usarse con discos de amolar elaborados según ANSI B7.1-2010 tipos 27, 28 y 29, cuyo centro deprimido tenga una profundidad mínima de 4.6 mm (0.18 in) según norma DIN ISO 603-14.

! Solamente accione el botón de bloqueo estando detenido el motor.

Presione completamente y mantenga apretado el botón de bloqueo. Afloje la brida de apriete con la llave de pernos.

! Desenrosque la brida de apriete.

! Sustituya el útil.

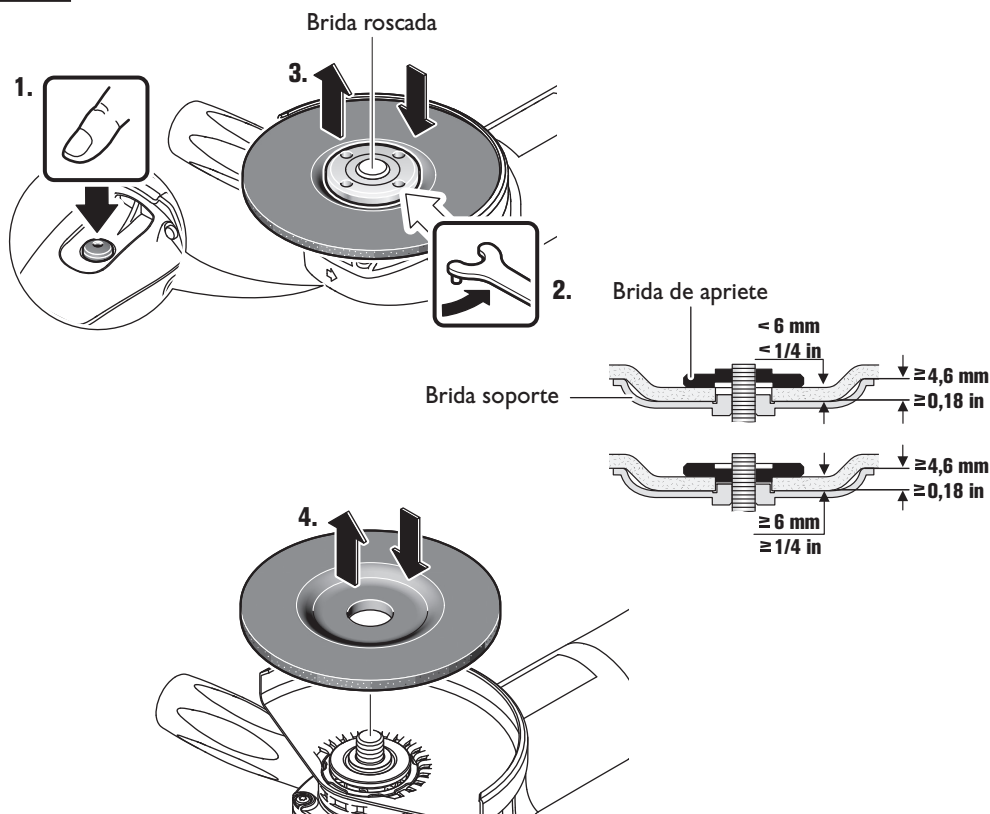
! Al realizar esto, preste atención a que el útil quede bien centrado con la brida soporte y la brida de apriete.

Vuelva a enroscar a mano la brida de apriete.

Presione completamente y mantenga apretado el botón de bloqueo. Apriete firmemente la brida de apriete con la llave de pernos.

**Observación:** Tenga en cuenta que son diferentes ambos lados de la brida de apriete, debiendo asentarse el lado correspondiente contra el disco de amolar según cual sea su grosor.

Fig. 7



## Ajustes.

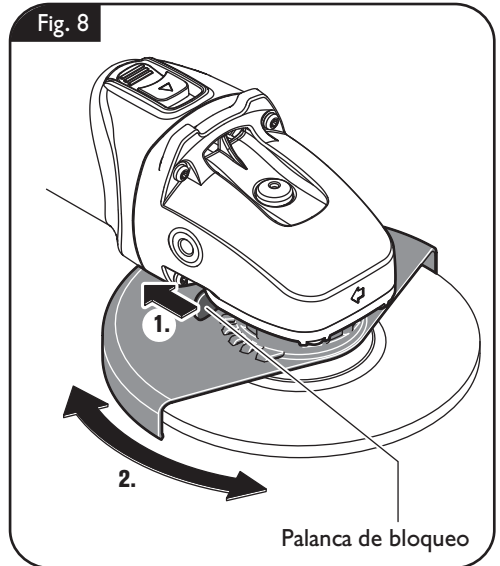
**⚠ ADVERTENCIA** Saque la clavija del enchufe antes de montar o cambiar los útiles y accesorios. Esta medida de seguridad preventiva evita los accidentes que pudieran presentarse en caso de una puesta en marcha involuntaria.

### Ajuste de la guarda de protección (Figura 8).

Afloje la palanca de sujeción.

Gire la guarda de protección a la posición de trabajo requerida y fije la misma con la palanca de sujeción.

Enclave la palanca de bloqueo.



## Instrucciones para la operación.

**⚠ ADVERTENCIA** Saque la clavija del enchufe antes de montar o cambiar los útiles y accesorios. Esta medida de seguridad preventiva evita los accidentes que pudieran presentarse en caso de una puesta en marcha involuntaria.

**!** Solamente use los útiles que FEIN haya previsto y autorizado para el trabajo que vaya a realizar.

### Conexión y desconexión.

**⚠ ADVERTENCIA** Asegúrese primeramente del perfecto estado de la línea y de la clavija.

**⚠ ATENCIÓN** Siempre sujete firmemente la herramienta eléctrica. En caso contrario podría perder el control sobre la herramienta eléctrica.

Si durante el funcionamiento de la amoladora (ver tabla) ésta hubiese dejado de alimentarse, incluso brevemente, p. ej. al sacar el enchufe de la red, la **protección contra re arranque** se encarga de que al volver a alimentarse la amoladora, ésta no vuelva a conectarse automáticamente.

Las amoladoras angulares con sistema electrónico (ver tabla) vienen equipadas con una protección contra sobrecarga y bloqueo. En caso de sobrecarga o bloqueo del útil se corta la alimentación del motor. En ese caso desconecte la herramienta eléctrica, sáquela de la pieza de trabajo e inspeccione el útil. A continuación, vuelva a conectar la herramienta eléctrica.

WSG12-125P (**)	WSG17-125PRT (**)
WSG17-125P (**)	WSG17-150PR (**)
WSG17-125PS (**)	WSG17-150PRT (**)
WSG17-150P (**)	WSG17-70 InoxR (**)
WSG17-70 Inox (**)	WSG17-70 InoxRT (**)
WSG17-125PR (**)	

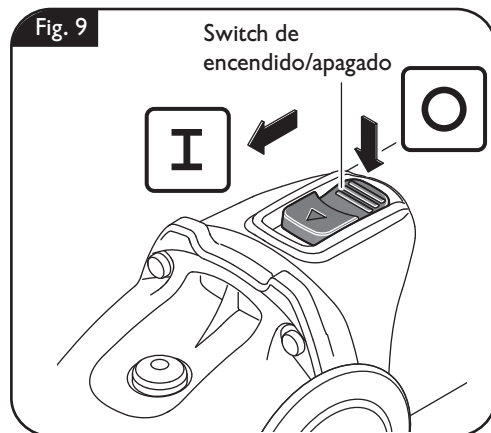
WSG8-115 (\*\*)/WSG8-125 (\*\*)/WSG11-125 (\*\*)/WSG11-150 (\*\*)/WSG12-125P (\*\*)/WSG17-125P (\*\*)/WSG17-125PS (\*\*)/ WSG17-150P (\*\*)/WSG17-70 Inox (\*\*) (Figura 9).

#### Conexión:

Empuje el switch hacia delante (I).

#### Desconexión:

Empuje el switch hacia atrás (O).



**WSG11-125R (\*\*)/WSG11-150R (\*\*)/WSG17-125PR (\*\*)/WSG17-150PR (\*\*)/WSG17-70 InoxR (\*\*)** (Figura 10).

**Conexión:**

Presione el botón de desbloqueo/bloqueo y manténgalo presionado. Accione el switch.

**Desconexión:**

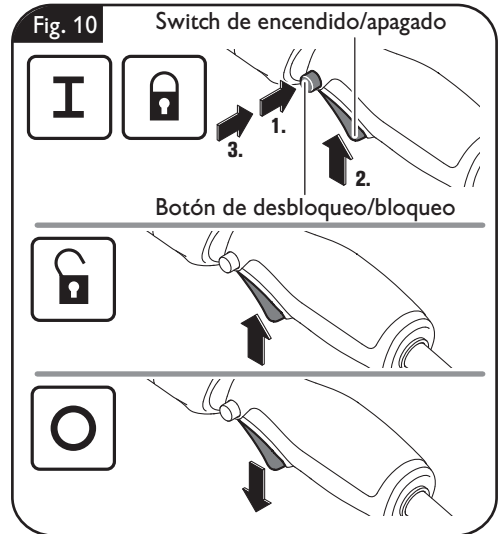
Suelte el switch.

**Retención:**

Presione hasta el fondo el botón de desbloqueo/bloqueo hasta lograr bloquear el switch.

**Desconexión del switch bloqueado:**

Presione hasta el fondo el switch y suéltelo a continuación.



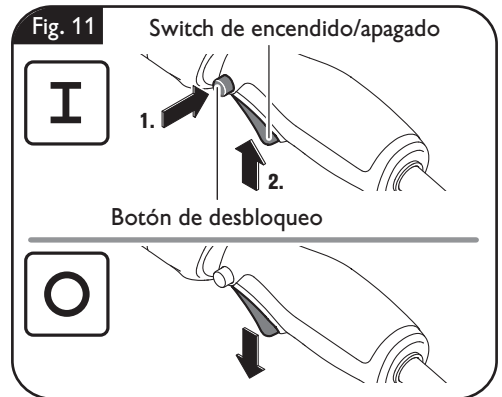
**WSG11-125RT (\*\*)/WSG11-150RT (\*\*)/WSG17-125PRT (\*\*)/WSG17-150PRT (\*\*)/WSG17-70 InoxRT (\*\*)** (Figura 11).

**Conexión:**

Presione el botón de desbloqueo y manténgalo presionado. Accione el switch.

**Desconexión:**

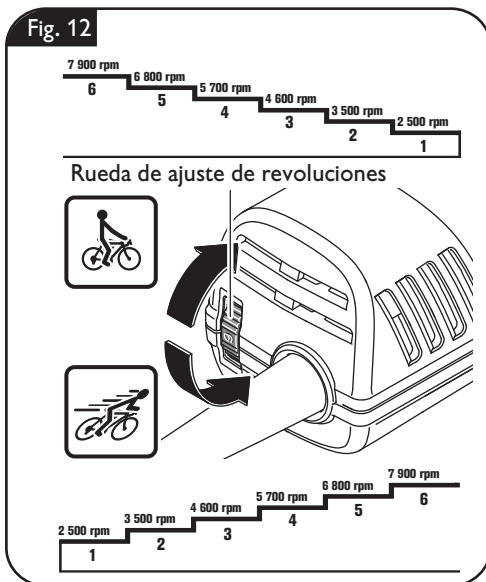
Suelte el switch.



## Ajuste del campo de revoluciones (WSG17-70 Inox (\*\*)) (Figura 12).

Las revoluciones pueden variarse de forma continua dentro de los campos de revoluciones ilustrados en la figura.

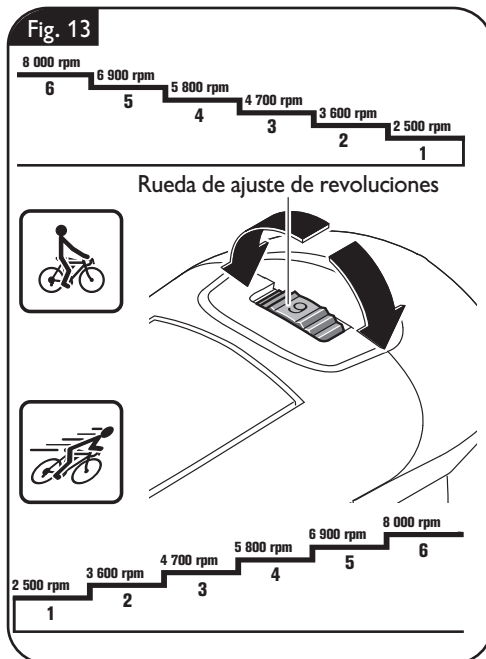
Seleccione en la rueda de ajuste de revoluciones una posición entre "1" (revoluciones mínimas) y "6" (revoluciones máximas).



## Ajuste del campo de revoluciones (WSG17-70 InoxR (\*\*)/ WSG17-70 InoxRT (\*\*)) (Figura 13).

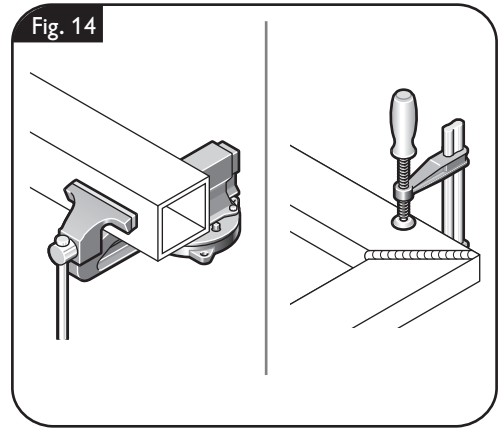
Las revoluciones pueden variarse de forma continua dentro de los campos de revoluciones ilustrados en la figura.

Seleccione en la rueda de ajuste de revoluciones una posición entre "1" (revoluciones mínimas) y "6" (revoluciones máximas).



## Sujeción de la pieza de trabajo (Figura 14).

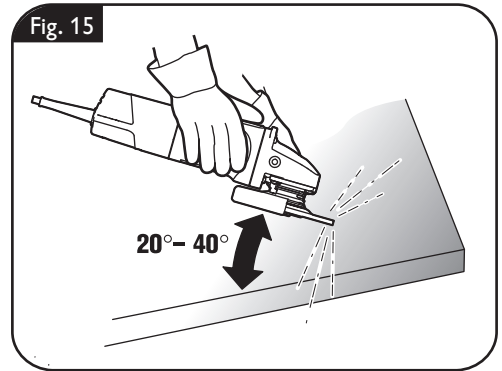
- ❗ **Sujete correctamente la pieza de trabajo.** Una pieza de trabajo incorrectamente sujeta puede provocar, p. ej., que se atore y rebote bruscamente el útil, que se caiga la pieza de trabajo, u otros tipos de incidente peligrosos.



## Amolado en seco (Figura 15).

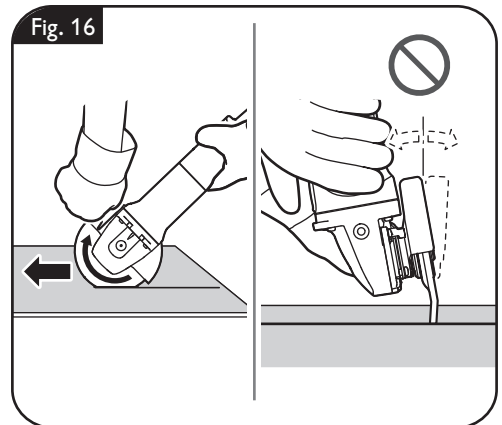
Guíe la herramienta manteniendo un ángulo de inclinación de  $20 - 40^\circ$ . De esta manera conseguirá un buen arranque de material.

- ⚙️ Presione uniformemente la herramienta eléctrica, moviéndola sobre la superficie.
- ❗ Evite que la pieza de trabajo se caliente excesivamente.



## Tronzado (Figura 16).

- ⚙️ Siempre guíe la herramienta eléctrica en dirección opuesta al sentido de giro del disco de corte para evitar que éste se salga de la ranura de corte.





## Reparación y servicio técnico.

**⚠ ADVERTENCIA** Saque la clavija del enchufe antes de montar o cambiar los útiles y accesorios. Esta medida de seguridad preventiva evita los accidentes que pudieran presentarse en caso de una puesta en marcha involuntaria.

### Piezas sustituibles.

Si fuese preciso, puede sustituir Ud. mismo las piezas siguientes:

Útiles, agarradera adicional, bridas de apriete, guarda de protección

La lista de piezas de refacción actual para esta herramienta eléctrica la encuentra en internet bajo [www.fein.com](http://www.fein.com).

### Servicio técnico.

**⚠ ADVERTENCIA** Únicamente deje realizar los trabajos de mantenimiento por un profesional. Las líneas y componentes mal montados pueden suponer un grave peligro. Deje efectuar el servicio requerido por un servicio técnico FEIN.

### Limpieza.

**⚠ ADVERTENCIA** Con el fin de evitar accidentes, saque de la alimentación la clavija de la herramienta eléctrica antes de realizar en la misma cualquier tipo de trabajo de limpieza o de mantenimiento.

**⚠ ADVERTENCIA** Si el aire ambiente contiene material en polvo conductor, p. ej., al trabajar metales, puede que este material llegue a depositarse en el interior de la herramienta eléctrica. Ello puede mermar

la eficacia del aislamiento de protección de la herramienta eléctrica. Por ello, se recomienda soplar con regularidad desde afuera, por las rejillas de refrigeración, el interior de la herramienta eléctrica con aire comprimido seco y exento de aceite, utilizando en ello siempre una protección para los ojos. Intercale un interruptor diferencial (FI) como medida de protección adicional.

**⚠ ATENCIÓN** No intente limpiar las rejillas de refrigeración de la herramienta eléctrica con objetos metálicos en punta, emplee para ello objetos que no sean de metal.

**⚠ ATENCIÓN** No aplique agentes de limpieza ni disolventes que pudieran atacar a las piezas de plástico. Algunos de estos agentes son: gasolina, tetracloruro de carbono, disolventes clorados, amoníaco y detergentes domésticos que contengan amoníaco.

**⚠ ATENCIÓN** En caso de que se dañe la línea de la herramienta eléctrica es necesario sustituirla por una línea de refacción original adquirible a través de uno de los servicios técnicos FEIN.

### Garantía.

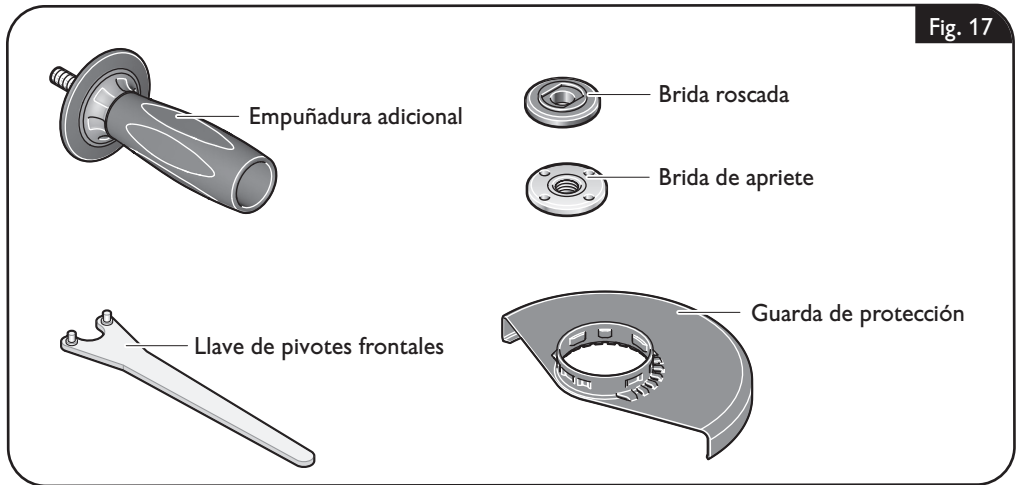
La garantía del producto se realiza de acuerdo a las regulaciones legales vigentes en el país de adquisición. Adicionalmente, FEIN ofrece una garantía ampliada de acuerdo con la declaración de garantía del fabricante FEIN.

El material de serie suministrado con su herramienta eléctrica puede que no corresponda en su totalidad al material descrito o mostrado en estas instrucciones de servicio.

### Protección del medio ambiente, eliminación.

Los embalajes, y las herramientas eléctricas y accesorios inservibles deberán entregarse a los puntos de recogida correspondientes para que puedan ser sometidos a un reciclaje ecológico. Informaciones adicionales al respecto las obtiene en su comercio especializado habitual.

## Accesorios incluidos en el suministro (Figura 17).

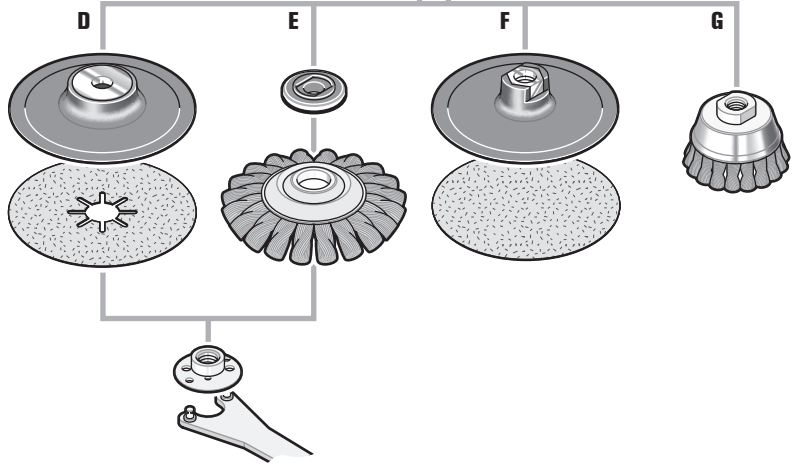
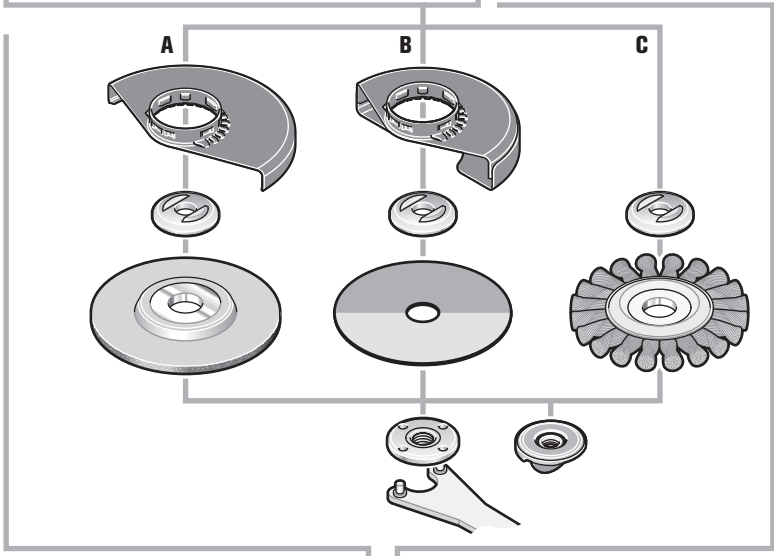


## Accesorios disponibles (Figura 18).

Únicamente utilice accesorios originales FEIN. Los accesorios deberán ser los apropiados para el tipo de herramienta eléctrica utilizado.

- A** Disco de desbastar, rueda abrasiva de láminas  
(emplear solamente teniendo montada la carcasa de protección)
- B** Disco de corte  
(emplear únicamente teniendo montada la guarda de protección para discos de corte)
- C** Cepillo de alambre de acero, plato de vellón de lijar
- D** Plato soporte para hojas lijadoras de fibra, hojas lijadoras de fibra  
(usar únicamente con los elementos de sujeción del plato de apoyo suministrados, utilizar solamente teniendo montada la protección para las manos o la carcasa de protección)
- E** Cepillo de vaso de alambre de acero
- F** Plato lijador con cierre Velcro, hojas de lijar y vellón de lijar con cierre de cardillo, esponjas  
(emplear únicamente con la protección para las manos montada)
- G** Cepillo de vaso con alambre de acero, rueda abrasiva de láminas  
(emplear únicamente teniendo montada la protección para las manos)

Fig. 18





### **USA**

FEIN Power Tools, Inc.  
1000 Omega Drive  
Suite 1180  
Pittsburgh, PA 15205  
Phone: 800-441-9878  
[www.feinus.com](http://www.feinus.com)

### **Canada**

FEIN Canadian Power Tool Company  
323 Traders Boulevard East  
Mississauga, Ontario L4Z 2E5  
Telephone: (905) 8901390  
Phone: 1-800-265-2581  
[www.fein.com](http://www.fein.com)

### **FEIN Service**

FEIN Power Tools, Inc.  
2735 Hickory Grove Road  
Davenport, IA 52804  
Phone: 800-441-9878  
[magdrillrepair@feinus.com](mailto:magdrillrepair@feinus.com)

### **Headquarter**

C. & E. Fein GmbH  
Hans-Fein-Straße 81  
D-73529 Schwäbisch Gmünd-Bargau  
[www.fein.com](http://www.fein.com)

