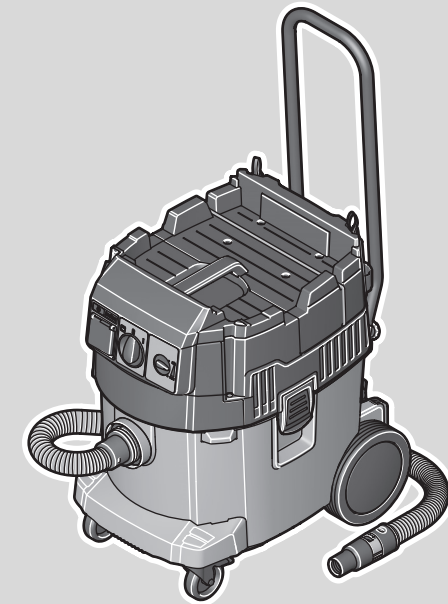




► Turbo II X AC HEPA (**) 9 20 30



USA

FEIN Power Tools, Inc.
1000 Omega Drive
Suite 1180
Pittsburgh, PA 15205
Phone: 800-441-9878
www.feinus.com

Canada

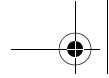
FEIN Canadian Power Tool
Company
323 Traders Boulevard East
Mississauga, Ontario L4Z 2E5
Telephone: (905) 8901390
Phone: 1-800-265-2581
www.fein.com

FEIN Service USA

FEIN Power Tools, Inc.
2735 Hickory Grove Road
Davenport, IA 52804
Phone: 800-441-9878
magdrillrepair@feinus.com

Headquarter

C. & E. Fein GmbH
Hans-Fein-Straße 81
D-73529 Schwäbisch Gmünd-Bargau
www.fein.com



en

Instruction Manual

3

fr

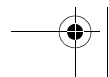
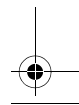
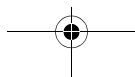
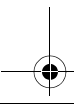
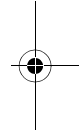
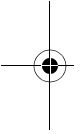
Mode d'emploi

25

es

Instrucciones de uso

48



IMPORTANT SAFETY INSTRUCTIONS.

READ ALL INSTRUCTIONS BEFORE USING THIS MACHINE.

Inform your dealer immediately if there is any shipping damage.

Completely remove the accessories from the box.

The suction unit is not suitable for sucking up hazardous dusts as asbestos. Please consult your FEIN branch or your FEIN dealer with regard to such applications.

Only operate the vacuum from a grounded outlet. Refer to the Technical data for the necessary main fuse.

Connect to a properly grounded outlet only - see Grounding instructions.

When using an electrical machine, basic precautions should always be followed, including the following: This vacuum is intended for commercial use.

DISCONNECT VACUUM CLEANER FROM POWER CIRCUIT before removing the cover, performing maintenance work, and when not in use.

DO NOT LEAVE the machine unattended when plugged in.

UNPLUG FROM OUTLET WHEN NOT IN USE AND BEFORE SERVICING.

ALWAYS CHECK THE POWER SUPPLY CORD for damage or signs of any aging before each use.

DO NOT PULL OR CARRY VACUUM CLEANER BY CORD. Do not close door on cord or pull cord around sharp edges.

KEEP CORD AWAY FROM HEAT AND OIL. Do not leave cord lying around after job is complete. It can become a tripping hazard.

DO NOT RUN VACUUM OVER CORD.

TURN SWITCH TO OFF before unplugging power supply cord.

DO NOT UNPLUG BY PULLING CORD. To unplug, grasp plug, not cord.

DO NOT GRASP PLUG OR APPLIANCE WITH WET HANDS.

A DAMAGED CORD OR PLUG should only be replaced by an authorized service center representative. **DO NOT ATTEMPT TO REPAIR POWER CORD.**

TO AVOID SHOCK, do not expose to rain. Store indoors.

USE ONLY AS RECOMMENDED BY THIS MANUAL. Use only with recommended attachments.

KEEP HAIR, CLOTHING, LOOSE JEWELRY, FINGERS and all parts of the body away from openings and moving parts.

DO NOT BLOCK OR OBSTRUCT OPENINGS. Keep openings free of lint, hair, dust, and anything that restricts air flow.

DO NOT PICK UP ANYTHING THAT IS BURNING, smoldering, or smoking such as matches, cigarettes, or hot ashes.

DO NOT USE TO VACUUM COMBUSTIBLE EXPLOSIVE MATERIALS, such as coal, grain, and other finely divided combustible material.

DO NOT USE TO VACUUM COMBUSTIBLE, hazardous, toxic, or carcinogenic materials, including gasoline, diesel fuel, acetone, paint thinner, heating oils, undiluted acids and solvents, pesticide, and asbestos.

USE RECOMMENDED FILTERS when vacuuming drywall materials.

DO NOT USE THE VACUUM CLEANER WITHOUT FILTER and/or properly inserted disposal bag.

CONNECT VACUUM CLEANER WITH PROPERLY GROUNDED OUTLET ONLY. See Grounding instructions.

DO NOT ALLOW VACUUM CLEANER TO BE USED AS A TOY. Keep children away from Vacuum Cleaner.

DO NOT LEAVE UNATTENDED while Vacuum Cleaner is running.

DO NOT USE IF CORD, PLUG, FILTER, OR VACUUM CLEANER IS IN POOR CONDITION. If the Vacuum Cleaner has been dropped, damaged, exposed to weather, or dropped into water; have it checked by an authorized service.

ALWAYS USE EYE PROTECTION when operating Vacuum Cleaner.

USE EXTRA CAUTION when operating on stairs.

STAY ALERT! Do not use Vacuum Cleaner when you are tired or under the influence of drugs, alcohol or medication.

SAVE THESE INSTRUCTIONS.

This vacuum is intended for commercial use.

**SAFETY INSTRUCTIONS
GROUNDING INSTRUCTIONS**

This appliance must be grounded. If it should malfunction or break down, grounding provides a path of least resistance for electric current to reduce the risk of electric shock.

This appliance is equipped with a cord having an equipment grounding conductor and ground plug.

The plug must be inserted into an appropriate outlet that is properly installed and grounded in accordance with all local codes and ordinances.

WARNING:

Improper connection of the equipment-grounding conductor can result in a risk of electric shock.

Check with a qualified electrician or service person if you are in doubt as to whether the outlet is properly grounded.

Do not modify the plug provided with the appliance.

If it will not fit the outlet, have a proper outlet installed by a qualified electrician.

This appliance is for use on a nominal 120-volt circuit, and has a grounded plug that looks like the plug illustrated in Fig. A.

A temporary adapter that looks like the adapter illustrated in Fig. B, may be used to connect this plug to a two-pole receptacle as shown in Fig. B, if a properly grounded outlet is not available.

The temporary adapter should be used only until a properly grounded outlet (Fig. A) is installed by a qualified electrician.

The green colored rigid ear, lug, or the like extending from the adapter must be connected to a permanent ground such as a properly grounded outlet box cover.

Whenever the adapter is used, it must be held in place by a metal screw.

IN ALL CASES, MAKE SURE THE RECEPTACLE IN QUESTION IS PROPERLY GROUNDED.

NEVER REMOVE GROUNDING PRONG FROM POWER PLUG.

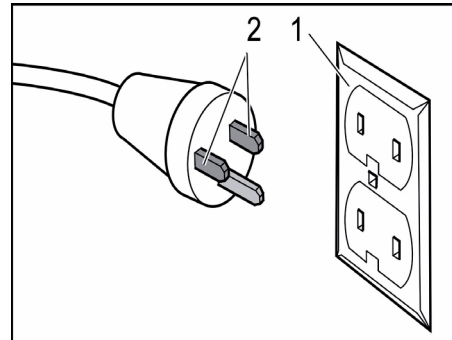
EXTENSION CORDS

Use only three-wire extension cords that have three-prong grounding-type plugs and three-pole receptacle that accepts the appliance's plug. Replace damaged or worn cord immediately.

To reduce the risk of electric shock, use only with an extension cord intended for outdoor use, such as SJW, SJTW or SJOW. Make sure your extension cord is in good condition and is the correct size for your appliance.

DO NOT ATTEMPT TO REPAIR POWER CORD.

Figure A

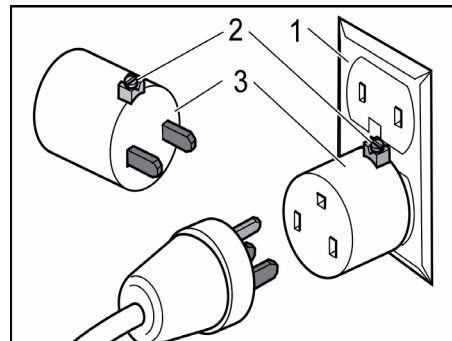


1 Grounded outlet box

2 Current carrying prongs

Grounding prong is longest of the 3 prongs

Figure B



1 Grounded outlet box


2 Grounding means

3 Adapter

Note: In Canada, the use of a temporary adapter is not permitted by the Canadian Electrical Code.

For your safety.

⚠ WARNING **Read all safety warnings and all instructions.** Failure to follow the warnings and instructions may result in electric shock, fire and/or serious injury. **Save all warnings and instructions for future-reference.**

 Do not use this vacuum cleaner before you have thoroughly read and completely understood these operating instructions, including the figures, specifications, safety regulations and the signs indicating DANGER, WARNING and CAUTION.

Only carry out such operations with this vacuum cleaner as intended for by FEIN. Only use application tools and accessories that have been released by FEIN.

Please also observe the relevant national industrial safety regulations.

Non-observance of the safety instructions in the said documentation can lead to an electric shock, burns and/or severe injuries.

This Instruction Manual should be kept for later use and enclosed with the power tool, should it be passed on or sold.

SAVE THESE INSTRUCTIONS.

General safety rules.

1) Workplace

- a) **Keep work area clean and tidy.** Cluttered or dark work areas invite accidents.
- b) **Do not operate the power tool in explosive atmospheres, such as in the presence of flammable liquids, gases or dusts.** Power tools create sparks which can ignite the dust or fumes.
- c) **Keep children and bystanders away while operating the vacuum cleaner.** Distractions can cause you to lose control over the device.

2) Electrical safety

- a) **The mains plug of the device must match the socket outlet. Never modify the plug in any way. Do not use adapter plugs with protective grounded devices.** Unmodified plugs and matching outlets will reduce the risk of electric shock.
- b) **Avoid body contact with grounded surfaces, such as from pipes, heaters, stoves/ranges and refrigerators.** There is an increased risk of electric shock when your body has contact to grounded surfaces.
- c) **Keep the device away from rain or moisture.** The penetration of water into an electrical device increases the risk of an electric shock.
- d) **Do not misuse the cord to carry the device, hang it up, or for pulling the plug out of the outlet. Keep the cord away from heat, oil, sharp edges or moving parts.** Damaged or entangled cords increase the risk of electric shock.

e) When operating the vacuum cleaner

outdoors, only use extension cords suitable for outdoor use. Use of a cord suitable for outdoor use reduces the risk of electric shock.

f) When operating the vacuum cleaner in damp environments is unavoidable, use a ground-fault circuit interrupter. The use of a ground-fault circuit interrupter reduces the risk of electric shock.

3) Personal safety

- a) **Stay alert, watch what you are doing, and use common sense when operating a vacuum cleaner. Do not use the device while tired or under the influence of drugs, alcohol, or medication.** A moment of inattention while operating the device may result in personal injury.
- b) **Prevent unintentional starting. Make sure that the switch is in the "OFF" position before plugging the plug into the socket outlet.** When your finger is on the switch while carrying the device or when connecting the device to the power supply while it is switched on, accidents can occur.
- c) **Do not overreach. Keep proper footing and balance at all times.** This enables better control of the device in unexpected situations.

- 4) Vacuum cleaner use and care**
- a) Do not overload the vacuum cleaner. Use the vacuum cleaner intended for your work.** The correct vacuum cleaner will do the job better and safer at the rate for which it is designed.
- b) Do not use a vacuum cleaner that has a defective switch.** A vacuum cleaner that cannot be controlled with the switch is dangerous and must be repaired.
- c) Before carrying out adjustments on the vacuum cleaner, replacing accessories or placing down the vacuum cleaner, pull the plug from the socket outlet.** This safety measure prevents accidental starting of the device.
- d) Store idle vacuum cleaners out of the reach of children. Do not allow persons unfamiliar with the vacuum cleaner or these instructions to operate the vacuum cleaner.** Vacuum cleaners are dangerous in the hands of untrained users.
- e) Maintain the vacuum cleaner with care. Check for misalignment or binding of moving parts, breakage of parts and any other condition that may affect the vacuum cleaner's operation. Have damaged parts repaired before using the vacuum cleaner.** Many accidents are caused by poorly maintained vacuum cleaners.
- f) Use the vacuum cleaner, accessories, etc. according to these instructions and as specified for this specific type of device. Take into consideration the working conditions and the activities to be carried out.** Use of vacuum cleaners for operations different from those intended could result in hazardous situations.
- 5) Service**
- a) Have your vacuum cleaner repaired only through a qualified repair person and only using original replacement parts.** This will ensure that the safety of the vacuum cleaner is maintained.

Special safety instructions.

This vacuum cleaner is not intended to be used by persons (including children) with limited physical, sensory or mental capabilities, or lack of experience and/or knowledge.

Supervise children. This will ensure that children do not play with the vacuum cleaner.

⚠ WARNING **Persons operating this vacuum cleaner must be properly instructed in how to use it. Before using, the person operating the vacuum cleaner must be provided with information, instructions and training on the use of the vacuum cleaner and the materials for which it is to be used, including the safe handling for disposal of the materials having been vacuumed. The person operating the vacuum cleaner must observe the valid safety regulations for the materials being handled.**

Wear personal protective equipment. Depending on application, use face shield, safety goggles or safety glasses. Where appropriate, wear dust mask, hearing protectors, gloves and workshop apron capable of stopping small abrasive or workpiece fragments. The safety glasses must be capable of protecting against flying particles generated by the various operations. Prolonged exposure to high intensity noise may cause loss of hearing.

Operate the vacuum cleaner only from grounding outlets that are according to regulations. Only use undamaged supply cords and regularly checked extension cords with ground contact. A protective conductor without continuity can lead to electric shock.

The grounded connection socket discharges static charges. In connection with electrostatically discharging accessories (optional), this prevents the formation of sparks and current surges.

When wet vacuuming, operate the vacuum cleaner only when the container is level. Otherwise there is danger of electric shock from water penetrating into the vacuum cleaner's motor.

Do not misuse the power supply cord to pull the vacuum cleaner around or pull the mains plug from the socket outlet. Keep the power supply cord away from heat, oil, sharp edges, or rotating parts. Do not drive over or pinch the power supply cord. Damaged or entangled power supply cords increase the risk of an electric shock.

Before replacing accessories, pull the mains plug from the socket outlet. This safety measure reduces the risk of electric shock.

Do not vacuum materials that are hazardous to one's health, e. g., dust from beech or oak wood, masonry dust, asbestos. These materials are considered carcinogenic.

Provide for good ventilation of the workplace.

Do not vacuum inflammable or explosive liquids; for example, gasoline, oil, alcohol, solvents. Do not vacuum hot or inflammable dusts. Do not operate the machine in rooms where the danger of an explosion exists. The dusts, vapors or liquids can ignite or explode.

Do not rivet or screw any name-plates or signs to the vacuum cleaner. If the insulation is damaged, protection against an electric shock will be ineffective. Adhesive labels are recommended.

Do not use accessories not specifically intended or recommended for this vacuum cleaner by FEIN. Just because the accessory can be attached to your vacuum cleaner, it does not assure safe operation.

Before putting into operation, check the power connection and the power plug for damage.

⚠ WARNING Use the integrated socket outlet only for connection of an external power tool. The vacuum cleaner is automatically put into operation via the connected power tool.

The connected load of the power tool must not exceed the maximum connected load of the integrated socket outlet P_A.

Please also observe the operating instructions and safety warnings of the power tool being connected to the socket outlet of the vacuum cleaner.

Recommendation: Always operate the power tool via a ground-fault circuit interrupter with a rated residual current of 30 mA or less.

The vacuum cleaner may only be stored indoors.

The allowable ambient temperature when vacuuming is +14 °F to +104 °F (-10 °C to +40 °C).

Using the vacuum cleaner at low temperatures is not permitted. At low temperatures, the mains cable can become damaged and thus impair the safety.

Emission values for noise and vibrations (Dual-number values according to IEC 60335-2-69)


Sound emission

Turbo II X AC HEPA

A-weighted emission pressure power level measured at the workplace L_{pA} (re 20 µPa), in decibels 70

Measuring uncertainty K_{pA} , in decibels 2

REMARK: The sum of the measured emission value and respective measuring inaccuracy represents the upper limit of the values that can occur during measuring.

 Wear hearing protection!

Measured values determined in accordance with the corresponding product standard.

Extension cable.

⚠ WARNING If the use of an extension cable is required, its length and conductor cross-section must be adequate for the applicational case, in order to prevent a voltage drop in the extension cable, power loss and overheating of the vacuum cleaner. Otherwise, the extension cable and vacuum cleaner are liable to electrical danger, and the working efficiency will be impaired.

Intended use of the vacuum cleaner:

Wet/dry vacuum cleaner for vacuuming and extraction of dry, non-hazardous dusts, minor dust particles, particularly when carrying out dust-forming work with a power tool, and non-combustible liquids, in weather-protected environments using the application tools and accessories recommended by FEIN. This vacuum cleaner is intended for commercial use, e.g., in hotels, schools, hospitals, factories, stores, offices and rental businesses.



WARNING

The vacuum cleaner contains dust hazardous to one's health. Have the emptying and maintenance, incl. the disposal of dust-collection containers, carried out only by specialists. Appropriate protective equipment is required. Do not operate the vacuum cleaner without the complete filter system. Otherwise there is danger to your own health.

Operation of the power tool off power generators.






This vacuum cleaner is also suitable for use with AC generators with sufficient power output that correspond to the Standard ISO 8528, design type G2. This Standard is particularly not complied with when the so-called distortion factor exceeds 10 %. When in doubt, please refer to the generator instruction/specification guide.

WARNING

Operating the vacuum cleaner off power generators whose no-load voltage exceeds the voltage value on the type plate of the power tool is prohibited.

Symbols.

Symbol, character	Explanation
	Make sure to read the enclosed documents such as the Instruction Manual and the General Safety Instructions.
	Before commencing this working step, pull the power plug out of the socket. Otherwise there will be danger of injury if the power tool should start unintentionally.
	Observe the instructions in the text or graphic opposite!
	Observe the instructions in the text or graphic opposite!
	Use eye protection during operation.
	Use ear protection during operation.
	This symbol confirms the certification of this product for the USA and Canada.
	General prohibition sign. This action is prohibited.
	This sign warns of a directly imminent, dangerous situation. A false reaction can cause a severe or fatal injury.
	This sign indicates a possible dangerous situation that could cause severe or fatal injury.
	This sign warns of a possible dangerous situation that could cause injury.

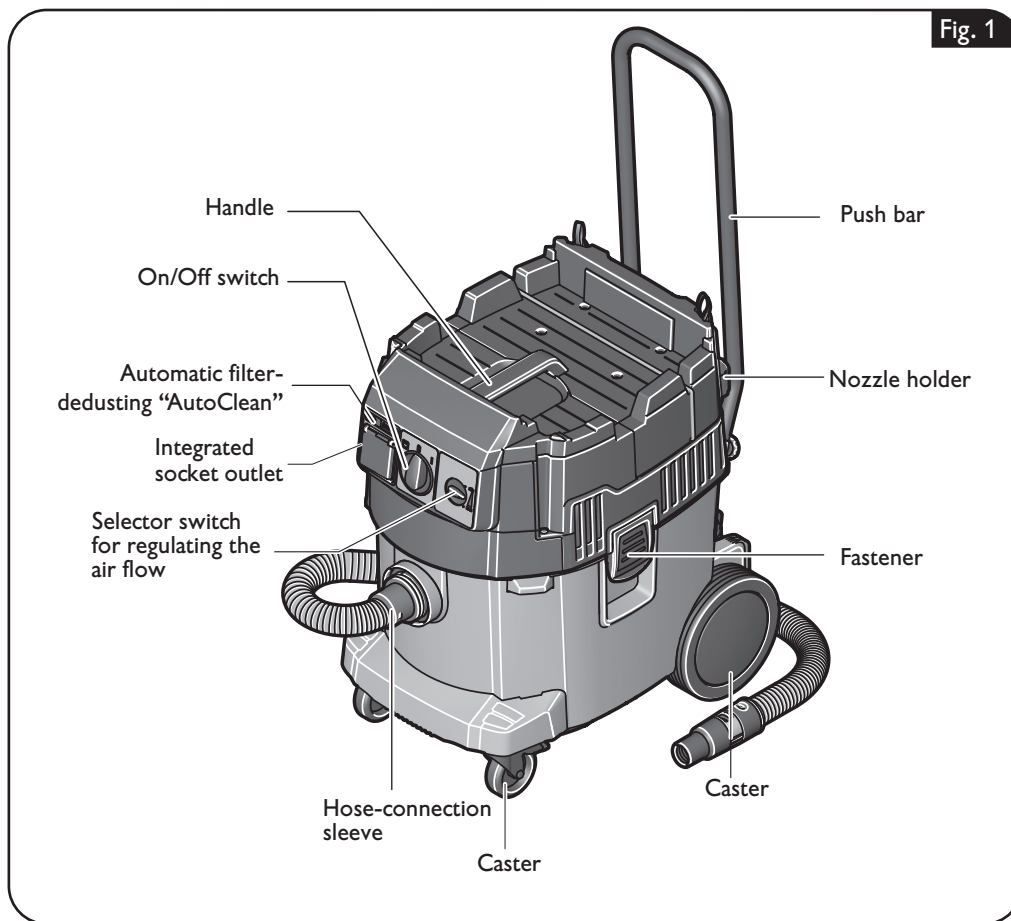
Symbol, character	Explanation
	Worn out power tools and other electrotechnical and electrical products should be sorted separately for environmentally-friendly recycling.
	Product with basic insulation and exposed, conductive parts additionally connected to the ground conductor.
	Switching on
	Switching off
~ or a. c.	Alternating current
1 ~	Alternating current, single-phase
IPX4	Protection class
	Electrostatically conductive
(**)	may contain numbers and letters

Character	Unit of measurement, national	Explanation
n_0	rpm; /min; min^{-1} ; r/min	Rated speed
P	W	Electrical power
P_{Max}	W	Power input, max.
	°	Angle width
U	V	Electric voltage
f	Hz	Frequency
I	A	Electric current intensity
m	lbs	Mass
l	ft, in	Length, width, height, depth, diameter or thread
\varnothing	ft, in	Diameter of a round part
	m, s, kg, A, mm, V, W, Hz, N, °C, dB, min, m/s^2	Basic and derived units of measurement from the international system of units SI .

Technical description and specifications.

⚠ WARNING Before mounting or replacing accessories, pull the mains plug. This preventive safety measure rules out the danger of injuries through accidental starting of the vacuum cleaner.

The delivery scope of your vacuum cleaner may include only a part of the accessories described or shown in this instruction manual.



Type	Turbo II X AC HEPA
Order number	9 20 30 060 99 0
Current consumption	9 A
Max. connected current of the integrated socket outlet	6 A
Container capacity	9.3 gal 35 l
Filling capacity for liquids	5.5 gal 21 l
Flow rate with 4 m hose	82.6 cfm 39 l/s
Flow rate at blower	152.6 cfm 72 l/s
Vacuum	235 hPa
Length x Width x Height	540 mm x 355 mm x 590 mm
Weight according to EPTA-Procedure 01	31.1 lbs (14.1 kg)
Class of protection	⊕/I
Power cord	25 ft (7.5 m) SJOW 3/14 AWG

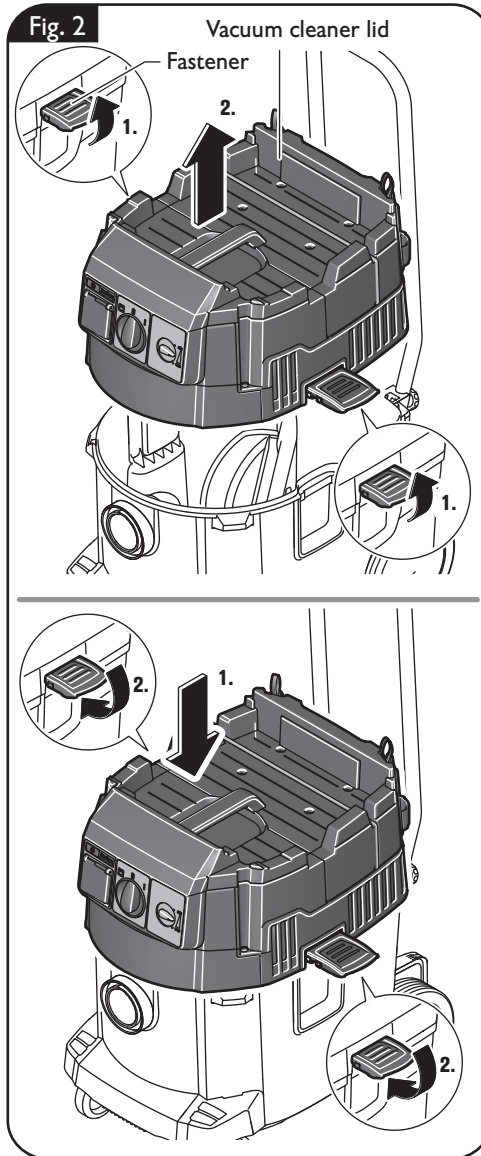
		3 13 45 079 01 0
		3 13 45 120 01 0
	HEPA	3 13 45 274 01 0
		3 13 45 063 01 0

Assembly instructions.

⚠ WARNING Before mounting or replacing accessories, pull the mains plug. This preventive safety measure rules out the danger of injuries through accidental starting of the vacuum cleaner.

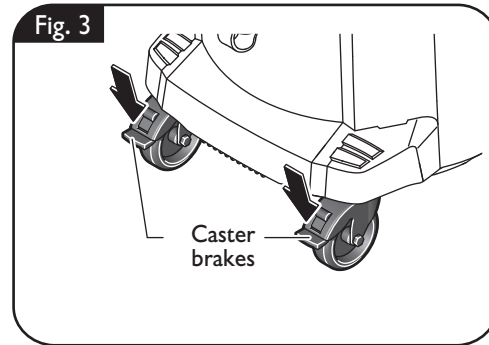
Removing and mounting the vacuum cleaner lid (figure 2).

Open the fasteners on both sides and take off the vacuum cleaner lid.
Mount the vacuum cleaner lid again and press the fasteners down again.



Locking the caster brakes (figure 3).

To actuate the caster brakes, push the metal lever of the casters downwards.

**Inserting a disposal bag (figure 4).**

Open the fasteners on both sides and take off the vacuum cleaner lid.

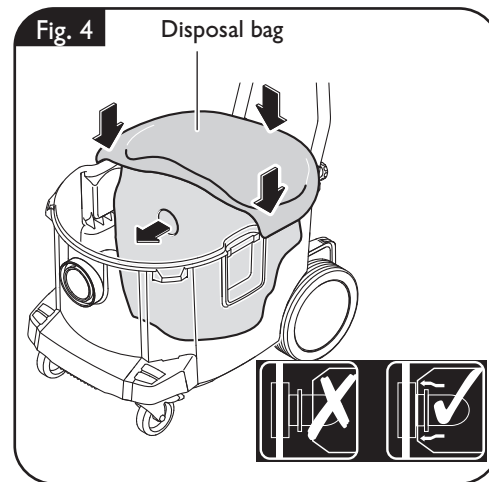
For vacuuming fine dust and for low-dust disposal, a disposal bag or fleece filter bag must additionally be used.

When inserting, work the disposal bag over the container rim. Pull the round opening of the disposal bag completely over the collar of the vacuum socket.

To remove, work the disposal bag up, and pull it out toward the rear via the vacuum socket.

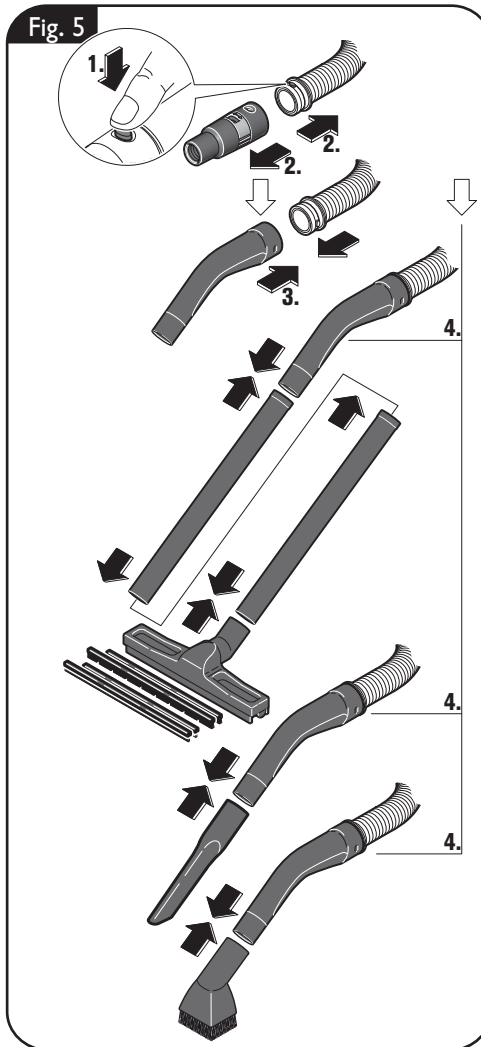
Seal off the disposal bag with the closing strip.

After vacuuming wet debris, always remove the disposal bag.



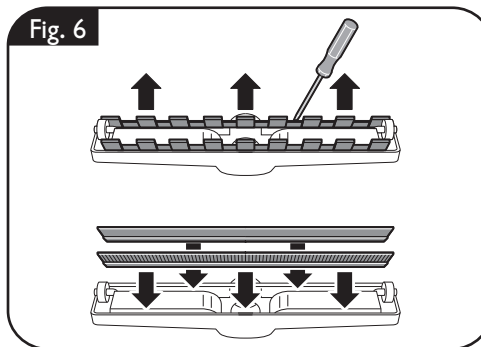
Accessories (figure 5).

Mount accessories applying only slight pressure. For disassembling, turn the parts somewhat against each other and pull apart.



Mounting the rubber lips (figure 6).

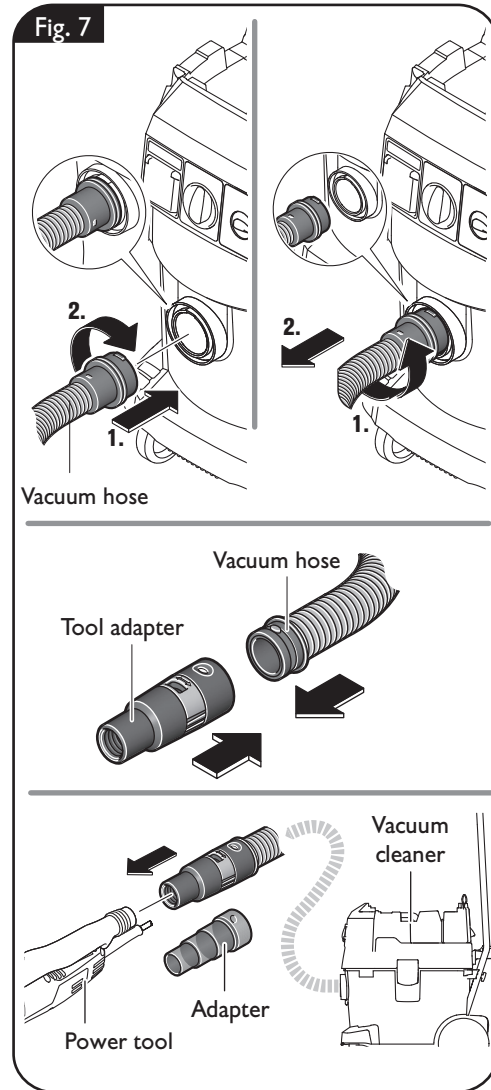
Remove the brush strips and mount the rubber lips. The structured side of the rubber lips must face outward.



Connecting the vacuum hose (figure 7).

Insert the vacuum hose to the stop in the hose connection socket. Lock the fastener with a light turn.

Mount the tool adapter to the vacuum hose and the desired power tool.



Mounting and cleaning the flat-fold filter (figure 8).

Changing the filter, see Section “Troubleshooting.”

Wear personal protective equipment (respiratory mask, protective gloves) when changing the filter.

The filter may only be changed in rooms suitable for this, where other persons are not at hazard.

After removing the contaminated filter, clean the clean-gas side and the sealing surfaces using commercially available, non-scouring cleaning agents and water.

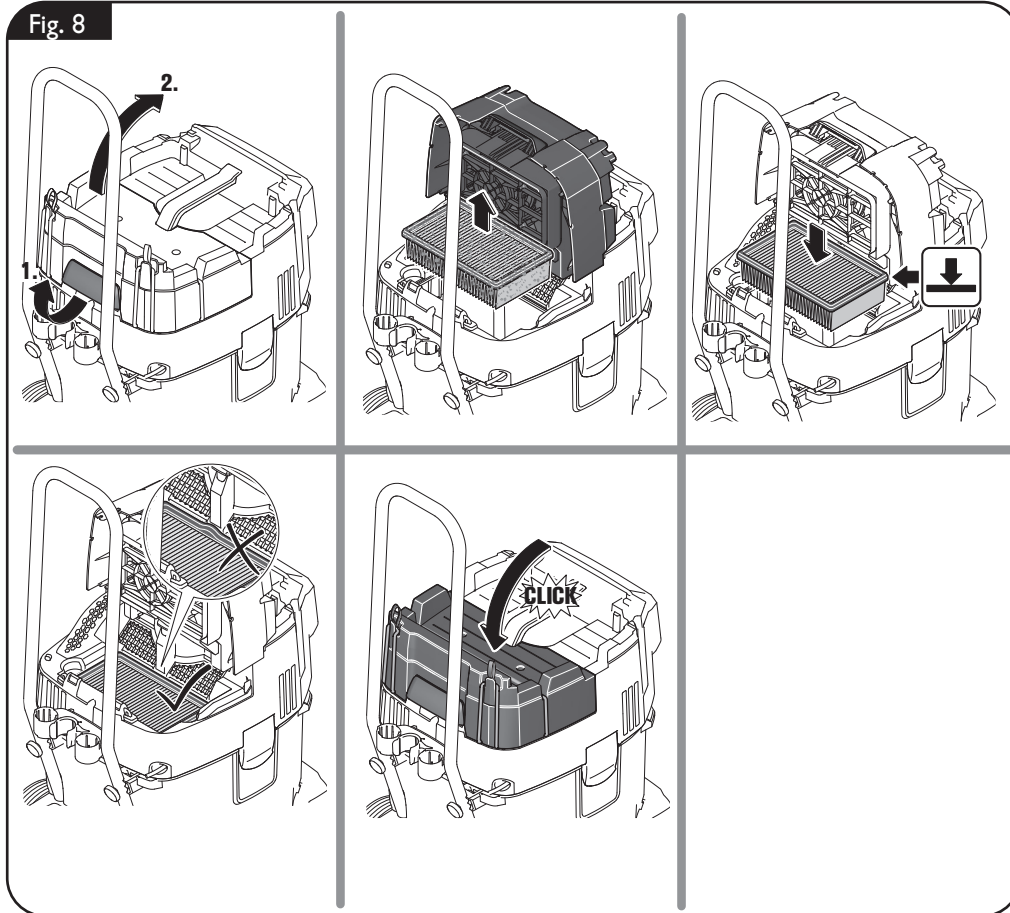
CAUTION Never vacuum without the flat-fold filter, as otherwise the motor will become damaged and increased output of fine dust may pose a hazard to one's health.

⚠ Before switching from wet to dry vacuuming, allow the wet flat-fold filter to dry or replace with a dry flat-fold filter. Otherwise, the flat-fold filter will become unusable.

Keep the flat-fold filter dry and clean it regularly.

The requirements of the EPA Directive (RRP) are only fulfilled when the HEPA filter is used. For this, the HEPA filter must be in good condition and used properly.

Fig. 8



Working instructions.

⚠ WARNING Before mounting or replacing accessories, pull the mains plug. This preventive safety measure rules out the danger of injuries through accidental starting of the vacuum cleaner.

Switching on and off (figure 9).

⚠ WARNING Check the power supply cable and the plug for damage.


Switching on:

Set the On/Off switch to (I).

Switching off:

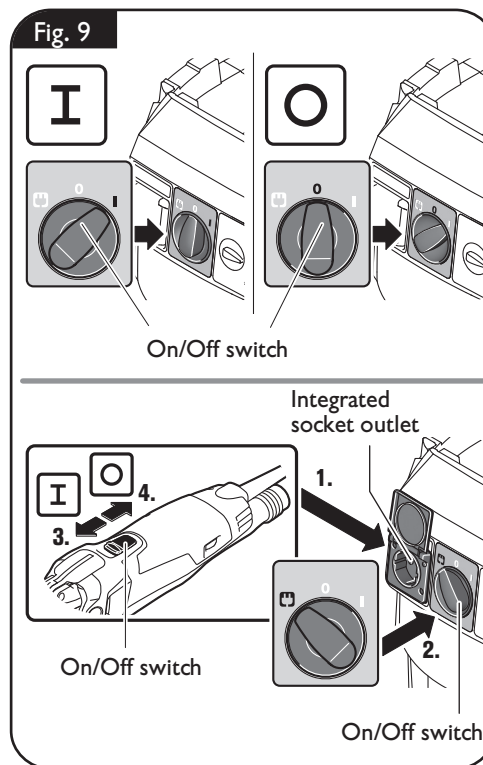
Set the On/Off switch to (0).

Integrated socket outlet

In switch position , the vacuum cleaner automatically starts as soon as the power tool connected to it is switched on.

Switch the vacuum cleaner off before connecting a power tool to the vacuum cleaner's socket outlet. Make sure that the power tool is switched off when inserting its plug into the vacuum cleaner's socket outlet.

After switching off a power tool connected to the vacuum cleaner's socket outlet, the vacuum cleaner will run on for approx. 15 seconds and then automatically switch off.



Wet vacuuming (figure 10).

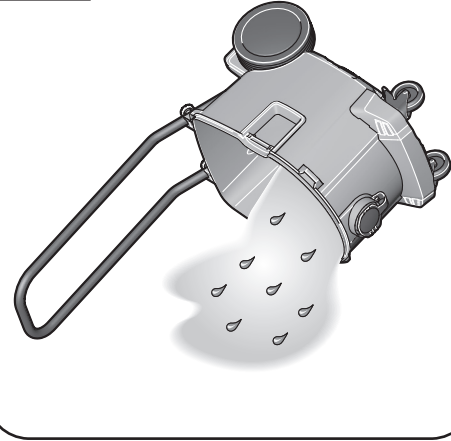
When wet vacuuming electrically-conductive liquids, the vacuum cleaner is automatically switched off after reaching the maximum filling height (automatic shut-off). Pull the mains plug from the socket outlet and empty the container.

When wet vacuuming electrically non-conductive liquids, the vacuum cleaner is **not automatically switched off** after reaching the maximum filling height. Empty the container in time.

When foam comes out of the vacuum cleaner, switch the vacuum cleaner off immediately and empty the container.

After completion of the wet vacuuming, clean the sensors and their intermediate area using a brush (see figure 16).

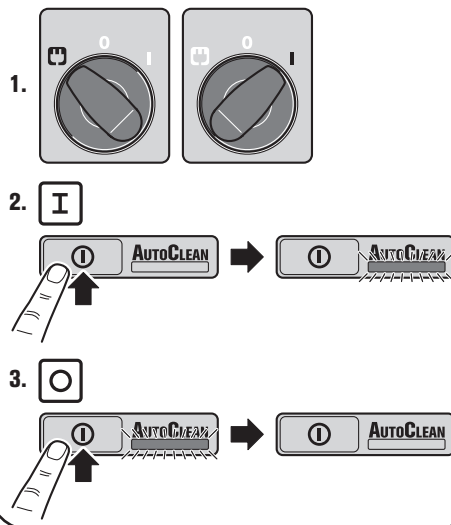
Fig. 10

**Automatic filter cleaning (figure 11).**

The AC function “(automatic filter cleaning)” is factory set, meaning, the flat-fold filter is automatically cleaned every 15 seconds through several air blasts.

When vacuuming wet debris or when primarily vacuuming water, we recommend switching off the AC function “(automatic filter cleaning)”.

Fig. 11

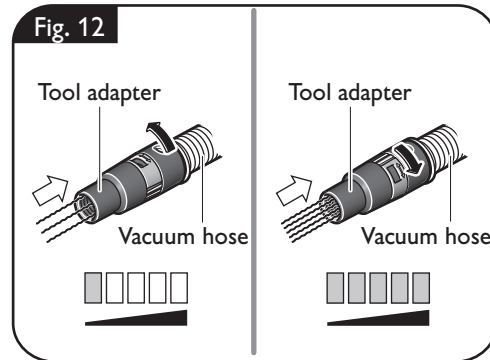


Regulating the air flow via the vacuum hose (figure 12).

The air flow can be variably increased or decreased.

To increase the air flow, turn the air-volume regulator counterclockwise.

To decrease the air flow, turn the air-volume regulator clockwise.

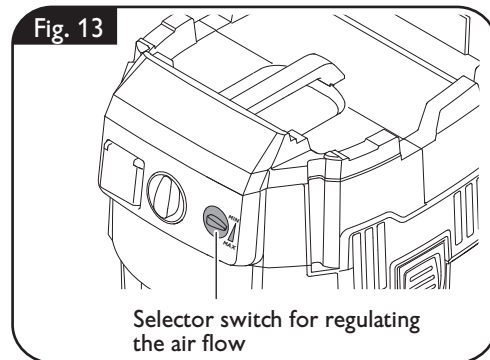


Regulating the air flow via the vacuum cleaner (figure 13).

The air flow can be variably increased or decreased.

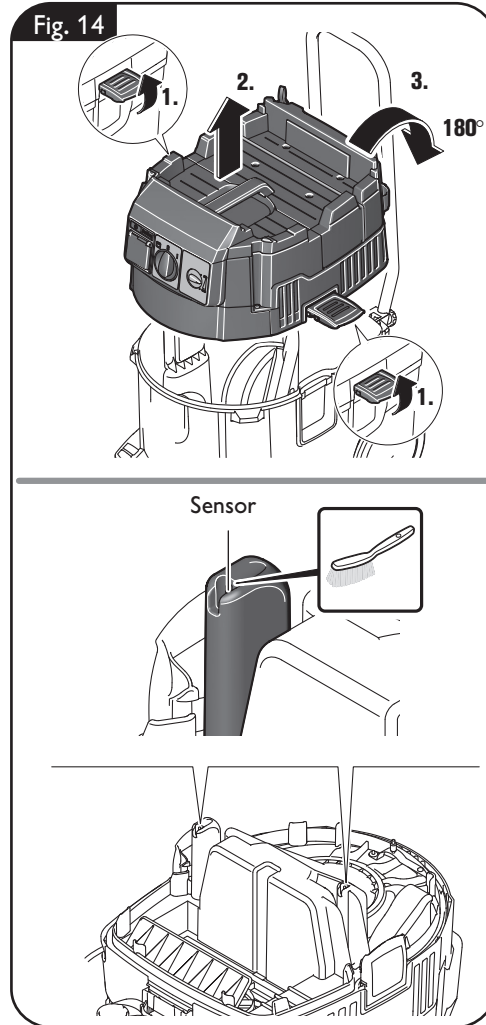
To increase the air flow, turn the selector switch downward.

To decrease the air flow, turn the selector switch upward.



Cleaning the sensors (figure 14).

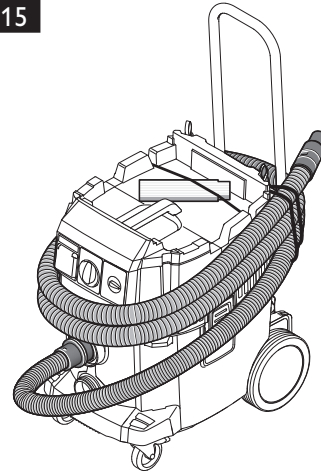
After completion of the wet vacuuming, clean the sensors and their intermediate area using a brush.



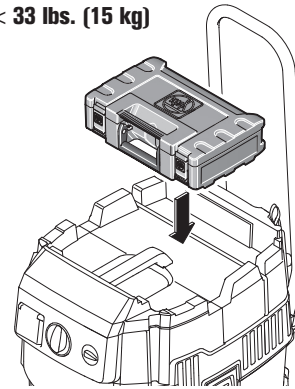
Storage and transport (figure 15).

Store the vacuum cleaner as indicated in a dry location.
The vacuum cleaner lid will accommodate a tool box.

Fig. 15



m < 33 lbs. (15 kg)

**Further notes.**

When the exhaust air is circulated, an adequate ventilation rate L must be given. The recirculated flow rate must not exceed 50 % (max.) of the fresh air volume (volume of space x ventilation rate L_w). Without special ventilation measures, the following applies: $L_w = 1 \text{ h}^{-1}$.

In case of a short-circuit and/or heavy discharge of dust, switch the vacuum cleaner off immediately and disconnect it from the power supply.



Do not use the vacuum cleaner as a step or stepladder. If the vacuum cleaner tips over, you could injure yourself or damage the vacuum cleaner.

Repair and customer service.

⚠ WARNING Before mounting or replacing accessories, pull the mains plug. This preventive safety measure rules out the danger of injuries through accidental starting of the vacuum cleaner.

Exchangeable parts

If required, you can change the following parts yourself:

Fleece filter bag, disposal bag, flat-fold filter, hose, tool adapter, elbow, vacuum tubes, crevice nozzle, floor nozzle, bristle lips, rubber lips, step adapter, vacuum brushes

Service.

⚠ WARNING Have maintenance carried out only through qualified personnel. Incorrectly mounted leads and components can cause serious injuries. Have the required service carried out only through a FEIN customer service agent.

The current spare parts list can be found on the Internet under www.fein.com.

Transport



The vacuum cleaner is not suitable for handling by crane. Do not hang the vacuum cleaner to a crane hook. Otherwise, you could injure yourself or damage the vacuum cleaner.

Lock the lockable casters when transporting the vacuum cleaner in vehicles.

Carry the vacuum cleaner only by the handle, not by the push bar.

Maintenance and cleaning.

Prior to any maintenance and cleaning, disconnect the vacuum cleaner from the power source (pull mains plug).



Check the connections, seals and hoses. Have damages repaired only through a qualified repair person and only using original FEIN replacement parts.

To clean the vacuum cleaner, use commercially available, non-scouring cleaning agents and water. After cleaning, allow the vacuum cleaner to dry completely.



Empty the container each time after using and remove coarse debris and dust.

Empty the container after vacuuming liquids. Afterwards, run the vacuum cleaner with the accessories connected for several minutes in order to dry them.

Dispose of used flat-fold filters and filter bags according to statutory provisions.

When replacing the vacuum cleaner's cable is required, have this carried out by FEIN or by an authorized customer service agent for FEIN power tools, in order to avoid hazardous situations.

Have a dust-technical inspection carried out at least once every year by the manufacturer or an instructed person, e.g. for damage of the filter, function and tightness against leakage of the vacuum cleaner as well as function of the control device.

For vacuum cleaners that were in contaminated environments, the exterior as well as all machine parts should be cleaned or treated with sealants. When performing maintenance and repair work, all contaminated components that cannot be cleaned to satisfactory must be disposed of. Such components must be disposed of in impermeable plastic bags conforming with the valid regulations for the disposal of such waste.

For maintenance on behalf of the user, the vacuum cleaner must be disassembled, cleaned and maintained as far as feasible, without causing a risk for the maintenance personnel or other persons. Prior to disassembly, the vacuum cleaner should be cleaned in order to prevent any risks.

The room/enclosure in which the vacuum cleaner is disassembled should be well ventilated. Wear personal protective equipment during maintenance. After the maintenance, the maintenance area should be cleaned.

Troubleshooting.

Malfunction	Possible Cause	Corrective Action
Vacuum cleaner cannot be switched on.	Circuit breaker of power supply has tripped.	Ensure power supply.
	Vacuum cleaner in remote control operation.	Set operating-mode selector to "I".
Reduced vacuuming capacity.	Vacuum cleaner not fitted correctly.	Mount lid properly and shut both fasteners completely.
	Vacuum system clogged.	Clean vacuum hose and extension tubes.
	Filter full.	Replace filter.
	Disposal bag full.	Replace disposal bag.
Dust escapes during vacuuming.	Incorrect mounting position of filter.	Correct mounting position of filter.
No suction capacity when wet vacuuming.	Container full.	Empty container.
The automatic shut-off (while wet vacuuming) does not respond.	Sensors contaminated/dirty.	Clean sensors and their intermediate space using a brush.
	Container full.	For electrically non-conductive liquids, check filling level and empty container, as required.
Automatic filter cleaning (AC) inoperative.	Vacuum hose not connected.	Connect vacuum hose.
The automatic filter cleaning (AC) cannot be switched on/off.		Contact the FEIN Customer Service.

Warranty and liability.

The warranty for the product is valid in accordance with the legal regulations in the country where it is marketed. In addition, FEIN also provides a guarantee in accordance with the FEIN manufacturer's warranty declaration.

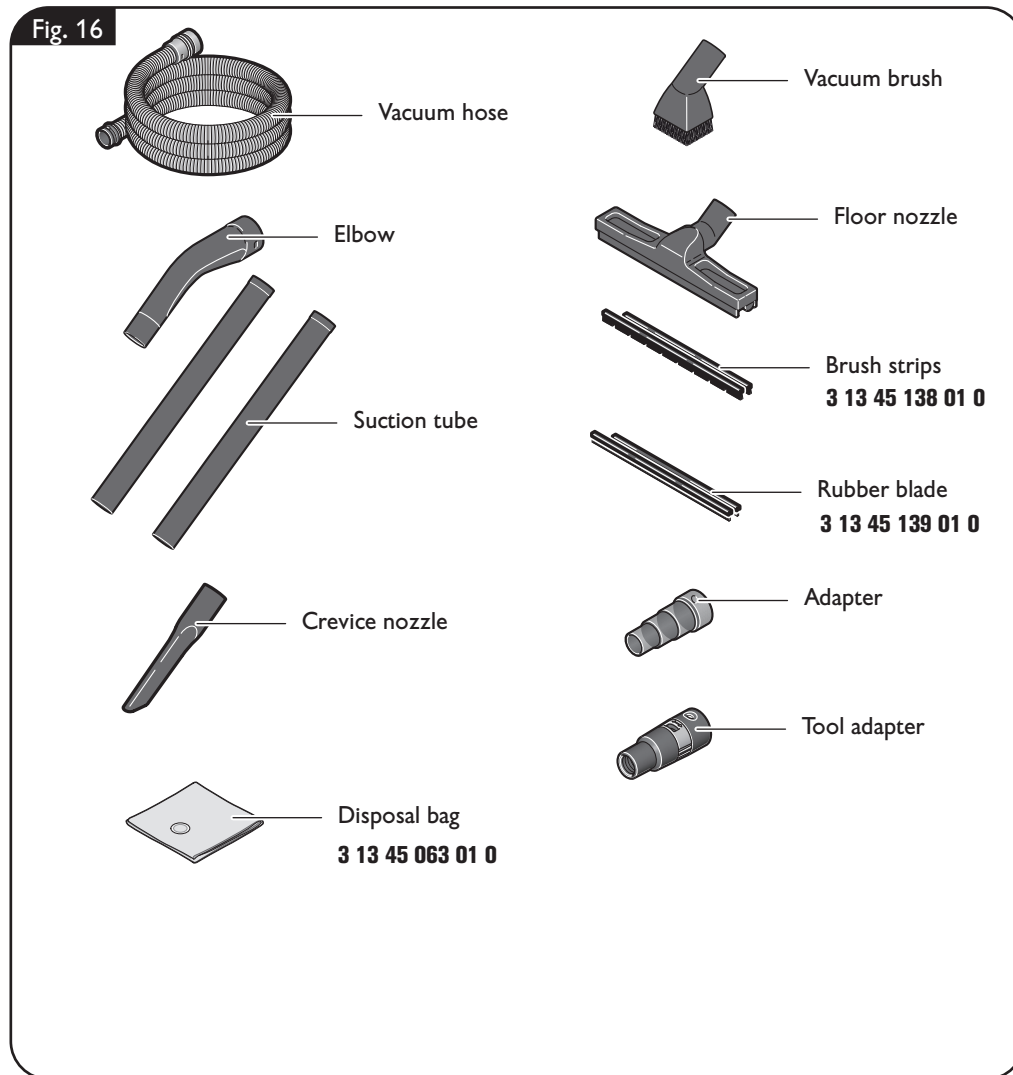
Not all accessories described or shown in this instruction manual will be included with your power tool.

Environmental protection, disposal.

Packaging, worn out power tools and accessories should be sorted for environmental-friendly recycling.

For further information, please contact your specialist shop.

Provided accessories (Fig. 16).



RÈGLES IMPORTANTES.

OBSERVEZ LES POINTS SUIVANTS AVANT LA MISE EN SERVICE DE L'ASPIRATEUR.

En cas de dommages dus au transport, veuillez en informer immédiatement votre revendeur.

Sortir tous les accessoires du carton.

L'aspirateur ne convient pas pour aspirer des poussières nocives comme p. ex. l'amiante. Pour de telles applications, veuillez vous adresser à votre représentation FEIN ou à votre revendeur FEIN.

Ne brancher l'aspirateur qu'à une prise de courant de sécurité conforme. Fusible nécessaire, voir les caractéristiques techniques.

Ne brancher l'aspirateur qu'à une prise de courant correctement reliée à la terre – voir les instructions de liaison à la terre.

Lors de l'utilisation d'un appareil électrique, prendre certaines précautions de base, dont la suivante : Cet aspirateur est conçu pour l'usage professionnel.

DÉBRANCHER L'ASPIRATEUR avant d'enlever le couvercle, d'effectuer tout entretien et lorsqu'il n'est pas utilisé.

NE PAS LAISSER L'APPAREIL SANS SURVEILLANCE tant qu'il est branché.

EN CAS DE NON-UTILISATION ET AVANT DES TRAVAUX D'ENTRETIEN, RETIRER LA FICHE DE LA PRISE DE COURANT.

S'ASSURER avant chaque usage **QUE LE CORDON D'ALIMENTATION** ne présente pas de signes d'usure ou d'endommagement.

NE PAS TRANSPORTER L'ASPIRATEUR OU LE TIRER PAR LE CORDON. Ne pas fermer de portes sur le cordon ou faire passer celui-ci sur des bords tranchants.

ÉLOIGNER LE CORDON DE TOUTE SOURCE DE CHALEUR OU D'HUILE. Ne pas laisser le cordon traîner par terre après la fin du travail. Il pourrait provoquer une chute.

NE PAS PASSER L'ASPIRATEUR SUR LE CORDON.

METTRE L'INTERRUPTEUR SUR avant de débrancher l'appareil.

NE PAS TIRER SUR LE CORDON POUR DÉBRANCHER l'appareil. Tirer sur la prise.

NE PAS TOUCHER LA FICHE OU L'APPAREIL AVEC DES MAINS MOUILLÉES.

SI LE CORDON OU LA PRISE ÉTAIENT ABÎMÉ, le les faire remplacer que par un centre de service agréé. **NE PAS TENTER UNE RÉPARATION SOI-MÊME.**

POUR ÉVITER TOUT CHOC ÉLECTRIQUE, ne pas laisser l'appareil exposé à la pluie. Le ranger à l'intérieur.

ÉLOIGNER CHEVEUX, VÊTEMENTS, BIJOUX FLOTTANTS, DOIGTS et toute partie du corps des ouvertures de l'appareil et des pièces mobiles.

ÉLOIGNER CHEVEUX, VÊTEMENTS, BIJOUX FLOTTANTS, DOIGTS et toute partie du corps des ouvertures de l'appareil et des pièces mobiles.

NE PAS FERMER OU OBTURER LES OUVERTURES. Éliminer duvets, cheveux, poussières et tout ce qui pourrait gêner le passage de l'air.

NE PAS ASPIRER DE MATIÈRE EN COMBUSTION ou dégageant de la fumée tels qu'allumettes, cigarettes ou cendres chaudes.

NE PAS ASPIRER DE MATÉRIAUX COMBUSTIBLES EXPLOSIFS, tels que charbon, céréales ou tout autre poussière inflammable.

NE PAS ASPIRER DE MATÉRIAUX COMBUSTIBLES, dangereux, toxiques ou cancérigènes comme l'essence, le gasoil, l'acétone, les diluants à peinture, le fuel domestique, les acides et les solvants non dilués, les pesticides et l'amiante.

UTILISER LES FILTRES RECOMMANDÉS pour aspirer le matériel de construction à sec.

NE PAS UTILISER L'ASPIRATEUR SANS FILTRE et/ou sac de collecte correctement monté.

NE BRANCHER L'ASPIRATEUR QUE SUR UNE PRISE PROPREMENT RELIÉE À LA TERRE. Voir les consignes de raccordement à la terre.

IL EST INTERDIT D'UTILISER L'ASPIRATEUR COMME JOUET. En tenir les enfants éloignés.

NE PAS LAISSER L'ASPIRATEUR SANS SURVEILLANCE pendant le fonctionnement.

NE PAS L'UTILISER SI LE CORDON, LA PRISE, LE FILTRE OU L'ASPIRATEUR SONT EN MAUVAIS ÉTAT. À la suite d'une chute, d'un endommagement, d'une exposition aux intempéries ou une immersion accidentelle dans de l'eau, le faire examiner par un centre de service.

TOUJOURS PORTER UNE PROTECTION OCULAIRE lors de l'utilisation de l'aspirateur.

REDOUBLER DE PRUDENCE pour l'utilisation dans un escalier.

RESTER VIGILANT ! Ne pas utiliser l'aspirateur si l'on est sous l'emprise de fatigue, de drogue, d'alcool ou de médicaments.

CONSERVER CES INSTRUCTIONS.

CET ASPIRATEUR EST CONÇU POUR UN USAGE PROFESSIONNEL.

CONSIGNES DE SÉCURITÉ INSTRUCTIONS DE MISE À LA TERRE

Cet appareil doit être relié à la terre. En cas de mauvais fonctionnement ou de panne, la mise à la terre fournit au courant électrique un chemin de faible résistance et réduit le risque de choc électrique.

Cet appareil est muni d'un cordon équipé d'un fil de terre et d'une fiche de terre.

Cette fiche doit être branchée sur une prise appropriée correctement installée et reliée à la terre dans le respect des lois et directives en vigueur.

AVERTISSEMENT :

Un raccordement incorrect du fil de terre risque de provoquer un choc électrique.

En cas de doute faire vérifier par un électricien si la prise est correctement reliée à la terre.

Ne pas modifier la fiche de l'appareil.

Si celle-ci ne correspond pas à la prise, faire plutôt installer une prise correcte par un électricien qualifié.

Cet appareil s'utilise sur un circuit en 120 volts nominaux ; il est muni d'une fiche de terre (Fig. A).

Un adaptateur temporaire (Fig. B) peut être utilisé pour brancher l'aspirateur à une prise à deux pôles (Fig. B) si aucune prise correctement reliée à la terre n'est disponible.

L'adaptateur ne doit être utilisé que temporairement en attendant qu'une prise reliée correctement à la terre (Fig. A) puisse être installée par un électricien qualifié.

La languette ou connecteur (ou similaire) rigide de couleur verte dépassant de l'adaptateur doit être toujours connecté sur le sol, par exemple à un couvercle de boîtier de prise relié correctement à la terre.

Si l'adaptateur est utilisé, il doit être fixé par une vis en métal.

S'ASSURER DANS TOUS LES CAS QUE LA PRISE EN QUESTION EST DÛMENT MISE À LA TERRE.

NE JAMAIS RETIRER LA BROCHE DE TERRE DE LA FICHE.

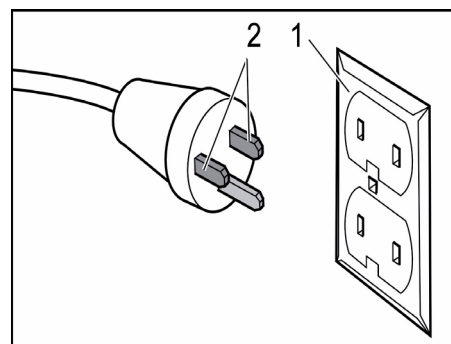
RALLONGES

Utiliser uniquement des rallonge trifilaires avec prise de contact de mise à la terre (3 contacts) et une prise tripolaire adaptée à la fiche de l'appareil. Immédiatement remplacer la rallonge endommagée ou usée.

Afin de réduire le risque d'un choc électrique, n'utiliser l'appareil qu'avec une rallonge homologuée pour les applications extérieures (par ex. SJW, SJTW ou SJOW). S'assurer que la rallonge est en parfait état et bien conçue pour votre appareil.

NE PAS ESSAYER DE RÉPARER SOI-MÊME.

Figure A

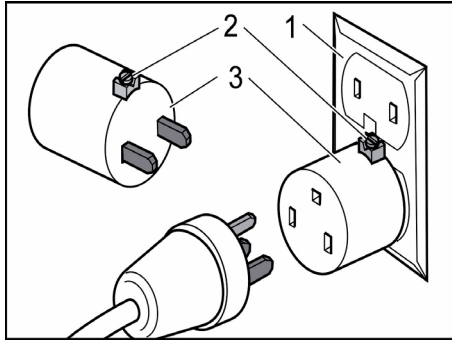


1 Prise de courant reliée à la terre

2 Broches conductrices

La broche de terre est la plus longue des 3 broches

Fig. B



- 1 Prise de courant reliée à la terre
- 2 Contact de mise à la terre
- 3 Adaptateur


Instruction : Au Canada, les normes électriques canadiennes (Canadian Electrical Code) interdisent l'usage de l'adaptateur temporaire.

Pour votre sécurité.

⚠ AVERTISSEMENT Lire tous les avertissements de sécurité et

toutes les instructions. Ne pas suivre les avertissements et instructions peut provoquer un choc électrique, un incendie et / ou une grave blessure.

Conserver tous les avertissements et toutes les instructions pour pouvoir s'y reporter ultérieurement.

 Ne pas utiliser cet aspirateur avant d'avoir soigneusement lu et complètement compris cette notice d'utilisation y compris les figures, les spécifications, les règles de sécurité ainsi que les indications marquées par DANGER, AVERTISSEMENT et ATTENTION.

N'utiliser cet aspirateur que pour les travaux pour lesquels il a été conçu par FEIN. N'utiliser que des outils de travail et accessoires autorisés par FEIN.

De même, respecter les dispositions concernant la prévention des accidents du travail en vigueur dans le pays en question.

Le non-respect des instructions de sécurité se trouvant dans la documentation mentionnée peut entraîner un choc électrique, un incendie et/ou de graves blessures.

Bien garder cette notice d'utilisation en vue d'une utilisation ultérieure ; elle doit être jointe à l'appareil en cas de transmission ou de vente à une tierce personne.

GARDER SOIGNEUSEMENT CES INSTRUCTIONS DE SECURITE.

Instructions générales de sécurité.

1) Portée

a) Maintenir l'endroit de travail propre et bien rangé. Un lieu de travail en désordre ou mal éclairé augmente le risque d'accidents.

b) Ne pas faire fonctionner l'appareil en atmosphère explosive, par exemple en présence de liquides inflammables, de gaz ou de poussières. Les outils électriques produisent des étincelles qui peuvent enflammer les poussières ou les fumées.

c) Tenir les enfants et autres personnes éloignés durant l'utilisation de l'aspirateur. Un moment d'inattention peut vous faire perdre le contrôle de l'outil.

2) Sécurité électrique

a) Les fiches de l'appareil doivent être adaptées au socle. Ne jamais modifier la fiche de quelque façon que ce soit. Ne pas utiliser d'adaptateurs avec des appareils à branchement de terre. Des fiches d'origine non modifiées et des prises électriques adaptées réduisent le risque de choc électrique.

b) Éviter tout contact du corps avec des surfaces reliées à la terre telles que tuyaux, radiateurs, cuisinières et réfrigérateurs. Il existe un risque accru d'électrocution si votre corps est relié à la terre.

- c) Ne pas exposer l'outil à la pluie ou à l'humidité.** La pénétration d'eau dans un outil électroportatif augmente le risque d'un choc électrique.
- d) Ne pas utiliser le cordon à d'autres fins que celles prévues, ne pas utiliser le câble pour porter l'appareil ou pour l'accrocher ou encore pour le débrancher de la prise de courant. Éloigner le cordon de toute source de chaleur, d'huile, d'arêtes vives ou de parties en mouvement.** Les cordons endommagés ou emmêlés augmentent le risque d'électrocution.
- e) Pour toute utilisation de l'aspirateur à l'extérieur, utiliser une rallonge agréée pour usage à l'extérieur.** L'utilisation d'un cordon adapté à un usage à l'extérieur réduit le risque de choc électrique.
- f) Si l'usage d'un aspirateur dans un emplacement humide est inévitable, utiliser une alimentation protégée par un dispositif à courant différentiel réduit (RCD).** L'usage d'un RCD réduit le risque de choc électrique.
- 3) Sécurité des personnes**
- a) Rester vigilant, faire bien attention à ce que vous faites. Faire preuve de raison en utilisant l'aspirateur. Ne pas utiliser l'appareil sous l'emprise de fatigue, de drogues, d'alcool ou de médicaments.** Un moment d'inattention pendant l'utilisation de l'appareil peut conduire à de graves blessures.
- b) Éviter tout démarrage intempestif. S'assurer que l'interrupteur est effectivement en position « ARRÊT » avant d'enfoncer la fiche dans la prise de courant.** Porter les appareils en ayant un doigt sur l'interrupteur ou brancher des appareils dont l'interrupteur est en position marche est source d'accidents.
- c) Ne pas surestimer ses capacités. Garder une position et un équilibre adaptés à tout moment.** Ceci permet de mieux contrôler l'appareil dans des situations inattendues.
- 4) Utilisation et emploi soigneux de l'aspirateur**
- a) Ne pas forcer sur l'appareil. Utiliser l'aspirateur adapté à votre application.** L'utilisation de l'aspirateur approprié améliore la qualité de travail et offre plus de sécurité à la vitesse pour laquelle l'appareil est prévu.
- b) Ne pas utiliser l'aspirateur si l'interrupteur est défectueux.** Un aspirateur qui ne se laisse pas allumer et éteindre est dangereux et doit être réparé.
- c) Débrancher la fiche de la source d'alimentation en courant avant tout réglage, changement d'accessoires ou avant de ranger l'appareil.** Cette mesure de précaution empêche une mise en service involontaire.
- d) Ranger les aspirateurs éteints hors de la portée des enfants. Ne pas autoriser l'utilisation de l'aspirateur par des personnes qui ne sont pas familiarisées avec l'outil et avec les présentes instructions.** Les aspirateurs sont dangereux entre les mains d'utilisateurs novices.
- e) Veiller à la maintenance de l'outil. S'assurer du bon fonctionnement des parties mobiles et vérifier si elles ne sont pas coincées, cassées ou endommagées de sorte à entraver le bon fonctionnement de l'appareil. En cas de dommages, faire réparer l'outil avant de l'utiliser.** De nombreux accidents sont dus à des aspirateurs mal entretenus.
- f) Utiliser les aspirateurs, les accessoires, les outils à monter etc. conformément à ces instructions et aux prescriptions en vigueur pour ce type d'appareil. Tenir compte des conditions de travail et de la tâche à réaliser.** L'utilisation de l'aspirateur pour des opérations différentes de celles prévues pourrait donner lieu à des situations dangereuses.
- 5) Service Après-Vente**
- a) Ne faire réparer l'aspirateur que par un personnel qualifié et uniquement avec des pièces de rechange d'origine.** Ceci permet d'assurer la sécurité de l'aspirateur.

Instructions particulières de sécurité.

Cet aspirateur doit être utilisé par des personnes (y compris enfants) disposant des capacités physiques, sensorielles ou mentales adaptées et de l'expérience et/ou des connaissances nécessaires.

Les enfants doivent être surveillés. Veiller à ce que les enfants ne jouent pas avec l'aspirateur.

⚠ AVERTISSEMENT Les personnes utilisant cet aspirateur doivent être suffisamment instruites. Avant l'utilisation de cet aspirateur, des informations, instructions et formations relatives à l'utilisation de l'aspirateur et des matériaux pour lesquels il doit être utilisé, y compris relatives à la procédure sûre d'élimination du matériau aspiré doit être disponible à la personne utilisant cet aspirateur. La personne utilisant cet aspirateur doit respecter les instructions de sécurité applicables aux matériaux à manipuler.

Porter un équipement de protection individuelle. En fonction de l'application, utiliser un écran facial, des lunettes de sécurité ou des verres de sécurité. Le cas échéant, utiliser un masque antipoussières, des protections auditives, des gants et un tablier capables de vous mettre à l'abri des petits fragments abrasifs ou des pièces à usiner. La protection oculaire doit être capable de vous mettre à l'abri des débris volants produits par les diverses opérations. Le masque antipoussières ou le masque respiratoire doit être capable de filtrer les particules produites par vos travaux. L'exposition prolongée aux bruits de forte intensité peut provoquer une perte de l'audition.

N'utiliser l'aspirateur qu'avec des prises de courant de sécurité conformes à la législation. N'utiliser que des câbles de raccordement en parfait état et des rallonges régulièrement contrôlées. Un conducteur de protection discontinu peut entraîner un choc électrique.

La tubulure de raccordement mise à la terre dissipe les charges électrostatiques. Ceci évite, avec les accessoires faisant office de dissipateurs électrostatiques (en option), la formation d'étincelles et les chocs électriques.

Lors de l'aspiration de liquides, n'utiliser l'aspirateur que lorsque le réservoir est en position horizontale. Sinon, il y a risque de choc électrique causé par l'eau qui pénètre dans le moteur de l'aspirateur.

Ne pas utiliser le câble d'alimentation pour tirer l'aspirateur ou pour retirer la fiche de la prise de courant. Maintenir le câble d'alimentation à l'écart de la chaleur, du lubrifiant, des arêtes ou des parties en mouvement. Ne pas écraser ou coincer le câble d'alimentation. Des câbles d'alimentations endommagés ou emmêlés augmentent le risque de choc électrique.

Retirer la fiche de la prise de courant avant de remplacer des accessoires. Cette mesure de sécurité réduit le risque de choc électrique.

Ne pas aspirer de matériaux nuisibles à la santé, p. ex. les poussières de hêtre ou de chêne, les poussières de pierre, l'amiante. Ces matériaux sont considérés cancérogènes.

Veiller à bien aérer la zone de travail.

Ne pas aspirer de liquides inflammables ou explosifs, par ex. essence, huile, alcool, solvant. Ne pas aspirer de poussières très chaudes ou inflammables. Ne pas utiliser l'aspirateur dans des locaux où il y a un risque d'explosion. Les poussières, vapeurs ou liquides risquent de s'enflammer ou d'exploser.

Il est interdit de visser ou de riveter des plaques ou de repères sur l'aspirateur. Une isolation endommagée n'offre aucune protection contre un choc électrique. Utiliser des autocollants.

Ne pas utiliser d'accessoires non conçus spécifiquement ou recommandés par FEIN pour cet aspirateur. Le simple fait que l'accessoire puisse être fixé à votre aspirateur ne garantit pas un fonctionnement en toute sécurité.

Avant la mise en service, s'assurer que le câble de raccordement et la fiche sont en parfait état.

⚠ AVERTISSEMENT N'utiliser la prise de l'aspirateur que pour raccorder un outil électrique externe. L'aspirateur est automatiquement mis en fonctionnement par l'intermédiaire de l'outil électrique. La puissance électrique de l'outil électrique (Fein) ne doit pas dépasser la puissance électrique maximale de la prise d'aspirateur P_A.

Respecter également la notice d'utilisation et les consignes de sécurité de l'outil électrique qui est branché sur la prise de l'aspirateur.

Recommandation : Faire toujours fonctionner l'aspirateur sur un réseau électrique équipé d'un dispositif à courant différentiel réduit (RCD) 30 mA max.

L'aspirateur ne doit être rangé qu'à l'intérieur.

La température ambiante admissible pour aspirer est de +14°F à +104°F (de -10 °C à +40 °C).

Toute utilisation de l'aspirateur par des températures basses est interdite. Par des températures basses, le câble de secteur peut être endommagé et la sécurité peut en être entravée.

Valeurs d'émission pour bruit et vibration

(Indication à deux chiffres conformément à CEI 60335-2-69)

Émission acoustique

Turbo II X AC HEPA

Mesure réelle (A) du niveau de pression acoustique sur le lieu de travail L_{pA} (re 20 μ Pa), en décibel

70

Incertitude K_{pA} , en décibel

2

REMARQUE : La somme de la valeur d'émission mesurée et de l'incertitude constitue la limite supérieure des valeurs qui peuvent apparaître pendant des mesurages.

 Porter une protection acoustique !

Valeurs de mesure mesurées conformément à la norme correspondante du produit.

Câble de rallonge.

⚠ AVERTISSEMENT Au cas où une rallonge serait nécessaire, la longueur ainsi que la section du conducteur de celle-ci doivent être appropriées à l'utilisation afin d'éviter une baisse de tension dans la rallonge, une perte de puissance et une surchauffe de l'aspirateur. Autrement la rallonge et l'aspirateur présenteront des risques de charge électriques et l'efficacité du travail en sera entravée.

Utilisation de l'aspirateur :

Aspirateur à eau et poussière conçu comme outillage pour l'aspiration de poussières non nuisibles à la santé et de petites particules d'encrassement, surtout lors de travaux, avec un outil électrique, qui génèrent de la poussière, et de liquides non inflammables dans un environnement à l'abri des intempéries avec utilisation des accessoires autorisés par FEIN. Cet aspirateur est approprié pour une utilisation professionnelle, par ex. dans les hôtels, écoles, hôpitaux, usines, magasins, bureaux et agences de location.



⚠ AVERTISSEMENT

L'aspirateur contient de la poussière nocive à la santé. Ne faire vider et entretenir, aussi bien qu'éliminer les bacs de récupération des poussières que par des spécialistes. Un équipement de protection approprié est nécessaire. Ne pas faire fonctionner l'aspirateur sans le système de filtre complet. Autrement il y a danger pour la santé.

Fonctionnement de l'outil électrique avec des générateurs de courant.








Cet aspirateur est également conçu pour fonctionner sur des groupes électrogènes d'une puissance suffisante correspondant à la norme ISO 8528, classe de modèle G2. Cette norme n'est pas respectée si le facteur de distorsion harmonique dépasse 10 %. En cas de doute, s'informer sur le groupe électrogène utilisé.

⚠ AVERTISSEMENT

Il est interdit de faire fonctionner l'aspirateur sur des groupes électrogènes dont la tension à vide dépasse la valeur de tension indiquée sur la plaque signalétique de l'outil électrique.

Symboles.

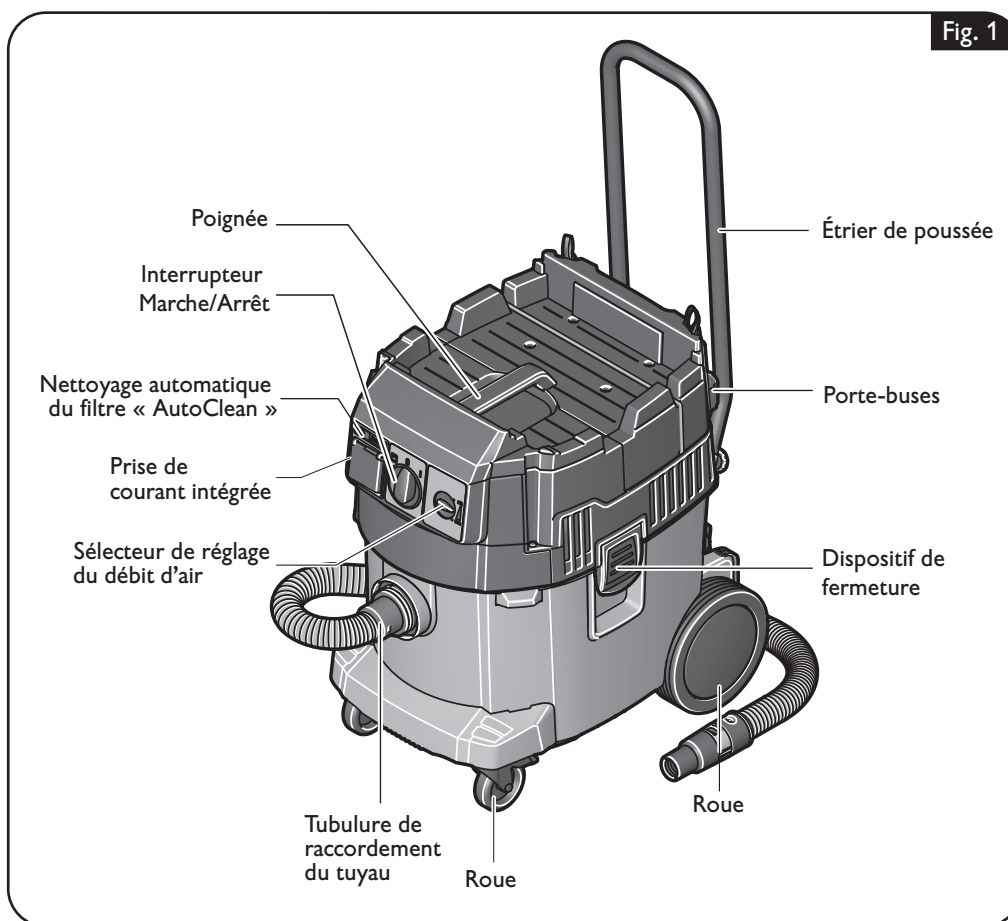
Symbole, signe	Explication
	Lire impérativement les documents ci-joints tels que la notice d'utilisation et les instructions générales de sécurité.
	Avant d'effectuer ce travail, retirer la fiche de la prise de courant. Sinon, il y a risque de blessures dû à un démarrage non intentionné de l'outil électrique.
	Suivre les indications données dans le texte ou la représentation graphique ci-contre !
	Suivre les indications données dans le texte ou la représentation graphique ci-contre !
	Lors des travaux, porter une protection oculaire.
	Lors des travaux, porter une protection acoustique.
	Ce symbole confirme la certification de ce produit aux Etats-Unis et au Canada.
	Signal général d'interdiction. Cette action est interdite !
	Cette indication met en garde contre une situation dangereuse imminente. Une mauvaise manipulation peut entraîner de graves blessures ou la mort.

Symbole, signe	Explication
 AVERTISSEMENT	Cette indication indique une situation éventuellement dangereuse pouvant entraîner de graves blessures ou la mort.
 ATTENTION	Cette indication met en garde contre une situation potentiellement dangereuse qui peut entraîner des blessures.
	Trier les outils électriques ainsi que tout autre produit électrotechnique et électrique et les déposer à un centre de recyclage respectant les directives relatives à la protection de l'environnement.
	Produit avec isolation de base et raccordement supplémentaire au conducteur de protection de tous les éléments conducteurs pouvant être touchés.
	Mise en fonctionnement
	Arrêt
~ ou a. c.	Courant alternatif
1 ~	Courant alternatif, monophasé
IPX4	Type de protection
	à capacité de décharge de charges électrostatiques
(**)	peut contenir des chiffres ou des lettres

Signe	Unité nationale	Explication
n_0	rpm ; /min ; min^{-1} ; r/min	Vitesse de référence
P	W	Unité de mesure pour la puissance électrique
P_{Max}	W	Puissance absorbée max.
	°	Unité de mesure pour la largeur d'angle
U	V	Unité de mesure pour la tension électrique
f	Hz	Unité de mesure pour la fréquence
I	A	Unité de mesure pour l'intensité du courant électrique
m	lbs	Unité de mesure pour la masse
l	ft, in	Unité de mesure pour longueur, largeur, hauteur, profondeur, diamètre ou filetage
\emptyset	ft, in	Diamètre d'un élément
	m, s, kg, A, mm, V, W, Hz, N, °C, dB, min, m/s^2	Unités de base et unités dérivées du système international SI .

Description technique et spécification.

⚠ AVERTISSEMENT Avant de commencer les travaux de montage ou avant de changer les accessoires, retirer la fiche de secteur. Cette mesure de sécurité préventive exclut un danger de blessure causé par un démarrage non intentionné de l'aspirateur. Il se peut que seule une partie des accessoires décrits ou représentés dans cette notice d'utilisation soit fournie avec l'aspirateur.



Type	Turbo II X AC HEPA
Référence	9 20 30 060 99 0
Courant absorbé	9 A
Puissance absorbée max. de la prise intégrée	6 A
Contenance du réservoir	9.3 gal 35 l
Quantité de remplissage du liquide	5.5 gal 21 l
Courant volumétrique avec tuyau 4 m	82.6 cfm 39 l/s
Courant volumétrique au ventilateur	152.6 cfm 72 l/s
Vide	235 hPa
Longueur x largeur x hauteur	540 mm x 355 mm x 590 mm
Poids suivant EPTA-Procédure 01	31.1 lbs (14.1 kg)
Classe de protection	⊕/I
Câble secteur	25 ft (7.5 m) SJOW 3/14 AWG



3 13 45 079 01 0



3 13 45 120 01 0



HEPA

3 13 45 274 01 0



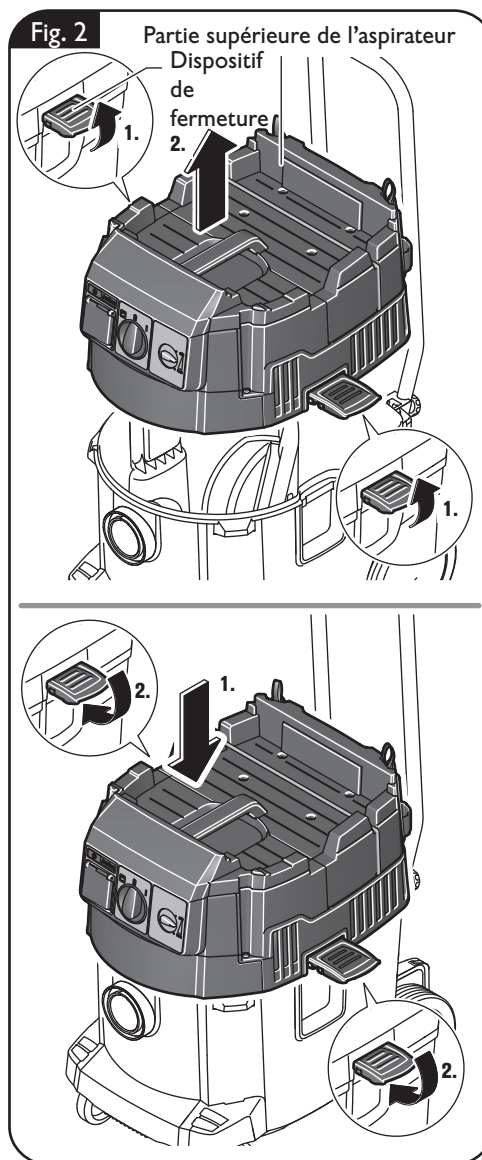
3 13 45 063 01 0

Indications de montage.

⚠ AVERTISSEMENT Avant de commencer les travaux de montage ou avant de changer les accessoires, retirer la fiche de secteur. Cette mesure de sécurité préventive exclut un danger de blessure causé par un démarrage non intentionné de l'aspirateur.

Retirer et monter la partie supérieure de l'aspirateur (figure 2).

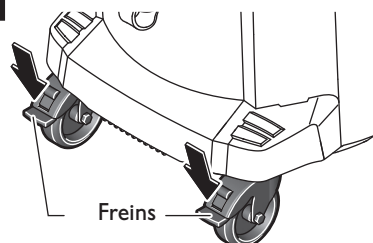
Ouvrir les fermetures des deux côtés et relever la partie supérieure de l'aspirateur. Mettre en place la partie supérieure de l'aspirateur et raccorder les fermetures.



Bloquer les freins (figure 3).

Pour bloquer les freins, pousser les étriers métalliques des roues de freinage vers le bas.

Fig. 3

**Montage du sac de collecte (figure 4).**

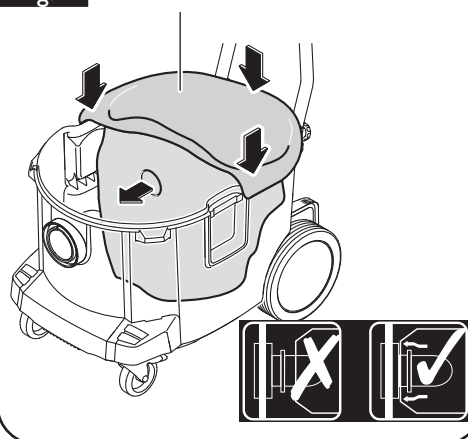
Ouvrir les fermetures des deux côtés et relever la partie supérieure de l'aspirateur. Pour aspirer de la poussière fine et en vue d'une élimination avec une génération minimale de poussières, utiliser en plus un sac de collecte ou un sac à filtre.

Lors du montage, enfile le sac de collecte par-dessus le bord du réservoir. Tirer entièrement l'orifice rond du sac de collecte entièrement par-dessus le bord de la tubulure d'aspiration.

Pour le retirer, replier le sac de collecte vers le haut et le tirer vers l'arrière par-dessus la tubulure d'aspiration. Fermer le sac de collecte à l'aide de la bande de fermeture. Après l'aspiration d'encrassements humides, toujours retirer le sac de collecte.

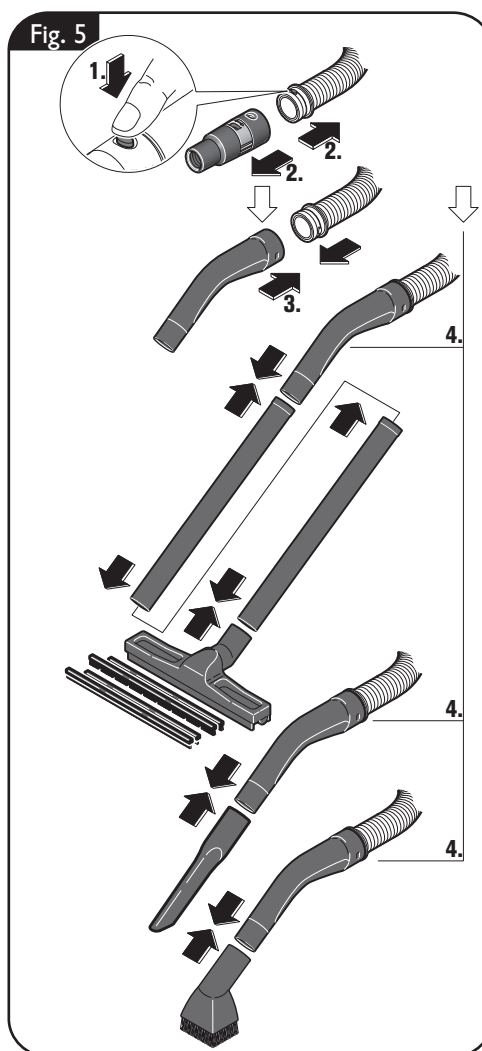
Fig. 4

Sac de collecte

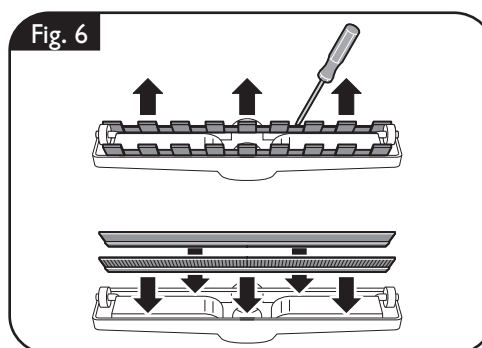


Accessoires (figure 5).

Monter les accessoires en appliquant une légère pression. Pour démonter les accessoires, les tourner légèrement l'un contre l'autre tout en tirant.

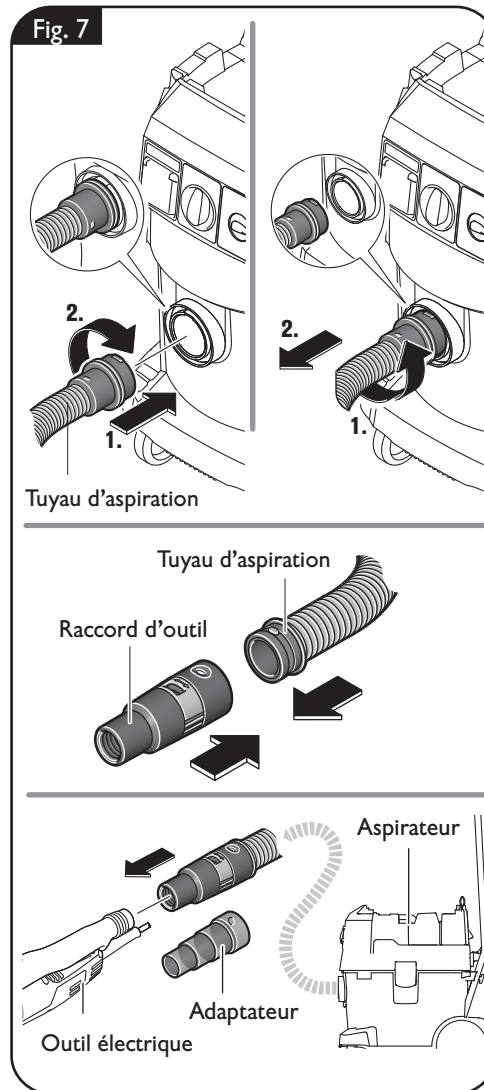
**Montage des bandes en caoutchouc (figure 6).**

Retirer les bandes à brosse et monter les bandes en caoutchouc. Le côté à relief doit être dirigé vers l'extérieur.



Raccordement du tuyau d'aspiration (figure 7).

Introduire jusqu'à la butée le tuyau d'aspiration dans la tubulure de raccordement. Bloquer la fermeture par une légère rotation. Connecter le raccord avec le tuyau d'aspiration et avec l'outil souhaité.



Montage et nettoyage du filtre plat à plis (figure 8).

Pour le changement du filtre, voir chapitre « Détection des pannes. »

Porter un équipement de protection personnel lors du changement de filtre (filtre respiratoire et gants de protection).

Ne changer le filtre que dans des locaux appropriés sans mettre en péril d'autres personnes.

Après avoir retiré le filtre contaminé, nettoyer le côté gaz purifié et les surfaces d'étanchéité à l'aide d'un détergent non abrasif disponible dans le commerce et de l'eau.

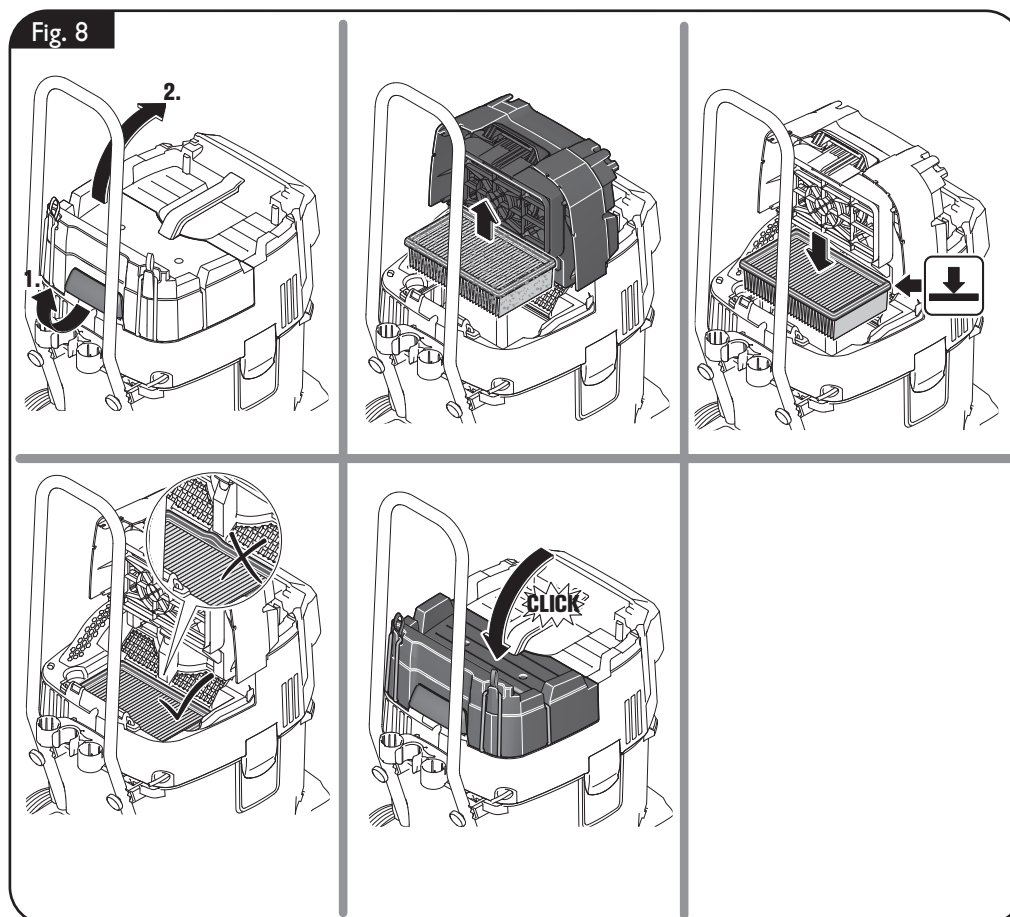
ATTENTION Ne jamais aspirer sans le filtre plat à plis car autrement le moteur risque d'être endommagé et l'émission accrue de poussières fines constitue un danger pour la santé.

⚠ Avant de commuter d'aspiration de liquides à aspiration à sec, laisser sécher le filtre plat à plis humide ou le remplacer par un filtre sec. Autrement, le filtre plat à plis sera inutilisable.

Maintenir sec le filtre plat à plis et le nettoyer régulièrement.

Les exigences de la directive EPA (RRP) ne sont considérées remplies que si le filtre HEPA est utilisé.

En outre, le filtre HEPA doit être en bon état et correctement monté.



Indications pour le travail.

⚠ AVERTISSEMENT Avant de commencer les travaux de montage ou avant de changer les accessoires, retirer la fiche de secteur. Cette mesure de sécurité préventive exclut un danger de blessure causé par un démarrage non intentionné de l'aspirateur.

Mise en fonctionnement/Arrêt (figure 9).

⚠ AVERTISSEMENT S'assurer que le câble de raccordement et la fiche sont en parfait état.

Mise en fonctionnement :

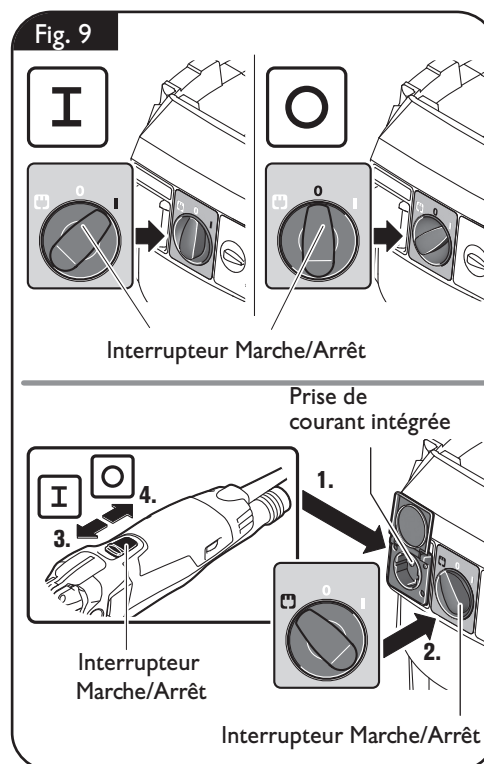
Mettre l'interrupteur Marche/Arrêt sur (I).

Arrêt :

Mettre l'interrupteur Marche/Arrêt sur (0).

Prise d'aspirateur

L'aspirateur se met automatiquement en marche dans cette position d'interrupteur **I** si l'outil électrique raccordé est mis en marche. Arrêter l'aspirateur avant de raccorder un outil électrique à la prise de l'aspirateur. N'enfoncer que des outils électriques mis hors fonction dans la prise de l'aspirateur. Une fois un outil électrique raccordé à la prise de l'aspirateur arrêté, l'aspirateur continue à fonctionner pendant 15 secondes environ, puis s'arrête automatiquement.



Aspiration de liquides (figure 10).

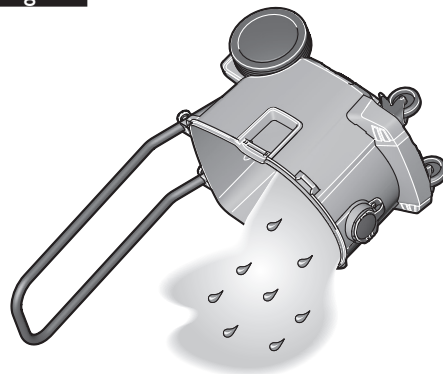
Lors de l'aspiration de liquides conducteurs d'électricité, l'aspirateur s'arrête automatiquement une fois que le niveau de remplissage maximum du réservoir est atteint (coupure automatique). Retirer la fiche de la prise de courant et vider le réservoir.

Lors de l'aspiration de liquides non-conducteurs, l'aspirateur **ne s'arrête pas automatiquement** une fois que le niveau de remplissage maximum du réservoir est atteint. Vider à temps le réservoir.

Dès que de la mousse sort, arrêter immédiatement l'aspirateur et vider le réservoir.

Une fois l'aspiration de liquides terminée, nettoyer les sondes et leurs interstices à l'aide d'une brosse. (figure 16)

Fig. 10

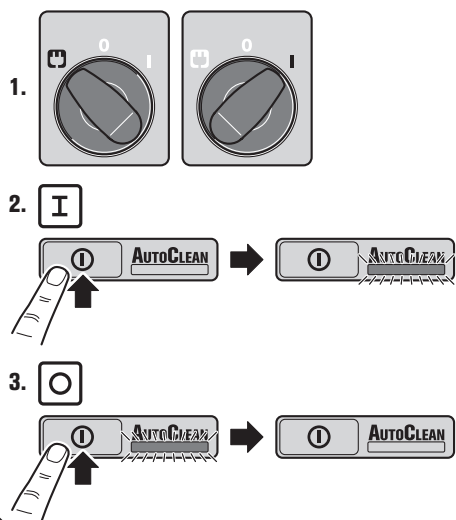


Nettoyage automatique du filtre (figure 11).

La fonction AC « nettoyage automatique du filtre » est activée par défaut, c-à-d. le filtre plat à plis est nettoyé automatiquement toutes les 15 secondes par plusieurs pulsions d'air.

Lors de l'aspiration de saletés humides ou lorsque surtout de l'eau est aspiré, il est recommandé de désactiver la fonction AC « nettoyage automatique du filtre ».

Fig. 11

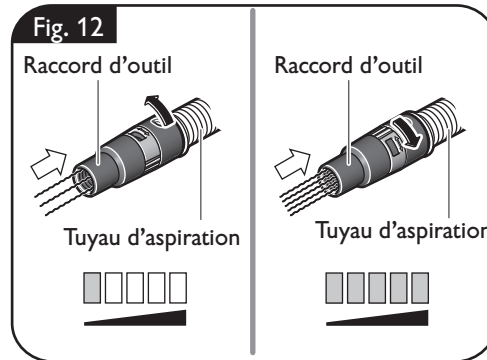


Régulation du débit d'air sur le tuyau d'aspiration (figure 12).

Le débit d'air peut être augmenté ou diminué en continu.

Tourner le régulateur de débit d'air vers la gauche pour augmenter le débit d'air.

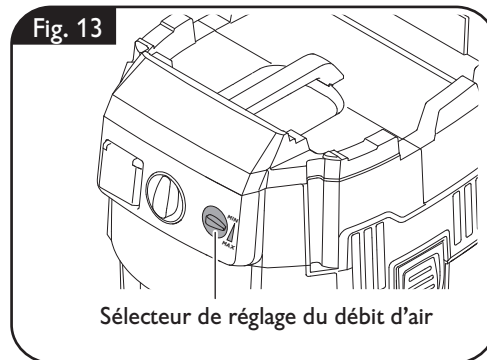
Tourner le régulateur de débit d'air vers la droite pour diminuer le débit d'air.

**Régulation du débit d'air sur l'aspirateur (figure 13).**

Le débit d'air peut être augmenté ou diminué en continu.

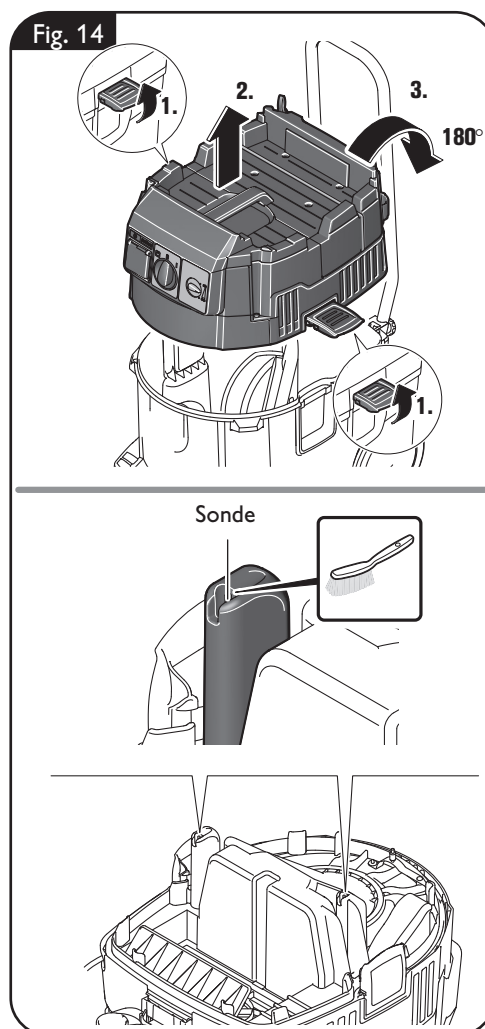
Tourner le régulateur de débit vers le bas pour augmenter le débit d'air.

Tourner le régulateur de débit vers le haut pour diminuer le débit d'air.



Nettoyage des sondes (figure 14).

Une fois l'aspiration de liquides terminée, nettoyez les sondes et leurs interstices à l'aide d'une brosse.

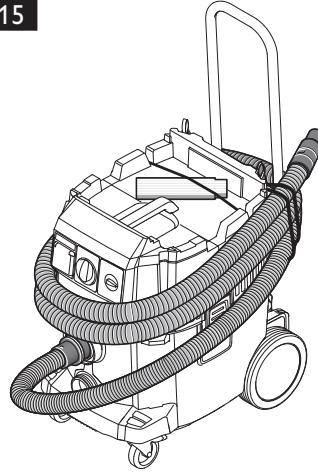


Transport et stockage (figure 15).

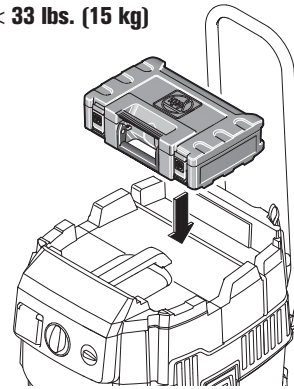
Ranger l'aspirateur conformément à l'illustration à un endroit sec.

On peut placer une caisse d'outil sur la partie supérieure de l'aspirateur.

Fig. 15



m < 33 lbs. (15 kg)

**Renseignements supplémentaires.**

Si de l'air vicié remontait dans la pièce, s'assurer que le taux de renouvellement d'air L dans la pièce est suffisant. Le débit volumétrique remontant ne doit pas dépasser 50 % du volume d'air frais (volume spatial x taux de renouvellement d'air L_w). Sans mesure de ventilation particulière ce qui suit sert de règle : $L_w = 1 \text{ h}^{-1}$.

En cas de court-circuit et/ou d'un fort échappement de poussière, arrêter immédiatement l'aspirateur et le déconnecter du réseau.



Ne jamais utiliser l'aspirateur en tant qu'échelle ou marche. Le basculement de l'aspirateur pourrait l'endommager ou provoquer des blessures.

Travaux d'entretien et service après-vente.

⚠ AVERTISSEMENT Avant de commencer les travaux de montage ou avant de changer les accessoires, retirer la fiche de secteur. Cette mesure de sécurité préventive exclut un danger de blessure causé par un démarrage non intentionné de l'aspirateur.

Pièces remplaçables.

Si nécessaire, on peut remplacer soi-même les éléments suivants :

Sac à filtre, sac de collecte, filtre plat à plis, flexible, raccord d'outil, raccord soudé, tuyaux d'aspiration, buse suceur, buse de sol, embout brosse, bandes en caoutchouc, manchon adaptateur, suceur-pinceau

Service après-vente.

⚠ AVERTISSEMENT Ne faire effectuer les travaux d'entretien que par des personnes qualifiées. Les câbles et éléments mal montés peuvent présenter des risques graves. Ne faire effectuer le service d'entretien nécessaire que par une station de service après-vente FEIN.

Vous trouverez la liste actuelle des pièces de rechange de l'aspirateur sur le site Internet www.fein.com.

Transport



L'aspirateur ne peut pas être manipulé par une grue. Ne pas accrocher l'aspirateur sur un crochet de grue. Ceci pourrait provoquer des blessures ou endommager l'aspirateur.

Bloquer les roues pivotantes blocables lors du transport de l'aspirateur dans des véhicules. Porter l'aspirateur par la poignée, ne pas le porter par l'étrier de poussée.

Entretien et nettoyage.

Avant d'effectuer des travaux d'entretien et de nettoyage, déconnecter l'aspirateur de la source d'énergie (retirer la fiche de secteur).

ⓘ Contrôler les flexibles, joints d'étanchéité et raccords. Ne faire réparer des dommages que par un personnel qualifié et seulement avec des pièces de rechange d'origine FEIN.

Pour nettoyer l'aspirateur, n'utiliser que de l'eau et des détergents non abrasifs disponibles dans le commerce. Laisser entièrement sécher l'aspirateur après l'avoir nettoyé.

ⓘ Vider le réservoir après chaque utilisation et enlever les grosses saletés ainsi que la poussière.

Vider le réservoir après avoir aspiré des liquides. Laisser ensuite l'aspirateur fonctionner pendant quelques minutes, les accessoires branchés, pour les sécher.

Éliminez les filtres plats à plis et les sacs à poussières utilisés conformément aux dispositions légales.

S'il est nécessaire de remplacer la fiche de raccordement, ne faire effectuer le remplacement que par FEIN ou une station de service après-vente agréée pour outillage FEIN afin d'éviter des risques pour la sécurité.

Laissez effectuer un contrôle conformément aux prescriptions relatives à l'aspiration de poussières, durant lequel sont contrôlés p. ex. un endommagement éventuel du filtre, l'étanchéité et le fonctionnement correct de l'aspirateur ainsi que le fonctionnement du dispositif de contrôle, au moins une fois par an par le fabricant de l'appareil ou par une personne initiée dans ce domaine.

Il est recommandé de nettoyer les parties extérieures des aspirateurs qui se trouvaient dans un environnement sale ainsi que toutes les parties de la machine, ou de les traiter au moyen d'agents d'étanchéité. Lors des travaux d'entretien ou de réparation, toutes les parties encrassées qui ne peuvent pas être nettoyées de manière satisfaisante doivent être éliminées. Ces pièces doivent être mises dans des sacs étanches conformément aux prescriptions en vigueur relatives à l'élimination des déchets de cette sorte.

Pour les travaux d'entretien effectués par l'utilisateur, l'aspirateur doit être démonté, nettoyé et entretenu dans la mesure du possible, sans que cela ne présente un danger pour le personnel chargé des travaux d'entretien et de maintenance ou pour tout autre personne. Avant de procéder au démontage, il est recommandé de nettoyer l'appareil afin de prévenir des dangers éventuels.

Veiller à une bonne aération de la pièce dans laquelle l'aspirateur sera démonté. Pendant les travaux d'entretien, porter un équipement personnel de protection. Une fois les travaux d'entretien terminés, il est recommandé de nettoyer l'endroit de travail.

Détection des pannes.

Perturbation	Cause	Réparation des pannes
L'aspirateur ne peut pas être mis en marche.	Le fusible du branchement domestique a déclenché.	Assurer l'alimentation en courant électrique.
	Aspirateur en mode automatique.	Mettre le commutateur du mode de service sur « I. »
La puissance d'aspiration est réduite.	L'aspirateur n'est pas correctement monté.	Monter la partie supérieure de l'aspirateur correctement et fermer complètement les deux fermetures.
	Le système d'aspiration est obturé.	Nettoyer le tuyau et les tubes d'aspiration.
	Le filtre est plein.	Remplacer le filtre.
	Le sac de collecte est plein.	Remplacer le sac de collecte.
De la poussière s'échappe lors de l'aspiration.	Fausse position du filtre.	Corriger la position du filtre.
Aucune puissance d'aspiration lors de l'aspiration de liquides.	Le réservoir est plein.	Vider le réservoir.
La coupure automatique (aspiration de liquides) ne déclenche pas.	Les sondes sont obturées.	Nettoyer les sondes et leurs interstices à l'aide d'une brosse.
	Le réservoir est plein.	Pour les liquides non conducteurs, contrôler le niveau de remplissage et, le cas échéant, vider le réservoir.
Le nettoyage automatique du filtre (AC) ne fonctionne pas.	Le tuyau d'aspiration n'est pas raccordé.	Raccorder le tuyau d'aspiration.
Le nettoyage automatique du filtre (AC) ne se laisse pas mettre en marche / éteindre.		Contactez le Service Après-Vente Fein.

Garantie.

La garantie du produit est valide conformément à la réglementation légale en vigueur dans le pays où le produit est mis sur le marché. Outre les obligations de garantie légale, les appareils FEIN sont garantis conformément à notre déclaration de garantie de fabricant.

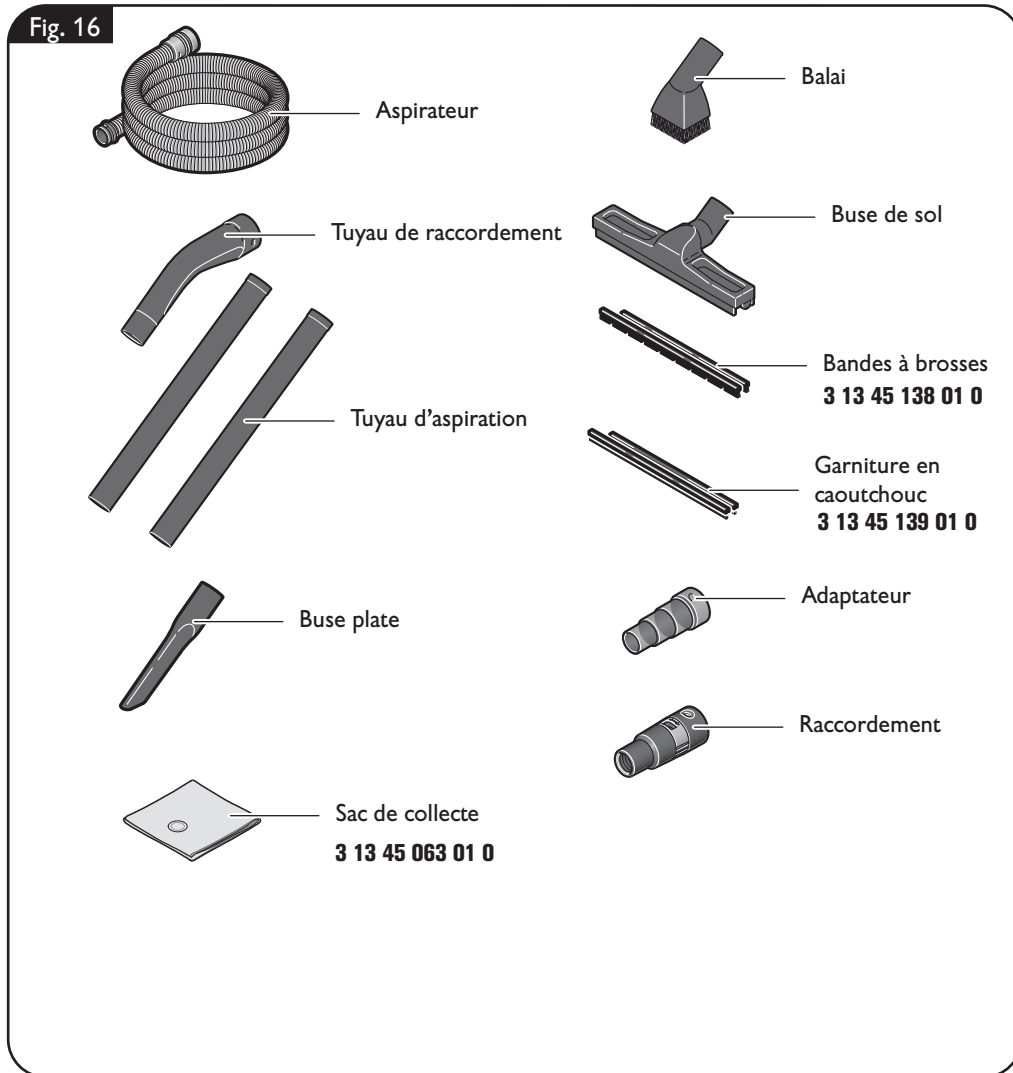
Il se peut que seule une partie des accessoires décrits ou représentés dans cette notice d'utilisation soit fournie avec l'outil électrique.

Protection de l'environnement, recyclage.

Rapporter les emballages, les outils électriques hors d'usage et les accessoires dans un centre de recyclage respectant les directives concernant la protection de l'environnement.

Pour plus de précisions, s'adresser à votre revendeur spécialisé.

Accessoires fournis (figure 16).



ADVERTENCIAS IMPORTANTES.

ANTES DE LA PRIMERA PUESTA EN MARCHA DEL APARATO DEBERÁN OBSERVARSE LOS SIGUIENTES PUNTOS.

Si al desembalar el aparato comprobara Vd. algún daño o desperfecto en el mismo atribuible al transporte, rogamos se dirija inmediatamente al distribuidor en donde adquirió el aparato.

Extraiga la totalidad de las piezas y accesorios del aparato que se encuentran en el recipiente del mismo o en la caja de cartón del embalaje. El aparato no es apropiado para la aspiración de polvos nocivos para la salud, como por ejemplo amianto. Para este tipo de aplicaciones deberá ponerse en contacto con su Distribuidor o la Delegación Nacional de FEIN.

El aspirador sólo se deberá conectar a tomas de corriente instaladas correctamente y provistas de una puesta a tierra reglamentaria. Los datos necesarios para el fusible de la red figuran en el apartado "Características Técnicas". Conectar el aparato sólo a tomas (cajas) de corriente correctamente instaladas y provistas de puesta a tierra (véanse al respecto también las advertencias que se hacen en el apartado "Instrucciones para conectar a tierra eléctrica").

En caso de utilizar herramientas eléctricas acopladas al aparato, deberán observarse estrictamente todas las normas de seguridad básicas, a fin de prevenir cualquier riesgo de incendio, descargas eléctricas o daños o lesiones del personal encargado de manipular los mismos: Esta aspiradora está diseñada para uso comercial.

DESCONECTE LA ASPIRADORA DEL CIRCUITO DE ALIMENTACIÓN antes de quitar la tapa, antes de realizar trabajo de mantenimiento y cuando no la esté utilizando.

NO DEJAR EL APARATO sin vigilancia, mientras esté enchufado.

SAQUE LA CLAVIJA DEL ENCHUFE CUANDO NO USE EL APARATO Y ANTES DE REALIZAR TRABAJOS DE SERVICIO EN EL MISMO.

SIEMPRE VERIFIQUE QUE EL CABLE ELECTRICO no esté dañado o desperfecto antes de usar la Aspiradora.

NO TIRE (Jale) O LLEVE LA ASPIRADORA POR EL CABLE ELECTRICO. Tampoco debe pellizcarlo con una puerta o estirarlo por ningún canto (borde) agudo.

NO EXPONGA EL CABLE A LO CALIENTE NI A ACEITES. Para prevenir un tropiezo, no deje el cable suelto después de usarlo.

NO PASE LA ASPIRADORA POR ENCIMA DEL CABLE DE ALIMENTACIÓN.

PONGA EL SELECTOR EN LA POSICION DE "OFF" antes de desenchufar la Aspiradora.

NO DESENCHUFE EL CABLE DE UN TIRON (Jalón). Para desenchufarle agarre la clavija (enchufe) no el cable.

NO TOQUE LA CLAVIJA NI EL APARATO CON LAS MANOS MOJADAS.

EL CABLE ELECTRICO (O LA CLAVIJA) sólo debe ser reemplazado por un representante de un Centro de Servicio Autorizado. SE NINGUNA MANERA DEBE INTENTAR LA REPARACION DEL CABLE ELECTRICO.

PARA PREVENIR CHOQUES ELECTRICOS, no esponga la herramienta a la lluvia. Guárdela en un lugar seco.

SOLO USE LA ASPIRADORA COMO ESTA RECOMENDADO EN ESTE MANUAL. También use únicamente los accesorios recomendados.

MANTENGA ALEJADOS EL CABELLO (PELO), ROPA, ALHAJAS SUELTAS, DEDOS o cualquier otra parte del cuerpo, de las aberturas y partes móviles de la máquina.

NO CUBRA NI OBSTRUYA LAS ABERTURAS. Mantenga las aberturas libres de pelusa, pelo, polvo y cualquier cosa que limite la circulación del aire.

NO ASPIRE NINGUNA COSA QUE SE ESTE QUEMANDO, ardiendo sin llama o echando humo, tal como cigarrillos (cigarros), fósforos (cerillos) o cenizas calientes.

NO ASPIRE MATERIALES COMBUSTIBLES O EXPLOSIVOS, tal como carbón de piedra, cereales (o su polvo) u otra sustancia fina y combustible.

NO ASPIRE MATERIALES COMBUSTIBLES, peligrosos, tóxicos o carcinógenos por ejemplo: gasolina, gasoil (petróleo para diesel), acetona, diluyente para pintura, aceite combustible, ácidos y disolventes no diluidos, pesticidas y amianto (asbesto).

USE LOS FILTROS RECOMENDADOS para limpiar (aspirar) materiales de paredes en seco o paneles de yeso.

NO USE EL ASPIRADOR SIN EL FILTRO y/o sin tener correctamente colocada la bolsa para desechar el polvo.

OLO CONECTE LA ASPIRADORA A TOMAS DE CORRIENTE CON CONEXION A TIERRA. (Vea "NORMAS DE SEGURIDAD").

NO DEJE QUE LA ASPIRADORA SEA USADA COMO JUGUETE. No permita que se acerquen niños a la Aspiradora.

NO DEJE LA ASPIRADORA EN MARCHA sin personal para cuidarla.

NO OPERE LA MAQUINA SI EL CABLE, EL ENCHUFE (La Clavija), EL FILTRO O LA PROPIA ASPIRADORA ESTA EN MALA CONDICION. Si la Aspiradora se ha caído o ha sido dañada o expuesta a la intemperie o si se ha caído en el agua, mándela o llévela a un representante de servicio autorizado para que el mismo verifique su funcionamiento.

SIEMPRE USE PROTECCION PARA LOS OJOS cuando opere la Aspiradora.

USE EXTREMA PRECAUCION al limpiar escaleras.

MANTENGASE ALERTA! No use la Aspiradora cuando esté cansado o bajo la influencia de medicación, alcohol o drogas.

GUARDE ESTAS INSTRUCCIONES.

ESTA ASPIRADORA ESTÁ DISEÑADA PARA USO COMERCIAL.

INSTRUCCIONES DE SEGURIDAD INSTRUCCIONES DE CONEXIÓN A TIERRA

Este electrodoméstico debe conectarse a tierra. Si funciona incorrectamente o se avería, la conexión a tierra proporciona un camino de resistencia mínima para la corriente eléctrica, con el fin de reducir el riesgo de descargas eléctricas.

Este electrodoméstico está equipado con un cable de alimentación que tiene un conductor de conexión a tierra del equipo y un enchufe de conexión a tierra.

El enchufe debe introducirse en un tomacorriente apropiado que esté instalado y conectado a tierra adecuadamente de acuerdo con todos los códigos y ordenanzas locales.

ADVERTENCIA:

La conexión incorrecta del conductor de conexión a tierra del equipo puede ocasionar un riesgo de descargas eléctricas.

Consulte a un electricista calificado o a una persona de servicio competente si no está seguro de si el tomacorriente está conectado a tierra adecuadamente.

No modifique el enchufe suministrado con el electrodoméstico.

Si el enchufe no entra en el tomacorriente, haga que un electricista calificado instale un tomacorriente apropiado.

Este electrodoméstico está diseñado para utilizarse en un circuito de 120 V nominales y tiene un enchufe conectado a tierra que tiene un aspecto como el del enchufe que se ilustra en la (Fig. A).

Puede utilizarse un adaptador temporal que tenga un aspecto como el del adaptador que se ilustra en la (Fig. B) para conectar este enchufe a un tomacorriente de dos polos, de la manera que se muestra en la (Fig. B), si no se dispone de un tomacorriente conectado a tierra adecuadamente.

El adaptador temporal debe utilizarse únicamente hasta que un electricista calificado pueda instalar un tomacorriente conectado a tierra adecuadamente (Fig. A).

La extensión rígida de color verde que sobresale del adaptador en forma de lengüeta, orejeta, etc., debe conectarse a una toma de tierra permanente, como por ejemplo una tapa de caja tomacorriente conectada a tierra apropiadamente.

Siempre que se utilice este adaptador, debe sujetarse en la posición correcta con un tornillo metálico.

EN TODOS CASOS, ASEGURE QUE LA TOMA DE CORRIENTE SEA APROPIADAMENTE CONECTADA A TIERRA.

NUNCA quite el conductor de tierra de la clavija.

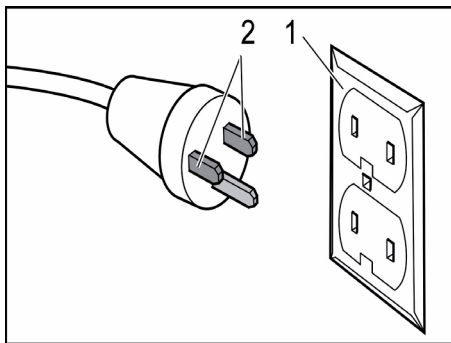
CABLES DE SERVICIO

Utilice únicamente cables de servicio de tres alambres que tengan enchufes de tres terminales del tipo de conexión a tierra y un tomacorriente de tres polos que acepte el enchufe del electrodoméstico. Reemplace inmediatamente cables de servicio dañados o gastados.

Pare reducir el riesgo de una descarga eléctrica, solo use el aparato con una extensión prevista para su uso a la intemperie (p. ej., SJW, SJTW o SJOW). Asegúrese que la extensión esté en buen estado y que la sección del cable sea suficiente para su aparato.

SE NINGUNA MANERA DEBE INTENTAR LA REPARACION DEL CABLE ELECTRICO.

Ilustración A




- 1 Caja de salida con conexión a tierra
2 El conductor de tierra es el más largo
El contacto más largo de los 3 es el contacto de tierra

Para su seguridad.

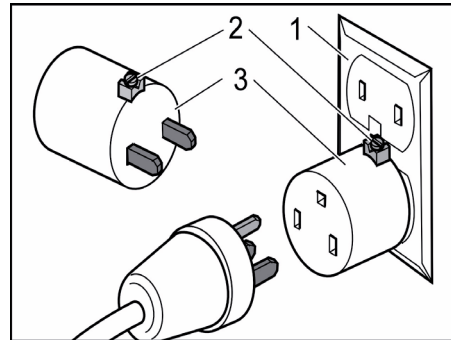
⚠ ADVERTENCIA Lea íntegramente estas advertencias de peligro e instrucciones. En caso de no atenerse a las advertencias de seguridad siguientes, ello puede ocasionar una descarga eléctrica, un incendio y/o lesión grave.

Guardar todas las advertencias de peligro e instrucciones para futuras consultas.

 No utilice este aspirador sin haber leído detenidamente antes y sin haber entendido del todo estas instrucciones de uso, las ilustraciones, especificaciones, reglas de seguridad, así como las indicaciones identificadas con PELIGRO, ADVERTENCIA y PRECAUCIÓN.

Solamente use este aspirador para realizar los trabajos que FEIN ha previsto para el mismo. Únicamente utilice los útiles y accesorios autorizados por FEIN.

Ilustración B



- 1 Caja de salida con conexión a tierra
2 Lengüeta para conectar a tierra
3 Adaptador

Indicación: En Canada, el uso de un adaptador temporal no está permitido por el Código Eléctrico Canadiense.

Observe también las respectivas prescripciones contra accidentes de trabajo vigentes en su país. En caso de no atenerse a las instrucciones de seguridad mencionadas en la documentación previamente citada, ello puede provocar una electrocución, incendio y/o lesión grave. Guarde estas instrucciones de uso para posteriores consultas y entréguelas al usuario en caso de prestar o vender la máquina. **GUARDAR ESTAS INSTRUCCIONES EN UN LUGAR SEGURO.**

Instrucciones generales de seguridad.

- 1) **Puesto de trabajo**
 - a) **Mantenga limpio y despejado el área de trabajo.** El desorden y una iluminación insuficiente del área de trabajo pueden provocar accidentes.
 - b) **No trabaje con el aparato en lugares con peligro de explosión, en los que se encuentren líquidos, gases o material en polvo combustibles.** Las herramientas eléctricas generan chispas capaces de incendiar el material en polvo o los vapores.
 - c) **Mantenga alejados a los niños y otras personas al utilizar el aspirador.** Una distracción puede hacerle perder el control sobre el aparato.
- 2) **Seguridad eléctrica**
 - a) **La clavija del aparato se deberá corresponder con el enchufe empleado. La clavija no deberá modificarse en modo alguno. No use adaptadores de conexión en aparatos protegidos por una toma de tierra.** Las clavijas sin modificar y los enchufes apropiados reducen el riesgo de exponerse a una descarga eléctrica.
 - b) **Evite el contacto de su cuerpo con superficies conectadas a tierra como tuberías, calefacciones, cocinas y refrigeradores.** El riesgo de descarga eléctrica es mayor si su cuerpo tiene contacto con tierra.
 - c) **No exponga el aparato a la lluvia ni a la humedad.** La penetración de agua en el aparato eléctrico aumenta el riesgo de descarga eléctrica.
 - d) **No use la línea para transportar el aparato, ni para colgarlo, ni para jalar la clavija del enchufe. Mantenga la línea alejada del calor, aceite, esquinas agudas o piezas móviles.** Las líneas dañadas o enredadas comportan un mayor riesgo de electrocución.
 - e) **Si usa el aspirador para trabajar a la intemperie solamente utilice extensiones autorizadas para su uso en exteriores.** La utilización de una extensión apropiada para su uso en exteriores reduce el riesgo de una descarga eléctrica.
 - f) **Si fuese imprescindible utilizar el aspirador en un entorno húmedo, es necesario utilizar un dispositivo de corriente residual (RCD).** El uso de un dispositivo de corriente residual reduce el riesgo a exponerse a una descarga eléctrica.
- 3) **Seguridad personal**
 - a) **Esté atento a lo que hace y emplee el aspirador con prudencia. No utilice el aparato si estuviese cansado, ni tampoco después de haber consumido drogas, alcohol o medicamentos.** Un momento de distracción durante el uso del aparato puede provocarle serios daños.
 - b) **Evite una puesta en marcha accidental. Asegúrese de que el switch se encuentre en la posición "AUS" (Off) antes de conectar la clavija al enchufe.** Si transporta el aparato sujetándolo por el switch, o al conectar el aparato estando el switch en la posición de encendido, ello puede dar lugar a un accidente.
 - c) **Sea precavido. Trabaje sobre una base firme y mantenga el equilibrio en todo momento.** Ello le permitirá controlar mejor el aparato al presentarse una situación inesperada.
- 4) **Trato y uso cuidadoso de aspiradores**
 - a) **No sobrecargue el aparato. Emplee el aspirador adecuado al trabajo que quiera realizar.** Con el aspirador apropiado trabajará mejor y más seguro dentro del margen de potencia indicado.
 - b) **No use aspiradores con un switch defectuoso.** Los aspiradores que no puedan conectarse o desconectarse son peligrosos y deben hacerse reparar.
 - c) **Saque la clavija del enchufe antes de efectuar ajustes en el aparato, al cambiar accesorios, o al guardar el aparato.** Esta medida preventiva evita la conexión fortuita del aparato.
 - d) **Guarde los aspiradores fuera del alcance de los niños. No permita que empleen el aparato aquellas personas que no estén familiarizadas con su uso o que no hayan leído estas instrucciones.** Los aspiradores pueden ser peligrosos si son empleados por personas inexpertas.

e) Cuides con esmero el aparato. Verifique que las piezas móviles del aparato funcionen correctamente, sin atorarse, e inspeccione si existen piezas rotas o dañadas que pudieran afectar al funcionamiento del mismo. Haga reparar las piezas deterioradas antes de volver a poner en marcha el aparato. Muchos de los accidentes obedecen a un mantenimiento deficiente de los aspiradores.

f) Utilice el aspirador, los accesorios, etc. de acuerdo a estas instrucciones y en el modo que se indica para este aparato específico. Considere en ello las condiciones de trabajo y la tarea que va a realizar. El uso de aspiradores para aplicaciones diferentes de las previstas puede resultar peligroso.

5) Servicio técnico

a) Únicamente haga reparar su aspirador con refacciones originales por un profesional cualificado. Solamente así se garantiza la seguridad del aspirador.

Instrucciones de seguridad especiales.

Este aspirador no ha sido diseñado para ser utilizado por personas o niños que presenten una discapacidad física, sensorial o mental, o que dispongan de una experiencia y/o conocimientos insuficientes.

Vigile a los niños. De esta manera evitará que los niños jueguen con el aspirador.

⚠ ADVERTENCIA Las personas que manejan el aspirador deberán estar suficientemente instruidas en el uso del mismo. Antes de su utilización, el usuario deberá recibir las informaciones, instrucciones y la capacitación necesaria sobre el uso del aspirador y sobre los materiales para los que va usarse, así como sobre el procedimiento seguro para desechar el material aspirado. El usuario deberá respetar las prescripciones de seguridad vigentes para los materiales que vaya a manipular.

Utilice un equipo de protección personal. Dependiendo del trabajo a realizar use una careta, una protección para los ojos, o unas gafas de protección. Si procede, emplee una mascarilla antipolvo, protectores auditivos, guantes de protección o un mandil especial adecuado para protegerle de los pequeños fragmentos que pudieran salir proyectados al desprenderse del útil o pieza. Las gafas de protección deberán ser indicadas para protegerle de los fragmentos que pudieran salir despedidos al trabajar. La mascarilla antipolvo o respiratoria deberá ser apta para filtrar las partículas producidas al trabajar. La exposición prolongada al ruido puede provocar sordera.

Únicamente conecte el aspirador a un enchufe reglamentario con contacto de protección. Solamente use cables de conexión sin dañar y extensiones con contacto de protección que sean chequeadas con regularidad. Un conductor de protección interrumpido puede exponerle a una descarga eléctrica.

El racor de conexión con toma de tierra se encarga de disipar las cargas electrostáticas. Si se combinan con accesorios opcionales disipadores de cargas electrostáticas se evita así la formación de chispas y las descargas eléctricas.

Al aspirar líquidos solamente deje funcionar el aspirador con el depósito en posición horizontal. De lo contrario podría exponerse a una descarga eléctrica al penetrar agua en el motor del aspirador.

No utilice la línea para jalar el aspirador ni para sacar la clavija del enchufe. Mantenga la línea alejada del calor, aceite, esquinas agudas o piezas móviles. No pase con ruedas por encima de la línea ni tampoco la aplaste. Las líneas dañadas o enredadas comportan un mayor riesgo de electrocución.

Saque la clavija del enchufe antes de cambiar un accesorio. Esta medida preventiva reduce el riesgo de exponerse a una descarga eléctrica.

No aspire materiales nocivos para la salud como, p. ej., polvo de haya, encina, roble, piedra o asbesto. Estos materiales son cancerígenos.

Observe que esté bien ventilado el puesto de trabajo.

No aspire líquidos combustibles ni explosivos como, p. ej., gasolina, aceite, alcohol o solventes. No aspire materiales en polvo calientes ni combustibles. No deje funcionar el aspirador en recintos con peligro de explosión. Los materiales en polvo, los vapores, o los líquidos pueden inflamarse o explotar.

No está permitido atornillar o remachar rótulos ni señales al aspirador. Un aislamiento dañado no le protege de una electrocución. Utilice etiquetas adhesivas.

No use accesorios que no hayan sido previstos o recomendados especialmente por FEIN para este aspirador. El mero hecho de que los accesorios puedan montarse en su aspirador no implica que su uso sea seguro.

Antes de la puesta en marcha inspeccione si están dañados el cable de red y el enchufe.

⚠ ADVERTENCIA Solo use el enchufe del aspirador para conectar a él una herramienta eléctrica externa. El aspirador se pone automáticamente en marcha al conectar la herramienta eléctrica que va enchufada al mismo.

La potencia de la herramienta eléctrica no deberá superior a la potencia máxima P_A conectable al enchufe del aspirador.

También considere las instrucciones de uso y de seguridad indicadas en las instrucciones de uso de la herramienta eléctrica que desee conectar a la base de enchufe del aspirador.

Recomendación: Siempre opere el aspirador a través de un interruptor diferencial (RCD) con una corriente de disparo máxima de 30 mA.

El aspirador solamente deberá almacenarse en interiores.

El margen de la temperatura ambiente admisible al aspirar es de +14°F a +104°F (-10 °C a +40 °C).

No está permitido utilizar el aspirador a bajas temperaturas. La línea puede dañarse a bajas temperaturas, peligrando así su seguridad.

Emisión de ruidos y vibraciones

(Indicación binumérica según IEC 60335-2-69)

Emisión de ruido

Turbo II X AC HEPA

Nivel de de presión sonora L_{pA} (re 20 μ Pa), medido con filtro A en el puesto de trabajo, en decibelios

70

Inseguridad K_{pAv} en decibelios

2

OBSERVACIÓN: la suma de los valores emitidos medidos, considerando la inseguridad respectiva, representa el límite superior que puede alcanzarse en las mediciones.

👂 ¡Utilizar unos protectores acústicos!

Valores de medición determinados según normativa del producto pertinente.

Extensiones.

⚠ ADVERTENCIA Si fuese preciso usar una extensión, su longitud y sección del cable deberá seleccionarse de acuerdo a la aplicación prevista para evitar una caída de tensión en la

extensión, una pérdida de potencia y un sobrecalentamiento del aspirador. De lo contrario, se presentan peligros de origen eléctrico en la extensión y en el aspirador, además de reducirse sus prestaciones.

Utilización reglamentaria del aspirador:

Aspirador de líquidos y sólidos para uso con los accesorios homologados por FEIN en lugares cubiertos, para aspirar materiales en polvo secos que no sean nocivos para la salud y pequeñas partículas de suciedad, especialmente en combinación con herramientas eléctricas al realizar trabajos que produzcan polvo, así como para aspirar líquidos no combustibles.

Este aspirador ha sido diseñado para su uso en el ámbito profesional, p. ej. en hoteles, colegios, sanatorios, fábricas, tiendas, oficinas y servicios de renta.



⚠ ADVERTENCIA

El aspirador contiene material en polvo nocivo para la salud. Solamente permita que sea un profesional quien se encargue de vaciar y mantener el aparato, así como de desechar el depósito colector de polvo. Para ello se requiere el correspondiente equipo de protección. No use el aspirador sin tener montados todos los filtros. De lo contrario pone en peligro su salud.








Alimentación de la herramienta eléctrica con un grupo electrógeno.

Este aspirador es apto además para ser utilizado con grupos electrógenos de alterna siempre que dispongan de suficiente potencia y cumplan los requisitos según norma ISO 8528 para la clase de ejecución G2. Deberá prestarse especial atención a no sobrepasar el coeficiente de distorsión máximo del 10 % establecido en dicha norma. En caso de duda consulte los datos del grupo que Ud. utiliza.

⚠ **ADVERTENCIA** Esta prohibido conectar el aspirador a generadores de corriente cuya tensión en vacío sea superior a la tensión indicada en la placa de características de la herramienta eléctrica.

Simbología.

Símbolo	Definición
	Es imprescindible leer los documentos que se adjuntan, como las instrucciones de servicio y las instrucciones generales de seguridad.
	Antes de realizar el paso de trabajo descrito, sacar el enchufe de la red. En caso contrario, podría accidentarse al ponerse en marcha fortuitamente la herramienta eléctrica.
	¡Seguir las instrucciones indicadas al margen!
	¡Seguir las instrucciones indicadas al margen!
	Al trabajar protegerse los ojos.
	Al trabajar utilizar un protector acústico.
	Este símbolo confirma que este producto ha sido certificado en USA y Canadá.
	Símbolo de prohibición general. Esta acción está prohibida.
	Este símbolo advierte sobre una situación peligrosa inminente. Un comportamiento incorrecto puede dar lugar a una lesión grave o incluso mortal.

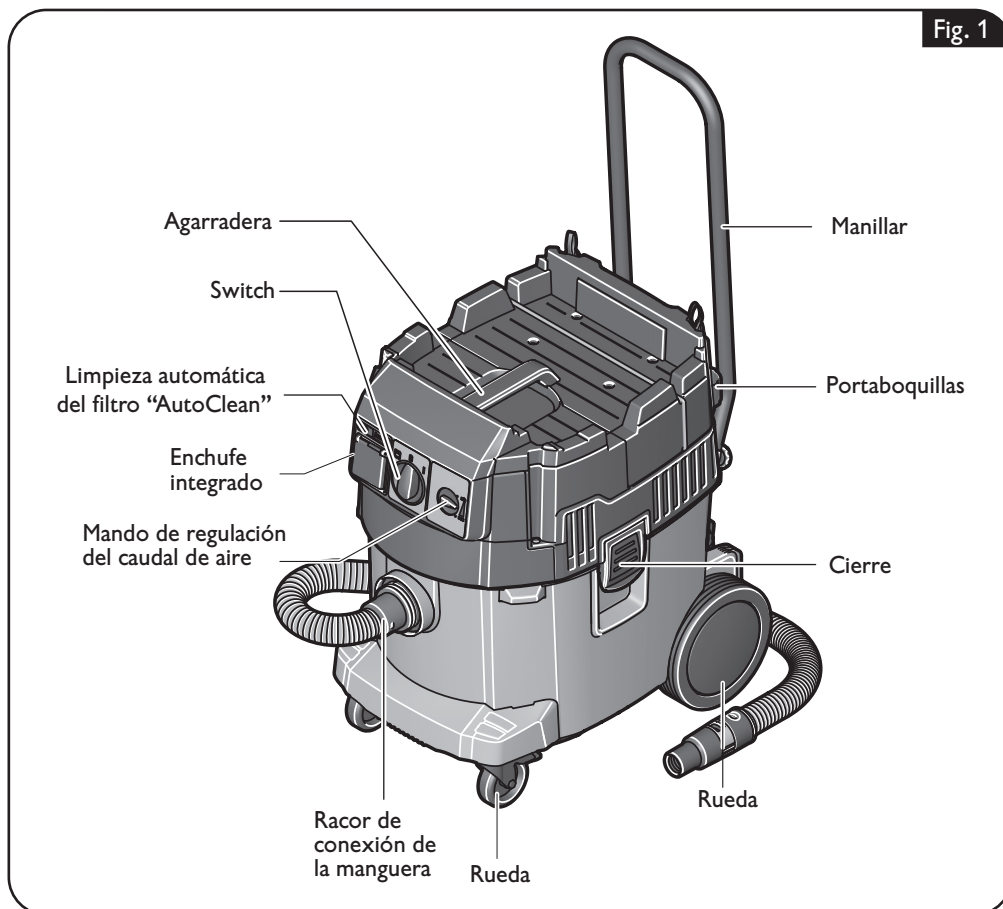
Símbolo	Definición
 ADVERTENCIA	Este símbolo advierte sobre una situación peligrosa que puede comportar lesiones graves o mortales.
 ATENCIÓN	Este símbolo advierte sobre una situación peligrosa en la que pudiera lesionarse.
	Acumular por separado las herramientas eléctricas y demás productos electrotécnicos y eléctricos inservibles y someterlos a un reciclaje ecológico.
	Producto dotado con un aislamiento base además de tener conectadas al conductor de tierra las piezas conductoras de corriente susceptibles de ser tocadas.
	Conexión
	Desconexión
~ o a. c.	Corriente alterna
1 ~	Corriente alterna monofásica
IPX4	Grado de protección
	Disipativo electrostático
(**)	Puede contener cifras o letras



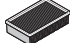

Símbolo	Unidad nacional	Definición
n_0	rpm; /min; min^{-1} ; r/min	Revoluciones en vacío
P	W	Unidad de medida de la potencia
P_{Max}	W	Potencia absorbida, máx.
	°	Unidad de medida del ángulo
U	V	Unidad de medida de la tensión eléctrica
f	Hz	Unidad de medida de la frecuencia
I	A	Unidad de medida de la intensidad
m	lbs	Unidad de medida de la masa
l	ft, in	Unidad de medida para la longitud, ancho, altura, profundidad, diámetro o roscas
\varnothing	ft, in	Diámetro de una pieza redonda
	m, s, kg, A, mm, V, W, Hz, N, °C, dB, min, m/s^2	Unidades básicas y unidades derivadas del sistema internacional de unidades SI .

Descripción técnica y especificaciones.

⚠ ADVERTENCIA Saque la clavija del enchufe antes de montar o cambiar los accesorios. Esta medida de seguridad preventiva evita los accidentes que pudieran presentarse en caso de una puesta en marcha involuntaria del aspirador.

Es posible que los accesorios suministrados de serie con su aspirador sólo sean algunos de los accesorios descritos o mostrados en estas instrucciones de uso.



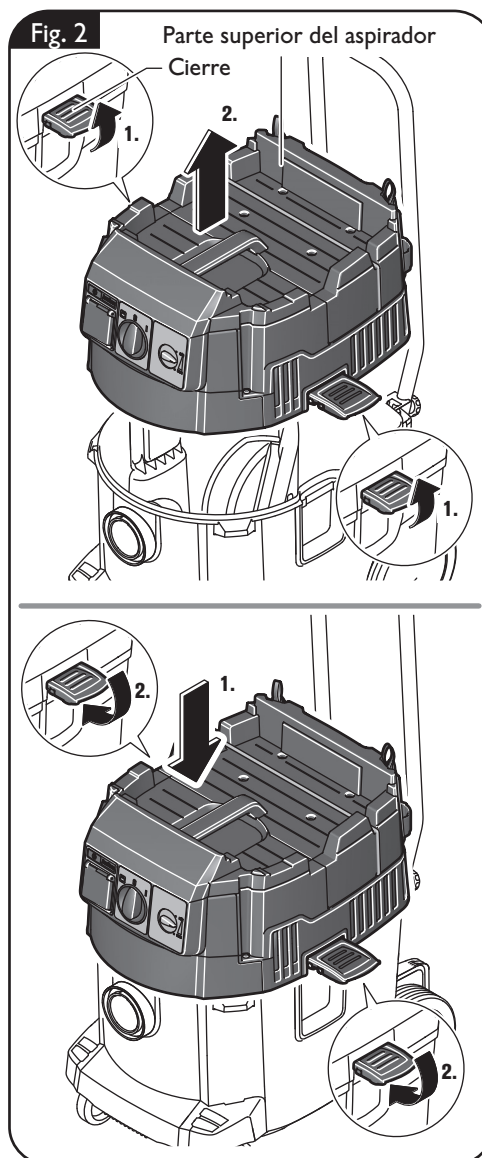
Tipo	Turbo II X AC HEPA
Nº de referencia	9 20 30 060 99 0
Corriente absorbida	9 A
Corriente máx. conectable a la base de enchufe integrada	6 A
Capacidad del depósito	9.3 gal 35 l
Cabida de líquido	5.5 gal 21 l
Caudal con manguera de 4 m	82.6 cfm 39 l/s
Caudal en ventilador	152.6 cfm 72 l/s
Vacío	235 hPa
Longitud x ancho x altura	540 mm x 355 mm x 590 mm
Peso según EPTA-Procedure 01	31.1 lbs (14.1 kg)
Clase de protección	⊕/I
Línea	25 ft (7.5 m) SJOW 3/14 AWG
	3 13 45 079 01 0
	3 13 45 120 01 0
 HEPA	3 13 45 274 01 0
	3 13 45 063 01 0

Instrucciones de montaje.

⚠ ADVERTENCIA Saque la clavija del enchufe antes de montar o cambiar los accesorios. Esta medida de seguridad preventiva evita los accidentes que pudieran presentarse en caso de una puesta en marcha involuntaria del aspirador.

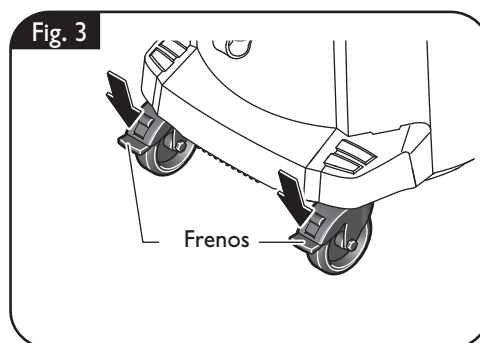
Desmontaje y montaje de la parte superior del aspirador (Figura 2).

Abra los cierres a ambos lados y retire la parte superior del aspirador.
Monte la parte superior del aspirador y vuelva a cerrar firmemente los cierres.



Bloqueo de los frenos (Figura 3).

Para bloquear los frenos pise hacia abajo la palanca metálica de las ruedas con freno.

**Colocación de la bolsa para desechar el polvo (Figura 4).**

Abra los cierres a ambos lados y retire la parte superior del aspirador.

Para aspirar polvo fino y para desecharlo sin producir apenas polvo deberá emplearse además una bolsa para desechar el polvo o una bolsa de filtración de vellón.

Al colocar la bolsa para desechar el polvo doble hacia fuera su borde por encima del borde del depósito. Pase el agujero de la bolsa para desechar el polvo por encima del collar del racor de aspiración.

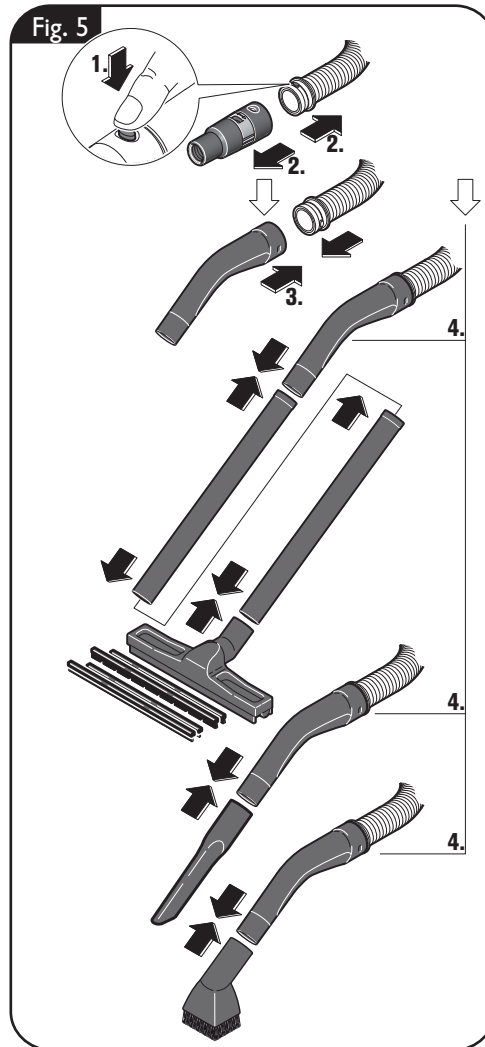
Para retirar la bolsa para desechar el polvo desdoble su bordes y sacarla hacia atrás pasándola por encima del racor de aspiración. Cierre la bolsa para desechar el polvo con la cinta de cierre.

Retire siempre la bolsa para desechar el polvo tras aspirar suciedad húmeda.



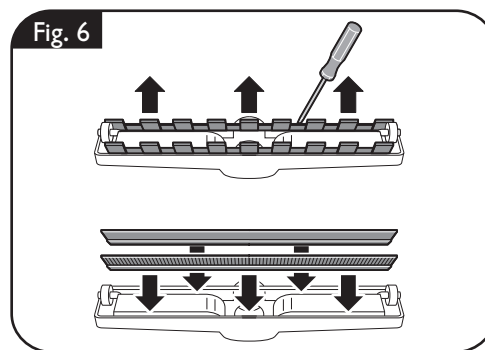
Accesorios (Figura 5).

Ensamble las piezas accesorio con poca presión. Para desensamblar las piezas gírelas en sentido contrario al tiempo que jalá de ellas.



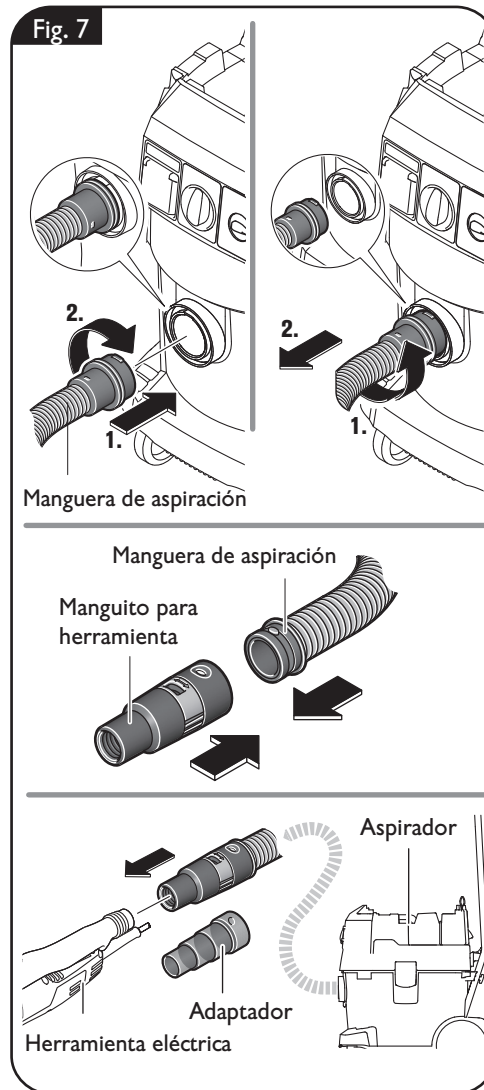
Montaje de los labios de hule (Figura 6).

Retire los cepillos en tira y monte en su lugar los labios de hule. La cara en relieve deberá quedar hacia fuera.



Conexión de la manguera de aspiración (Figura 7).

Inserte hasta el tope la manguera de aspiración en el racor de conexión de la manguera. Bloquee el cierre girándolo levemente. Conecte el manguito para herramienta a la manguera de aspiración y a la herramienta eléctrica que desee.



Montaje y limpieza del filtro de pliegues plano (Figura 8).

Cambio del filtro, ver capítulo “Investigación de fallas.”

Utilice un equipo de protección personal (filtro respiratorio, guantes de protección).

El cambio del filtro deberá realizarse únicamente en un lugar apropiado para ello y sin exponer a un peligro a otras personas.

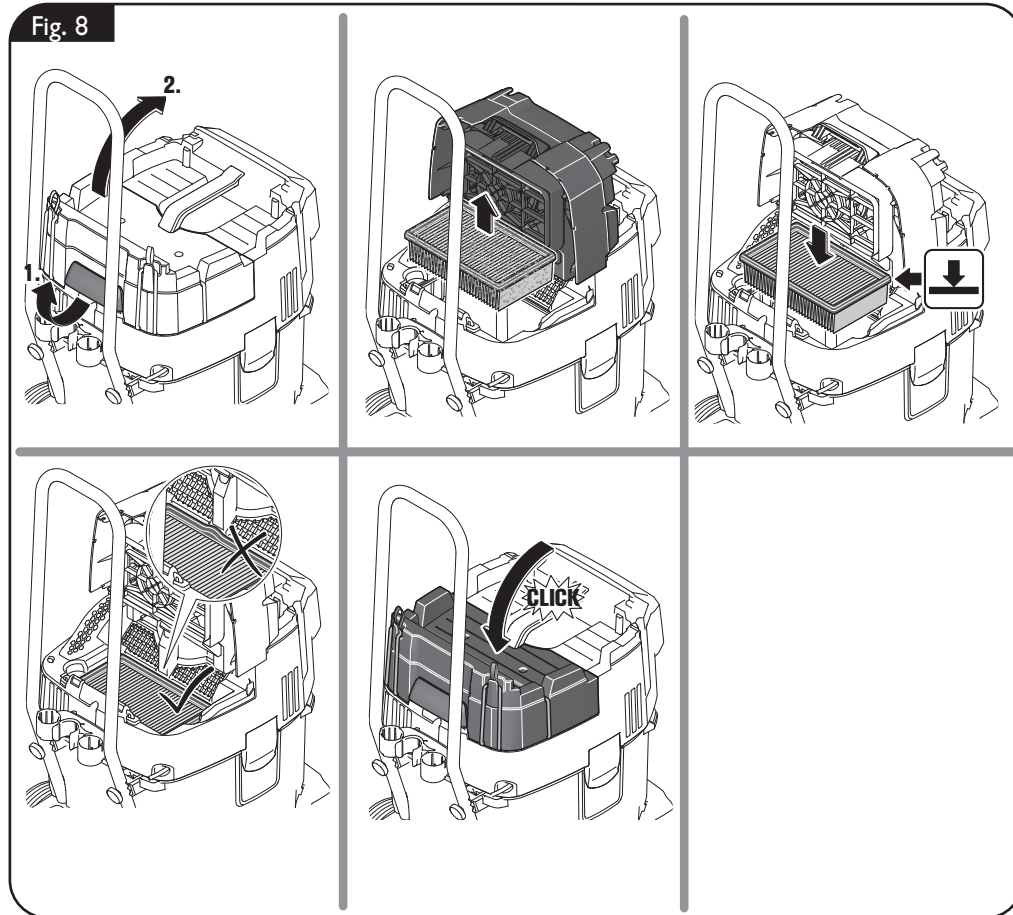
Después de retirar el filtro contaminado, limpie el lado por donde sale el aire filtrado y las áreas de sellado con un detergente de tipo comercial no abrasivo, disuelto en agua.

⚠ ATENCIÓN Jamás aspire polvo sin tener montado el filtro de pliegues plano para no dañar el motor y evitar riesgos para la salud al contaminar el ambiente con polvo fino.

! Si ha aspirado líquidos, antes de aspirar sólidos secos deje que se seque primero el filtro de pliegues plano o cámbielo por otro ya seco. De lo contrario quedaría inservible el filtro de pliegues plano.

Observe que el filtro de pliegues plano esté siempre seco y límpielo con regularidad.

Solo si se utiliza un filtro HEPA se cumplen los requisitos exigidos en la regla EPA (RRP). El filtro HEPA, además de estar en buen estado, deberá ir montado correctamente.



Instrucciones para la operación.

⚠ ADVERTENCIA Saque la clavija del enchufe antes de montar o cambiar los accesorios. Esta medida de seguridad preventiva evita los accidentes que pudieran presentarse en caso de una puesta en marcha involuntaria del aspirador.

Conexión y desconexión (Figura 9).

⚠ ADVERTENCIA Asegúrese primeramente del perfecto estado de la línea y de la clavija.


Conexión:

Coloque el switch en la posición (I).

Desconexión:

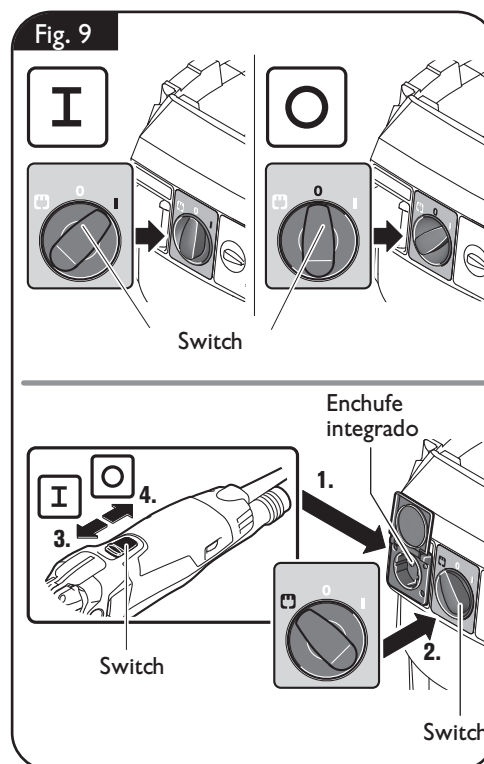
Coloque el switch en la posición (0).

Enchufe del aspirador

Con el switch en la posición  el aspirador se pone automáticamente en marcha al conectar la herramienta eléctrica conectada al mismo.

Apague el aspirador antes de conectar la herramienta eléctrica a la base de enchufe del aspirador. Solamente conecte a la base de enchufe del aspirador la herramienta eléctrica estando ésta apagada.

Después de apagar una herramienta eléctrica conectada a la base de enchufe del aspirador éste sigue funcionando todavía aprox. 15 segundos y se detiene entonces automáticamente.



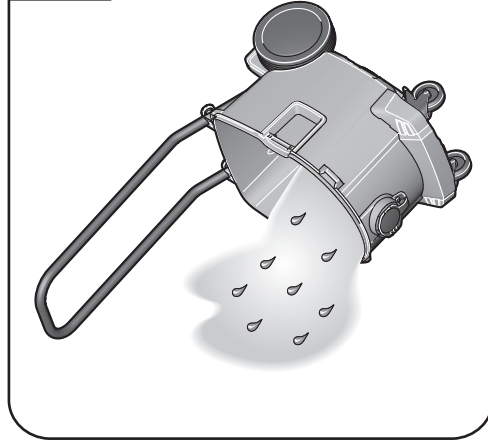
Aspiración en húmedo (Figura 10).

Al aspirar líquidos conductores de electricidad el aspirador se desconecta automáticamente al alcanzarse el nivel de llenado máximo en el depósito del mismo (desconexión automática). Saque la clavija del enchufe y vacíe el depósito.

Al aspirar líquidos que no sean conductores de electricidad el aspirador **no se desconecta automáticamente** al alcanzarse el nivel de llenado máximo. Vacíe a tiempo el depósito. Si comienza a salir espuma del aspirador desconéctelo inmediatamente y vacíe el depósito.

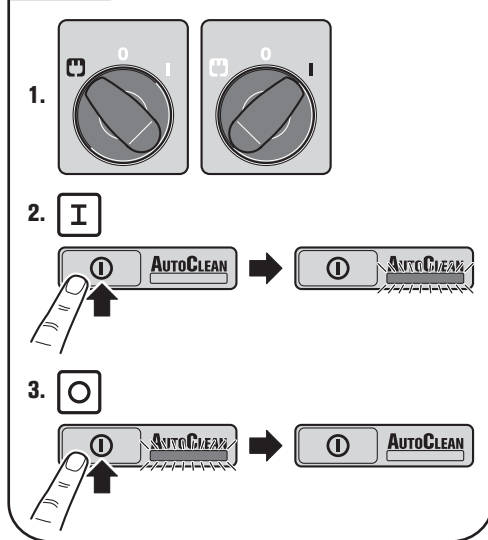
Al terminar de aspirar líquidos limpie las sondas y el espacio libre a su alrededor con un cepillo. (figura 16)

Fig. 10

**Limpieza automática del filtro (Figura 11).**

La función AC "Limpieza automática del filtro" está activada de fábrica, o sea que el filtro de pliegues plano es soplado automáticamente cada 15 segundos con aire para limpiarlo. En caso de aspirar suciedad húmeda o al aspirar predominantemente agua, recomendamos desactivar la función AC "Limpieza automática del filtro".

Fig. 11

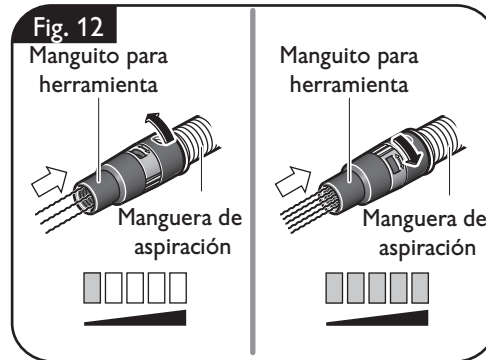


Regulación del caudal de aire en la manguera de aspiración (Figura 12).

El caudal de aire puede aumentarse y reducirse de forma continua.

Gire el regulador del caudal de aire hacia la izquierda para aumentar el caudal de aire.

Gire el regulador del caudal de aire hacia la derecha para reducir el caudal de aire.

**Regulación del caudal de aire en el aspirador (Figura 13).**

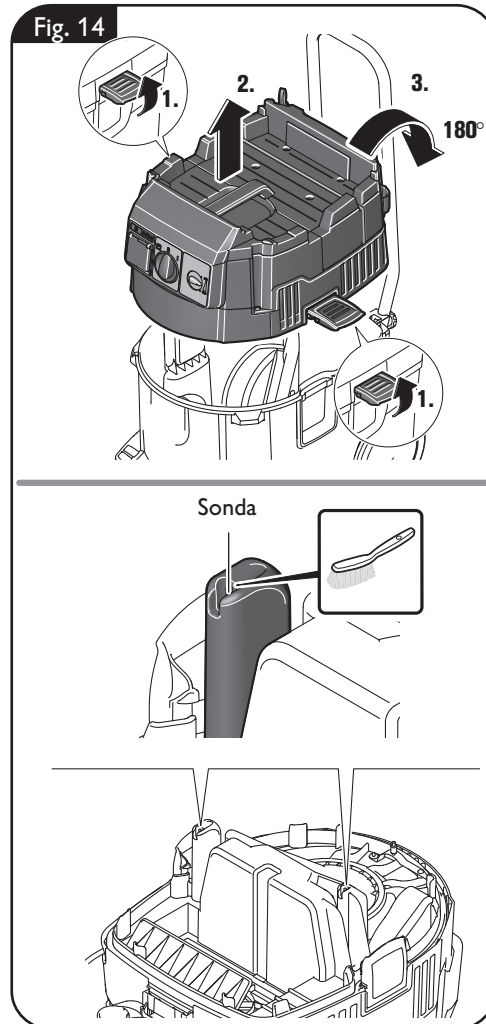
El caudal de aire puede aumentarse y reducirse de forma continua.

Gire el mando de regulación hacia abajo para aumentar el caudal de aire.

Gire el mando de regulación hacia arriba para reducir el caudal de aire.



Limpieza de las sondas (Figura 14).
Al terminar de aspirar líquidos limpie las sondas y sus huecos con un cepillo.

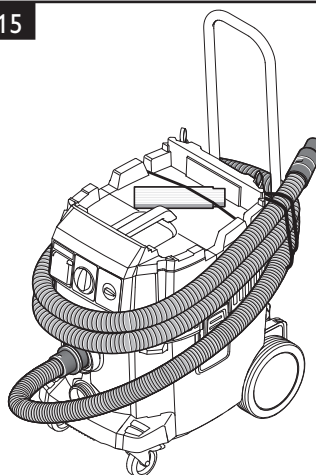


Almacenaje y transporte (Figura 15).

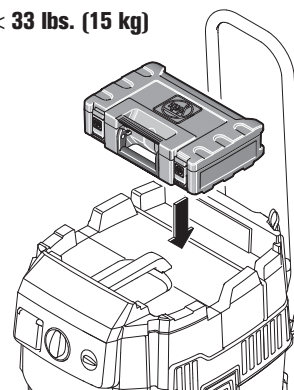
Guarde el aspirador en lugar seco, según se muestra en la figura.

Ud. puede depositar un maletín de transporte sobre la parte superior del aspirador.

Fig. 15



m < 33 lbs. (15 kg)



Indicaciones adicionales.

Si el aire de salida es expulsado en el cuarto deberá ser suficiente la tasa de renovación de aire (L) en dicho cuarto. El caudal de aire retornado deberá ser como máximo un 50 % del caudal de aire fresco (volumen del cuarto x tasa de renovación de aire L_w). Sin unas medidas de ventilación especiales, deberá aplicarse: $L_w = 1 \text{ h}^{-1}$.

En caso de un cortocircuito y/o salida de polvo desconecte inmediatamente el aspirador y desenchúfelo de la red.



No utilice el aspirador para subirse sobre él. Si el aspirador llega a volcar Ud. podría accidentarse o el aspirador podría dañarse.

Reparación y servicio técnico.

⚠ ADVERTENCIA Saque la clavija del enchufe antes de montar o cambiar los accesorios. Esta medida de seguridad preventiva evita los accidentes que pudieran presentarse en caso de una puesta en marcha involuntaria del aspirador.

Piezas sustituibles.

Si fuese preciso, puede sustituir Ud. mismo las piezas siguientes:

Bolsa de filtración de vellón, bolsa para desecher el polvo, filtro de pliegues plano, manguera, manguito para herramientas, codo, tubos de aspiración, boquilla para rendijas, boquilla para suelo, labios de cerdas, labios de hule, adaptador escalonado, pincel de aspiración

Servicio técnico.

⚠ ADVERTENCIA Únicamente deje realizar los trabajos de mantenimiento por un profesional. Las líneas y componentes mal montados pueden suponer un grave peligro. Deje efectuar el servicio requerido por un servicio técnico FEIN.

La lista de piezas de refacción actual para este aspirador la encuentra en internet bajo www.fein.com.

Transporte



El aspirador no es apto para ser alzado con grúa. No suspenda el aspirador de un gancho de grúa. En caso contrario podría lesionarse o dañar el aspirador.

Bloquee las ruedas orientables con el freno al transportar el aspirador en vehículos.

Transporte el aspirador sujetándolo de la agarradera y no del manillar.

Mantenimiento y limpieza.

Antes de su mantenimiento y limpieza desconecte el aspirador para dejarlo sin tensión.



Cheque las conexiones, juntas y mangueras. Únicamente haga reparar su aparato con refacciones FEIN por un profesional cualificado.

Para la limpieza del aspirador use un detergente de tipo comercial no abrasivo, disuelto en agua. Una vez limpio, deje que el aspirador se seque completamente.



Vacíe el depósito después de cada uso y elimine la suciedad gruesa y el polvo.

Vacíe el depósito después de aspirar líquidos. A continuación, deje funcionar unos minutos el aspirador junto con los accesorios utilizados, para que se sequen.

Deseche los filtros de pliegues planos y los sacos filtrantes conforme a las disposiciones legales.

Si fuese necesario cambiar la línea, es necesario que FEIN o un taller concertado FEIN se encargue de realizar estos trabajos para no poner en peligro su seguridad.

Al menos una vez al año el aspirador deberá ser sometido por el fabricante o una persona capacitada para ello a un chequeo técnico de las facultades técnicas para la aspiración de polvo como, p. ej., estado del filtro, funcionamiento y hermeticidad del aspirador y funcionamiento correcto del dispositivo de control. En los aspiradores que hayan estado ubicados en un entorno contaminado deberán limpiarse todas las piezas y su exterior, o deberán sellarse convenientemente. Al realizar trabajos de mantenimiento y reparación deberán desecharse todas aquellas piezas ensuciadas que no hayan podido ser limpiadas satisfactoriamente. Estas piezas deberán guardarse en bolsas herméticas y desecharse según corresponda a este tipo de residuo de acuerdo con las disposiciones vigentes al respecto.

Para su mantenimiento por el usuario, es necesario que el aspirador sea desmontado, limpiado y mantenido, dentro de lo viable, cuidando que ello no suponga un peligro para el personal de mantenimiento o demás personas. Antes de su desmontaje deberá limpiarse el aspirador para prevenir posibles riesgos. El local previsto para el desmontaje del aspirador deberá estar bien ventilado. Utilice un equipo de protección personal durante los trabajos de mantenimiento. Una vez concluidos los trabajos de mantenimiento deberá limpiarse el área en el que fueron realizados estos trabajos.

Investigación de fallas.

Falla	Causa	Eliminación de fallas
El aspirador no funciona.	Se ha activado el fusible del enchufe al que va conectado.	Asegurar una alimentación correcta.
	Aspirador en funcionamiento automático.	Colocar en "I" el selector del modo de operación.
Potencia de aspiración reducida.	Aspirador mal montado.	Colocar correctamente la parte superior del aspirador y cerrar completamente ambos cierres.
	Sistema de aspiración atascado.	Desatascar la manguera y los tubos de aspiración.
	Filtro, lleno.	Cambiar el filtro.
	Bolsa para desechar el polvo, llena.	Cambiar la bolsa para desechar el polvo.
Fuga de polvo al aspirar.	Posición de montaje incorrecta del filtro.	Montar el filtro en posición correcta.
No se realiza la aspiración en húmedo.	Depósito lleno.	Vaciar depósito.
La desconexión automática no se activa al aspirar en húmedo.	Sondas sucias.	Limpiar las sondas y los espacios a su alrededor con un cepillo.
	Depósito lleno.	En líquidos no conductivos eléctricamente checar el nivel de llenado y vaciar el depósito, si procede.
La limpieza automática del filtro (AC) no funciona.	No se conectó la manguera de aspiración.	Conectar la manguera de aspiración.
La limpieza automática del filtro (AC) no puede conectarse/desconectarse.		Acudir al servicio técnico FEIN.

Garantía.

La garantía del producto se realiza de acuerdo a las regulaciones legales vigentes en el país de adquisición. Adicionalmente, FEIN ofrece una garantía ampliada de acuerdo con la declaración de garantía del fabricante FEIN.

El material de serie suministrado con su herramienta eléctrica puede que no corresponda en su totalidad al material descrito o mostrado en estas instrucciones de servicio.

Protección del medio ambiente, eliminación.

Los embalajes, y las herramientas eléctricas y accesorios inservibles deberán entregarse a los puntos de recogida correspondientes para que puedan ser sometidos a un reciclaje ecológico. Informaciones adicionales al respecto las obtiene en su comercio especializado habitual.

Accesorios incluidos en el suministro (Figura 16).

