




JHM USA 101 X

7 272 ... / 7 273 ...


<b>en</b>	Instruction Manual	 <b>3</b>
<b>fr</b>	Mode d'emploi	 <b>19</b>
<b>es</b>	Instrucciones de uso	 <b>36</b>

## For your safety.

### **WARNING** Read all safety warnings and all instructions.

Failure to follow the warnings and instructions may result in electric shock, fire and/or serious injury.

**Save all warnings and instructions for future reference.**

 Do not use this power tool before you have thoroughly read and completely understood this Instruction Manual, including the figures, specifications, safety regulations and the signs indicating DANGER, WARNING and CAUTION.

Only carry out such operations with this power tool as intended for by the manufacturer. Only use cutting tools and accessories that have been approved by the manufacturer.

Please also observe the relevant national industrial safety regulations.

Non-observance of the safety instructions in the said documentation can lead to an electric shock, burns and/or severe injuries.

This Instruction Manual should be kept for later use and enclosed with the power tool, should it be passed on or sold.

**SAVE THESE INSTRUCTIONS.**

The term “power tool” in the warnings refers to your mains-operated (corded) power tool or battery operated (cordless) power tool.

## General Power Tool Safety Warnings.

### 1) Work area safety

- a) **Keep work area clean and well lit.** Cluttered or dark areas invite accidents.
- b) **Do not operate power tools in explosive atmospheres, such as in the presence of flammable liquids, gases or dust.** Power tools create sparks which may ignite the dust or fumes.
- c) **Keep children and bystanders away while operating a power tool.** Distraction can cause you to lose control.

### 2) Electrical safety

- a) **Power tool plugs must match the outlet. Never modify the plug in any way. Do not use any adapter plugs with earthed (grounded) power tools.** Unmodified plugs and matching outlets will reduce risk of electric shock.
- b) **Avoid body contact with earthed or grounded surfaces such as pipes, radiators, ranges and refrigerators.** There is an increased risk of electric shock if your body is earthed or grounded.
- c) **Do not expose power tools to rain or wet conditions.** Water entering a power tool will increase the risk of electric shock.
- d) **Do not abuse the cord. Never use the cord for carrying, pulling or unplugging the power tool. Keep cord away from heat, oil, sharp edges or moving parts.** Damaged or entangled cords increase the risk of electric shock.
- e) **When operating a power tool outdoors, use an extension cord suitable for outdoor use.** Use of a cord suitable for outdoor use reduces the risk of electric shock.
- f) **If operating a power tool in a damp location is unavoidable, use a ground fault circuit interrupter (GFCI) protected supply.** Use of an GFCI reduces the risk of electric shock.

### 3) Personal safety

- a) **Stay alert, watch what you are doing and use common sense when operating a power tool. Do not use a power tool while you are tired or under the influence of drugs, alcohol or medication.** A moment of inattention while operating power tools may result in serious personal injury.
- b) **Use personal protective equipment. Always wear eye protection.** Protective equipment such as dust mask, non-skid safety shoes, hard hat, or hearing protection used for appropriate conditions will reduce personal injuries.

- c) **Prevent unintentional starting. Ensure the switch is in the off-position before connecting to power source and/or battery pack, picking up or carrying the tool.** Carrying power tools with your finger on the switch or energising power tools that have the switch on invites accidents.
  - d) **Remove any adjusting key or wrench before turning the power tool on.** A wrench or a key left attached to a rotating part of the power tool may result in personal injury.
  - e) **Do not overreach. Keep proper footing and balance at all times.** This enables better control of the power tool in unexpected situations.
  - f) **Dress properly. Do not wear loose clothing or jewelery. Keep your hair, clothing and gloves away from moving parts.** Loose clothes, jewelry or long hair can be caught in moving parts.
  - g) **If devices are provided for the connection of dust extraction and collection facilities, ensure these are connected and properly used.** Use of dust collection can reduce dust-related hazards.
- 4) **Power tool use and care**
- a) **Do not force the power tool. Use the correct power tool for your application.** The correct power tool will do the job better and safer at the rate for which it was designed.
  - b) **Do not use the power tool if the switch does not turn it on and off.** Any power tool that cannot be controlled with the switch is dangerous and must be repaired.
- 5) **Service**
- a) **Have your power tool serviced by a qualified repair person using only identical replacement parts.** This will ensure that the safety of the power tool is maintained.
- c) **Disconnect the plug from the power source and/or the battery pack from the power tool before making any adjustments, changing accessories, or storing power tools.** Such preventive safety measures reduce the risk of starting the power tool accidentally.
- d) **Store idle power tools out of the reach of children and do not allow persons unfamiliar with the power tool or these instructions to operate the power tool.** Power tools are dangerous in the hands of untrained users.
- e) **Maintain power tools. Check for misalignment or binding of moving parts, breakage of parts and any other condition that may affect the power tool's operation. If damaged, have the power tool repaired before use.** Many accidents are caused by poorly maintained power tools.
- f) **Keep cutting tools sharp and clean.** Properly maintained cutting tools with sharp cutting edges are less likely to bind and are easier to control.
- g) **Use the power tool, accessories and tool bits etc. in accordance with these instructions, taking into account the working conditions and the work to be performed.** Use of the power tool for operations different from those intended could result in a hazardous situation.

## Special safety instructions.

**Wear personal protective equipment. Depending on application, use a face shield, safety goggles or safety glasses. As appropriate, wear dust mask, hearing protectors, gloves and workshop apron capable of stopping small abrasive or work piece fragments.** The eye protection must be capable of stopping flying debris generated by vari-

ous operations. The dust mask or respirator must be capable of filtrating particles generated by your operation. Prolonged exposure to high intensity noise may cause hearing loss.

**When there is danger of falling down, secure the machine using the provided safety strap; especially when working aloft, on vertical building elements or overhead.** In case of a power failure or when the mains plug is pulled, the magnetic holding power is not maintained.

**When working overhead or on vertical surfaces, the coolant container must not be used.** Use Slugger Cutting Paste instead. Liquids penetrating your electric power tool may cause electric shock.

**Avoid touching the drilled core that is automatically ejected by the pilot pin when the working procedure is finished.** Contact with the core when it is hot, or if it falls, can cause personal injuries.

**Operate the power tool only from grounded contact sockets that comply with the specifications. Do not use any connection cables that are damaged; use extension cables with a grounded contact that are checked at regular intervals.** A ground conductor without continuity can cause an electric shock.

**To prevent injuries, always keep your hands, clothing, etc. away from rotating swarf.** The swarf can cause injuries. Always use the chipping protector.

**Do not attempt to remove the cutting tool if it still turns.** This can lead to serious injuries.

## Handling hazardous dusts.

**⚠ WARNING** **When working with power tools, such as when grinding, sanding, polishing, sawing or for other work procedures where material is removed, dusts develop that are both hazardous to one's health and can spontaneously combust or be explosive.**

Contact with or inhaling some dust types can trigger allergic reactions to the operator or bystanders and/or lead to respiratory infections, cancer, birth defects or other reproductive harm.

Examples of such materials which contain chemicals that can produce hazardous dusts, are:

**Hold power tool by insulated gripping surfaces when performing an operation where the cutting accessory may contact hidden wiring or its own cord.** Cutting accessory contacting a "live" wire will make exposed metal parts of the power tool "live" and shock the operator.

**Beware of any concealed electric cables, gas or water conduits.** Check the working area before commencing work, e. g. with a metal detector.

**Do not rivet or screw any name-plates or signs onto the power tool.** If the insulation is damaged, protection against an electric shock will be ineffective. Adhesive labels are recommended.

**Do not use accessories which are not specifically designed and recommended by the power tool manufacturer.** Safe operation is not ensured merely because an accessory fits your power tool.

**Clean the ventilation openings on the power tool at regular intervals using non-metal tools.** The blower of the motor draws dust into the housing. An excessive accumulation of metallic dust can cause an electrical hazard.

**Before putting into operation, check the power connection and the power plug for damage.**

**Recommendation: The tool should always be supplied with power via a ground fault circuit interrupter (GFCI) with a rated current of 30 mA or less.**

- Asbestos and materials containing asbestos;
- Lead-containing coatings, some wood types such as beech and oak;
- Minerals and metal;
- Silicate particles from bricks, concrete and other materials containing stone;
- Solvent from solvent-containing paint/varnish;
- Arsenic, chromium and other wood preservatives;
- Materials for pesticide treatment on boat and ship hulls;
- Stainless steel dust, metal dust and non-ferrous metal dust;

To minimize the unwanted intake of these materials:

- Use dust extraction matched appropriately for the developing dust.
- Use personal protective equipment, such as a P2 filter-class dust protection mask.
- Provide for good ventilation of the workplace.

The risk from inhaling dusts depends on how often these materials are worked. Materials containing asbestos may only be worked on by specialists.

**CAUTION** **Wood and light-metal dust can cause spontaneous combustion or explosions.**

Hot mixtures of sanding dust and paint/varnish residuals or other chemical materials in the filter bag or the vac filter can self-ignite under unfavourable conditions, such as sparking from sanding metal, continuous sunlight or high ambient temperatures. To prevent this:

- Avoid overheating the material being sanded and the power tool.
- Empty the dust collector/container routinely.
- Observe the material manufacturer's working instructions.
- Observe the relevant regulations for the materials being worked.

## Emission values for sound (Two-figure – specifications as per ISO 4871)

### Sound emission

A-weighted emission pressure power level measured at the workplace  $L_{pA}$  (re 20  $\mu$ Pa), in decibels 87.5

Measuring uncertainty  $K_{pA}$ , in decibels 5

Measured A-weighted sound power level  $L_{wA}$  (re 1 pW), in decibels 98.5

Measuring uncertainty  $K_{wA}$ , in decibels 5

C-weighted peak sound pressure level measured at the workplace  $L_{pCpeak}$  in decibels 100.1

Measuring uncertainty  $K_{pCpeak}$  in decibels 5

REMARK: The sum of the measured emission value and respective measuring inaccuracy represents the upper limit of the values that can occur during measuring.



Wear hearing protection!

Measured values determined in accordance with the corresponding product standard.

## Extension cable.

**WARNING** **If the use of an extension cord is required, its length and conductor cross-section must be adequate for the application in order to prevent a voltage drop in the extension cord, power loss and overheating of the power tool.** Otherwise, the extension cable and power tool are prone to electrical danger, and the working efficiency is decreased.

**Recommended dimensions of extension cords at an operating voltage of 120 V – single-phase a. c., with only JHM USA 101 X connected:**

Max. cable length, ft			Max. cable length, m		
≤ 100	100 –200	200 –300	≤ 30	30 – 60	60 –100
Min. conductor size A.W.G.			Min. conductor-cross-section, mm <sup>2</sup>		
16	14	12	1.5	2.5	4

## Intended use of the power tool:














Magnetic base drill for drilling with annular cutting tools on ferrous materials in controlled environments using the cutting tools and accessories recommended by the manufacturer.

## Operation of the power tool off power generators.

⚠ This power tool is also suitable for use with AC generators with sufficient power output that correspond to the Standard ISO 8528, design type G2. This Standard is particularly not complied with when the so-called distortion factor exceeds 10 %. When in doubt, please refer to the generator instruction/specification guide.

**⚠ WARNING** Operating the power tool off power generators whose no-load speed exceeds the voltage value on the type plate of the power tool is prohibited.

## Symbols.

Symbol, character	Explanation
	Do not touch the rotating parts of the power tool.
	Observe the instructions in the text or graphic opposite!
	Observe the instructions in the text or graphic opposite!
	Make sure to read the enclosed documents such as the Instruction Manual and the General Safety Instructions.
	Before commencing this working step, pull the power plug out of the socket. Otherwise there will be danger of injury if the power tool should start unintentionally.
	Use eye protection during operation.
	Use ear protection during operation.
 C US	This symbol confirms the certification of this product for the USA and Canada.
	This sign warns of a directly imminent, dangerous situation. A false reaction can cause a severe or fatal injury.
	This sign indicates a possible dangerous situation that could cause severe or fatal injury.
	This sign warns of a possible dangerous situation that could cause injury.
	Worn out power tools and other electrotechnical and electrical products should be sorted separately for environmentally-friendly recycling.
	Product with basic insulation and exposed, conductive parts additionally connected to the ground conductor.

Symbol, character	Explanation
I	Switching on
O	Switching off
~ or a. c.	Alternating current
1 ~	Alternating current, single-phase

Character	Unit of measurement, national	Explanation
<i>n</i>	rpm; /min; min <sup>-1</sup> ; r/min	Rated speed
<i>P</i>	W	Electrical power
	°	Angle width
<i>U</i>	V	Electric voltage
<i>f</i>	Hz	Frequency
<i>I</i>	A	Electric current intensity
<i>m</i>	lbs	Mass
<i>l</i>	ft, in	Length, width, height, depth, diameter or thread
Ø	ft, in	Diameter of a round part
	m, s, kg, A, mm, V, W, Hz, N, °C, dB, min, m/s <sup>2</sup>	Basic and derived units of measurement from the international system of units <b>SI</b> .



## Technical description and specifications.

### ⚠ WARNING

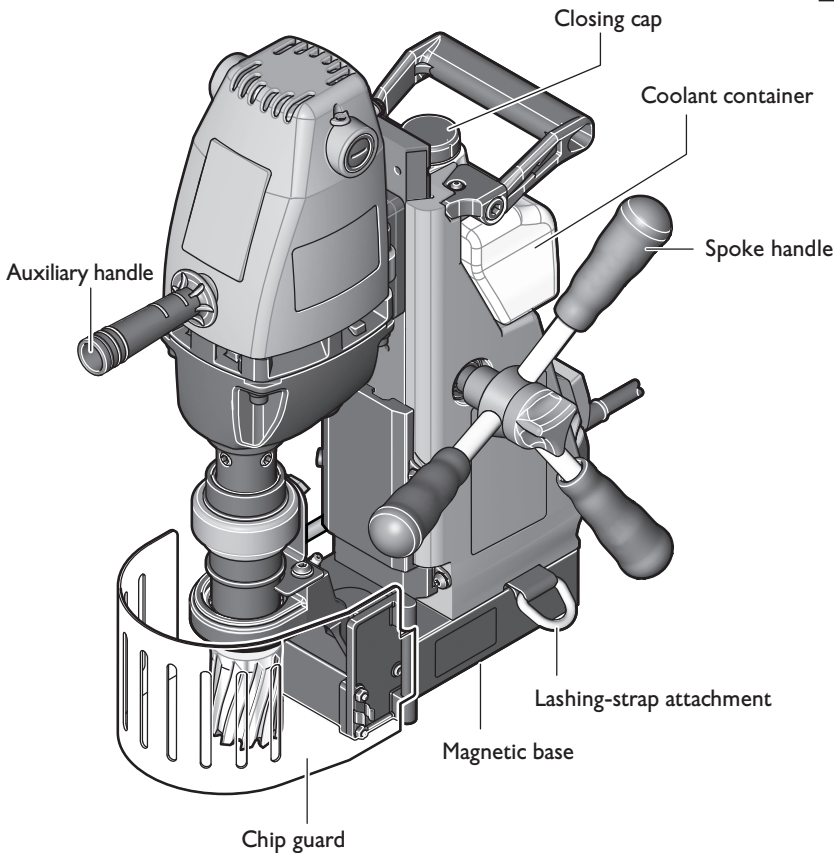
**Before mounting or replacing cutting tool or accessories, pull the power plug.**

This preventive safety measure rules out the danger of injuries through accidental starting of the power tool.



Not all accessories described or shown in this instruction manual will be included with your power tool.

Fig. 1



### Type

**JHM USA 101 X**

Order number

7 272 ... / 7 273 ...

Current consumption

9.4 A

Rated speed

480 /min

Weight according to EPTA-Procedure 01

26.5 lbs / 30.9 lbs  
(12.0 kg) / (14.0 kg)

Class of protection

I

## Assembly instructions.

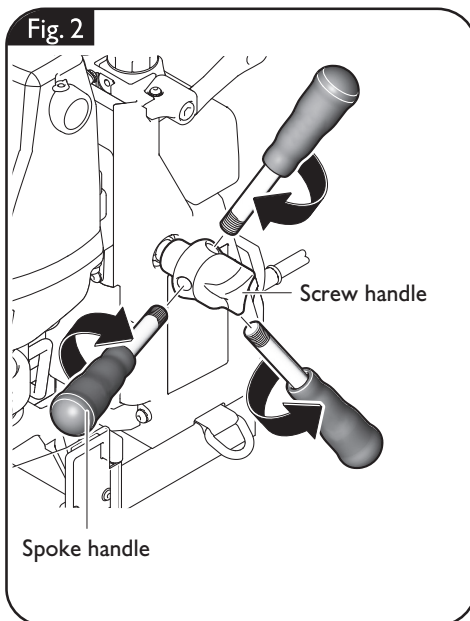
### ⚠ WARNING

**Before mounting or replacing cutting tool or accessories, pull the power plug.** This preventive safety measure rules out the danger of injuries through accidental starting of the power tool.

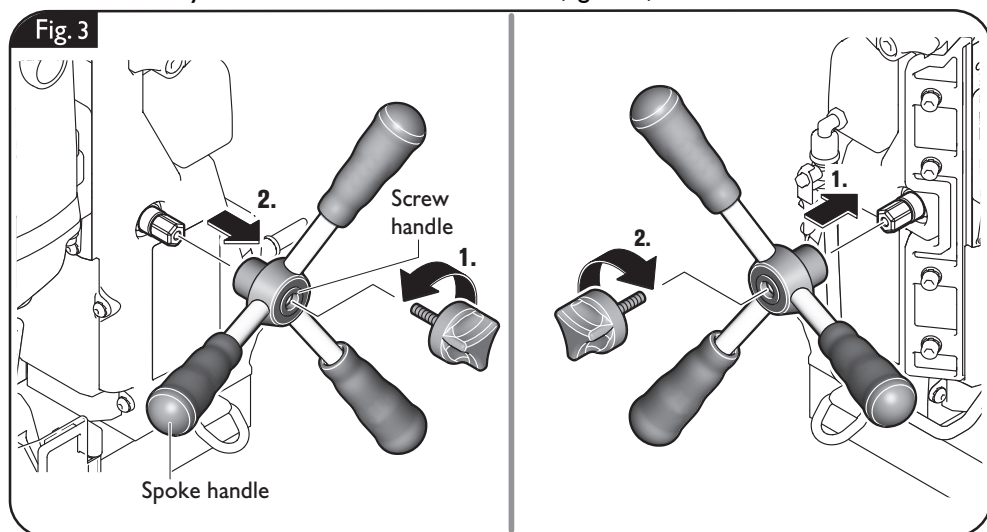


### Mounting the spoke handles (figure 2).

Thread the three spoke handles into the hub assembly.

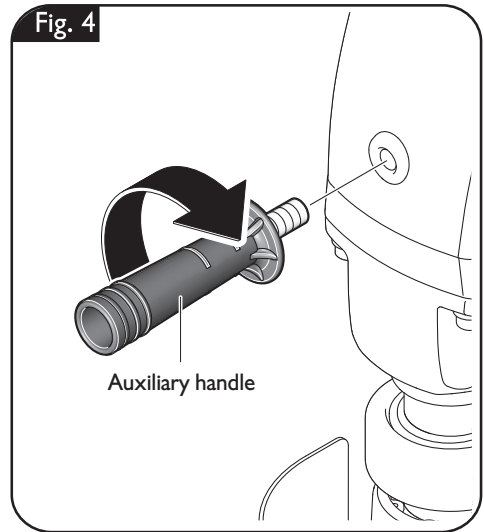


The hub assembly can be mounted on either side. (figure 3)



## Mounting the auxiliary handle (figure 4).

Screw in and firmly tighten the auxiliary handle.



## Filling the coolant container (figure 5).

**⚠ WARNING** Prevent the flow of liquid along the cable into the socket outlet or into the core drill unit, as this can lead to electric shock. Tie a bow in the cable near the plug, so that any liquid can drip off.

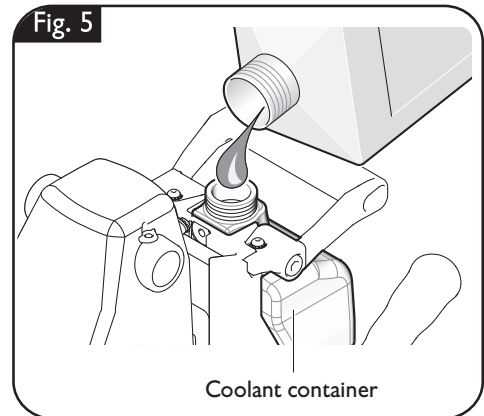
Unscrew the cap from the coolant container.

Fill with water soluble cutting fluid like Slugger Cutting Fluid.

Replace the cap back onto the coolant container.

Do not use the magnetic core drill unit when the cooling-lubricant system is defective.

**Each time before operating**, check for tightness against leaks and for cracks in the hoses. Prevent liquids from entering or penetrating electrical components.



## Changing the tool (figure 6).

**⚠ WARNING** When there is danger of falling down, secure the machine using the provided safety strap; especially when working aloft, on vertical building elements or overhead. In case of a power failure or when the mains plug is pulled, the magnetic holding power is not maintained.

**⚠ WARNING** Before mounting or replacing cutting tool or accessories, pull the power plug. This preventive safety measure rules

out the danger of injuries through accidental starting of the power tool.

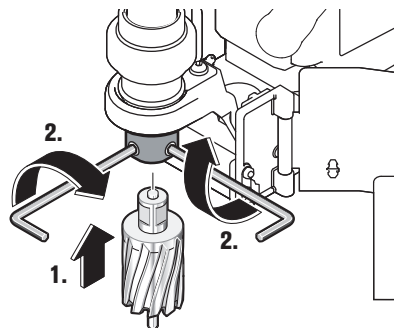
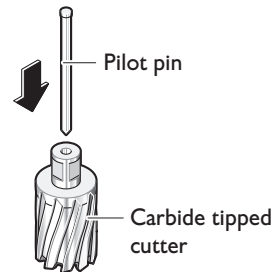
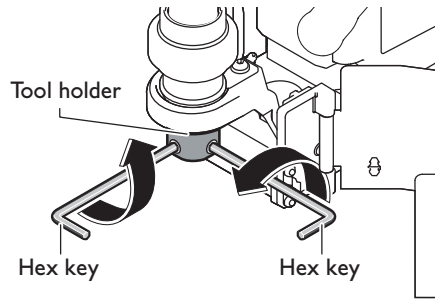
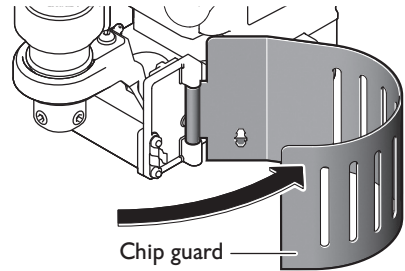
Rotate the chip guard away from the arbor. Loosen both screws of the tool holder using the hex key.

Insert the pilot pin into the cutter.

Insert the cutter with the pilot pin into the tool holder.

Tighten both screws of the tool holder onto the flats of the cutting tool using the hex key.

Fig. 6

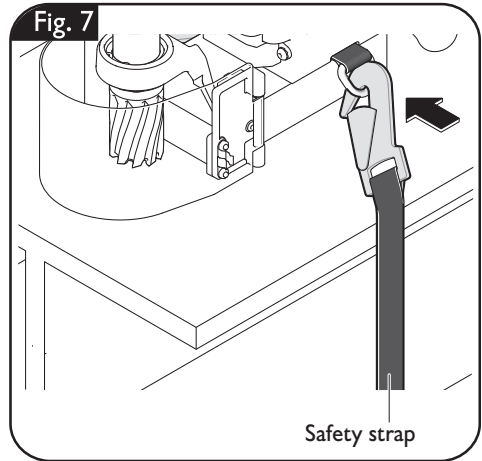


## Working instructions.

**⚠ WARNING** When there is danger of falling down, secure the machine using the provided safety strap; especially when working aloft, on vertical building elements or overhead. In case of a power failure or when the mains plug is pulled, the magnetic holding power is not maintained.

### Fastening the safety strap (figure 7).

Always fasten the machine securely around the workpiece using the provided safety strap.

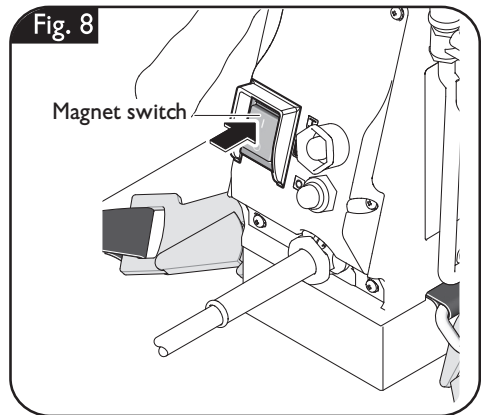


### For switching the magnet ON (figure 8).

- ❗ Please make sure that the contact surface for the magnetic base is level, clean and rust-free. Remove any varnish or primer.
- ❗ When working, always use the magnetic base; ensure that the magnetic holding power is sufficient.

When working on materials that are non-ferrous, suitable fixation devices obtainable as accessories from the manufacturer, e. g. suction plates, vacuum plates or pipe-drilling devices must be used.

When working on steel materials with a material thickness of less than 12 mm / 1/2 in, the workpiece must be reinforced with an additional steel plate in order to guarantee the magnetic holding power. Press the magnet switch to energize the magnet.



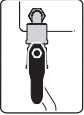
## Activating and deactivating the coolant-lubricant flow (figure 9).

The coolant level can be checked in the groove of the drilling shaft.

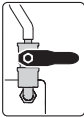
Switch the coolant lubricant flow off as soon as the level is slightly below the opening.

The coolant in the drilling shaft is sufficient for one drilling operation.

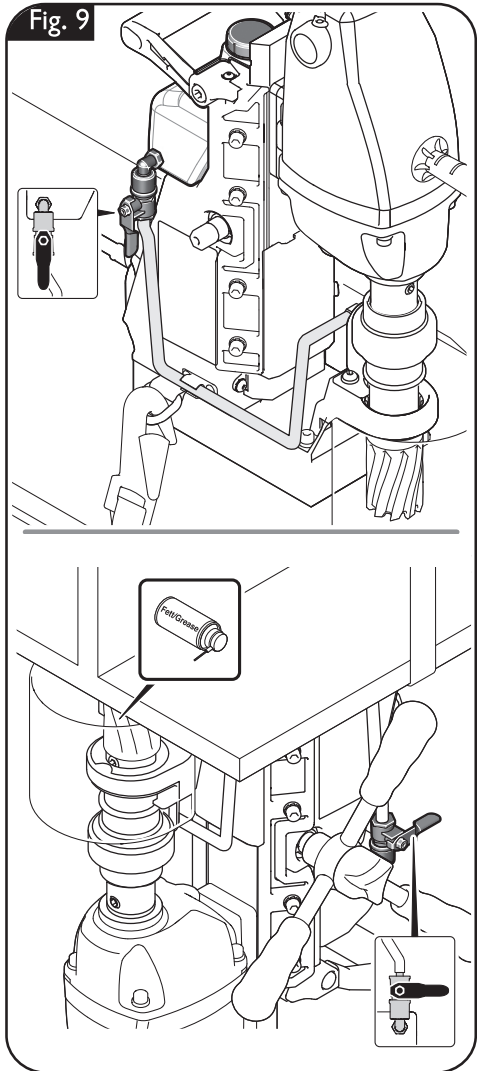
Prior to the next drilling operation, activate and deactivate the coolant lubricant flow as described.



To activate the coolant-lubricant flow, turn the lever to the position shown.



When working overhead, deactivate the coolant-lubricant flow. Turn the lever to the position shown.



## Starting and stopping the drill motor (figure 10).

### Starting:

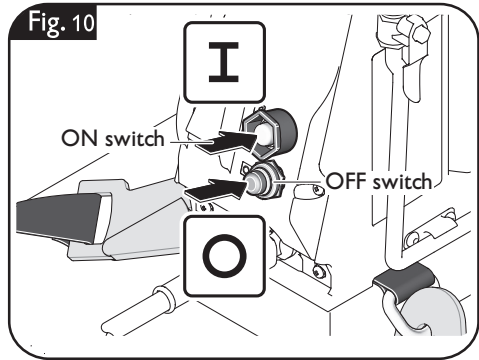
Switch the motor switch ON.

### Stopping:

Switch the motor switch OFF.

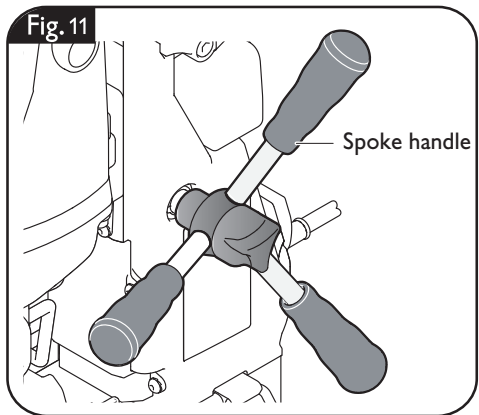
### Shutting magnet OFF:

Switch off the magnet with the magnet power switch.



## Feed (figure 11).

Feed using the spoke handle.



## Instructions for core drilling.

Do not stop the drill motor during the drilling procedure.

Only remove the cutting tool from the hole while the motor is running.

After each drilling operation, remove the chips and the slug.

⚠ Do not touch the chips with your bare hand. Always use a chip hook.

**CAUTION** Chips are sharp and hot!

When changing a cutting tool, pay attention not to damage the cutting edges.

When core drilling layered material, use a Slugger ID sharpened cutter for stack drilling.

## Repair and customer service.

### ⚠ WARNING

**Before mounting or replacing cutting tool or accessories, pull the power plug.**

This preventive safety measure rules out the danger of injuries through accidental starting of the power tool.



### Exchangeable parts

**If required, you can change the following parts yourself:**

Application tools, coolant container, handle, chip guard, safety strap

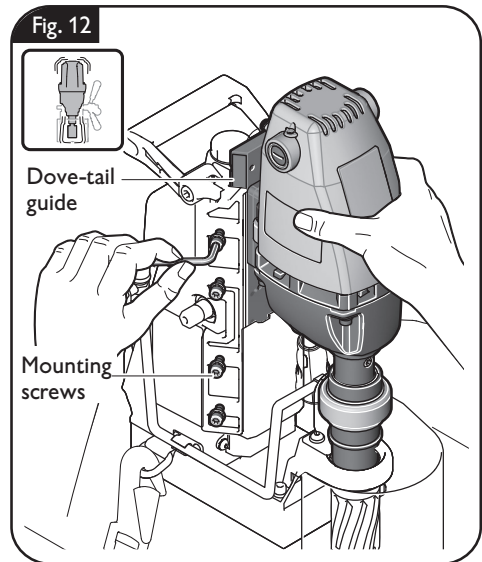
### Dove-tail guide (figure 12).

After several hours of operation, the play in the dove-tail guide can increase. As a consequence, the drill motor can glide along the dove-tail guide by itself. This can lead to the motor drifting down and damaging the cutting tool. In this case, retighten all fastening screws of the dove-tail guide correspondingly so that the drilling motor can easily be moved manually, yet does not glide by itself.

### Cooling-lubricant system.

Flush the cooling-lubricant system with water, clean and drain it completely when not using the machine for periods longer than two weeks.

For continuous operation, the cooling-lubricant system must be flushed with water and cleaned approx. every 4 weeks.





## Service.

**⚠ WARNING** Have maintenance carried out only through qualified personnel. Incorrectly mounted cables and components can cause serious injuries.

Have the required service carried out only through an authorized Slugger repair facility.

**⚠ CAUTION** When replacing the power tool's protective cable bushing or cord between the drill stand and drill motor is required, this must be carried out by Slugger or by an authorized Slugger Service Agent, in order to avoid hazardous situations.

The current spare parts list for this power tool can be found in the Internet at [www.fein.com](http://www.fein.com).

## Cleaning.

**⚠ WARNING** Prior to any cleaning or maintenance, disconnect the power tool from the power supply in order to avoid accidents.



**⚠ WARNING** When using in environments with conductive dust in the air, such as when working metals, this dust can settle in the interior of the power tool. This can impair the total insulation of the power tool. Therefore, regularly blow out the interior of the power tool from outside via the ventilation openings with dry, oil-free compressed air; always wear eye protection when doing this. For additional protection, connect a residual current device (RCD) on the line side.

**⚠ CAUTION** Do not attempt to clean clogged or dirty ventilation openings of the power tool with pointed metal objects; use nonmetal tools or objects if necessary.

**⚠ CAUTION** Do not use cleaning agents and solvents that can cause damage to plastic parts. These include: Gasoline, carbon-tetrachloride, chloric solvents, ammonia and domestic cleaning agents that contain ammonia.

## Warranty and liability.

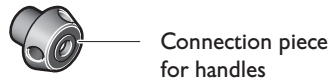
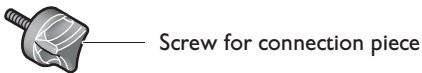
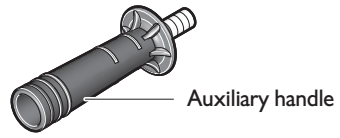
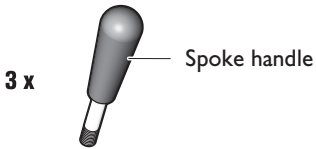
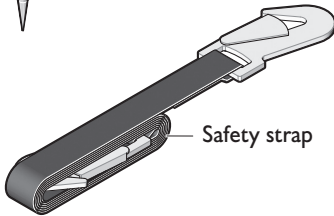
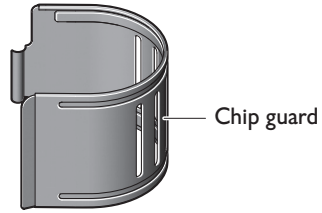
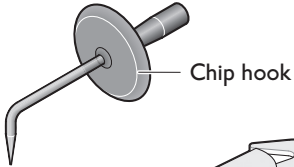
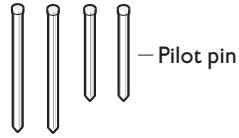
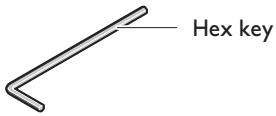
The warranty for the product is valid in accordance with the legal regulations in the country where it is marketed.

## Environmental protection, disposal.

Packaging worn out power tools and accessories should be sorted for environmentally friendly recycling. Further information can be obtained from your dealer.

**Provided accessories (figure 13).**

Fig.13



## Pour votre sécurité.

### **⚠ AVERTISSEMENT** Lisez tous les avertissements de sécurité et

toutes les instructions. Ne pas suivre les avertissements et instructions peut donner lieu à une électrocution, un incendie et/ou une blessure sérieuse.

### **Conservez tous les avertissements et toutes les instructions pour pouvoir vous y reporter ultérieurement.**

**🔌** Ne pas utiliser cet outil électrique avant d'avoir soigneusement lu et parfaitement compris cette notice d'utilisation y compris les figures, les spécifications, les consignes de sécurité ainsi que les indications marquées par DANGER, AVERTISSEMENT et ATTENTION.

N'utiliser cet outil électrique que pour les travaux pour lesquels il a été conçu par le fabricant. N'utiliser que des outils de travail et accessoires autorisés par le fabricant.

De même, respectez les dispositions concernant la prévention des accidents du travail en vigueur dans le pays en question. Le non-respect des instructions de sécurité se trouvant dans la documentation mentionnée peut entraîner un choc électrique, un incendie et/ou de graves blessures.

Bien garder cette notice d'utilisation en vue d'une utilisation ultérieure ; elle doit être jointe à l'appareil en cas de transmission ou de vente à une tierce personne.

### **GARDER SOIGNEUSEMENT CES INSTRUCTIONS DE SECURITE.**

Le terme « outil électrique » dans les consignes de sécurité fait référence à votre outil électrique alimenté par le secteur (avec cordon d'alimentation) ou votre outil fonctionnant sur batterie (sans cordon d'alimentation).

## Instructions générales de sécurité.

### 1) Zone de travail

**a) Conserver la zone de travail propre et bien éclairée.** Les zones en désordre ou sombres sont propices aux accidents.

**b) Ne pas faire fonctionner les outils électrique en atmosphère explosive, par exemple en présence de liquides inflammables, de gaz ou de poussières.** Les outils électroportatifs produisent des étincelles qui peuvent enflammer les poussières ou les fumées.

**c) Maintenir les enfants et les personnes présentes à l'écart pendant l'utilisation de l'outil.** Les distractions peuvent vous faire perdre le contrôle de l'outil.

### 2) Sécurité électrique

**a) Il faut que les fiches de l'outil électrique soient adaptées au socle. Ne jamais modifier la fiche de quelque façon que ce soit. Ne pas utiliser d'adaptateurs avec des outils à branchement de terre.** Des fiches non modifiées et des socles adaptés réduiront le risque de choc électrique.

**b) Eviter tout contact du corps avec des surfaces reliées à la terre telles que les tuyaux, les radiateurs, les cuisinières et les réfrigérateurs.** Il existe un risque accru de choc électrique si votre corps est relié à la terre.

**c) Ne pas exposer les outils à la pluie ou à des conditions humides.** La pénétration d'eau à l'intérieur d'un outil augmentera le risque de choc électrique.

**d) Ne pas maltraiter le cordon. Ne jamais utiliser le cordon pour porter, tirer ou débrancher l'outil. Maintenir le cordon à l'écart de la chaleur, du lubrifiant, des arêtes ou des parties en mouvement.** Des cordons endommagés ou emmêlés augmentent le risque de choc électrique.

**e) Lorsqu'on utilise un outil à l'extérieur, utiliser un prolongateur adapté à l'utilisation extérieure.** L'utilisation d'un cordon adapté à l'utilisation extérieure réduit le risque de choc électrique.

**f) Si l'usage d'un outil dans un emplacement humide est inévitable, utilisez une alimentation protégée par un dispositif à courant différentiel résiduel (RCD).** L'usage d'un RCD réduit le risque de choc électrique.

### 3) Sécurité des personnes

- a) **Rester vigilant, regarder ce que vous êtes en train de faire. Faire preuve de bon sens dans votre utilisation de l'outil. Ne pas utiliser un outil lorsque vous êtes fatigué ou sous l'emprise de drogues, d'alcool ou de médicaments.** Un moment d'inattention en cours d'utilisation d'un outil peut entraîner des blessures graves des personnes.
- b) **Utiliser un équipement de sécurité. Toujours porter une protection pour les yeux.** Les équipements de sécurité tels que les masques contre les poussières, les chaussures de sécurité antidérapantes, les casques ou les protections acoustiques utilisés pour les conditions appropriées réduiront les blessures de personnes.
- c) **Éviter tout démarrage intempestif. S'assurer que l'interrupteur est en position arrêt avant de retirer la fiche de la prise de courant.** Porter les outils en ayant le doigt sur l'interrupteur ou brancher des outils dont l'interrupteur est en position marche est source d'accidents.
- d) **Retirer toute clé de réglage avant de mettre l'outil en marche.** Une clé laissée fixée sur une partie tournante de l'outil peut donner lieu à des blessures de personnes.
- e) **Ne pas se précipiter. Garder une position et un équilibre adaptés à tout moment.** Cela permet un meilleur contrôle de l'outil dans des situations inattendues.
- f) **S'habiller de manière adaptée. Ne pas porter de vêtements amples ou de bijoux. Garder les cheveux, les vêtements et les gants à distance des parties en mouvement.** Des vêtements amples, des bijoux ou les cheveux longs peuvent être pris dans des parties en mouvement.
- g) **Si des dispositifs sont fournis pour le raccordement d'équipements pour l'extraction et la récupération des poussières, s'assurer qu'ils sont connectés et correctement utilisés.** Utiliser des collecteurs de poussière peut réduire les risques dus aux poussières.

### 4) Utilisation et entretien de l'outil

- a) **Ne pas forcer l'outil. Utiliser l'outil adapté à votre application.** L'outil adapté réalisera mieux le travail et de manière plus sûre au régime pour lequel il a été construit.
- b) **Ne pas utiliser l'outil si l'interrupteur ne permet pas de passer de l'état de marche à arrêt et vice versa.** Tout outil qui ne peut pas être commandé par l'interrupteur est dangereux et il faut le réparer.
- c) **Débrancher la fiche de la source d'alimentation en courant et/ou le bloc de batteries de l'outil avant tout réglage, changement d'accessoires ou avant de ranger l'outil.** De telles mesures de sécurité préventives réduisent le risque de démarrage accidentel de l'outil.
- d) **Conserver les outils à l'arrêt hors de la portée des enfants. Ne pas permettre à des personnes ne connaissant pas l'outil ou les présentes instructions de le faire fonctionner.** Les outils sont dangereux entre les mains d'utilisateurs novices.
- e) **Observer la maintenance de l'outil. Vérifier qu'il n'y a pas de mauvais alignement ou de blocage des parties mobiles, des pièces cassées ou toute autre condition pouvant affecter le fonctionnement de l'outil. En cas de dommages, faire réparer l'outil avant de l'utiliser.** De nombreux accidents sont dus à des outils mal entretenus.
- f) **Garder affûtés et propres les outils permettant de couper.** Des outils destinés à couper correctement entretenus avec des pièces coupantes tranchantes sont moins susceptibles de bloquer et sont plus faciles à contrôler.
- g) **Utiliser l'outil, les accessoires et les lames etc., conformément à ces instructions et aux prescriptions en vigueur pour ce type d'appareil. Tenir compte également des conditions de travail et du travail à réaliser.** L'utilisation de l'outil pour des opérations différentes de celles prévues pourrait donner lieu à des situations dangereuses.

## 5) Maintenance et entretien

a) **Faire entretenir l'outil par un réparateur qualifié utilisant uniquement des pièces de rechange identiques.** Cela assurera que la sécurité de l'outil est maintenue.

## Instructions particulières de sécurité.

**Porter un équipement de protection individuelle. En fonction de l'application, utiliser un écran facial, des lunettes de sécurité ou des verres de sécurité. Le cas échéant, utiliser un masque antipoussières, des protections auditives, des gants et un tablier capables d'arrêter les petits fragments abrasifs ou des pièces à usiner.** La protection oculaire doit être capable d'arrêter les débris volants produits par les diverses opérations. Le masque antipoussières ou le masque respiratoire doit être capable de filtrer les particules produites par vos travaux. L'exposition prolongée aux bruits de forte intensité peut provoquer une perte de l'audition.

**Lorsque l'outil électrique risque de tomber, le toujours bloquer à l'aide de la sangle fournie avec, surtout pour les travaux en hauteur, sur les éléments de construction verticaux ou situés au-dessus de la tête.** La force d'attraction magnétique n'est plus active lors d'une panne de courant ou lorsque l'appareil est débranché.

**Effectuez les travaux sur les éléments de construction verticaux ou au-dessus de la tête sans utiliser le réservoir du liquide de refroidissement.** Utilisez un spray refroidissant. Les liquides qui entreraient dans l'outil électroportatif peuvent causer un choc électrique.

**Évitez de toucher la carotte qui est automatiquement éjectée par la goupille de centrage quand le travail est terminé.** Le contact avec la carotte brûlante ou qui tombe peut entraîner des blessures.

**N'utilisez l'outil électrique qu'avec des prises de courant de sécurité conformes à la législation. N'utilisez que des câbles de raccordement en parfait état et des rallonges régulièrement contrôlées.** Un conducteur de protection discontinu peut entraîner un choc électrique.

**Maintenir vos mains, vêtements etc. toujours loin des copeaux en rotation pour éviter de vous blesser.** Les copeaux peuvent causer des blessures. Utilisez toujours le pare-copeaux.

**N'essayez pas d'enlever l'outil de travail tant qu'il est en rotation.** Ceci peut causer de blessures graves.

**Tenir l'outil par les surfaces de préhension isolées, lors de la réalisation d'une opération au cours de laquelle l'organe de coupe peut entrer en contact avec un câblage non apparent ou son propre cordon d'alimentation.** Le contact avec un fil « sous tension » peut également mettre « sous tension » les parties métalliques exposées de l'outil électrique et provoquer un choc électrique sur l'opérateur.

**Faites attention aux câbles électriques, conduites de gaz et d'eau éventuellement cachés.** Avant de commencer le travail, contrôlez la zone de travail à l'aide d'un détecteur de métaux par exemple.

**Il est interdit de visser ou de riveter des plaques ou des repères sur l'outil électrique.** Une isolation endommagée ne présente aucune protection contre une électrocution. Utilisez des autocollants.

**N'utilisez pas des accessoires qui n'ont pas été spécialement conçus ou autorisés par le fabricant de l'outil électrique.** Le seul fait qu'un accessoire puisse être monté sur votre outil électrique ne garantit pas une utilisation sans risque.

**Nettoyez régulièrement les ouïes de ventilation de l'outil électrique avec des outils non métalliques.** La ventilation du moteur aspire la poussière à l'intérieur du carter. Une trop grande quantité de poussière de métal accumulée peut provoquer des incidents électriques.

**Avant la mise en service, assurez-vous que le câble de raccordement et la fiche sont en parfait état.**

**Recommandation : Faites toujours fonctionner l'outil électrique sur un réseau électrique équipé d'un disjoncteur différentiel 30 mA max.**

## Maniement de poussières nocives.

**⚠ AVERTISSEMENT** Lors du travail avec des outils, par ex. lors du ponçage, polissage, sciage ou d'autres opérations enlevant du matériau, des poussières sont générées qui peuvent être nocives pour la santé, auto-inflammables ou explosives.

Toucher ou aspirer certaines poussières peut causer des réactions allergiques et/ou des maladies respiratoires, un cancer, des malformations à la naissance ou autres anomalies de reproduction auprès de l'utilisateur ou de personnes se trouvant à proximité.

Quelques exemples de tels matériaux et des produits chimiques qu'ils contiennent dont l'usinage génère des poussières nocives :

- l'amiante et les matériaux contenant de l'amiante ;
- peintures contenant du plomb, certains bois tels que le bois de chêne et de hêtre ;
- minéraux et métal ;
- les particules de silicate contenues dans les briques, le béton et autres matériaux contenant de la roche ;
- les solvants contenus dans les vernis et peintures ;
- l'arsenic, le chrome et d'autres lazures ;
- produits pour la lutte contre les vermines sur la coque de bateaux et de bâtiments ;
- poussières d'aciers fins, poussières de métaux et poussières de métaux non-ferreux.

Pour minimiser la résorption indésirable de ces matériaux :

- Utilisez une aspiration adaptée à la poussière générée.
- Utilisez des équipements personnels de protection tels que par exemple un masque anti-poussière de la classe filtre P2.
- Veillez à bien aérer la zone de travail.

Le risque causé par le fait d'aspirer des poussières dans les poumons dépend de la fréquence à laquelle ces matériaux sont travaillés. Les matériaux contenant de l'amiante ne doivent être travaillés que par des personnes qualifiées.

**⚠ ATTENTION** Les poussières de bois et les poussières de métaux légers peuvent causer une auto-inflammation ou une explosion.

Des mélanges chauds de poussières de ponçage contenant des résidus de vernis, de polyuréthane ou de produits chimiques dans le sac à poussières ou dans le filtre de l'aspirateur peuvent s'enflammer dans certaines conditions telles que projection d'étincelles lors du ponçage de métaux, rayonnement solaire direct permanent ou température ambiante élevée. Pour prévenir ces conditions :

- Évitez la surchauffe des matériaux travaillés et de l'outil électrique.
- Videz à temps le bac de récupération des poussières.
- Respectez les indications de travail du fabricant du matériau.
- Respectez les règlements en vigueur aux matériaux à traiter.

## Valeurs d'émission du niveau sonore (Indication à deux chiffres conformément à la norme ISO 4871)

### Emission acoustique

Mesure réelle (A) du niveau de pression acoustique sur le lieu de travail $L_{pA}$ (re 20 $\mu$ Pa), en décibel	87.5
Incertitude $K_{pA}$ , en décibel	5
Mesure réelle (A) du niveau d'intensité acoustique pondéré $L_{wA}$ (re 1 pW), en décibel	98.5
Incertitude $K_{wA}$ , en décibel	5
Mesure réelle (C) du niveau max. de pression acoustique sur le lieu de travail $L_{pCpeak}$ en décibel	100.1
Incertitude $K_{pCpeak}$ en décibel	5

REMARQUE : La somme de la valeur d'émission mesurée et de l'incertitude constitue la limite supérieure des valeurs qui peuvent apparaître pendant des mesurages.



Porter une protection acoustique !

Valeurs de mesure mesurées conformément à la norme correspondante du produit.

## Câble de rallonge.

### **AVERTISSEMENT**

**Au cas où une rallonge serait nécessaire, la longueur ainsi que la section du conducteur de celle-ci doivent être appropriées à l'utilisation afin d'éviter une baisse de tension dans la rallonge, une perte de puissance et une surchauffe de l'outil électrique.** Sinon la rallonge et l'outil électrique présentent des dangers électriques et l'efficacité du travail est entravée.

**Dimensions recommandées pour câbles de rallonge pour une tension de service de 120 V courant alternatif monophasé si seulement JHM USA 101 X est connecté :**

Longueur du câble en pieds			Longueur du câble en m		
≤ 100	100 - 200	200 - 300	≤ 30	30 - 60	60 - 100
Dimension min. du conducteur en format américain (A.W.G.)			Section min. du conducteur, mm <sup>2</sup>		
16	14	12	1.5	2.5	4

## Conception de l'outil électrique :


Unité de perçage de matériaux à surface magnétisable au moyen de fraises à carotter dans un environnement à l'abri des intempéries avec les outils de travail et les accessoires autorisés par le fabricant.

## Fonctionnement de l'outil électrique avec des générateurs de courant.

ⓘ Cet outil électrique est également conçu pour fonctionner sur des groupes électrogènes d'une puissance suffisante correspondant à la norme ISO 8528, classe de modèle G2. Cette norme n'est pas respectée si le facteur de distorsion harmonique dépasse 10 %. En cas de doute, informez-vous sur le groupe électrogène utilisé.

**⚠ AVERTISSEMENT** Il est interdit de faire fonctionner l'outil électrique sur des générateurs de courant dont la tension à vide dépasse la valeur de tension indiquée sur la plaque signalétique de l'outil électrique.

## Symboles.

Symbole, signe	Explication
	Ne pas toucher les éléments en rotation de l'outil électrique.
	Suivre les indications données dans le texte ou la représentation graphique ci-contre !
	Suivre les indications données dans le texte ou la représentation graphique ci-contre !
	Lire impérativement les documents ci-joints tels que la notice d'utilisation et les instructions générales de sécurité.
	Avant d'effectuer ce travail, retirez la fiche de la prise de courant. Sinon, il y a risque de blessures dû à un démarrage non intentionné de l'outil électrique.
	Lors des travaux, porter une protection oculaire.
	Lors des travaux, porter une protection acoustique.
	Ce symbole confirme la certification de ce produit aux Etats-Unis et au Canada.
	Cette indication met en garde contre une situation dangereuse imminente. Une mauvaise manipulation peut entraîner de graves blessures ou la mort.
	Cette indication indique une situation éventuellement dangereuse pouvant entraîner de graves blessures ou la mort.
	Cette indication met en garde contre une situation potentiellement dangereuse qui peut entraîner des blessures.
	Trier les outils électriques ainsi que tout autre produit électrotechnique et électrique et les déposer à un centre de recyclage respectant les directives relatives à la protection de l'environnement.
	Produit avec isolation de base et raccordement supplémentaire au conducteur de protection de tous les éléments conducteurs pouvant être touchés.



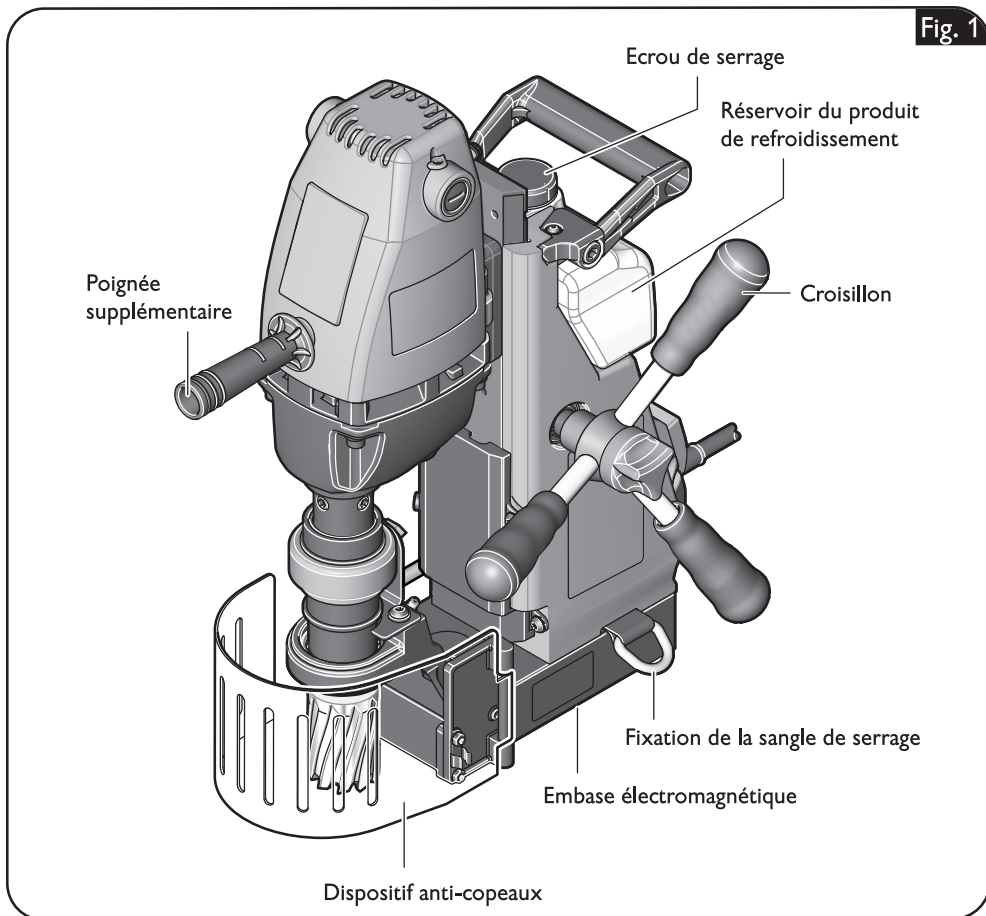
Symbole, signe	Explication
I	Mise en fonctionnement
O	Arrêt
~ ou a. c.	Courant alternatif
1 ~	Courant alternatif, monophasé

Signe	Unité nationale	Explication
<i>n</i>	rpm; /min; min <sup>-1</sup> ; r/min	Vitesse de référence
<i>P</i>	W	Unité de mesure pour la puissance électrique
	°	Unité de mesure pour la largeur d'angle
<i>U</i>	V	Unité de mesure pour la tension électrique
<i>f</i>	Hz	Unité de mesure pour la fréquence
<i>I</i>	A	Unité de mesure pour l'intensité du courant électrique
<i>m</i>	lbs	Unité de mesure pour la masse
<i>l</i>	ft, in	Unité de mesure pour longueur, largeur, hauteur, profondeur, diamètre ou filetage
Ø	ft, in	Diamètre d'un élément
	m, s, kg, A, mm, V, W, Hz, N, °C, dB, min, m/s <sup>2</sup>	Unités de base et unités dérivées du système international <b>SI</b> .

## Description technique et spécification.

**AVERTISSEMENT** Avant de commencer les travaux de montage ou avant de changer les outils de travail et les accessoires, retirer la fiche de secteur. Cette mesure de sécurité préventive exclut un danger de blessure causé par un démarrage non intentionné de l'outil électrique.

Il se peut que seule une partie des accessoires décrits ou représentés dans cette notice d'utilisation soit fournie avec l'outil électrique.



<b>Type</b>	<b>JHM USA 101 X</b>
Référence	7 272 ... / 7 273 ...
Courant absorbé	9.4 A
Vitesse de référence	480 tr/min
Poids suivant EPTA-Procedure 01	26.5 lbs / 30.9 lbs (12.0 kg) / (14.0 kg)
Classe de protection	I

## Indications de montage.

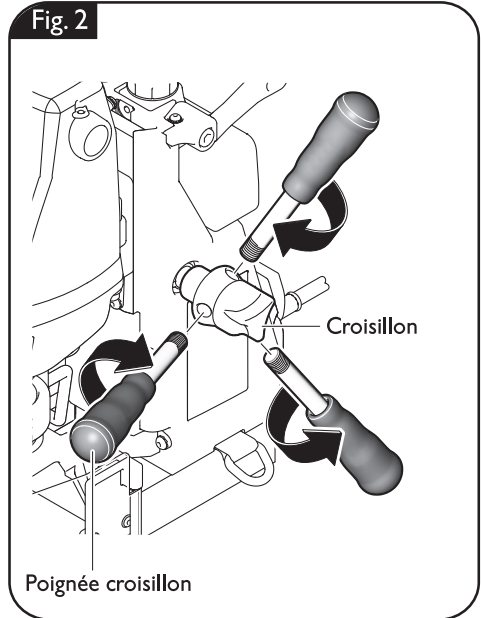
### ⚠ AVERTISSEMENT

Avant de commencer les travaux de montage ou avant de changer les outils de travail et les accessoires, retirer la fiche de secteur. Cette mesure de sécurité préventive exclut un danger de blessure causé par un démarrage non intentionné de l'outil électrique.

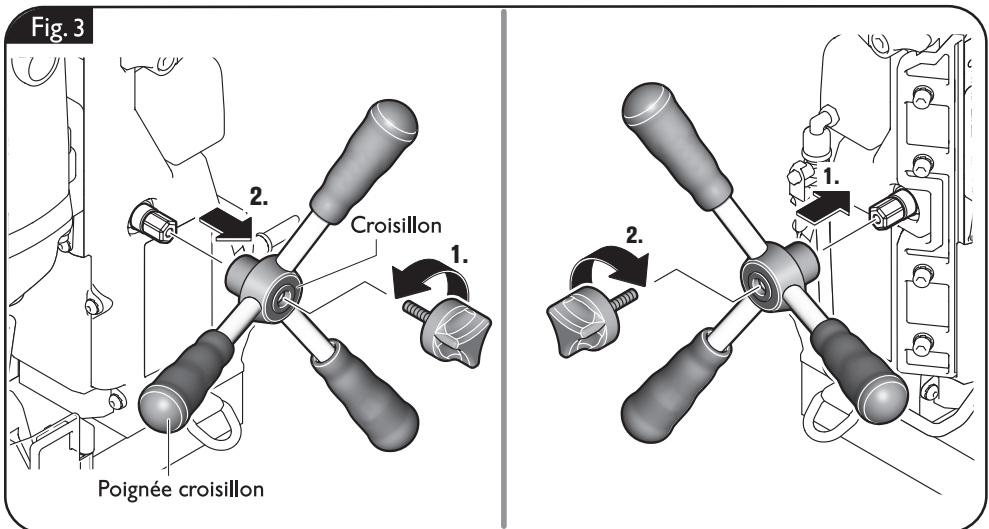


### Montage des poignées croisillon (figure 2).

Vissez les poignées dans les orifices prévus du croisillon.

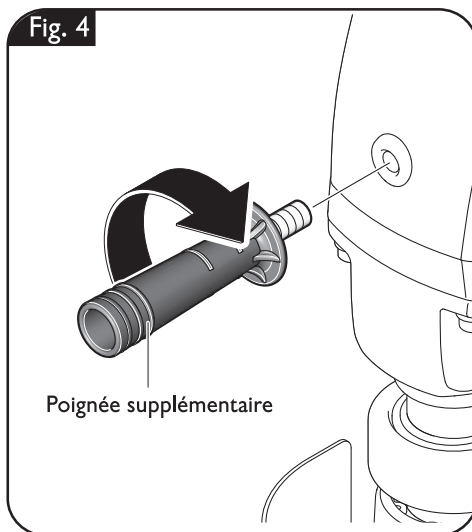


Le croisillon peut être monté des deux côtés. (figure 3)



## Montage de la poignée supplémentaire (figure 4).

Serrez la poignée supplémentaire.



## Remplissage du réservoir du liquide de refroidissement (figure 5).

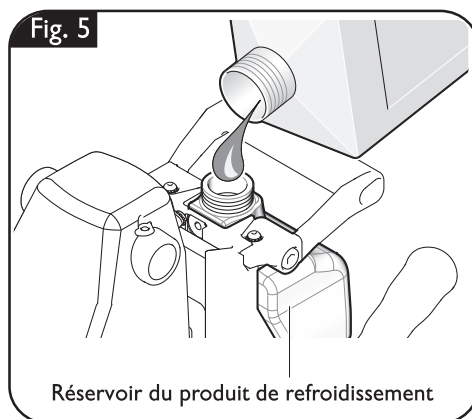
**AVERTISSEMENT** Évitez l'écoulement du liquide de refroidissement le long du câble dans la prise ou dans l'unité de perçage ; ceci peut causer un choc électrique. Faites une boucle avec le câble devant la prise pour permettre au liquide de s'égoutter.

Dévissez le capuchon du réservoir du liquide de refroidissement.

Remplissez d'un liquide de refroidissement pouvant être pompé, par ex. huile de coupe FEIN.

Montez le capuchon du réservoir du liquide de refroidissement.

Ne pas utiliser la carottière si le système de refroidissement est défectueux. **Avant chaque utilisation**, contrôler l'étanchéité et si les tuyaux flexibles présentent des fissures. Éviter la pénétration de liquide dans les éléments électriques.



## Changement d'outil (figure 6).

**⚠ AVERTISSEMENT** Lorsque l'outil électrique risque de tomber, le toujours bloquer à l'aide de la sangle fourneur, sur les éléments de construction verticaux ou situés au-dessus de la tête. La force d'attraction magnétique n'est plus active lors d'une panne de courant ou lorsque l'appareil est débranché.

**⚠ AVERTISSEMENT** Avant de commencer les travaux de montage ou avant de changer les outils de travail



et les accessoires, retirer la fiche de secteur. Cette mesure de sécurité préventive exclut un danger de blessure causé par un démarrage non intentionné de l'outil électrique.

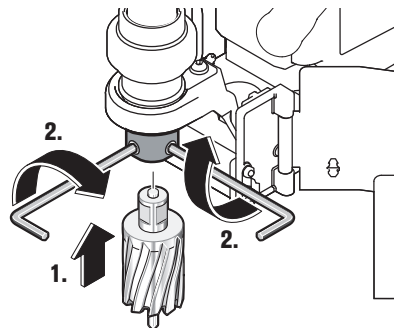
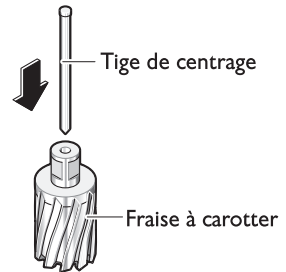
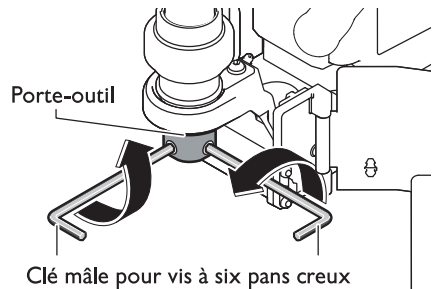
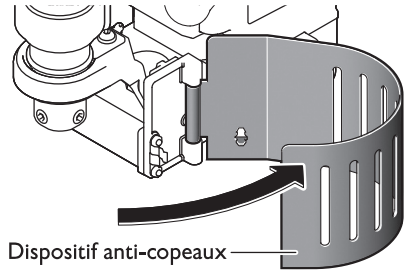
Ouvrez le pare-copeaux.

Desserrez les deux vis du porte-outil à l'aide d'une clé mâle pour vis à six pans creux. Faites passer la tige de centrage à travers la fraise à carotter.

Montez la fraise à carotter avec la tige de centrage dans le porte-outil.

Serrez les deux vis du porte-outil à l'aide de la clé mâle pour vis à six pans creux contre les surfaces de la tige de l'accessoire.

Fig. 6

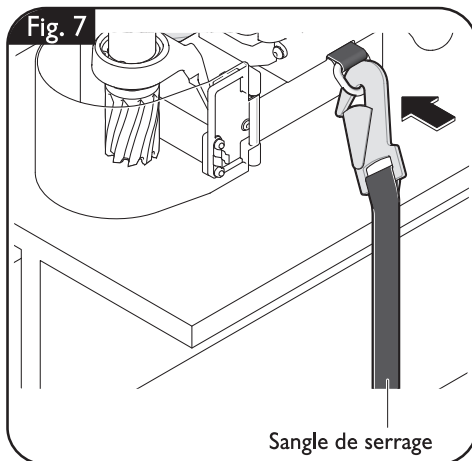


## Indications pour le travail.

**⚠ AVERTISSEMENT** Lorsque l'outil électrique risque de tomber, le toujours bloquer à l'aide de la sangle fournie avec, surtout pour les travaux en hauteur, sur les éléments de construction verticaux ou situés au-dessus de la tête. La force d'attraction magnétique n'est plus active lors d'une panne de courant ou lorsque l'appareil est débranché.

### Montage de la sangle de serrage (figure 7).

Bloquez la machine sur la pièce à l'aide de la sangle de serrage.



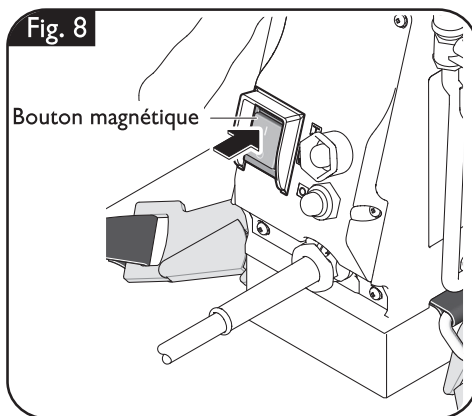
### Mise en marche de l'aimant (figure 8).

- ⓘ Veillez à ce que la surface sur laquelle est posée l'embase électromagnétique soit plane, propre et exempte de rouille. Enlevez les couches de vernis et de mastic.
- ⓘ Lors des travaux, utilisez toujours l'embase électromagnétique et veillez à ce que la force magnétique soit suffisante.

Pour les travaux sur les matériaux non ferreux, utilisez des dispositifs de fixation appropriés du fabricant, disponibles comme accessoires, tels que par ex. plaque à vide ou dispositif de perçage pour tuyaux.

Afin de garantir la force d'attraction magnétique également avec des matériaux en acier d'une épaisseur inférieure à 12 mm, renforcer la pièce à travailler par une plaque supplémentaire en acier.

Appuyez sur la touche magnétique pour la mise en service de l'outil.



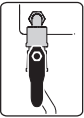
## Mise en marche ou arrêt du débit du produit de refroidissement (figure 9).

Vous pouvez voir le niveau du produit de refroidissement dans l'orifice longitudinal dans l'arbre de perçage.

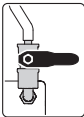
Dès que la pendule se trouve en-dessous de l'orifice, arrêtez le débit du produit de refroidissement.

Ceci indique qu'il y a suffisamment de produit de refroidissement dans l'arbre pour effectuer un perçage.

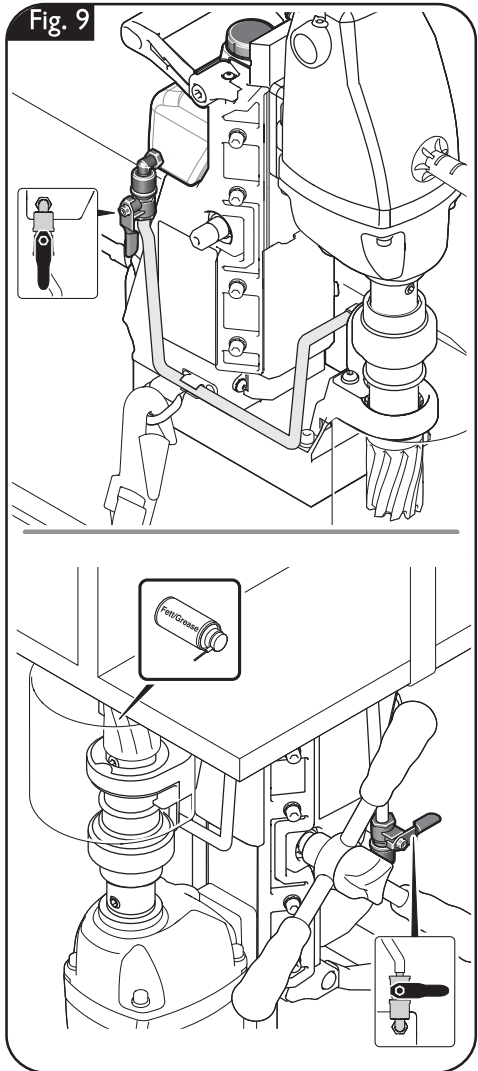
Avant d'effectuer le perçage suivant, ouvrez et fermez le débit du produit de refroidissement conformément à ces indications.



Pour activer le débit du produit de refroidissement, tournez le levier dans la position affichée.



Pour les travaux effectués au-dessus de la tête, arrêtez le débit du produit de refroidissement. Tournez le levier dans la position affichée.



## Démarrage et arrêt du moteur de carottage (figure 10).

### Démarrage :

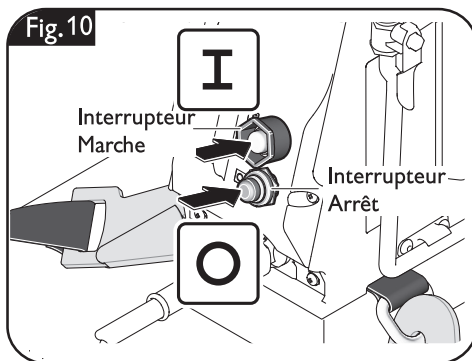
Appuyez sur l'interrupteur Marche.

### Arrêt :

Appuyez sur l'interrupteur Arrêt.

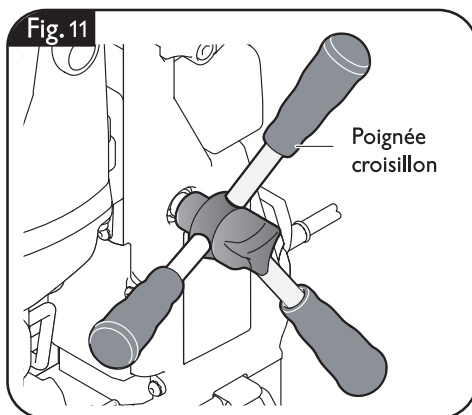
### Mise hors fonctionnement :

A l'aide du commutateur magnétique, désactivez l'aimant.



## Avance (figure 11).

Tournez la poignée croisillon.



## Indications pour les travaux de carottage.

N'arrêtez pas le moteur de carottage durant le processus de perçage.

Ne sortir l'outil coupant du perçage que lorsque le moteur tourne encore.

Enlevez les copeaux et la carotte après chaque opération de perçage.



Ne touchez pas les copeaux à la main. Utilisez toujours un crochet à copeaux.



Les copeaux sont brûlants et coupants !

Lors du remplacement de l'outil, ne pas endommager les arêtes de coupe.

Pour les travaux de carottage dans des matériaux composites, utilisez un foret Slugger rectifié au diamètre intérieur (DI), approprié pour les travaux de perçage de pièces empilées.



## Travaux d'entretien et service après-vente.

### ⚠ AVERTISSEMENT

**Avant de commencer les travaux de montage ou avant de changer les outils de travail et les accessoires, retirer la fiche de secteur.** Cette mesure de sécurité préventive exclut un danger de blessure causé par un démarrage non intentionné de l'outil électrique.



### Pièces remplaçables.

**Si nécessaire, vous pouvez vous-même remplacer les éléments suivants :**

Accessoires, réservoir du liquide de refroidissement, poignées, pare-copeaux, sangle de serrage

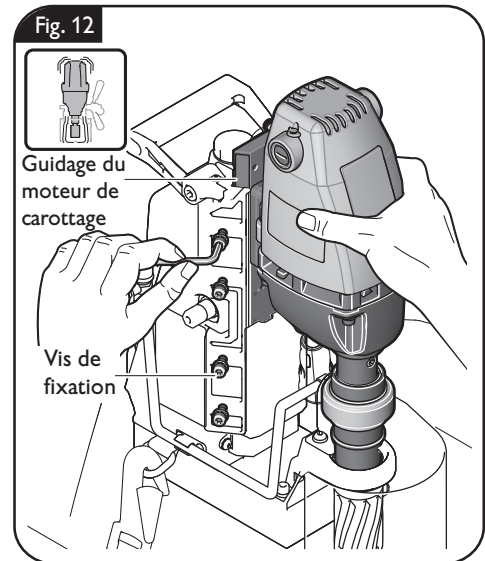
### Queue d'aronde double (figure 12).

Il est possible qu'après quelques heures de service, le jeu dans la queue d'aronde double s'aggrave. Ce qui pourrait avoir pour conséquence que le moteur de carottage se mette à glisser le long de la queue d'aronde double. Ceci provoque un dysfonctionnement si le moteur glisse vers le bas et l'outil de coupe peut être endommagé. Dans un tel cas, resserrez de manière appropriée toutes les vis de fixation de la queue d'aronde double, de sorte que le moteur de carottage se laisse facilement bouger manuellement, mais ne glisse pas automatiquement.

### Système de refroidissement.

Rincez le système de refroidissement avec de l'eau, nettoyez-le et purgez-le complètement, si la machine est arrêtée pendant plus de deux semaines.

En service continu vous devez également rincer le système de refroidissement toutes les 4 semaines environ avec de l'eau et le nettoyer.



## Service après-vente.

**AVERTISSEMENT** Ne faire effectuer les travaux d'entretien que par des personnes qualifiées. Les câbles et éléments mal montés peuvent présenter des risques graves. Ne faire effectuer les travaux d'entretien que par une station de Service Après-Vente Slugger.

**ATTENTION** Si un câble d'alimentation de l'outil électrique est endommagé, il doit être remplacé par un câble d'alimentation spécialement préparé disponible auprès du Service Après-Vente de Slugger. Vous trouverez la liste actuelle des pièces de rechange pour cet outil électroportatif sur notre site [www.fein.com](http://www.fein.com).

## Nettoyage.

**AVERTISSEMENT** Afin d'éviter des accidents, débranchez l'outil électrique de l'alimentation en courant avant d'effectuer un nettoyage ou des travaux d'entretien ou de maintenance.



**AVERTISSEMENT** S'il y a de la poussière conductrice dans l'air lors de l'utilisation de l'outil, p. ex. lors du traitement de métaux, cette poussière peut se déposer à l'intérieur de l'outil électrique. La double isolation de l'outil électrique peut ainsi être endommagée. Soufflez alors régulièrement de l'extérieur de l'air comprimé sec exempt d'huile dans l'intérieur de l'outil électrique à travers les ouïes de ventilation ; utilisez toujours une protection oculaire. Pour une protection supplémentaire, placez un dispositif à courant différentiel résiduel (RCD) en amont.

**ATTENTION** N'essayez pas de nettoyer les orifices de ventilation à l'aide d'objets métalliques pointus ; utilisez des outils non-métalliques.

**ATTENTION** N'utilisez pas de détergents ou de solvants qui peuvent endommager les parties en matière plastique. Par exemple : l'essence, le tétrachlorure de carbone, solvants chlorés, l'ammoniaque et produits de nettoyage domestiques contenant de l'ammoniaque.

## Garantie.

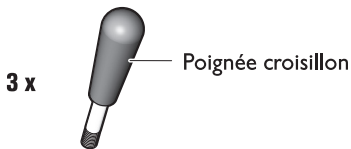
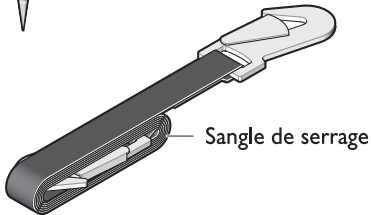
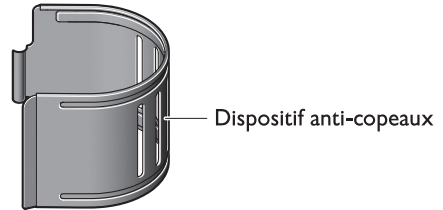
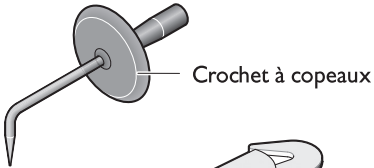
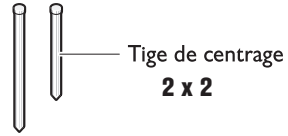
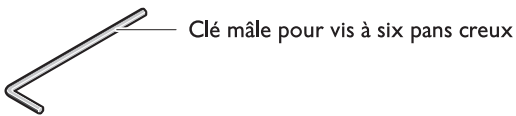
La garantie du produit est valable conformément à la réglementation légale en vigueur dans le pays où le produit est mis sur le marché.

## Protection de l'environnement, recyclage.

Rapporter les emballages, les outils électriques hors d'usage et les accessoires dans un centre de recyclage respectant les directives concernant la protection de l'environnement. Pour plus de précisions, veuillez vous adresser à votre revendeur spécialisé.

## Accessoires fournis (figure 13).

Fig.13



**3 x**



## Para su seguridad.

**⚠ ADVERTENCIA** Lea íntegramente estas advertencias de peligro e instrucciones. En caso de no atenderse a las advertencias de seguridad siguientes, ello puede ocasionar una descarga eléctrica, un incendio y/o lesión grave.

**Guardar todas las advertencias de peligro e instrucciones para futuras consultas.**

**🔌** No utilice esta herramienta eléctrica sin haber leído antes con detenimiento y haber entendido por completo estas instrucciones de uso, inclusive las ilustraciones, especificaciones, reglas de seguridad, así como las indicaciones identificadas con PELIGRO, ADVERTENCIA y PRECAUCIÓN. Solamente use esta herramienta eléctrica para realizar los trabajos que el fabricante ha previsto para la misma. Únicamente utilice los útiles de corte y accesorios aprobados por el fabricante.

Observe también las respectivas prescripciones contra accidentes de trabajo vigentes en su país.

En caso de no atenderse a las instrucciones de seguridad mencionadas en la documentación previamente citada, ello puede provocar una electrocución, incendio y/o lesión grave.

Guarde estas instrucciones de uso para posteriores consultas y entréguelas al usuario en caso de prestar o vender la máquina.

**GUARDAR ESTAS INSTRUCCIONES EN UN LUGAR SEGURO.**

El término “herramienta eléctrica” empleado en las siguientes instrucciones de seguridad se refiere a herramientas eléctricas de conexión a la red (con línea) y a herramientas eléctricas accionadas por batería (o sea, sin línea).

## Instrucciones generales de seguridad.

### 1) Seguridad en el puesto de trabajo

**a) Mantenga limpio y bien iluminado su puesto de trabajo.** El desorden y una iluminación deficiente en las áreas de trabajo pueden provocar accidentes.

**b) No utilice la herramienta eléctrica en un entorno con peligro de explosión, en el que se encuentren combustibles líquidos, gases o material en polvo.** Las herramientas eléctricas producen chispas que pueden llegar a inflamar los materiales en polvo o vapores.

**c) Mantenga alejados a los niños y otras personas de su puesto de trabajo al emplear la herramienta eléctrica.** Una distracción le puede hacer perder el control sobre el aparato.

### 2) Seguridad eléctrica

**a) La clavija del aparato debe corresponder al enchufe utilizado. No es admisible modificar la clavija en forma alguna. No emplear adaptadores en aparatos dotados con una toma de tierra.** Las clavijas sin modificar adecuadas a los respectivos enchufes reducen el riesgo de una descarga eléctrica.

**b) Evite que su cuerpo toque partes conectadas a tierra como tuberías, radiadores, cocinas y refrigeradores.** El riesgo a quedar expuesto a una sacudida eléctrica es mayor si su cuerpo tiene contacto con tierra.

**c) No exponga las herramientas eléctricas a la lluvia y evite que penetren líquidos en su interior.** Existe el peligro de recibir una descarga eléctrica si penetran ciertos líquidos en la herramienta eléctrica.

**d) No utilice la línea para transportar o colgar el aparato, ni tire de ella para sacar la clavija de la toma de corriente. Mantenga la línea alejada del calor, aceite, esquinas cortantes o piezas móviles.** Las líneas dañadas o enredadas pueden provocar una descarga eléctrica.

**e) Al trabajar con la herramienta eléctrica a la intemperie utilice solamente extensiones homologadas para su uso en exteriores.** La utilización de una extensión adecuada para su uso en exteriores reduce el riesgo de una descarga eléctrica.

- f) Si fuese imprescindible utilizar la herramienta eléctrica en un entorno húmedo, es necesario conectarla a través de un fusible diferencial. La aplicación de un fusible diferencial reduce el riesgo a exponerse a una descarga eléctrica.
- 3) Seguridad de personas
- a) **Esté atento a lo que hace y emplee la herramienta eléctrica con prudencia. No utilice la herramienta eléctrica si estuviese cansado, ni tampoco después de haber consumido alcohol, drogas o medicamentos.** El no estar atento durante el uso de una herramienta eléctrica puede provocarle serias lesiones.
- b) **Utilice un equipo de protección y en todo caso unas gafas de protección.** El riesgo a lesionarse se reduce considerablemente si, dependiendo del tipo y la aplicación de la herramienta eléctrica empleada, se utiliza un equipo de protección adecuado como una mascarilla cubrepolvo, zapatos de seguridad anti-deslizantes, cubierta, o protectores auditivos.
- c) **Evite una puesta en marcha fortuita del aparato. Asegúrese de que el aparato esté apagado antes de conectarlo al enchufe.** Si transporta el aparato sujetándolo por el switch, o si conecta la clavija al enchufe con el aparato encendido, ello puede dar lugar a un accidente.
- d) **Retire las herramientas de ajuste o llaves fijas antes de conectar la herramienta eléctrica.** Una herramienta o llave colocada en una pieza rotante puede producir lesiones al ponerse a funcionar.
- e) **Sea precavido. Trabaje sobre una base firme y mantenga el equilibrio en todo momento.** Ello le permitirá controlar mejor la herramienta eléctrica en caso de presentarse una situación inesperada.
- f) **Lleve puesta una ropa de trabajo adecuada. No utilice ropa amplia ni joyas. Mantenga su pelo, ropa y guantes alejados de las piezas móviles.** La ropa suelta, las joyas y el pelo largo se pueden enganchar con las piezas en movimiento.
- g) **Siempre que sea posible utilizar unos equipos de aspiración o captación de polvo, asegúrese de que éstos estén apropiadamente conectados y que sean utilizados correctamente.** El empleo de estos equipos reduce los riesgos derivados del polvo.
- 4) **Trato y uso cuidadoso de herramientas eléctricas**
- a) **No sobrecargue el aparato. Use la herramienta prevista para el trabajo a realizar.** Con la herramienta adecuada podrá trabajar mejor y más seguro dentro del margen de potencia indicado.
- b) **No utilice herramientas con un switch defectuoso.** Las herramientas que no se puedan encender o apagar son peligrosas y deben hacerse reparar.
- c) **Saque la clavija de la red antes de realizar un ajuste en el aparato, cambiar de accesorio o al guardar el aparato.** Esta medida preventiva reduce el riesgo a encender accidentalmente el aparato.
- d) **Guarde las herramientas fuera del alcance de los niños y de las personas que no estén familiarizadas con su uso.** Las herramientas utilizadas por personas inexpertas son peligrosas.
- e) **Cuide sus herramientas eléctricas con esmero. Controle si funcionan correctamente, sin atascarse, las partes móviles del aparato, y si existen partes rotas o deterioradas que pudieran afectar al funcionamiento de la herramienta. Si la herramienta eléctrica estuviese defectuosa haga repararla antes de volver a utilizarla.** Muchos de los accidentes se deben a aparatos con un mantenimiento deficiente.
- f) **Mantenga los útiles de corte limpios y afilados.** Los útiles de corte mantenidos correctamente se dejan guiar y controlar mejor.

**g) Utilice herramientas eléctricas, accesorios, útiles, etc. de acuerdo a estas instrucciones y en la manera indicada específicamente para este aparato. Considere en ello las condiciones de trabajo y la tarea a realizar.** El uso de herramientas eléctricas para trabajos diferentes de aquellos para los que han sido concebidas puede resultar peligroso.

## 5) Servicio

**a) Únicamente haga reparar su herramienta eléctrica por un profesional, empleando exclusivamente refacciones originales.** Solamente así se mantiene la seguridad de la herramienta eléctrica.

## Instrucciones de seguridad especiales.

**Utilice un equipo de protección personal. Dependiendo del trabajo a realizar use una careta, una protección para los ojos, o unas gafas de protección. Si procede, emplee una mascarilla antipolvo, protectores auditivos, guantes de protección o un mandil especial adecuado para protegerle de los pequeños fragmentos que pudieran salir proyectados al desprenderse del útil o pieza.** Las gafas de protección deberán ser indicadas para protegerle de los fragmentos que pudieran salir despedidos al trabajar. La mascarilla antipolvo o respiratoria deberá ser apta para filtrar las partículas producidas al trabajar. La exposición prolongada al ruido puede provocar sordera.

**Si existiese el riesgo de que pueda caerse la herramienta eléctrica, asegúrela siempre con la cinta tensora suministrada, especialmente al trabajar a cierta altura, en elementos verticales, o al trabajar por encima de la cabeza.** La fuerza de sujeción magnética se anula en caso de un corte del fluido eléctrico o al sacar la clavija de la red.

**No utilice el depósito de refrigerante si tuviese que mantener el aparato en posición vertical o por encima de la cabeza al trabajar las piezas.** Emplee un spray de refrigeración en estos casos. La penetración de líquido en la herramienta eléctrica puede ocasionar una descarga eléctrica.

**Evite el contacto con el núcleo de perforación que el perno de centrado expulsa automáticamente al finalizar el trabajo.** Al ser golpeado por el núcleo, que además puede estar muy caliente, puede llegar a accidentarse.

**Únicamente conecte la herramienta eléctrica a tomas de corriente provistas de un contacto de protección reglamentario. Solamente utilice cables de conexión en perfectas condiciones, y unas extensiones provistas de un contacto de protección sometidas a una inspección periódica.** Un cable de protección defectuoso puede provocar una descarga eléctrica.

**Para no lesionarse, siempre mantenga las manos, ropa, etc. alejadas de las virutas en rotación.** Las virutas pueden lesionarle. Siempre use la protección contra virutas.

**No intente retirar el útil mientras éste esté girando todavía.** Podría lesionarse gravemente.

**Sujete el aparato por las áreas de agarre aisladas al realizar trabajos en los que el útil pueda tocar conductores eléctricos ocultos o el propio cable del aparato.** El contacto con conductores bajo tensión puede hacer que las partes metálicas del aparato le provoquen una descarga eléctrica.

**Preste atención a los conductores eléctricos y a las tuberías de agua y gas ocultas.** Antes de comenzar a trabajar explore la zona de trabajo, p. ej., con un detector de metales.

**Esta prohibido fijar rótulos o señales a la herramienta eléctrica con tornillos o remaches.** Un aislamiento dañado no le protege de una electrocución. Emplee etiquetas autoadhesivas.

**No use accesorios que no hayan sido especialmente desarrollados u homologados por el fabricante de la herramienta eléctrica.** El mero hecho de que sea montable un accesorio en su herramienta eléctrica no es garantía de que su funcionamiento sea seguro.

**Limpie periódicamente las rejillas de refrigeración de la herramienta eléctrica empleando herramientas que no sean de metal.** El ventilador del motor aspira polvo hacia el interior de la carcasa. En caso de acumularse polvo de metal en exceso, ello puede provocar al usuario una descarga eléctrica.

## Tratamiento de materiales en polvo peligrosos.

**⚠ ADVERTENCIA** **Al trabajar con herramientas, p. ej., al lijar, pulir, serrar o realizar otros trabajos con arranque de material, los polvos que se producen pueden ser nocivos para la salud, autoinflamables o explosivos.**

El contacto o inspiración de ciertos materiales en polvo puede provocar en el usuario, o en las personas circundantes, reacciones alérgicas y/o enfermedades respiratorias, cáncer, daños congénitos u otros trastornos reproductivos.

A continuación, indicamos algunos de estos materiales junto con los productos químicos que contienen, cuyo polvo producido al trabajar, puede ser nocivo para la salud:

- Amianto y materiales que contengan amianto;
- Pinturas que contengan plomo, ciertos tipos de madera como, p. ej., haya, encino y roble;
- Minerales y metales;
- Partículas de sílice de ladrillo, concreto y demás materiales que contengan mineral;
- Los solventes que contienen ciertas pinturas;
- Arsénico, cromo y otros conservadores de la madera;
- Materiales para combatir parásitos en casos de botes o barcos;
- Polvos de acero inoxidable, de metales y de metales no férricos.

Para que la exposición a estos materiales sea mínima:

- Utilice un equipo de aspiración apropiado para el polvo producido.
- Use equipos de protección personal como, por ejemplo, una mascarilla guardapolvo con un filtro de la clase P2.
- Observe que esté bien ventilado el puesto de trabajo.

**Antes de la puesta en marcha inspeccione si están dañados el cable de red y el enchufe.**

**Recomendación: Siempre opere la herramienta eléctrica a través de un interruptor diferencial (RCD) con una corriente de disparo máxima de 30 mA.**

El riesgo derivado de la inspiración de polvo depende de la frecuencia con la que se procesen estos materiales. Los materiales que contengan amianto solamente deberán ser procesados por especialistas.

**⚠ ATENCIÓN** **El polvo de madera y el de aleaciones ligeras puede autoinflamarse o provocar una explosión.**

Si en el saco filtrante o en el filtro del aspirador, el polvo caliente producido al lijar se mezcla con restos de pintura, poliuretano, u otras materias químicas, puede que ésta se autoincendie bajo condiciones desfavorables como, p. ej., el salto de chispas al lijar metales, la exposición permanente y directa al sol, o una temperatura ambiente elevada.

Para prevenir esta situación:

- Evite que se sobrecalienten la pieza de trabajo y la herramienta eléctrica.
- Vacíe el depósito de polvo con suficiente antelación.
- Observe las instrucciones de elaboración del fabricante del material.
- Considere las prescripciones sobre los materiales a trabajar.

## Emisión de ruidos (Indicación de dos cifras según ISO 4871)

### Emisión de ruido

Nivel de de presión sonora $L_{pA}$ (re 20 $\mu$ Pa), medido con filtro A en el puesto de trabajo, en decibelios	87.5
Inseguridad $K_{pA}$ en decibelios	5
Nivel de potencia acústica $L_{WA}$ (re 1 pW), medido con filtro A, en decibelios	98.5
Inseguridad $K_{WA}$ en decibelios	5
Valor pico del nivel de presión sonora $L_{pCpeak}$ medido con filtro C en el puesto de trabajo, en decibelios	100.1
Inseguridad $K_{pCpeak}$ en decibelios	5

**OBSERVACIÓN:** la suma de los valores emitidos medidos, considerando la inseguridad respectiva, representa el límite superior que puede alcanzarse en las mediciones.



¡Utilizar unos protectores acústicos!

Valores de medición determinados según normativa del producto pertinente.

### Extensiones.

**⚠ ADVERTENCIA** En caso de utilizar una extensión, la longitud y la sección de la línea deberá ser la correcta para el trabajo a realizar para evitar una caída de tensión en la línea, una reducción de la potencia, y el sobrecalentamiento de la herramienta eléctrica. De lo contrario, se presentan peligros de origen eléctrico en la extensión y en la herramienta eléctrica, además de reducirse sus prestaciones.

**Longitudes y secciones del cable recomendadas para las extensiones al trabajar con una tensión alterna monofásica de 120 V, teniendo conectado solamente un JHM USA 101 X:**

Longitud de la línea en pies			Longitud de la línea en m		
≤ 100	100	200	≤ 30	30	60
	-200	-300		-60	-100
Calibre A.W.G. del cable, mín.			Sección del cable en mm <sup>2</sup> , mín.		
16	14	12	1.5	2.5	4

## Utilización reglamentaria de la herramienta eléctrica:

unidad de taladrado prevista para taladrar con coronas perforadoras materiales de superficie magnetizable, en lugares protegidos de la intemperie, con los útiles y accesorios homologados por el fabricante.



## Alimentación de la herramienta eléctrica con un grupo electrógeno.

⚠ Esta herramienta eléctrica es apta además para ser utilizada con grupos electrógenos de alterna siempre que dispongan de suficiente potencia y cumplan los requisitos según norma ISO 8528 para la clase de ejecución G2. Deberá prestarse especial atención a no sobrepasar el coeficiente de distorsión máximo del 10 % establecido en

dicha norma. En caso de duda consulte los datos del grupo utilizado por Ud.

**⚠ ADVERTENCIA** Esta prohibido conectar la herramienta eléctrica a generadores de corriente cuya tensión en vacío sea superior a la tensión indicada en la placa de características de la herramienta eléctrica.

## Simbología.

Símbolo	Definición
	No tocar las piezas en rotación de la herramienta eléctrica.
	¡Seguir las instrucciones indicadas al margen!
	¡Seguir las instrucciones indicadas al margen!
	Es imprescindible leer los documentos que se adjuntan, como las instrucciones de servicio y las instrucciones generales de seguridad.
	Antes de realizar el paso de trabajo descrito, sacar el enchufe de la red. En caso contrario, podría accidentarse al ponerse en marcha fortuitamente la herramienta eléctrica.
	Al trabajar protegerse los ojos.
	Al trabajar utilizar un protector acústico.
	Este símbolo confirma que este producto ha sido certificado en USA y Canadá.
	Este símbolo advierte sobre una situación peligrosa inminente. Un comportamiento incorrecto puede dar lugar a una lesión grave o incluso mortal.
	Este símbolo advierte sobre una situación peligrosa que puede comportar lesiones graves o mortales.
	Este símbolo advierte sobre una situación peligrosa en la que pudiera lesionarse.
	Acumular por separado las herramientas eléctricas y demás productos electrotécnicos y eléctricos inservibles y someterlos a un reciclaje ecológico.
	Producto dotado con un aislamiento base además de tener conectadas al conductor de tierra las piezas conductoras de corriente susceptibles de ser tocadas.
	Conexión
	Desconexión
~ o a. c.	Corriente alterna
1 ~	Corriente alterna monofásica

<b>Símbolo</b>	<b>Unidad nacional</b>	<b>Definición</b>
<i>n</i>	rpm; /min; min <sup>-1</sup> ; r/min	Revoluciones en vacío
<i>P</i>	W	Unidad de medida de la potencia
	°	Unidad de medida del ángulo
<i>U</i>	V	Unidad de medida de la tensión eléctrica
<i>f</i>	Hz	Unidad de medida de la frecuencia
<i>I</i>	A	Unidad de medida de la intensidad
<i>m</i>	lbs	Unidad de medida de la masa
<i>l</i>	ft, in	Unidad de medida para la longitud, ancho, altura, profundidad, diámetro o roscas
∅	ft, in	Diámetro de una pieza redonda
	m, s, kg, A, mm, V, W, Hz, N, °C, dB, min, m/s <sup>2</sup>	Unidades básicas y unidades derivadas del sistema internacional de unidades <b>SI</b> .

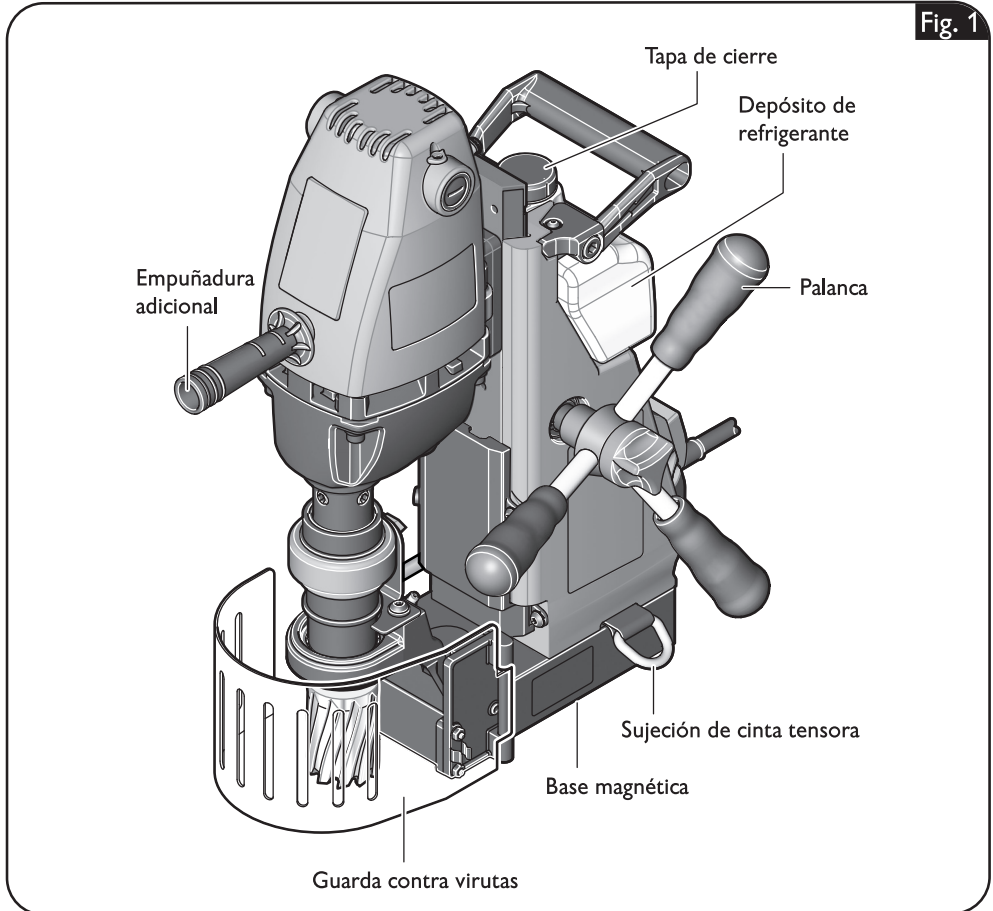
## Descripción técnica y especificaciones.

### ⚠ ADVERTENCIA

**Saque la clavija del enchufe antes de montar o cambiar los útiles y accesorios.** Esta medida de seguridad preventiva evita los accidentes que pudieran presentarse en caso de una puesta en marcha involuntaria.



El material de serie suministrado con su herramienta eléctrica puede que no corresponda en su totalidad al material descrito o mostrado en estas instrucciones de servicio.



### Tipo

**JHM USA 101 X**

Nº de referencia

7 272 ... / 7 273 ...

Corriente absorbida

9.4 A

Revoluciones en vacío

480 rpm

Peso según EPTA-Procedure 01

26.5 lbs / 30.9 lbs  
(12.0 kg) / (14.0 kg)

Clase de protección

I

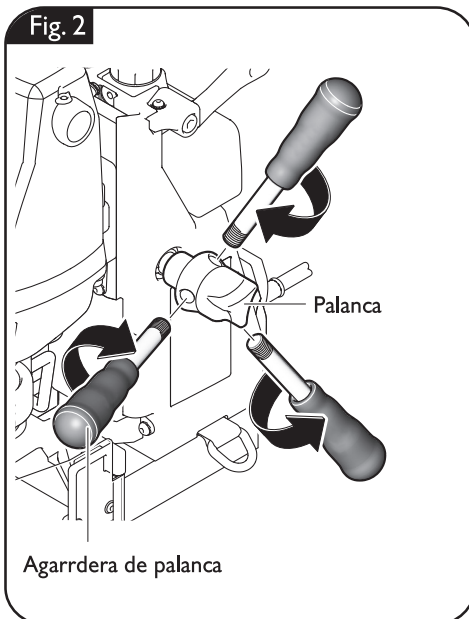
## Instrucciones de montaje.

**⚠ ADVERTENCIA** Saque la clavija del enchufe antes de montar o cambiar los útiles y accesorios. Esta medida de seguridad preventiva evita los accidentes que pudieran presentarse en caso de una puesta en marcha involuntaria.

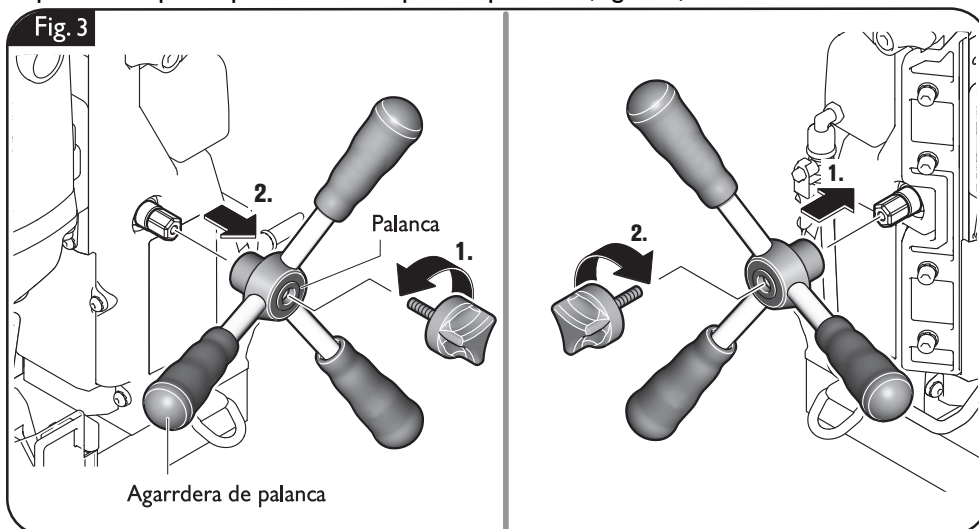


### Montaje de las agarraderas de palanca (Figura 2).

Enrosque las agarraderas de palanca en los taladros roscados previstos para ello.

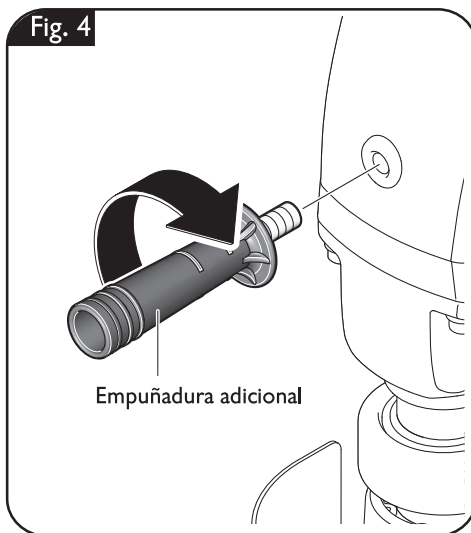


Es posible acoplar la palanca al lado que Ud. prefiera. (Figura 3)



## Montaje de la agarradera adicional (Figura 4).

Enrosque firmemente la agarradera adicional.



## Llenado del depósito de refrigerante (Figura 5).

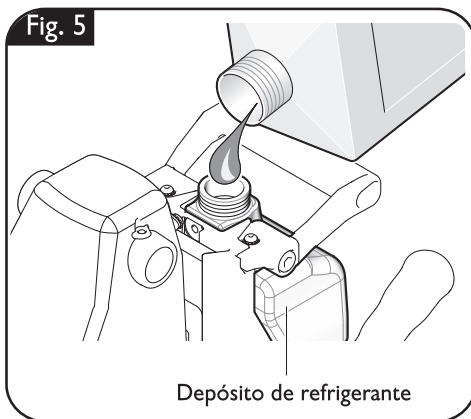
**⚠ ADVERTENCIA** Evite que el líquido que escurra por la línea llegue a penetrar en el enchufe o en la unidad de taladrado, ya que podría exponerse a una descarga eléctrica. Haga un bucle en la línea, antes del enchufe, para permitir que el líquido gotee de la línea.

Desenrosque la tapa de cierre del depósito de refrigerante.

Llene líquido refrigerante apropiado para ser transportado por la bomba, p. ej., aceite de corte Slugger.

Vuelva a enroscar la tapa de cierre del depósito de refrigerante.

No utilice la unidad de taladrado si estuviese defectuoso el sistema de aportación de refrigerante. Verifique **antes de cada operación** la hermeticidad y la existencia de posibles fisuras en las mangueras. Evite que penetren líquidos en las piezas eléctricas.



## Cambio de útil (Figura 6).

**⚠ ADVERTENCIA** Si existiese el riesgo de que pueda caerse la herramienta eléctrica, asegúrela siempre con la cinta tensora suministrada, especialmente al trabajar a cierta altura, en elementos verticales, o al trabajar por encima de la cabeza. La fuerza de sujeción magnética se anula en caso de un corte del fluido eléctrico o al sacar la clavija de la red.

**⚠ ADVERTENCIA** Saque la clavija del enchufe antes de montar o cambiar los útiles y accesorios. Esta medida



de seguridad preventiva evita los accidentes que pudieran presentarse en caso de una puesta en marcha involuntaria.

Abra la protección contra virutas.

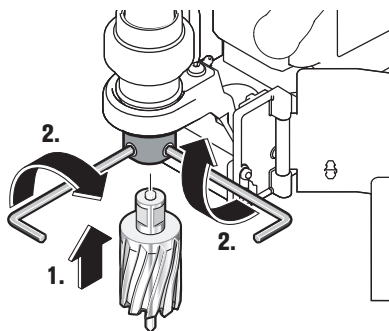
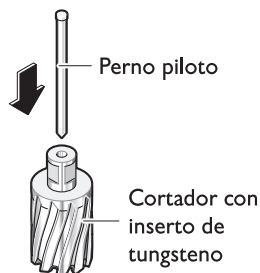
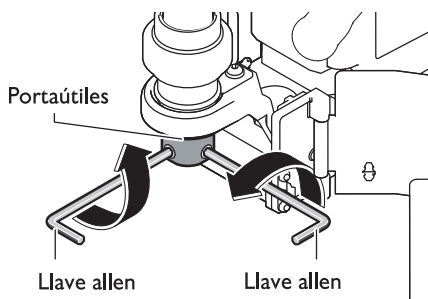
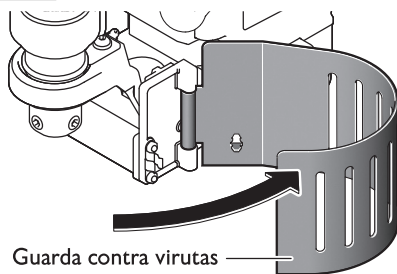
Afloje ambos tornillos del portaútiles con una llave allen.

Pase el perno de centrado por la corona perforadora.

Monte la corona perforadora con el perno de centrado en el portaútiles.

Apriete ambos tornillos del portaútiles contra los planos fresados del vástago del útil, empleando para ello la llave allen.

Fig. 6

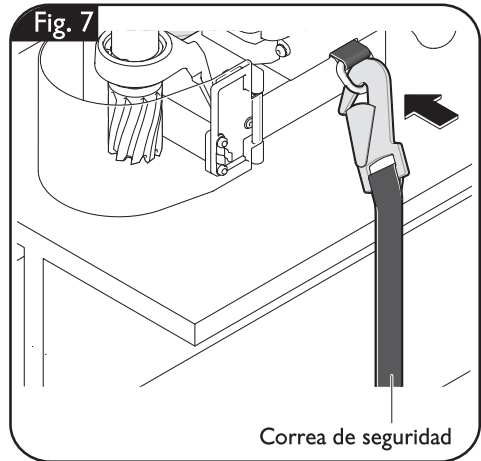


## Instrucciones para la operación.

**⚠ ADVERTENCIA** Si existiese el riesgo de que pueda caerse la herramienta eléctrica, asegúrela siempre con la cinta tensora suministrada, especialmente al trabajar a cierta altura, en elementos verticales, o al trabajar por encima de la cabeza. La fuerza de sujeción magnética se anula en caso de un corte del fluido eléctrico o al sacar la clavija de la red.

### Sujeción de la cinta tensora (Figura 7).

Asegure la máquina sobre la pieza de trabajo con la cinta tensora suministrada.

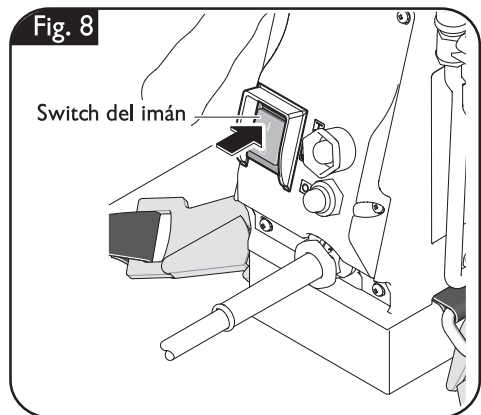


### Conexión del imán (Figura 8).

- ⚠ Preste atención a que la superficie a la que pretende fijar la base magnética sea plana y esté limpia y exenta de óxido. Desprenda las capas de pintura o emplastecido.
- ⚠ Trabaje siempre empleando la base magnética, y observe que ésta quede sujeta con firmeza.

Al procesar materiales que no sean metálicos, deberá elegirse entre los accesorios opcionales del fabricante un dispositivo de sujeción apropiado como, p. ej., la placa de vacío o el dispositivo para taladrar tubos. También al trabajar piezas de acero, si su grosor es menor de 12 mm, deberá suplementarse la pieza de trabajo con una placa de acero adicional para garantizar una fuerza de sujeción magnética suficiente.

Para la puesta en marcha accione el switch del imán.



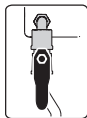
## Conexión y desconexión del refrigerante (Figura 9).

El nivel de llenado de refrigerante lo puede Ud. ver en la abertura alargada que lleva el eje de taladrar.

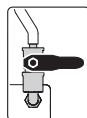
Desconecte el refrigerante cuando el nivel se encuentre por debajo de la abertura.

El refrigerante acumulado ahora en el eje de taladrar alcanza para realizar un taladro.

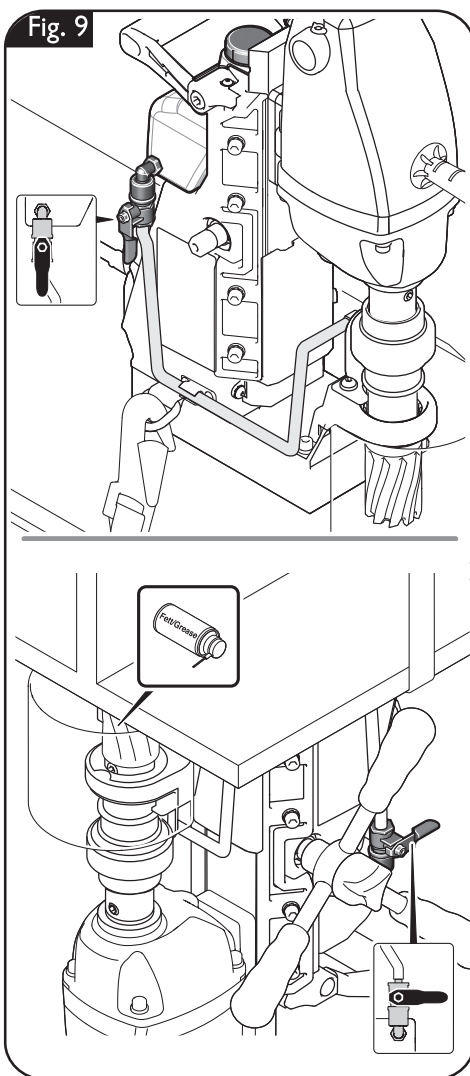
Antes de realizar el siguiente taladro conecte y desconecte el refrigerante según el procedimiento explicado.



Para conectar el refrigerante gire la palanca a la posición mostrada.



Desconecte el refrigerante si va a realizar trabajos por encima de la cabeza. Gire la palanca a la posición mostrada.





## Encendido y apagado del motor de taladrar (Figura 10).

### Encendido:

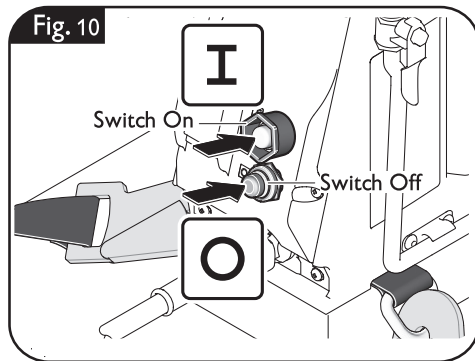
Conecte el switch del motor.

### Apagado:

Desconecte el switch del motor.

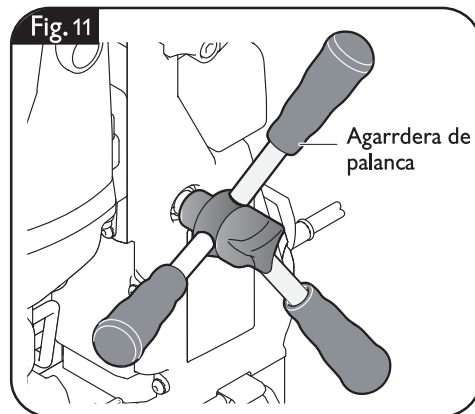
### Desactivación del imán:

Desconecte el imán con el switch del imán.



## Avance (Figura 11).

Jale de la agarradera de palanca.



## Indicaciones para taladrar con coronas.

No detenga el motor de taladrar durante la perforación.

Únicamente sacar la corona de la perforación con el motor en marcha.

Si la corona perforadora llega a atascarse en el material, detenga el motor de taladrar, y vaya sacando la corona perforadora girándola con cuidado en sentido contrario a las agujas del reloj.

Al terminar de taladrar retire las virutas y el núcleo resultante de la perforación.

**!** No toque las virutas directamente con la mano. Siempre realice esto auxiliándose de un gancho.

**⚠ ATENCIÓN** ¡Las virutas tienen filos cortantes y queman!

Al cambiar la broca no dañe sus filos.

Para taladrar material compuesto use una broca Slugger del diámetro interior (ID) correcto, apropiada para taladrar materiales apilados.

## Reparación y servicio técnico.

### ⚠ ADVERTENCIA

**Saque la clavija del enchufe antes de montar o cambiar los útiles y accesorios.** Esta medida de seguridad preventiva evita los accidentes que pudieran presentarse en caso de una puesta en marcha involuntaria.



### Piezas sustituibles.

**Si fuese preciso, puede sustituir Ud. mismo las piezas siguientes:**

Útiles, depósito de refrigerante, agarraderas, protección contra virutas, cinta tensora

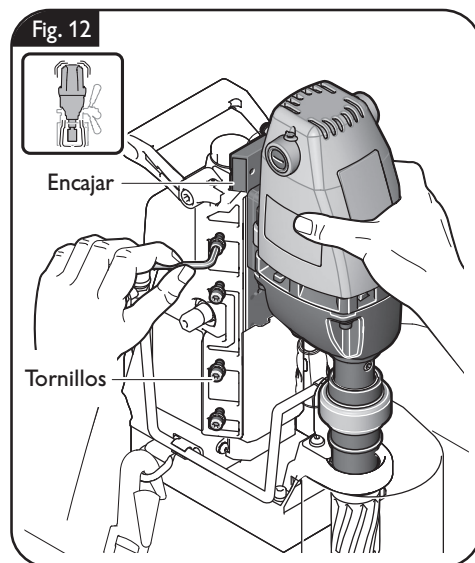
### Guía cola de milano (Figura 12).

Con el uso puede llegar a aumentar el juego en la guía cola de milano. Esto puede hacer que el motor deslice hacia abajo por su propia cuenta en la guía cola de milano. Al descender bruscamente el motor puede llegar a dañarse el útil de corte. Para evitar esto apriete con cuidado los tornillos de sujeción de la guía cola de milano de manera que el motor pueda moverse fácilmente con la mano pero sin que llegue a deslizar por su propia cuenta.

### Circuito de refrigeración.

Enjuague el circuito de refrigeración con agua, límpielo, y vacíelo completamente si tiene previsto no utilizar la máquina durante más de dos semanas.

También en caso de un uso frecuente es necesario enjuagar y limpiar con agua el circuito de refrigeración cada 4 semanas, aprox.



## Servicio técnico.

**⚠ ADVERTENCIA** Únicamente deje realizar los trabajos de mantenimiento por un profesional. Las líneas y componentes mal montados pueden suponer un grave peligro, Deje efectuar el servicio requerido por un servicio técnico Slugger.

**⚠ ATENCIÓN** En caso de que se dañe la línea de la herramienta eléctrica es necesario sustituirla por una línea de refacción original adquirible a través de uno de los servicios técnicos Slugger.

La lista de piezas de refacción actual para esta herramienta eléctrica la encuentra en internet bajo [www.fein.com](http://www.fein.com).

## Limpieza.

**⚠ ADVERTENCIA** Con el fin de evitar accidentes, saque de la alimentación la clavija de la herramienta eléctrica antes de realizar en la misma cualquier tipo de trabajo de limpieza o de mantenimiento.

**⚠ ADVERTENCIA** Si el aire ambiente contiene material en polvo conductor, p. ej., al trabajar metales, puede que este material llegue a depositarse en el interior de la herramienta eléctrica. Ello puede mermar la eficacia del aislamiento de protección de la herramienta eléctrica. Por ello, sople con regularidad desde afuera por las rejillas de refrigeración el interior de la herramienta eléctrica con aire comprimido seco y exento de aceite, utilizando en ello siempre una protección para los ojos. Intercale un interruptor diferencial (RCD) como medida de protección adicional.

**⚠ ATENCIÓN** No intente limpiar las rejillas de refrigeración de la herramienta eléctrica con objetos metálicos en punta, emplee para ello objetos que no sean de metal.

**⚠ ATENCIÓN** No aplique agentes de limpieza ni disolventes que pudieran atacar a las piezas de plástico. Algunos de estos agentes son: gasolina, tetracloruro de carbono, disolventes clorados, amoníaco y detergentes domésticos que contengan amoníaco.

## Garantía.

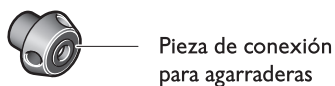
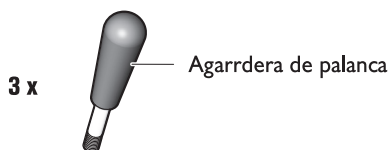
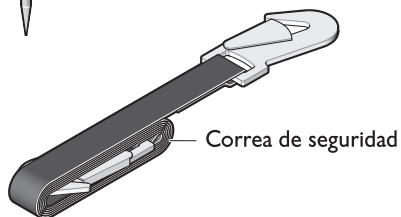
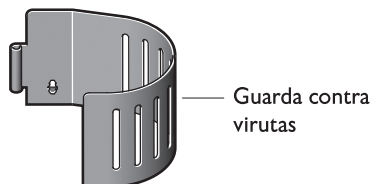
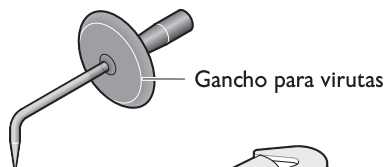
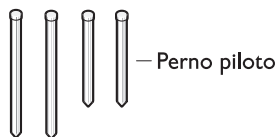
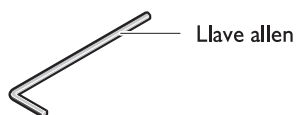
La garantía del producto se realiza de acuerdo a las regulaciones legales vigentes en el país de adquisición.

## Protección del medio ambiente, eliminación.

Los embalajes, así como las herramientas eléctricas y accesorios inservibles, deberán entregarse a los puntos de recogida correspondientes para que puedan ser sometidos a un reciclaje ecológico. Informaciones adicionales al respecto las obtiene en su comercio especializado habitual.

## Accesorios incluidos en el suministro (Figura 13).

Fig.13





**USA**

FEIN Power Tools, Inc.  
1000 Omega Drive  
Suite 1180  
Pittsburgh, PA 15205  
[www.feinus.com](http://www.feinus.com)

**Canada**

FEIN Canadian Power Tool Company  
323 Traders Boulevard East  
Mississauga, Ontario L4Z 2E5  
[www.fein.ca](http://www.fein.ca)

**FEIN Service**

FEIN Power Tools, Inc.  
2735 Hickory Grove Road  
Davenport, IA 52804  
[magdrillrepair@feinus.com](mailto:magdrillrepair@feinus.com)

**Headquarter**

C. & E. Fein GmbH  
Hans-Fein-Straße 81  
D-73529 Schwäbisch Gmünd-Bargau  
[www.fein.com](http://www.fein.com)

