

KS10-38E

7 221 67

en Instruction Manual



fr Mode d'emploi




es Instrucciones de uso



For your safety.

⚠ WARNING **Read all safety warnings and all instructions.** Failure to follow the warnings and instructions may result in electric shock, fire and/or serious injury. **Save all warnings and instructions for future reference.**

 Do not use this power tool before you have thoroughly read and completely understood this Instruction Manual, including the figures, specifications, safety regulations and the signs indicating DANGER, WARNING and CAUTION.

Only carry out such operations with this power tool as intended for by FEIN. Only use application tools and accessories that have been released by FEIN.

Please also observe the relevant national industrial safety regulations.

Non-observance of the safety instructions in the said documentation can lead to an electric shock, burns and/or severe injuries.

This Instruction Manual should be kept for later use and enclosed with the power tool, should it be passed on or sold.

SAVE THESE INSTRUCTIONS.

The term “power tool” in the warnings refers to your mains-operated (corded) power tool or battery operated (cordless) power tool.

General safety rules.

1) Work area safety

- a) **Keep work area clean and well lit.** Cluttered or dark areas invite accidents.
- b) **Do not operate power tools in explosive atmospheres, such as in the presence of flammable liquids, gases or dust.** Power tools create sparks which may ignite the dust or fumes.
- c) **Keep children and bystanders away while operating a power tool.** Distraction can cause you to lose control.

2) Electrical safety

- a) **Power tool plugs must match the outlet. Never modify the plug in any way. Do not use any adapter plugs with earthed (grounded) power tools.** Unmodified plugs and matching outlets will reduce risk of electric shock.

- b) **Avoid body contact with earthed or grounded surfaces such as pipes, radiators, ranges and refrigerators.** There is an increased risk of electric shock if your body is earthed or grounded.
- c) **Do not expose power tools to rain or wet conditions.** Water entering a power tool will increase the risk of electric shock.
- d) **Do not abuse the cord. Never use the cord for carrying, pulling or unplugging the power tool. Keep cord away from heat, oil, sharp edges or moving parts.** Damaged or entangled cords increase the risk of electric shock.
- e) **When operating a power tool outdoors, use an extension cord suitable for outdoor use.** Use of a cord suitable for outdoor use reduces the risk of electric shock.
- f) **If operating a power tool in a damp location is unavoidable, use a residual current device (RCD) protected supply.** Use of an RCD reduces the risk of electric shock.

3) Personal safety

- a) **Stay alert, watch what you are doing and use common sense when operating a power tool. Do not use a power tool while you are tired or under the influence of drugs, alcohol or medication.** A moment of inattention while operating power tools may result in serious personal injury.
- b) **Use personal protective equipment. Always wear eye protection.** Protective equipment such as dust mask, non-skid safety shoes, hard hat, or hearing protection used for appropriate conditions will reduce personal injuries.
- c) **Prevent unintentional starting. Ensure the switch is in the off-position before connecting to power source and/or battery pack, picking up or carrying the tool.** Carrying power tools with your finger on the switch or energising power tools that have the switch on invites accidents.
- d) **Remove any adjusting key or wrench before turning the power tool on.** A wrench or a key left attached to a rotating part of the power tool may result in personal injury.

- e) **Do not overreach. Keep proper footing and balance at all times.** This enables better control of the power tool in unexpected situations.
 - f) **Dress properly. Do not wear loose clothing or jewellery. Keep your hair, clothing and gloves away from moving parts.** Loose clothes, jewelry or long hair can be caught in moving parts.
 - g) **If devices are provided for the connection of dust extraction and collection facilities, ensure these are connected and properly used.** Use of dust collection can reduce dust-related hazards.
- 4) **Power tool use and care**
- a) **Do not force the power tool. Use the correct power tool for your application.** The correct power tool will do the job better and safer at the rate for which it was designed.
 - b) **Do not use the power tool if the switch does not turn it on and off.** Any power tool that cannot be controlled with the switch is dangerous and must be repaired.
 - c) **Disconnect the plug from the power source and/or the battery pack from the power tool before making any adjustments, changing accessories, or storing power tools.** Such preventive safety measures reduce the risk of starting the power tool accidentally.
- d) **Store idle power tools out of the reach of children and do not allow persons unfamiliar with the power tool or these instructions to operate the power tool.** Power tools are dangerous in the hands of untrained users.
- e) **Maintain power tools. Check for misalignment or binding of moving parts, breakage of parts and any other condition that may affect the power tool's operation. If damaged, have the power tool repaired before use.** Many accidents are caused by poorly maintained power tools.
 - f) **Keep cutting tools sharp and clean.** Properly maintained cutting tools with sharp cutting edges are less likely to bind and are easier to control.
 - g) **Use the power tool, accessories and tool bits etc. in accordance with these instructions, taking into account the working conditions and the work to be performed.** Use of the power tool for operations different from those intended could result in a hazardous situation.
- 5) **Service**
- a) **Have your power tool serviced by a qualified repair person using only identical replacement parts.** This will ensure that the safety of the power tool is maintained.

Special safety instructions.

Safety Warnings common for Polishing

This power tool is intended to function as a polisher. Read all safety warnings, instructions, illustrations and specifications provided with this power tool. Failure to follow all instructions listed below may result in electric shock, fire and/or serious injury.

Operations such as grinding, sanding, wire brushing or cutting-off are not recommended to be performed with this power tool. Operations for which the power tool was not designed may create a hazard and cause personal injury.

Do not use accessories which are not specifically designed and recommended by the tool manufacturer. Just because the accessory can be attached to your power tool, it does not assure safe operation.

The rated speed of the accessory must be at least equal to the maximum speed marked on the power tool. Accessories running faster than their rated speed can break and fly apart.

The outside diameter and the thickness of your accessory must be within the capacity rating of your power tool. Incorrectly sized accessories cannot be adequately guarded or controlled.

The arbor size of wheels, flanges, backing pads or any other accessory must properly fit the spindle of the power tool. Accessories with arbor holes that do not match the mounting hardware of the power tool will run out of balance, vibrate excessively and may cause loss of control.

Do not use a damaged accessory. Before each use inspect the accessory such as abrasive wheels for chips and cracks, backing pad for cracks, tear or excess wear, wire brush for loose or cracked wires. If power tool or accessory is dropped, inspect for damage or install an undamaged accessory. After inspecting and installing an accessory, position yourself and bystanders away from the plane of the rotating accessory and run the power tool at maximum no-load speed for one minute.

Damaged accessories will normally break apart during this testtime.

Wear personal protective equipment. Depending on application, use face shield, safety goggles or safety glasses. As appropriate, wear dust mask, hearing protectors, gloves and workshop apron capable of stopping small abrasive or workpiece fragments. The eye protection must be capable of stopping flying debris generated by various operations. The dust mask or respirator must be capable of filtering particles generated by your operation. Prolonged exposure to high intensity noise may cause hearing loss.

Keep bystanders a safe distance away from work area. Anyone entering the work area must wear personal protective equipment. Fragments of workpiece or of a broken accessory may fly away and cause injury beyond immediate area of operation.

Hold the power tool by insulated gripping surfaces only, when performing an operation where the cutting accessory may contact hidden wiring or its own cord. Cutting accessory contacting a “live” wire may make exposed metal parts of the power tool “live” and could give the operator an electric shock.

Position the cord clear of the spinning accessory. If you lose control of the power tool, the cord may be cut or snagged and your hand or arm may be pulled into the spinning accessory.

Never lay the power tool down until the accessory has come to a complete stop. The spinning accessory may grab the surface and pull the power tool out of your control.

Do not run the power tool while carrying it at your side. Accidental contact with the spinning accessory could snag your clothing, pulling the accessory into your body.

Regularly clean the power tool’s air vents. The motor’s fan will draw the dust inside the housing and excessive accumulation of powdered metal may cause electrical hazards.

Do not operate the power tool near flammable materials. Sparks could ignite these materials.

Do not use accessories that require liquid coolants. Using water or other liquid coolants may result in electrocution or shock.

Kickback and related warnings

Kickback is a sudden reaction to a pinched or snagged rotating wheel, backing pad, brush or any other accessory. Pinching or snagging causes rapid stalling of the rotating accessory which in turn causes the uncontrolled power tool to be forced in the direction opposite of the accessory’s rotation at the point of the binding.

For example, if an abrasive wheel is snagged or pinched by the workpiece, the edge of the wheel that is entering into the pinch point can dig into the surface of the material causing the wheel to climb out or kick out. The wheel may either jump toward or away from the operator, depending on direction of the wheel’s movement at the point of pinching. Abrasive wheels may also break under these conditions.

Kickback is the result of power tool misuse and/or incorrect operating procedures or conditions and can be avoided by taking proper precautions as given below.

Maintain a firm grip on the power tool and position your body and arm to allow you to resist kickback forces. Always use auxiliary handle, if provided, for maximum control over kickback or torque reaction during start-up.

The operator can control torque reactions or kickback forces, if proper precautions are taken.

Never place your hand near the rotating accessory. Accessory may kickback over your hand.

Do not position your body in the area where power tool will move if kickback occurs. Kickback will propel the tool in direction opposite to the wheel's movement at the point of snagging.

Use special care when working corners, sharp edges, etc. Avoid bouncing and snagging the accessory. Corners, sharp edges or bouncing have a tendency to snag the rotating accessory and cause loss of control or kickback.

Do not attach a saw chain woodcarving blade or toothed saw blade. Such blades create frequent kickback and loss of control over the power tool.

Safety warnings specific for polishing operations

Do not allow any loose portion of the polishing bonnet or its attachment strings to spin freely. Tuck away or trim any loose attachment strings. Loose and spinning attachment strings can entangle your fingers or snag on the workpiece.

Further safety warnings

Use elastic spacers/liners when these are provided with the grinding accessory.

Make sure that the application tools are mounted in accordance with the manufacturer's instructions. The mounted application tools must be able to rotate freely. Incorrectly mounted application tools can become loose during operation and be thrown from the machine.

Handle grinding accessories carefully and store them according to the manufacturer's instructions. Damaged grinding accessories can develop cracks and burst during operation.

Do not direct the power tool against yourself, other persons or animals. Danger of injury from sharp or hot application tools.

Use a stationary extraction system, blow out ventilation slots frequently and connect a residual current device (RCD) on the line side. When working metal under extreme operating conditions, it is possible for conductive dust to settle in the interior of the power tool. The total insulation of the power tool can be impaired.

This double-insulated power tool is equipped with a polarized plug (one contact is wider than the other). The plug will only fit into the polarized socket outlet in one position. Turn the plug if it does not fit completely into the socket outlet. If the plug still does not fit, have a qualified electrician install a polarized socket outlet. Do not modify or alter the plug under any circumstances. Double-insulated power tools neither require a three-core power cable nor a power connection with ground contact.

Operate the power tool only off of power supplies whose voltage and frequency values correspond with the values on the type plate of the power tool.

When operating the power tool in a damp environment, it must be connected via a ground fault circuit interrupter (g.f.c.i.). Using special rubber protective gloves and footwear increase your own safety.

Use clamps or another practical way to secure and support the workpiece to a stable platform. Holding the work by hand or against your body leaves it unstable and may lead to loss of control.

Before mounting or replacing application tools or accessories, pull the power plug. This preventive safety measure rules out the danger of injuries through accidental starting of the power tool.

Do not rivet or screw any name-plates or signs onto the power tool. If the insulation is damaged, protection against an electric shock will be ineffective. Adhesive labels are recommended.

Always work with the auxiliary handle. The auxiliary handle ensures reliable guiding of the power tool.

Before putting into operation, check the mains connection and the mains plug for damage.

Recommendation: The tool should always be supplied with power via a residual current device (RCD) with a rated current of 30 mA or less.

Handling hazardous dusts.

⚠ WARNING When working with power tools, such as when grinding, sanding, polishing, sawing or for other work procedures where material is removed, dusts develop that are both hazardous to one's health and can spontaneously combust or be explosive.

Contact with or inhaling some dust types can trigger allergic reactions to the operator or bystanders and/or lead to respiratory infections, cancer, birth defects or other reproductive harm.

Examples of such materials and therein contained chemicals, where hazardous dusts can develop when working them, are:

- Asbestos and materials containing asbestos;
- Lead-containing coatings, some wood types such as beech and oak;
- Minerals and metal;
- Silicate particles from bricks, concrete and other materials containing stone;
- Solvent from solvent-containing paint/varnish;
- Arsenic, chromium and other wood preservatives;
- Materials for pesticide treatment on boat and ship hulls;
- Stainless steel dust, metal dust and non-ferrous metal dust.

Hand/arm vibrations.

⚠ WARNING While working with this power tool, hand/arm vibrations occur. These can lead to health impairments.

⚠ WARNING The vibration emission value during actual use of the power tool can differ from the declared value depending on the ways in which the tool is used.

⚠ WARNING It is necessary to identify safety measures to protect the operator that are based on an estimation of exposure in the actual conditions of use.

The vibration emission level given in this information sheet has been measured in accordance with a standardised test given in EN 60745 and may be used to compare one tool with another. It may be used for a preliminary assessment of exposure.

To minimise the unwanted intake of these materials:

- Use dust extraction matched appropriately for the developing dust.
- Use personal protective equipment, such as a P2 filter-class dust protection mask.
- Provide for good ventilation of the workplace.

The risk from inhaling dusts depends on the frequency how often these materials are worked. Materials containing asbestos may only be worked by specialists.

⚠ CAUTION Wood and light-metal dust can cause spontaneous combustion or explosions.

Hot mixtures of sanding dust and paint/varnish remainders or other chemical materials in the filter bag or the vac filter can self-ignite under unfavorable conditions, such as sparking from sanding metal, continuous sunlight or high ambient temperatures. To prevent this:

- Avoid overheating the material being sanded and the power tool.
- Empty the dust collector/container in time.
- Observe the material manufacturer's working instructions.
- Observe the relevant regulations in your country for the materials being worked.

The declared vibration emission level represents the main applications of the tool. However if the tool is used for different applications, with different accessories or poorly maintained, the vibration emission may differ. This may significantly increase the exposure level over the total working period. An estimation of the level of exposure to vibration should also take into account the times when the tool is switched off or when it is running but not actually doing the job. This may significantly reduce the exposure level over the total working period. Identify additional safety measures to protect the operator from the effects of vibration such as: maintain the tool and the accessories, keep the hands warm, organisation of work patterns.

Emission values for sound and vibration (Two-figure – specifications as per ISO 4871)**Sound emission****KS10-38E**

A-weighted emission pressure power level measured at the workplace L_{pA} (re 20 μ Pa), in decibels	85
Measuring uncertainty K_{pA} , in decibels	3
Measured A-weighted sound power level L_{wA} (re 1 pW), in decibels	96
Measuring uncertainty K_{wA} , in decibels	3
C-weighted peak sound pressure level measured at the workplace L_{pCpeak} , in decibels	101
Measuring uncertainty K_{pCpeak} , in decibels	3

Vibrations

Mean vibrational value for polishing (thickness of polishing tool: 3 mm)	
– m/s ²	2.5
– ft/s ²	8
Mean vibrational value for polishing (thickness of polishing tool: 6 mm)	
– m/s ²	5
– ft/s ²	16

REMARK: The sum of the measured emission value and respective measuring inaccuracy represents the upper limit of the values that can occur during measuring.



Wear hearing protection!

Measured values determined in accordance with the corresponding product standard.

Extension cable.

⚠ WARNING If the use of an extension cable is required, its length and conductor cross-section must be adequate for the applicational case, in order to prevent a voltage drop in the extension cable, power loss and overheating of the power tool. Otherwise, the extension cable and power tool are liable to electrical danger, and the working efficiency is impaired.

Recommended dimensions of extension cables at an operating voltage of 120 V – single-phase a. c., with only one power tool KS10-38E connected:

Max. cable length, ft			Max. cable length, m		
≤ 100	100	200	≤ 30	30	60
	–200	–300		– 60	–100
Min. conductor size (A.W.G.)			Min. conductor cross-section, mm ²		
16	14	12	1.5	2.5	4

Intended use of the power tool:











Hand-guided fillet weld grinder for dry polishing of surfaces in weather-protected environments with the application tools and accessories recommended by FEIN.

Operation of the power tool off power generators.

! This power tool is also suitable for use with AC generators with sufficient power output that correspond to the Standard ISO 8528, design type G2. This Standard is particularly not complied with when the so-called distortion factor exceeds 10 %. When in doubt, please refer to the generator instruction/specification guide.

⚠ WARNING Operating the power tool off power generators whose no-load speed exceeds the voltage value on the type plate of the power tool is prohibited.

Symbols.

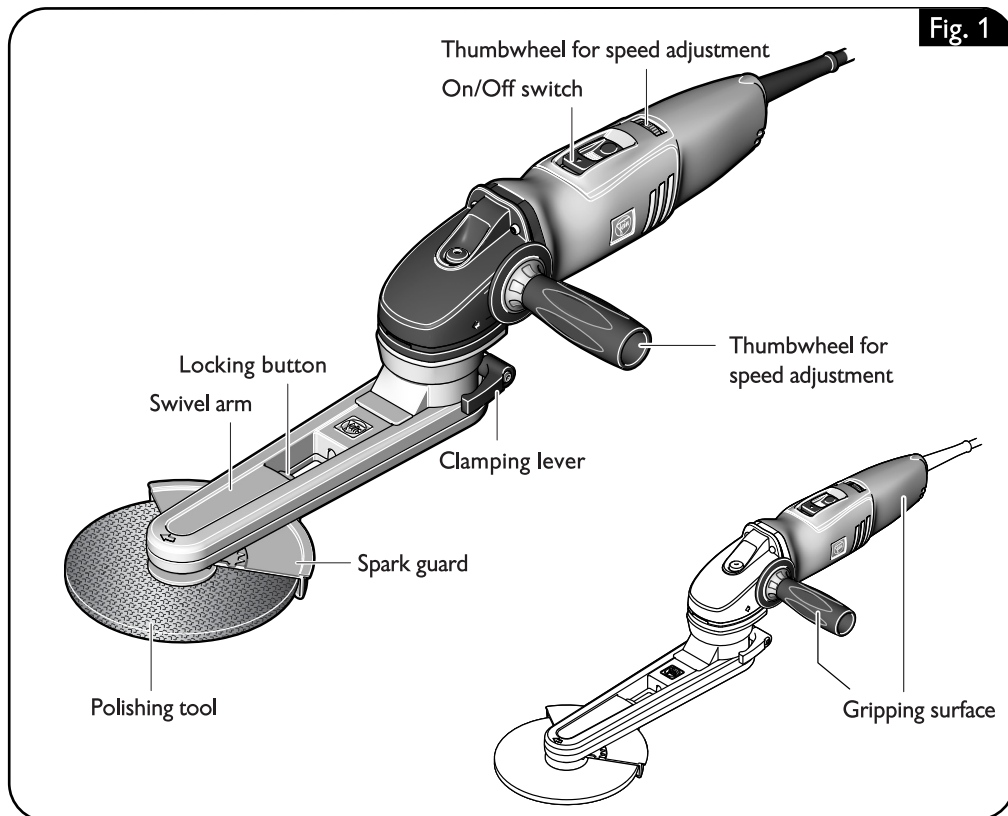
Symbol, character	Explanation
	Observe the instructions in the text or graphic opposite!
	Make sure to read the enclosed documents such as the Instruction Manual and the General Safety Instructions.
	Use eye protection during operation.
	Use ear protection during operation.
	This symbol confirms the certification of this product for the USA and Canada.
	This sign warns of a directly imminent, dangerous situation. A false reaction can cause a severe or fatal injury.
	This sign indicates a possible dangerous situation that could cause severe or fatal injury.
	This sign warns of a possible dangerous situation that could cause injury.
	Worn out power tools and other electrotechnical and electrical products should be sorted separately for environmental-friendly recycling.
	Product with double or reinforced insulation
~ or a. c.	Alternating current
1 ~	Alternating current, single-phase

Character	Unit of measurement, national	Explanation
<i>n</i>	rpm; /min	Rated speed
<i>P</i>	W	Unit of measure for electrical power
	°	Unit of measure for the angle width
<i>U</i>	V	Unit of measure for the electric voltage
<i>f</i>	Hz	Unit of measure for the frequency
<i>I</i>	A	Unit of measure for the electric current intensity
<i>m</i>	lbs	Unit of measure for the mass
<i>l</i>	ft, in	Unit of measure for length, width, height, depth, diameter or thread
∅	ft, in	Diameter of a round part
	m, s, kg, A, mm, V, W, Hz, N, °C, dB, min, m/s ²	Basic and derived units of measurement from the international system of units SI .

Technical description and specifications.

⚠ WARNING Before mounting or replacing application tools or accessories, pull the power plug. This preventive safety measure rules out the danger of injuries through accidental starting of the power tool.

The delivery scope of your power tool may include only a part of the accessories described or shown in this Instruction Manual.



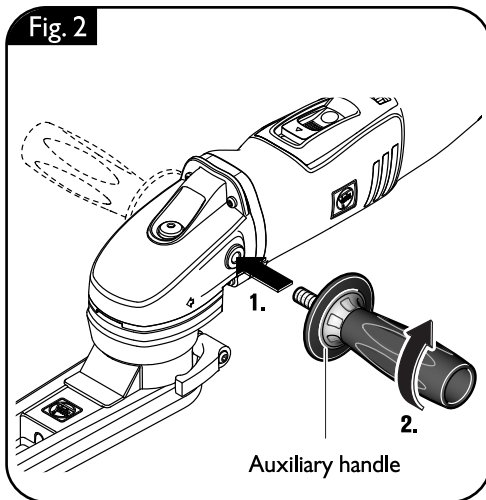
Type	KS10-38E
Order number	7 221 67
Power input	800 W
Output	550 W
Rated speed	1350 – 3750 rpm
Grinding disc diameter, max.	6 in 150 mm
Diameter of mounting hole	1 in 25 mm
Thickness of polishing tool	1/8 in, 1/4 in 3 mm, 6 mm
Thread for clamping flange	M14
Length of mounting thread	3/4 in 20 mm
Weight according to EPTA-Procedure 01	7.1 lbs (3.2 kg)
Class of protection	□/II

Assembly instructions.

⚠ WARNING Before mounting or replacing application tools or accessories, pull the power plug. This preventive safety measure rules out the danger of injuries through accidental starting of the power tool.

Mounting the auxiliary handle (figure 2).

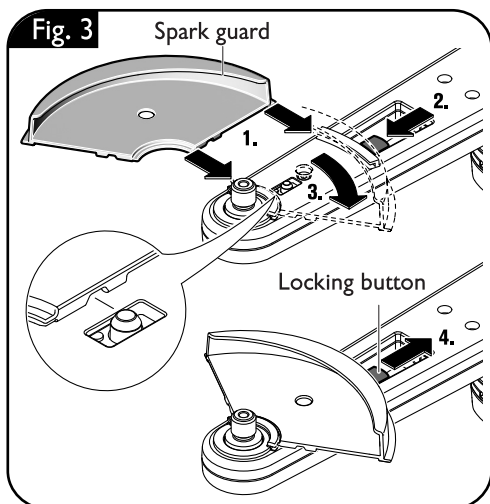
Depending on the working manner, screw the auxiliary handle right or left on the power tool.



Mounting the spark guard (figure 3).

Line up and attach the spark guard. Press the locking button halfway through and hold.

Note: The groove in the spark guard and the guide pin must be in line with each other. Turn the spark guard to the required working position and release the locking button.



Changing the tool..

⚠ WARNING Before mounting or replacing application tools or accessories, pull the power plug. This preventive safety measure rules out the danger of injuries through accidental starting of the power tool.

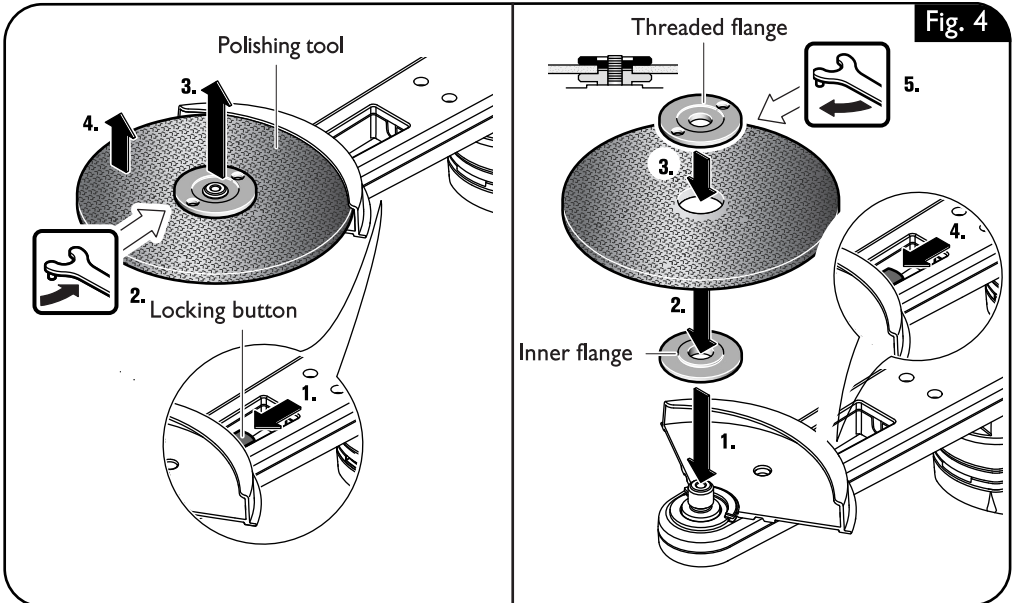
Mounting the polishing tool (figure 4).

- ❗ Press the locking button only when the motor is stopped.
- ❗ Do not press the locking button on the gear head.

Press the locking button completely through and hold it in place. Loosen the threaded flange with the double-pin wrench.

- ✋ Unscrew the threaded flange.
- ⚠ Replace the used-up polishing tool or insert a new one.

- ❗ Pay attention that the polishing tool is properly centered between the inner flange and the threaded flange. Manually screw on the threaded flange again. Press the locking button completely through and hold it in place. Tighten the threaded flange with the double-pin wrench.
- Note:** Pay attention to the mounting direction of the inner flange, see figure 4.



Adjustments.

⚠ WARNING Before mounting or replacing application tools or accessories, pull the power plug. This preventive safety measure rules out the danger of injuries through accidental starting of the power tool.

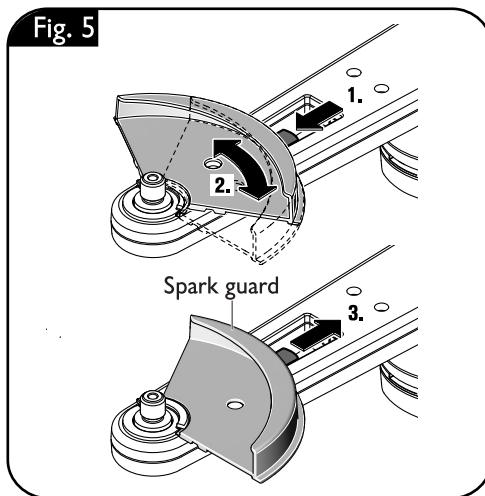
Adjusting the spark guard (figure 5).

Press the locking button completely through and hold it in place.

Turn the spark guard to the required working position.

Release the locking button again.

❗ Check the tight seating of the spark guard; its position may only be changed when pressing the locking button.

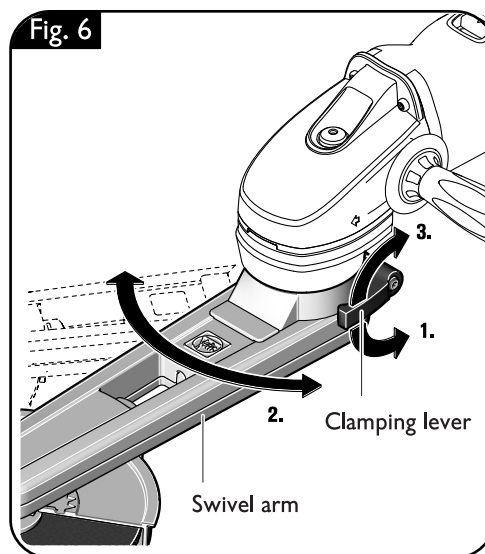


Adjusting the swivel arm (figure 6).

Release the clamping lever.

Set the swivel arm to the required working position.

Tighten the clamping lever again.



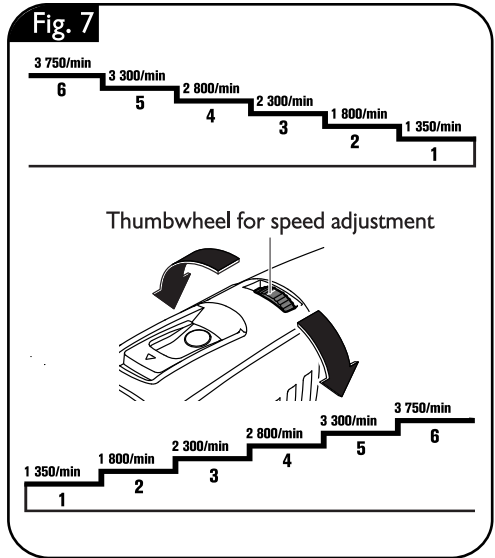
Working instructions.

⚠ WARNING Before mounting or replacing application tools or accessories, pull the power plug. This preventive safety measure rules out the danger of injuries through accidental starting of the power tool.

Adjusting the Speed.

(figure 7).

The speed range can be variably adjusted. Set the dial control between “1” for the lowest speed range and “6” for the highest speed range.



Switching on and off (figure 8).

⚠ WARNING Check the power supply cable and the plug for damage.

⚠ CAUTION Always hold the power tool firmly. Otherwise, you could lose control over the power tool.

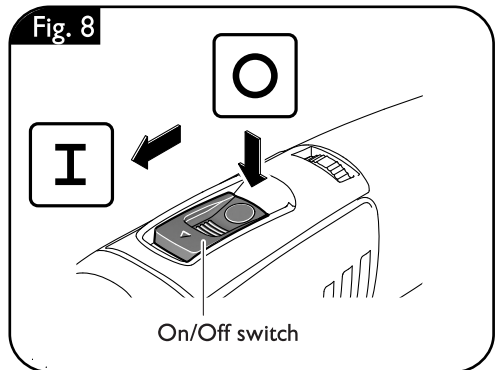
The self-start lock prevents the power tool from automatically restarting again, even after a brief interruption of the power supply, e. g., from a pulled mains plug.

Switching on:

Push the switch toward the front (I).

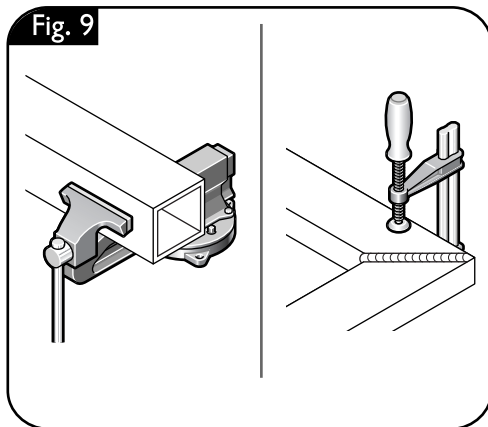
Switching off:

Press the switch downward (O).



Securing the workpiece (figure 9).

- !** **Secure the workpiece sufficiently.** An inadequately secured workpiece can, for example, cause the grinding accessory to jam. This can lead to kickback, cause the workpiece to fall down, and lead to other dangerous situations.



Repair and customer service.

⚠ WARNING Before mounting or replacing application tools or accessories, pull the power plug. This preventive safety measure rules out the danger of injuries through accidental starting of the power tool.

Exchangeable parts

If required, you can change the following parts yourself:

Application tools, auxiliary handle, clamping flanges, spark guard

Service.

⚠ WARNING Have maintenance carried out only through qualified personnel. Incorrectly mounted leads and components can cause serious injuries. Have the required service carried out only through a FEIN customer service agent.

Cleaning.

⚠ WARNING Prior to any cleaning or maintenance, disconnect the power tool from the power supply in order to avoid accidents.

⚠ WARNING When using in environments with conductive dust in the air, such as when working metals, this dust can settle in the interior of the power tool. This can impair the total insulation of the power

tool. Therefore, regularly blow out the interior of the power tool from outside via the ventilation openings with dry, oil-free compressed air; always wear eye protection when doing this. For additional protection, connect a ground fault circuit interrupter (g.f.c.i.) on the line side.

⚠ CAUTION Do not attempt to clean clogged or dirty ventilation openings of the power tool with pointed metal objects; use non-metal tools or objects for this.

⚠ CAUTION Do not use cleaning agents and solvents that can cause damage to plastic parts. These include: Gasoline, carbon-tetrachloride, chloric solvents, ammonia and domestic cleaning agents that contain ammonia.

⚠ CAUTION If the supply cable of this power tool is damaged, it must be replaced by a specially prepared cable available through the FEIN customer service center.

Warranty and liability.

The warranty for the product is valid in accordance with the legal regulations in the country where it is marketed. In addition, FEIN also provides a guarantee in accordance with the FEIN manufacturer's warranty declaration.

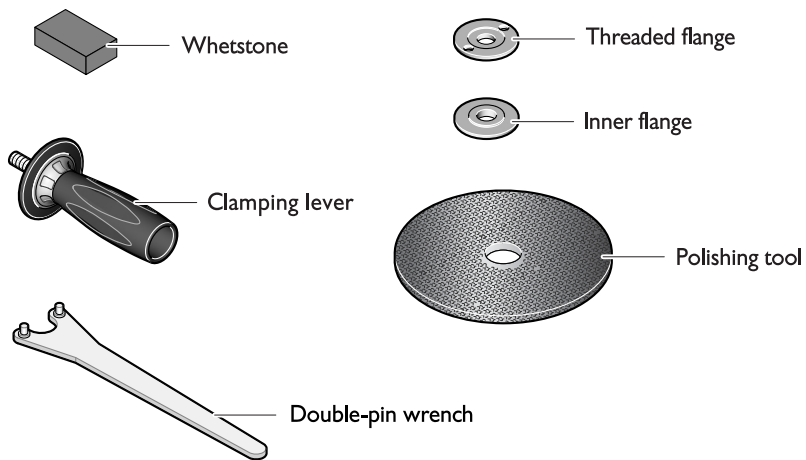
The delivery scope of your power tool may include only a part of the accessories described or shown in this Instruction Manual.

Environmental protection, disposal.

Packaging, worn out power tools and accessories should be sorted for environmental-friendly recycling.

Provided accessories (figure 10).

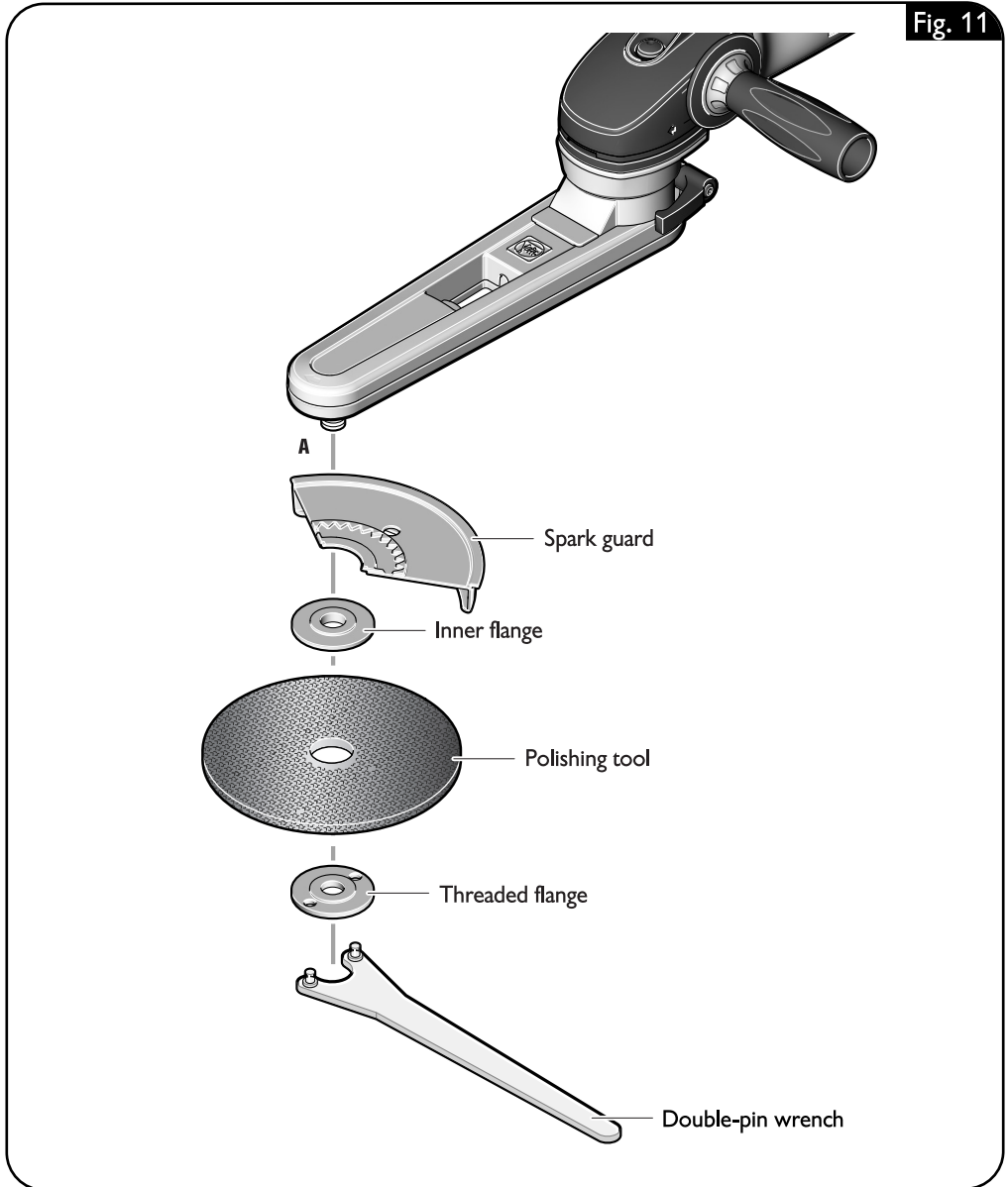
Fig. 10



Selection of accessories (figure 11).

Use only original FEIN accessories. The accessories must be intended for the power tool type.

A Polishing tool
(use only with mounted spark guard)




Pour votre sécurité.

AVERTISSEMENT Lisez tous les avertissements de sécurité et

toutes les instructions. Ne pas suivre les avertissements et instructions peut donner lieu à une électrocution, un incendie et/ou une blessure sérieuse.

Conservez tous les avertissements et toutes les instructions pour pouvoir vous y reporter ultérieurement.

 Ne pas utiliser cet outil électrique avant d'avoir soigneusement lu et parfaitement compris cette notice d'utilisation y compris les figures, les spécifications, les consignes de sécurité ainsi que les indications marquées par DANGER, AVERTISSEMENT et ATTENTION. N'utiliser cet outil électrique que pour les travaux pour lesquels il a été conçu par FEIN. N'utiliser que des outils de travail et accessoires autorisés par FEIN.

De même, respectez les dispositions concernant la prévention des accidents du travail en vigueur dans le pays en question.

Le non-respect des instructions de sécurité se trouvant dans la documentation mentionnée peut entraîner un choc électrique, un incendie et/ou de graves blessures.

Bien garder cette notice d'utilisation en vue d'une utilisation ultérieure ; elle doit être jointe à l'appareil en cas de transmission ou de vente à une tierce personne.

GARDER SOIGNEUSEMENT CES INSTRUCTIONS DE SÉCURITÉ.

Le terme « outil électrique » dans les consignes de sécurité fait référence à votre outil électrique alimenté par le secteur (avec cordon d'alimentation) ou votre outil fonctionnant sur batterie (sans cordon d'alimentation).

Instructions générales de sécurité.

1) Zone de travail

a) **Conserver la zone de travail propre et bien éclairée.** Les zones en désordre ou sombres sont propices aux accidents.

b) **Ne pas faire fonctionner les outils électrique en atmosphère explosive, par exemple en présence de liquides inflammables, de gaz ou de poussières.** Les outils électroportatifs produisent des

étincelles qui peuvent enflammer les poussières ou les fumées.

c) **Maintenir les enfants et les personnes présentes à l'écart pendant l'utilisation de l'outil.** Les distractions peuvent vous faire perdre le contrôle de l'outil.

2) Sécurité électrique

a) **Il faut que les fiches de l'outil électrique soient adaptées au socle. Ne jamais modifier la fiche de quelque façon que ce soit. Ne pas utiliser d'adaptateurs avec des outils à branchement de terre.** Des fiches non modifiées et des socles adaptés réduiront le risque de choc électrique.

b) **Éviter tout contact du corps avec des surfaces reliées à la terre telles que les tuyaux, les radiateurs, les cuisinières et les réfrigérateurs.** Il existe un risque accru de choc électrique si votre corps est relié à la terre.

c) **Ne pas exposer les outils à la pluie ou à des conditions humides.** La pénétration d'eau à l'intérieur d'un outil augmentera le risque de choc électrique.

d) **Ne pas maltraiter le cordon. Ne jamais utiliser le cordon pour porter, tirer ou débrancher l'outil. Maintenir le cordon à l'écart de la chaleur, du lubrifiant, des arêtes ou des parties en mouvement.** Des cordons endommagés ou emmêlés augmentent le risque de choc électrique.

e) **Lorsqu'on utilise un outil à l'extérieur, utiliser un prolongateur adapté à l'utilisation extérieure.** L'utilisation d'un cordon adapté à l'utilisation extérieure réduit le risque de choc électrique.

f) **Si l'usage d'un outil dans un emplacement humide est inévitable, utilisez une alimentation protégée par un dispositif à courant différentiel résiduel (RCD).** L'usage d'un RCD réduit le risque de choc électrique.

3) Sécurité des personnes

a) **Rester vigilant, regarder ce que vous êtes en train de faire. Faire preuve de bon sens dans votre utilisation de l'outil. Ne pas utiliser un outil lorsque vous êtes fatigué ou sous l'emprise de drogues, d'alcool ou de médicaments.** Un moment d'inattention en cours d'utilisation d'un outil peut entraîner des blessures graves des personnes.

- b) Utiliser un équipement de sécurité. Toujours porter une protection pour les yeux.** Les équipements de sécurité tels que les masques contre les poussières, les chaussures de sécurité antidérapantes, les casques ou les protections acoustiques utilisés pour les conditions appropriées réduiront les blessures de personnes.
- c) Éviter tout démarrage intempestif. S'assurer que l'interrupteur est en position arrêt avant de retirer la fiche de la prise de courant.** Porter les outils en ayant le doigt sur l'interrupteur ou brancher des outils dont l'interrupteur est en position marche est source d'accidents.
- d) Retirer toute clé de réglage avant de mettre l'outil en marche.** Une clé laissée fixée sur une partie tournante de l'outil peut donner lieu à des blessures de personnes.
- e) Ne pas se précipiter. Garder une position et un équilibre adaptés à tout moment.** Cela permet un meilleur contrôle de l'outil dans des situations inattendues.
- f) S'habiller de manière adaptée. Ne pas porter de vêtements amples ou de bijoux. Garder les cheveux, les vêtements et les gants à distance des parties en mouvement.** Des vêtements amples, des bijoux ou les cheveux longs peuvent être pris dans des parties en mouvement.
- g) Si des dispositifs sont fournis pour le raccordement d'équipements pour l'extraction et la récupération des poussières, s'assurer qu'ils sont connectés et correctement utilisés.** Utiliser des collecteurs de poussière peut réduire les risques dus aux poussières.
- 4) Utilisation et entretien de l'outil**
- a) Ne pas forcer l'outil. Utiliser l'outil adapté à votre application.** L'outil adapté réalisera mieux le travail et de manière plus sûre au régime pour lequel il a été construit.
- b) Ne pas utiliser l'outil si l'interrupteur ne permet pas de passer de l'état de marche à arrêt et vice versa.** Tout outil qui ne peut pas être commandé par l'interrupteur est dangereux et il faut le réparer.
- c) Débrancher la fiche de la source d'alimentation en courant et/ou le bloc de batteries de l'outil avant tout réglage, changement d'accessoires ou avant de ranger l'outil.** De telles mesures de sécurité préventives réduisent le risque de démarrage accidentel de l'outil.
- d) Conserver les outils à l'arrêt hors de la portée des enfants. Ne pas permettre à des personnes ne connaissant pas l'outil ou les présentes instructions de le faire fonctionner.** Les outils sont dangereux entre les mains d'utilisateurs novices.
- e) Observer la maintenance de l'outil. Vérifier qu'il n'y a pas de mauvais alignement ou de blocage des parties mobiles, des pièces cassées ou toute autre condition pouvant affecter le fonctionnement de l'outil. En cas de dommages, faire réparer l'outil avant de l'utiliser.** De nombreux accidents sont dus à des outils mal entretenus.
- f) Garder affûtés et propres les outils permettant de couper.** Des outils destinés à couper correctement entretenus avec des pièces coupantes tranchantes sont moins susceptibles de bloquer et sont plus faciles à contrôler.
- g) Utiliser l'outil, les accessoires et les lames etc., conformément à ces instructions et aux prescriptions en vigueur pour ce type d'appareil. Tenir compte également des conditions de travail et du travail à réaliser.** L'utilisation de l'outil pour des opérations différentes de celles prévues pourrait donner lieu à des situations dangereuses.
- 5) Maintenance et entretien**
- a) Faire entretenir l'outil par un réparateur qualifié utilisant uniquement des pièces de rechange identiques.** Cela assurera que la sécurité de l'outil est maintenue.

Instructions particulières de sécurité.

Avertissements de sécurité pour polisseuses

Cet outil électrique est destiné à fonctionner comme ponceuse-polisseuse. Lire toutes les mises en garde de sécurité, les instructions, les illustrations et les spécifications fournies avec cet outil électrique. Le fait de ne pas suivre toutes les instructions données ci-dessous peut provoquer un choc électrique, un incendie et/ou une blessure grave.

Les opérations de meulage, de ponçage, de brossage métallique ou de tronçonnage ne sont pas recommandées avec cet outil électrique. Les opérations pour lesquelles cet outil électrique n'a pas été conçu peuvent provoquer un danger et causer un accident corporel.

Ne pas utiliser d'accessoires non conçus spécifiquement et recommandés par le fabricant d'outils. Le simple fait que l'accessoire puisse être fixé à votre outil électrique ne garantit pas un fonctionnement en toute sécurité.

La vitesse assignée de l'accessoire doit être au moins égale à la vitesse maximale indiquée sur l'outil électrique. Les accessoires fonctionnant plus vite que leur vitesse assignée peuvent se rompre et voler en éclat.

Le diamètre extérieur et l'épaisseur de votre accessoire doivent se situer dans le cadre des caractéristiques de capacité de votre outil électrique. Les accessoires dimensionnés de façon incorrecte ne peuvent pas être protégés ou commandés de manière appropriée.

La taille de mandrin des meules, flasques, patins d'appui ou tout autre accessoire doit s'adapter correctement à l'arbre de l'outil électrique. Les accessoires avec alésages centraux ne correspondant pas aux éléments de montage de l'outil électrique seront en déséquilibre, vibreront excessivement, et pourront provoquer une perte de contrôle.

Ne pas utiliser d'accessoire endommagé. Avant chaque utilisation examiner les accessoires comme les meules abrasives pour détecter la présence éventuelle de copeaux et fissures, les patins d'appui pour détecter des traces éventuelles de fissures, de déchirure ou d'usure excessive, ainsi que les brosses métalliques pour détecter des fils desserrés

ou fissurés. Si l'outil électrique ou l'accessoire a subi une chute, examiner les dommages éventuels ou installer un accessoire non endommagé. Après examen et installation d'un accessoire, placez-vous ainsi que les personnes présentes à distance du plan de l'accessoire rotatif et faites marcher l'outil électrique à vitesse maximale à vide pendant 1 min. Les accessoires endommagés seront normalement détruits pendant cette période d'essai.

Porter un équipement de protection individuelle. En fonction de l'application, utiliser un écran facial, des lunettes de sécurité ou des verres de sécurité. Le cas échéant, utiliser un masque antipoussières, des protections auditives, des gants et un tablier capables d'arrêter les petits fragments abrasifs ou des pièces à usiner. La protection oculaire doit être capable d'arrêter les débris volants produits par les diverses opérations. Le masque antipoussières ou le masque respiratoire doit être capable de filtrer les particules produites par vos travaux. L'exposition prolongée aux bruits de forte intensité peut provoquer une perte de l'audition.

Maintenir les personnes présentes à une distance de sécurité par rapport à la zone de travail. Toute personne entrant dans la zone de travail doit porter un équipement de protection individuelle. Des fragments de pièce à usiner ou d'un accessoire cassé peuvent être projetés et provoquer des blessures en dehors de la zone immédiate d'opération.

Tenir l'outil uniquement par les surfaces de préhension isolantes, pendant les opérations au cours desquelles l'accessoire coupant peut être en contact avec des conducteurs cachés ou avec son propre câble. Le contact de l'accessoire coupant avec un fil « sous tension » peut mettre « sous tension » les parties métalliques exposées de l'outil électrique et provoquer un choc électrique sur l'opérateur.

Placer le câble éloigné de l'accessoire en rotation. Si vous perdez le contrôle, le câble peut être coupé ou subir un accroc et votre main ou votre bras peut être tiré dans l'accessoire en rotation.

Ne jamais reposer l'outil électrique avant que l'accessoire n'ait atteint un arrêt complet.

L'accessoire de rotation peut agripper la surface et arracher l'outil électrique hors de votre contrôle.

Ne pas faire fonctionner l'outil électrique en le portant sur le côté. Un contact accidentel avec l'accessoire en rotation pourrait accrocher vos vêtements et attirer l'accessoire sur vous.

Nettoyer régulièrement les orifices d'aération de l'outil électrique. Le ventilateur du moteur attirera la poussière à l'intérieur du boîtier et une accumulation excessive de poudre de métal peut provoquer des dangers électriques.

Ne pas faire fonctionner l'outil électrique à proximité de matériaux inflammables. Des étincelles pourraient enflammer ces matériaux.

Ne pas utiliser d'accessoires qui nécessitent des réfrigérants fluides. L'utilisation d'eau ou d'autres réfrigérants fluides peut aboutir à une électrocution ou un choc électrique.

Rebonds et mises en garde correspondantes

Le rebond est une réaction soudaine au pincement ou à l'accrochage d'une meule rotative, d'un patin d'appui, d'une brosse ou de tout autre accessoire. Le pincement ou l'accrochage provoque un blocage rapide de l'accessoire en rotation qui, à son tour, contraint l'outil électrique hors de contrôle dans le sens opposé de rotation de l'accessoire au point du grippage.

Par exemple, si une meule abrasive est accrochée ou pincée par la pièce à usiner, le bord de la meule qui entre dans le point de pincement peut creuser la surface du matériau, provoquant des sauts ou l'expulsion de la meule. La meule peut sauter en direction de l'opérateur ou encore en s'en éloignant, selon le sens du mouvement de la meule au point de pincement. Les meules abrasives peuvent également se rompre dans ces conditions. Le rebond résulte d'un mauvais usage de l'outil et/ou de procédures ou de conditions de fonctionnement incorrectes et peut être évité en prenant les précautions appropriées spécifiées ci-dessous.

Maintenir solidement l'outil et positionner le corps et le bras de manière à pouvoir résister aux forces de rebond. Toujours utiliser la poignée auxiliaire, le cas échéant, pour contrôler au maximum les rebonds ou les réactions de couple au moment du démarrage. L'opérateur est en mesure de contrôler les réactions de couple ou les forces de rebond, si des précautions appropriées ont été prises.

Ne jamais placer votre main à proximité de l'accessoire en rotation. L'accessoire peut effectuer un rebond sur votre main.

Ne pas vous placer dans la zone où l'outil électrique se déplacera en cas de rebond. Le rebond pousse l'outil dans le sens opposé au mouvement de la meule au point d'accrochage.

Etre particulièrement prudent lors d'opérations sur des coins, des arêtes vives etc. Éviter que l'accessoire ne rebondisse et ne s'accroche. Les coins, les arêtes vives ou les rebondissements ont tendance à accrocher l'accessoire en rotation et à provoquer une perte de contrôle ou un rebond.

Ne pas fixer de chaîne coupante ni de lame de scie dentée. De telles lames provoquent des rebonds fréquents et des pertes de contrôle.

Mises en garde de sécurité spécifiques aux opérations de lustrage

Ne permettre à aucune partie lâche du bonnet de lustrage ou de ses fils de fixation de tourner librement. Cacher ou tailler tous les fils de fixation lâches. Les fils de fixation lâches et en rotation peuvent s'enchevêtrer sur vos doigts ou s'accrocher sur la pièce à usiner.

Avertissements de sécurité supplémentaires

Utilisez les entretoises si celles-ci sont fournies avec la meule.

Assurez-vous que les accessoires sont montés conformément aux indications du fabricant. Une fois les accessoires montés, ils doivent pouvoir tourner librement. Les accessoires mal montés peuvent se détacher pendant le travail et être éjectés hors de l'appareil.

Maniez avec précaution les meules et rangez-les conformément aux instructions du fabricant. Les meules endommagées peuvent avoir des fissures et se fendre lors du travail.

Ne dirigez pas l'outil électrique vers vous-même ou vers d'autres personnes ou des animaux. Il y a un danger de blessure causé par des outils de travail tranchants ou chauds.

Utilisez un dispositif d'aspiration stationnaire, soufflez souvent les ouïes de ventilation et placez un dispositif différentiel à courant résiduel (DDR) en amont. En cas de conditions d'utilisation extrêmes, il est possible, lorsqu'on travaille des matériaux métalliques, que des poussières conductrices se déposent à l'intérieur de l'outil électrique. Cela peut nuire à la double isolation de l'outil électrique.

Cet outil électrique à double isolation est équipé d'une fiche polarisée (un contact est plus large que l'autre). La fiche ne peut être introduite dans la prise polarisée que dans une seule position. Tourner la fiche au cas où celle-ci n'entrerait pas complètement dans la prise de courant. Au cas où la fiche n'entrerait toujours pas, faire appel à un électricien autorisé à effectuer l'installation d'une prise de courant polarisée. Ne modifier la fiche en aucun cas. Les outils électriques à double isolation n'ont pas besoin d'un câble de secteur à 3 brins ni d'une connexion au secteur mise à la terre.

N'exploiter l'outil électrique qu'aux alimentations en courant dont les valeurs de tension et de fréquence correspondent aux valeurs indiquées sur la plaque signalétique de l'outil électrique.

Maniement de poussières nocives.

⚠ AVERTISSEMENT Lors du travail avec des outils, par ex. lors du ponçage, polissage, sciage ou d'autres opérations enlevant du matériau, des poussières sont générées qui peuvent être nocives pour la santé, auto-inflammables ou explosives.

Toucher ou aspirer certaines poussières peut causer des réactions allergiques et/ou des maladies respiratoires, un cancer, des malformations à la naissance ou autres anomalies de reproduction auprès de l'utilisateur ou de personnes se trouvant à proximité.

Quelques exemples de tels matériaux et des produits chimiques qu'ils contiennent dont l'usage génère des poussières nocives :

Au cas où il faudrait utiliser l'outil électrique dans un emplacement humide, celui-ci doit être branché au moyen d'un dispositif à courant différentiel réduit (RCC). L'utilisation de gants de protection spécifiques en caoutchouc et de chaussures de protection augmente la sécurité personnelle.

Utiliser des dispositifs de serrage ou d'autres moyens appropriés pour sécuriser la pièce à travailler sur un support stable. Bloquer la pièce avec la main ou la presser contre le corps ne suffit pas et peut entraîner une perte de contrôle.

Avant de commencer les travaux de montage ou avant de changer les outils de travail et les accessoires, retirer la fiche de secteur. Cette mesure de sécurité préventive exclut un danger de blessure causé par un démarrage non intentionné de l'outil électrique.

Il est interdit de visser ou de riveter des plaques ou des repères sur l'outil électrique.

Une isolation endommagée ne présente aucune protection contre une électrocution. Utilisez des autocollants.

Toujours travailler avec la poignée supplémentaire. La poignée supplémentaire garantit un guidage sûr de l'outil électrique.

Avant la mise en service, assurez-vous que le câble de raccordement et la fiche sont en parfait état.

Recommandation : Faites toujours fonctionner l'outil électrique sur un réseau électrique équipé d'un disjoncteur différentiel 30 mA max.

- l'amiante et les matériaux contenant de l'amiante ;
- peintures contenant du plomb, certains bois tels que le bois de chêne et de hêtre ;
- minéraux et métal ;
- les particules de silicate contenues dans les briques, le béton et autres matériaux contenant de la roche ;
- les solvants contenus dans les vernis et peintures ;
- l'arsenic, le chrome et d'autres lazures ;
- produits pour la lutte contre les vermines sur la coque de bateaux et de bâtiments ;
- poussières d'aciers fins, poussières de métaux et poussières de métaux non-ferreux.

Pour minimiser la résorption indésirable de ces matériaux :

- Utilisez une aspiration adaptée à la poussière générée.
- Utilisez des équipements personnels de protection tels que par exemple un masque anti-poussière de la classe filtre P2.
- Veillez à bien aérer la zone de travail.

Le risque causé par l'inhalation des poussières dans les poumons dépend de la fréquence à laquelle ces matériaux sont usinés. Les matériaux contenant de l'amiante ne doivent être usinés que par des personnes qualifiées.

⚠ ATTENTION **Les poussières de bois et les poussières de métaux légers peuvent causer une auto-inflammation ou une explosion.**

Des mélanges chauds de poussières de ponçage contenant des résidus de vernis, de polyuréthane ou de produits chimiques dans le sac à poussières en papier ou dans le filtre de l'aspirateur peuvent s'enflammer dans des conditions défavorables tels que projection d'étincelles lors du ponçage de métaux, soleil direct permanent ou température ambiante élevée. Pour prévenir ces conditions :

- Évitez la surchauffe des matériaux usinés et de l'outil électrique.
- Videz le bac de récupération des poussières à temps.
- Respectez les indications de travail du fabricant du matériau.
- Respectez les règlements en vigueur dans votre pays spécifiques aux matériaux à traiter.

Vibrations mains-bras.

⚠ AVERTISSEMENT **Des vibrations mains-bras sont générées lors du travail avec cet outil électrique.** Celles-ci peuvent entraîner des effets néfastes sur la santé.

⚠ AVERTISSEMENT La valeur réelle des vibrations lors de l'utilisation de l'outil électrique peut dévier des valeurs indiquées, en fonction de l'utilisation de l'outil électrique.

⚠ AVERTISSEMENT Pour protéger l'opérateur, des mesures de sécurité doivent être déterminées sur la base de la sollicitation vibratoire estimée pendant l'utilisation effective.

Le niveau d'oscillation indiqué dans ces instructions d'utilisation a été mesuré conformément à la norme EN 60745 et peut être utilisé pour une comparaison d'outils électroportatifs. Il est également approprié pour une estimation préliminaire de la charge vibratoire.

Le niveau d'oscillation correspond aux utilisations principales de l'outil électroportatif. Si l'outil électrique est cependant utilisé pour d'autres applications, avec d'autres outils de travail ou avec un entretien non approprié, le niveau d'oscillation peut être différent. Ceci peut augmenter considérablement la charge vibratoire pendant toute la durée de travail. Pour une estimation précise de la charge vibratoire, il est recommandé de prendre aussi en considération les périodes pendant lesquelles l'appareil est éteint ou en fonctionnement, mais pas vraiment utilisé. Ceci peut réduire considérablement la charge vibratoire pendant toute la durée de travail.

Déterminez des mesures de protection supplémentaires pour protéger l'utilisateur des effets de vibrations, telles que par exemple : entretien de l'outil électrique et des outils de travail, maintenir les mains chaudes, organisation judicieuse des opérations de travail.

Valeurs d'émission pour niveau sonore et vibration (Indication à deux chiffres conformément à la norme ISO 4871)

Emission acoustique

KS10-38E

Mesure réelle (A) du niveau de pression acoustique sur le lieu de travail L_{pA} (re 20 μ Pa), en décibel	85
Incertitude K_{pA} , en décibel	3
Mesure réelle (A) du niveau d'intensité acoustique pondéré L_{wA} (re 1 pW), en décibel	96
Incertitude K_{wA} , en décibel	3
Mesure réelle (C) du niveau max. de pression acoustique sur le lieu de travail L_{pCpeak} , en décibel	101
Incertitude K_{pCpeak} , en décibel	3

Vibration

Valeur de vibration moyenne pour le polissage (épaisseur de l'outil de polissage : 3 mm)	
- m/s^2	2.5
- ft/s^2	8
Valeur de vibration moyenne pour le polissage (épaisseur de l'outil de polissage : 6 mm)	
- m/s^2	5
- ft/s^2	16

REMARQUE : La somme de la valeur d'émission mesurée et de l'incertitude constitue la limite supérieure des valeurs qui peuvent apparaître pendant des mesurages.



Porter une protection acoustique !

Valeurs de mesure mesurées conformément à la norme correspondante du produit.

Câble de rallonge.

⚠ AVERTISSEMENT Au cas où une rallonge serait nécessaire, la longueur ainsi que la section du conducteur de celle-ci doivent être appropriées à l'utilisation afin d'éviter une baisse de tension dans la rallonge, une perte de puissance et une surchauffe de l'outil électrique. Sinon la rallonge et l'outil électrique présentent des dangers électriques et l'efficacité du travail est entravée.

Dimensions recommandées de la rallonge pour une tension de service de 120 V – courant alternatif monophasé lors du branchement d'un outil électrique KS10-38E :

Longueur du câble en pieds			Longueur du câble en m		
≤ 100	100 -200	200 -300	≤ 30	30 - 60	60 -100
Dimension min. du conducteur en format américain (A.W.G.)			Section min. du conducteur, mm ²		
16	14	12	1.5	2.5	4

Conception de l'outil électrique :

ponceuse pour soudures d'angle pour le ponçage à sec de surfaces à l'abri des intempéries avec les outils de travail et les accessoires autorisés par FEIN.

Fonctionnement de l'outil électrique avec des générateurs de courant.

❗ Cet outil électrique est également conçu pour fonctionner sur des groupes électrogènes d'une puissance suffisante correspondant à la norme ISO 8528, classe de modèle G2. Cette norme n'est pas respectée si le facteur de distorsion harmonique dépasse 10 %. En cas de doute, informez-vous sur le groupe électrogène utilisé.

⚠ AVERTISSEMENT Il est interdit de faire fonctionner l'outil électrique sur des générateurs de courant dont la tension à vide dépasse la valeur de tension indiquée sur la plaque signalétique de l'outil électrique.

Symboles.

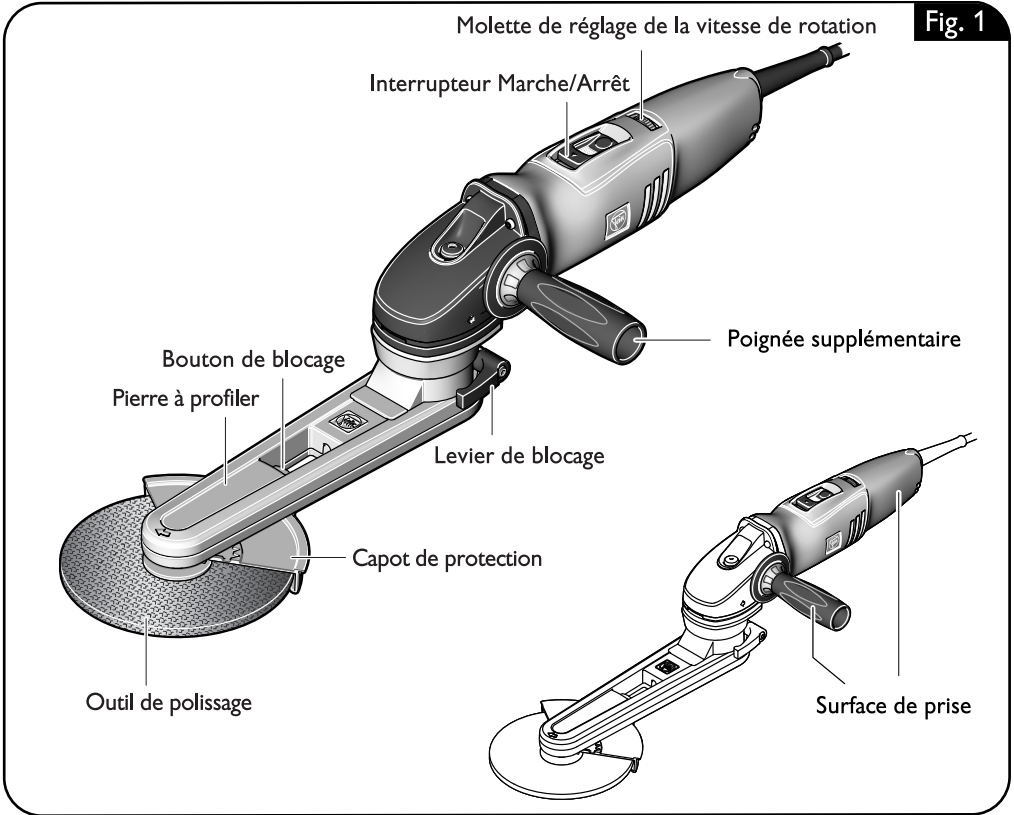
Symbole, signe	Explication
	Suivre les indications données dans le texte ou la représentation graphique ci-contre !
	Lire impérativement les documents ci-joints tels que la notice d'utilisation et les instructions générales de sécurité.
	Lors des travaux, porter une protection oculaire.
	Lors des travaux, porter une protection acoustique.
	Ce symbole confirme la certification de ce produit aux Etats-Unis et au Canada.
	Cette indication met en garde contre une situation dangereuse imminente. Une mauvaise manipulation peut entraîner de graves blessures ou la mort.
	Cette indication indique une situation éventuellement dangereuse pouvant entraîner de graves blessures ou la mort.
	Cette indication met en garde contre une situation potentiellement dangereuse qui peut entraîner des blessures.
	Trier les outils électriques ainsi que tout autre produit électrotechnique et électrique et les déposer à un centre de recyclage respectant les directives relatives à la protection de l'environnement.
	Produit avec double isolation ou isolation renforcée
~ ou a. c.	Courant alternatif
1 ~	Courant alternatif, monophasé

Signe	Unité nationale	Explication
n	rpm; /min	Vitesse de référence
P	W	Unité de mesure pour la puissance électrique
	°	Unité de mesure pour la largeur d'angle
U	V	Unité de mesure pour la tension électrique
f	Hz	Unité de mesure pour la fréquence
I	A	Unité de mesure pour l'intensité du courant électrique
m	lbs	Unité de mesure pour la masse
l	ft, in	Unité de mesure pour longueur, largeur, hauteur, profondeur, diamètre ou filetage
Ø	ft, in	Diamètre d'un élément
	m, s, kg, A, mm, V, W, Hz, N, °C, dB, min, m/s ²	Unités de base et unités dérivées du système international SI .

Description technique et spécification.

⚠ AVERTISSEMENT Avant de commencer les travaux de montage ou avant de changer les outils de travail et les accessoires, retirer la fiche de secteur. Cette mesure de sécurité préventive exclut un danger de blessure causé par un démarrage non intentionné de l'outil électrique.

Il se peut que seule une partie des accessoires décrits ou représentés dans cette notice d'utilisation soit fournie avec l'outil électrique.



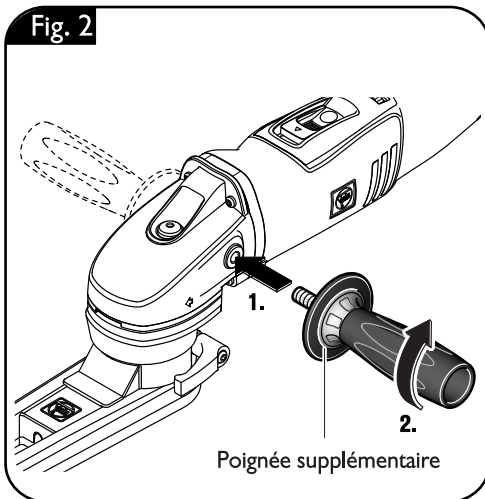
Type	KS10-38E
Référence	7 221 67
Puissance absorbée	800 W
Puissance utile	550 W
Vitesse de référence	1350 – 3750 tr/min
Diamètre max. de la meule	6 in 150 mm
Diamètre de l'alésage	1 in 25 mm
Épaisseur de l'outil de polissage	1/8 in, 1/4 in 3 mm, 6 mm
Filetage de la flasque de serrage	M14
Longueur de la broche filetée	3/4 in 20 mm
Poids suivant EPTA-Procedure 01	7.1 lbs (3.2 kg)
Classe de protection	□/II

Indications de montage.

⚠ AVERTISSEMENT Avant de commencer les travaux de montage ou avant de changer les outils de travail et les accessoires, retirer la fiche de secteur. Cette mesure de sécurité préventive exclut un danger de blessure causé par un démarrage non intentionné de l'outil électrique.

Montage de la poignée supplémentaire (Figure 2).

En fonction du mode de travail, serrez la poignée supplémentaire à droite ou à gauche de l'outil électrique.

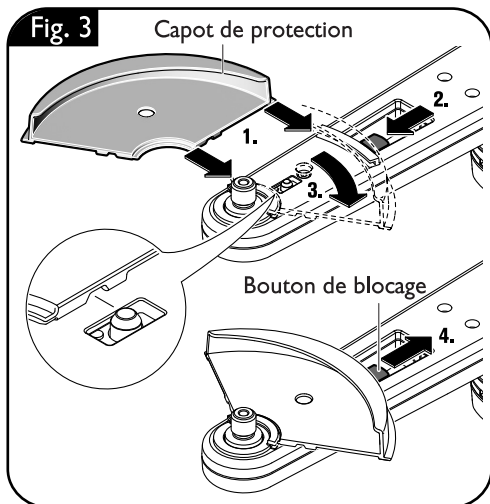


Montage du capot de protection (Figure 3).

Mettez le capot de protection en place. Enfoncez le bouton de blocage à moitié et maintenez-le dans cette position.

Remarque : La rainure et la tige de guidage doivent coïncider.

Tournez le capot de protection pour obtenir la position de travail souhaitée et relâchez le bouton de blocage.



Changement d'outil..

⚠ AVERTISSEMENT Avant de commencer les travaux de montage ou avant de changer les outils de travail et les accessoires, retirer la fiche de secteur. Cette mesure de sécurité préventive exclut un danger de blessure causé par un démarrage non intentionné de l'outil électrique.

Montage de l'outil de polissage (Figure 4).

- ❗ N'actionnez le bouton de blocage que lorsque le moteur est à l'arrêt.
 - ❗ N'actionnez pas le bouton de blocage de la tête d'engrenage.
- Enfoncez le bouton de blocage complètement et maintenez-le dans cette position. Desserrez la flasque fileté à l'aide de la clé à ergots.



Dévissez la flasque fileté.



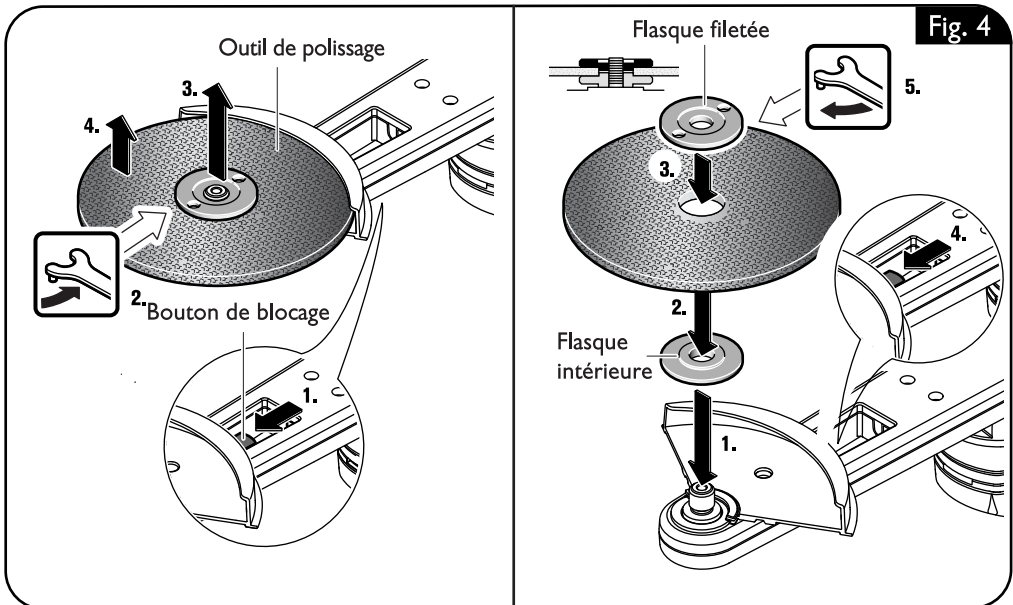
Remplacez l'outil de polissage usé ou montez un outil de polissage neuf.



Veillez à ce que l'outil de polissage soit bien centré entre la flasque intérieure et la flasque fileté.

Resserrez la flasque fileté manuellement. Enfoncez le bouton de blocage complètement et maintenez-le dans cette position. Serrez la flasque fileté à l'aide de la clé à ergots.

Remarque : Veillez à respecter le sens de montage de la flasque intérieure, voir figure 4.



Réglages.

⚠ AVERTISSEMENT Avant de commencer les travaux de montage ou avant de changer les outils de travail et les accessoires, retirer la fiche de secteur. Cette mesure de sécurité préventive exclut un danger de blessure causé par un démarrage non intentionné de l'outil électrique.

Réglage du capot de protection (figure 5).

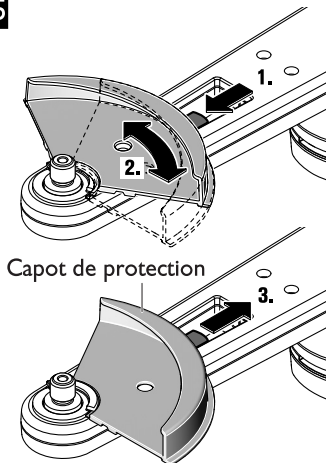
Enfoncez le bouton de blocage complètement et maintenez-le dans cette position.

Tournez le capot de protection pour le placer dans la position de travail requise.

Relâchez le bouton de blocage.

! Vérifiez la fixation du capot de protection ; on ne devrait pas pouvoir le tourner sans appuyer sur le bouton de blocage.

Fig. 5



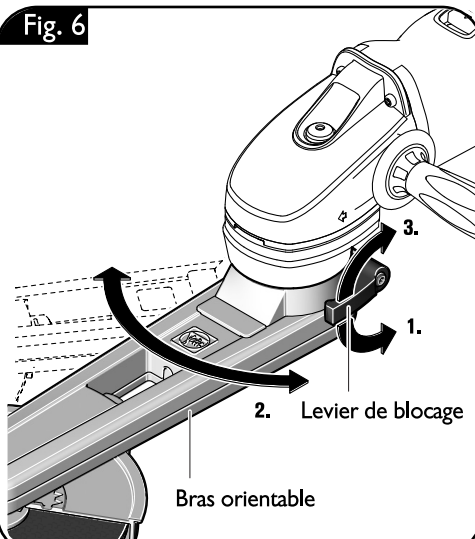
Réglage du bras orientable (Figure 6).

Relâchez le levier de blocage.

Tournez le bras orientable pour le placer dans la position de travail requise.

Resserrez le levier de blocage.

Fig. 6



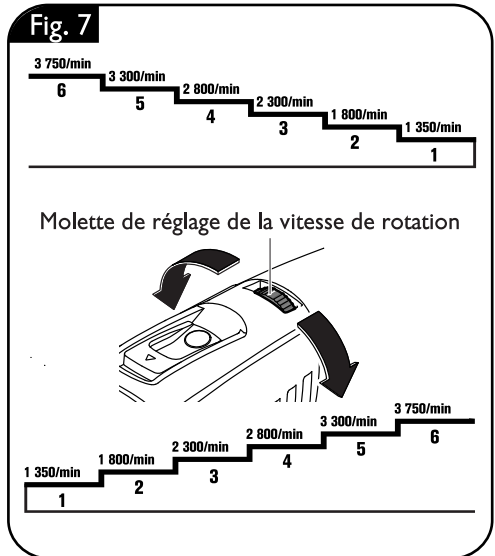
Indications pour le travail.

⚠ AVERTISSEMENT Avant de commencer les travaux de montage ou avant de changer les outils de travail et les accessoires, retirer la fiche de secteur. Cette mesure de sécurité préventive exclut un danger de blessure causé par un démarrage non intentionné de l'outil électrique.

Réglage de la vitesse de rotation (Figure 7).

Il est possible de régler en continu la plage de vitesse de rotation conformément aux indications sur la figure suivante.

Tournez la molette de réglage entre « 1 » pour la plage de vitesse de rotation la plus basse et « 6 » pour la plage de vitesse de rotation la plus élevée.



Mise en fonctionnement/Arrêt (Figure 8).

⚠ AVERTISSEMENT Assurez-vous que le câble de raccordement et la fiche sont en parfait état.

⚠ ATTENTION Toujours bien tenir l'outil électroportatif. Vous risquez sinon de perdre le contrôle de l'outil électrique.

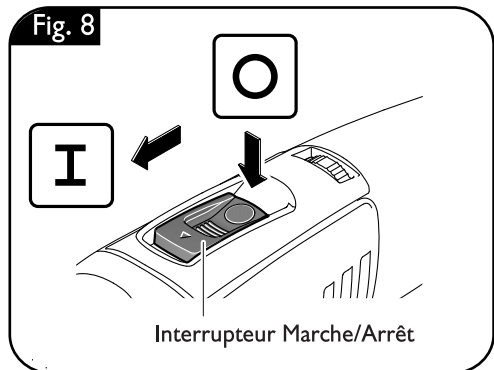
Le verrouillage de mise en marche évite que l'outil électrique se remette en marche automatiquement après une coupure d'alimentation, même pour un très court instant, par ex. en tirant la fiche du secteur.

Mise en marche :

Poussez l'interrupteur (I) vers l'avant.

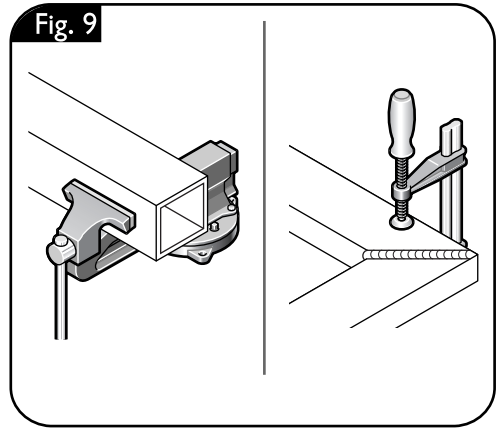
Arrêt :

Poussez l'interrupteur vers le bas (O).



Bloquer la pièce à travailler (Figure 9).

- ❗ **Bloquez suffisamment la pièce à travailler.** Une pièce à travailler qui n'est pas suffisamment bloquée peut faire par ex. que la meule se coince, que la pièce à travailler tombe et que d'autres incidents dangereux se produisent.



Travaux d'entretien et service après-vente.

⚠ AVERTISSEMENT Avant de commencer les travaux de montage ou avant de changer les outils de travail et les accessoires, retirer la fiche de secteur. Cette mesure de sécurité préventive exclut un danger de blessure causé par un démarrage non intentionné de l'outil électrique.

Pièces remplaçables.

Si nécessaire, vous pouvez remplacer vous-même les éléments suivants :

Outils de travail, poignée supplémentaire, flasques de fixation, capot de protection

Service après-vente.

⚠ AVERTISSEMENT Ne faire effectuer les travaux d'entretien que par des personnes qualifiées. Les câbles et éléments mal montés peuvent présenter des risques graves. Ne faire effectuer le service d'entretien nécessaire que par une station de service après-vente FEIN.

Nettoyage.

⚠ AVERTISSEMENT Afin d'éviter des accidents, débranchez l'outil électrique de l'alimentation en courant avant d'effectuer un nettoyage ou des travaux d'entretien ou de maintenance.

⚠ AVERTISSEMENT S'il y a de la poussière conductrice dans l'air lors de l'utilisation de l'appareil, p. ex. lors du traitement de métaux, cette poussière peut se poser à l'intérieur de l'outil électrique. La double isolation de l'outil électrique peut

ainsi être endommagée. Soufflez alors régulièrement de l'extérieur de l'air comprimé sec exempt d'huile dans l'intérieur de l'outil électrique à travers les ouïes de ventilation ; utilisez toujours une protection oculaire. Pour une protection supplémentaire, placez un dispositif à courant différentiel résiduel (RCD) en amont.

⚠ ATTENTION N'essayez pas de nettoyer les orifices de ventilation à l'aide d'objets métalliques pointus ; utilisez des outils non-métalliques.

⚠ ATTENTION N'utilisez pas de détergents ou de solvants qui peuvent endommager les parties en matière plastique. Par exemple : l'essence, le tétrachlorure de carbone, solvants chlorés, l'ammoniaque et produits de nettoyage domestiques contenant de l'ammoniaque.

⚠ ATTENTION Si un câble d'alimentation de l'outil électrique est endommagé, il doit être remplacé par un câble d'alimentation spécialement préparé qui est disponible auprès du service après-vente de FEIN.

Garantie.

La garantie du produit est valide conformément à la réglementation légale en vigueur dans le pays où le produit est mis sur le marché. Outre les obligations de garantie légale, les appareils FEIN sont garantis conformément à notre déclaration de garantie de fabricant.

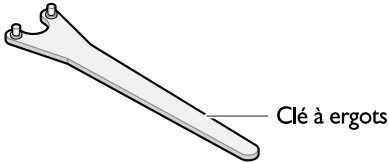
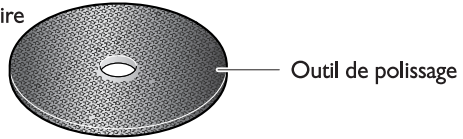
Il se peut que seule une partie des accessoires décrits ou représentés dans cette notice d'utilisation soit fournie avec l'outil électrique.

Protection de l'environnement, recyclage.

Rapportez les emballages, les outils électriques hors d'usage et les accessoires dans un centre de recyclage respectant les directives concernant la protection de l'environnement.

Accessoires fournis (Figure 10).

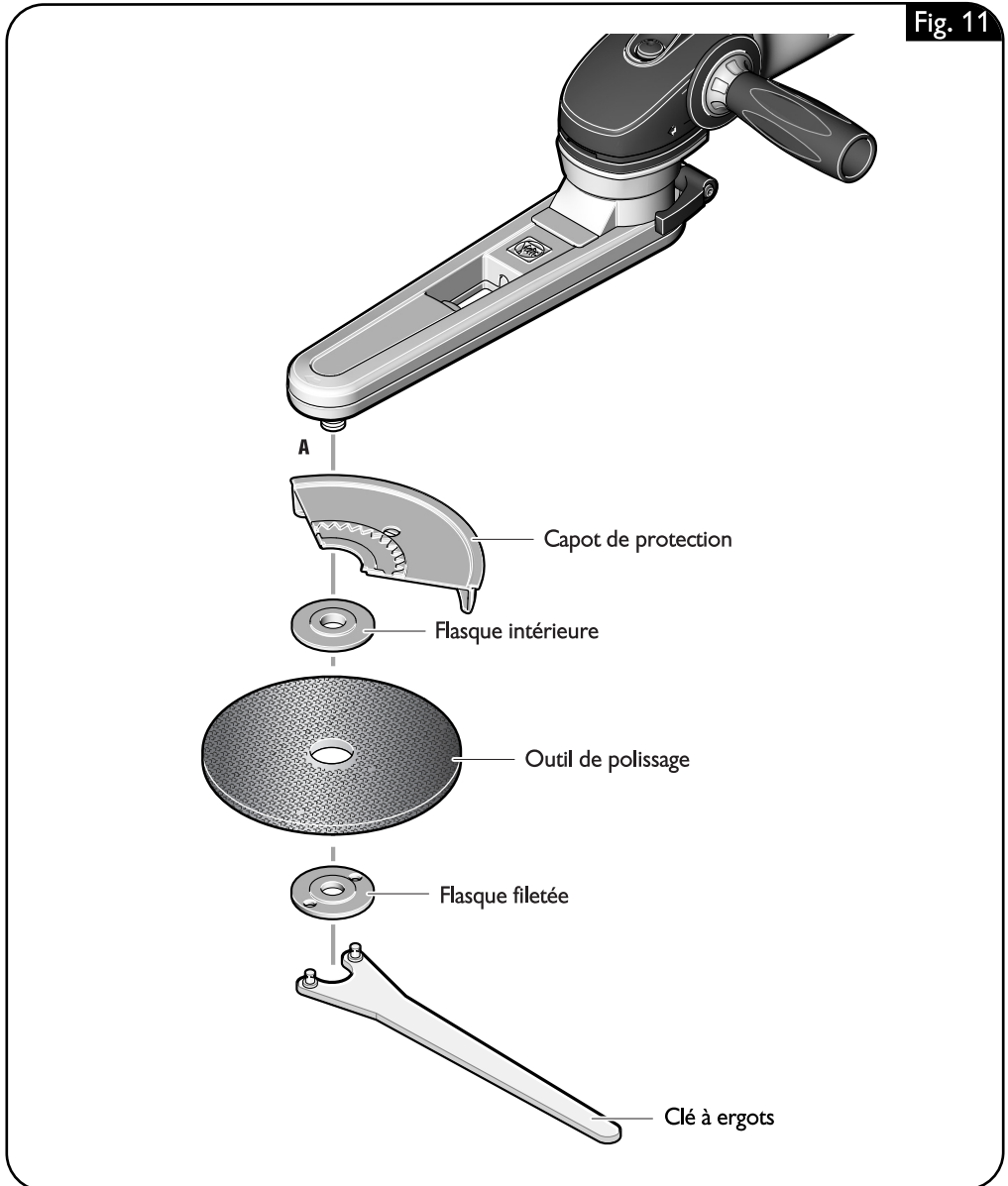
Fig. 10



Sélection des accessoires (Figure 11).

N'utilisez que des accessoires d'origine FEIN. L'accessoire doit être approprié au type d'outil électrique.

- A** Outil de polissage
(à n'utiliser qu'avec capot de protection monté)



Para su seguridad.

⚠ ADVERTENCIA Lea íntegramente estas advertencias de peligro e instrucciones. En caso de no atenerse a las advertencias de seguridad siguientes, ello puede ocasionar una descarga eléctrica, un incendio y/o lesión grave.

Guardar todas las advertencias de peligro e instrucciones para futuras consultas.

🚫 No utilice esta herramienta eléctrica sin haber leído antes con detenimiento y haber entendido por completo estas instrucciones de uso, inclusive las ilustraciones, especificaciones, reglas de seguridad, así como las indicaciones identificadas con PELIGRO, ADVERTENCIA y PRECAUCIÓN.

Solamente use esta herramienta eléctrica para realizar los trabajos que FEIN ha previsto para la misma. Únicamente utilice las herramientas y accesorios autorizados por FEIN.

Observe también las respectivas prescripciones contra accidentes de trabajo vigentes en su país.

En caso de no atenerse a las instrucciones de seguridad mencionadas en la documentación previamente citada, ello puede provocar una electrocución, incendio y/o lesión grave.

Guarde estas instrucciones de uso para posteriores consultas y entréguelas al usuario en caso de prestar o vender la máquina.

GUARDAR ESTAS INSTRUCCIONES EN UN LUGAR SEGURO.

El término “herramienta eléctrica” empleado en las siguientes instrucciones de seguridad se refiere a herramientas eléctricas de conexión a la red (con línea) y a herramientas eléctricas accionadas por batería (o sea, sin línea).

Instrucciones generales de seguridad.

1) Seguridad en el puesto de trabajo

a) Mantenga limpio y bien iluminado su puesto de trabajo. El desorden y una iluminación deficiente en las áreas de trabajo pueden provocar accidentes.

b) No utilice la herramienta eléctrica en un entorno con peligro de explosión, en el que se encuentren combustibles líquidos, gases o material en polvo. Las herramientas eléctricas producen chispas que pueden llegar a inflamar los materiales en polvo o vapores.

c) Mantenga alejados a los niños y otras personas de su puesto de trabajo al emplear la herramienta eléctrica. Una distracción le puede hacer perder el control sobre el aparato.

2) Seguridad eléctrica

a) La clavija del aparato debe corresponder al enchufe utilizado. No es admisible modificar la clavija en forma alguna. No emplear adaptadores en aparatos dotados con una toma de tierra. Las clavijas sin modificar adecuadas a los respectivos enchufes reducen el riesgo de una descarga eléctrica.

b) Evite que su cuerpo toque partes conectadas a tierra como tuberías, radiadores, cocinas y refrigeradores. El riesgo a quedar expuesto a una sacudida eléctrica es mayor si su cuerpo tiene contacto con tierra.

c) No exponga las herramientas eléctricas a la lluvia y evite que penetren líquidos en su interior. Existe el peligro de recibir una descarga eléctrica si penetran ciertos líquidos en la herramienta eléctrica.

d) No utilice la línea para transportar o colgar el aparato, ni tire de ella para sacar la clavija de la toma de corriente. Mantenga la línea alejada del calor, aceite, esquinas cortantes o piezas móviles. Las líneas dañadas o enredadas pueden provocar una descarga eléctrica.

e) Al trabajar con la herramienta eléctrica a la intemperie utilice solamente extensiones homologadas para su uso en exteriores. La utilización de una extensión adecuada para su uso en exteriores reduce el riesgo de una descarga eléctrica.

f) Si fuese imprescindible utilizar la herramienta eléctrica en un entorno húmedo, es necesario conectarla a través de un fusible diferencial. La aplicación de un fusible diferencial reduce el riesgo a exponerse a una descarga eléctrica.

3) Seguridad de personas

- a) **Esté atento a lo que hace y emplee la herramienta eléctrica con prudencia. No utilice la herramienta eléctrica si estuviese cansado, ni tampoco después de haber consumido alcohol, drogas o medicamentos.** El no estar atento durante el uso de una herramienta eléctrica puede provocarle serias lesiones.
- b) **Utilice un equipo de protección y en todo caso unas gafas de protección.** El riesgo a lesionarse se reduce considerablemente si, dependiendo del tipo y la aplicación de la herramienta eléctrica empleada, se utiliza un equipo de protección adecuado como una mascarilla cubrepolvo, zapatos de seguridad anti-deslizantes, cubierta, o protectores auditivos.
- c) **Evite una puesta en marcha fortuita del aparato. Asegúrese de que el aparato esté apagado antes de conectarlo al enchufe.** Si transporta el aparato sujetándolo por el switch, o si conecta la clavija al enchufe con el aparato encendido, ello puede dar lugar a un accidente.
- d) **Retire las herramientas de ajuste o llaves fijas antes de conectar la herramienta eléctrica.** Una herramienta o llave colocada en una pieza rotante puede producir lesiones al ponerse a funcionar.
- e) **Sea precavido. Trabaje sobre una base firme y mantenga el equilibrio en todo momento.** Ello le permitirá controlar mejor la herramienta eléctrica en caso de presentarse una situación inesperada.
- f) **Lleve puesta una ropa de trabajo adecuada. No utilice ropa amplia ni joyas. Mantenga su pelo, ropa y guantes alejados de las piezas móviles.** La ropa suelta, las joyas y el pelo largo se pueden enganchar con las piezas en movimiento.
- g) **Siempre que sea posible utilizar unos equipos de aspiración o captación de polvo, asegúrese de que éstos estén apropiadamente conectados y que sean utilizados correctamente.** El empleo de estos equipos reduce los riesgos derivados del polvo.

4) Trato y uso cuidadoso de herramientas eléctricas

- a) **No sobrecargue el aparato. Use la herramienta prevista para el trabajo a realizar.** Con la herramienta adecuada podrá trabajar mejor y más seguro dentro del margen de potencia indicado.
 - b) **No utilice herramientas con un switch defectuoso.** Las herramientas que no se puedan encender o apagar son peligrosas y deben hacerse reparar.
 - c) **Saque la clavija de la red antes de realizar un ajuste en el aparato, cambiar de accesorio o al guardar el aparato.** Esta medida preventiva reduce el riesgo a encender accidentalmente el aparato.
 - d) **Guarde las herramientas fuera del alcance de los niños y de las personas que no estén familiarizadas con su uso.** Las herramientas utilizadas por personas inexpertas son peligrosas.
 - e) **Cuide sus herramientas eléctricas con esmero. Controle si funcionan correctamente, sin atascarse, las partes móviles del aparato, y si existen partes rotas o deterioradas que pudieran afectar al funcionamiento de la herramienta. Si la herramienta eléctrica estuviese defectuosa haga repararla antes de volver a utilizarla.** Muchos de los accidentes se deben a aparatos con un mantenimiento deficiente.
 - f) **Mantenga los útiles de corte limpios y afilados.** Los útiles de corte mantenidos correctamente se dejan guiar y controlar mejor.
 - g) **Utilice herramientas eléctricas, accesorios, útiles, etc. de acuerdo a estas instrucciones y en la manera indicada específicamente para este aparato. Considere en ello las condiciones de trabajo y la tarea a realizar.** El uso de herramientas eléctricas para trabajos diferentes de aquellos para los que han sido concebidas puede resultar peligroso.
- ### 5) Servicio
- a) **Únicamente haga reparar su herramienta eléctrica por un profesional, empleando exclusivamente refacciones originales.** Solamente así se mantiene la seguridad de la herramienta eléctrica.

Instrucciones de seguridad especiales.

Instrucciones de seguridad comunes para el pulido

Esta herramienta eléctrica ha sido concebida para pulir. Observe todas las indicaciones de seguridad, instrucciones, ilustraciones y datos que se suministran con el aparato. Si no se tienen en cuenta las recomendaciones de seguridad descritas, puede electrocutarse, producirse un incendio y/o sufrir graves lesiones.

Esta herramienta eléctrica no es apropiada para amolar, lijar, trabajar con cepillos de alambre ni cortar. La utilización de la herramienta eléctrica en trabajos para los que no ha sido prevista puede provocar un accidente.

No emplee accesorios diferentes de aquellos que el fabricante haya previsto o recomendado especialmente para esta herramienta eléctrica. El mero hecho de que sea acoplable un accesorio a su herramienta eléctrica no implica que su utilización resulte segura.

Las revoluciones admisibles del útil deberán ser como mínimo iguales a las revoluciones máximas indicadas en la herramienta eléctrica. Aquellos accesorios que giren a unas revoluciones mayores a las admisibles pueden llegar a romperse y salir despedidos.

El diámetro exterior y el grosor del útil deberán corresponder con las medidas indicadas para su herramienta eléctrica. Los útiles de dimensiones incorrectas no pueden protegerse ni controlarse con suficiente seguridad.

Los orificios de los discos amoladores, bridas, platos lijadores u otros útiles deberán alojar exactamente sobre el husillo de su herramienta eléctrica. Los útiles que no ajusten correctamente sobre el husillo de la herramienta eléctrica, al girar descentrados, generan unas vibraciones excesivas y pueden hacerle perder el control sobre el aparato.

No use útiles dañados. Antes de cada uso inspeccione el estado de los útiles con el fin de detectar, p. ej., si están desportillados o fisurados los útiles de amolar, si está agrietado o muy desgastado el plato lijador, o si las púas de los cepillos de alambre están flojas o rotas. Si se le cae la herramienta eléctrica o el útil, inspeccione si han sufrido algún daño o monte otro útil en correctas condiciones.

Una vez controlado y montado el útil sitúese Vd. y las personas circundantes fuera del plano de rotación del útil y deje funcionar la herramienta eléctrica en vacío, a las revoluciones máximas, durante un minuto. Por lo regular, aquellos útiles que estén dañados suelen romperse al realizar esta comprobación.

Utilice un equipo de protección personal. Dependiendo del trabajo a realizar use una careta, una protección para los ojos, o unos lentes de protección. Si procede, emplee una mascarilla guardapolvo, protectores auditivos, guantes de protección o un mandil especial adecuado para protegerle de los pequeños fragmentos que pudieran salir proyectados al desprenderse del útil o pieza. Los lentes de protección deberán ser indicadas para protegerle de los fragmentos que pudieran salir despedidos al trabajar. La mascarilla guardapolvo o respiratoria deberá ser apta para filtrar las partículas producidas al trabajar. La exposición prolongada al ruido puede provocar sordera.

Cuide que las personas en las inmediaciones se mantengan a suficiente distancia de la zona de trabajo. Toda persona que acceda a la zona de trabajo deberá utilizar un equipo de protección personal. Podrían ser lesionadas, incluso fuera del área de trabajo inmediato, al salir proyectados fragmentos de la pieza de trabajo o del útil.

Únicamente sujete el aparato por las agarraderas aisladas al realizar trabajos en los que el útil pueda tocar conductores eléctricos ocultos o la propia línea del aparato. El contacto con conductores bajo tensión puede hacer que las partes metálicas del aparato le provoquen una descarga eléctrica.

Mantenga la línea alejada del útil en funcionamiento. En caso de que Vd. pierda el control sobre la herramienta eléctrica puede llegar a cortarse o enredarse la línea con el útil y lesionarle su mano o brazo.

Jamás deposite la herramienta eléctrica antes de que el útil se haya detenido por completo. El útil en funcionamiento puede llegar a tocar la base de apoyo y hacerle perder el control sobre la herramienta eléctrica.

No deje funcionar la herramienta eléctrica mientras la transporta. El útil en funcionamiento podría lesionarle al engancharse accidentalmente con su ropa.

Limpie periódicamente las rejillas de refrigeración de su herramienta eléctrica. El ventilador del motor aspira polvo hacia el interior de la carcasa, por lo que, en caso de una acumulación fuerte de polvo metálico, ello puede provocarle una descarga eléctrica.

No utilice la herramienta eléctrica cerca de materiales combustibles. Las chispas producidas al trabajar pueden llegar a incendiar estos materiales.

No emplee útiles que requieran ser refrigerados con líquidos. La aplicación de agua u otros refrigerantes líquidos puede comportar una descarga eléctrica.

Causas del retroceso y advertencias al respecto

El retroceso es una reacción brusca que se produce al atorarse o engancharse el útil, como un disco de amolar, plato lijador, cepillo, etc. Al atorarse o engancharse el útil en funcionamiento, éste es frenado bruscamente. Ello puede hacerle perder el control sobre la herramienta eléctrica y hacer que ésta salga impulsada en dirección opuesta al sentido de giro que tenía el útil.

En el caso, p. ej., de que un disco amolador se atasque o bloquee en la pieza de trabajo, puede suceder que el canto del útil que penetra en el material se enganche, provocando la rotura del útil o el retroceso del aparato.

Según el sentido de giro y la posición del útil en el momento de bloquearse puede que éste resulte despedido hacia, o en sentido opuesto al usuario. En estos casos puede suceder que el útil incluso llegue a romperse.

El retroceso es ocasionado por la aplicación o manejo incorrecto de la herramienta eléctrica. Es posible evitarlo ateniéndose a las medidas preventivas que a continuación se detallan.

Sujete con firmeza la herramienta eléctrica y mantenga su cuerpo y brazos en una posición propicia para resistir las fuerzas de reacción. Si forma parte del aparato, utilice siempre la agarradera adicional para poder soportar

mejor las fuerzas de retroceso, además de los pares de reacción que se presentan en la puesta en marcha. El usuario puede controlar las fuerzas de retroceso y de reacción si toma unas medidas preventivas oportunas.

Jamás aproxime su mano al útil en funcionamiento. En caso de un retroceso, el útil podría lesionarle la mano.

No se sitúe dentro del área hacia el que se movería la herramienta eléctrica al retroceder bruscamente. Al retroceder bruscamente, la herramienta eléctrica saldrá despedida desde el punto de bloqueo en dirección opuesta al sentido de giro del útil.

Tenga especial precaución al trabajar esquinas, cantos afilados, etc. Evite que el útil de amolar rebote contra la pieza de trabajo o que se atasque. En las esquinas, cantos afilados, o al rebotar, el útil en funcionamiento tiende a atascarse. Ello puede hacerle perder el control o causar un retroceso del útil.

No utilice hojas de sierra para madera ni otros útiles dentados. Estos útiles son propensos al retroceso y pueden hacerle perder el control sobre la herramienta eléctrica.

Instrucciones de seguridad específicas para el pulido

Evite que queden partes sueltas en la guarda para pulir, especialmente el cordón de sujeción. Recoja o corte los cabos del cordón de sujeción. Los cabos sueltos del cordón pueden enredarse con sus dedos o la pieza de trabajo.

Instrucciones de seguridad adicionales

Utilice los platos elásticos intermedios si éstos se suministran junto con el útil de amolar.

Asegúrese de que los útiles vayan montados según instrucciones del fabricante. Los útiles montados deberán girar sin rozar en ningún lado. Los útiles incorrectamente montados pueden aflojarse durante el trabajo y salir despedidos.

Trate cuidadosamente los útiles y guárdelos según instrucciones del fabricante. Los útiles dañados pueden fisurarse y desintegrarse durante el trabajo.

No oriente la herramienta eléctrica contra Ud. mismo, contra otras personas, ni contra animales. Podría accidentarse con los útiles afilados o muy calientes.

Utilice un equipo de aspiración estacionario, limpie con frecuencia las rejillas de refrigeración, y conecte la herramienta eléctrica a través de un interruptor diferencial (FI). En caso de trabajar metales bajo unas condiciones extremas puede llegar a depositarse polvo conductor de corriente en el interior de la herramienta eléctrica. Ello puede mermar la eficacia del aislamiento de protección de la herramienta eléctrica.

Esta herramienta eléctrica doblemente aislada está equipada con una clavija polarizada (uno de los contactos es más ancho que el otro). Esta clavija solamente puede introducirse en una posición en el enchufe correspondiente. Gire la clavija a la otra posición en caso de que ésta no entre del todo en el enchufe. Si a pesar de ello no es posible acoplar la clavija al enchufe, acuda a un electricista para que le instale un enchufe apropiado. Jamás modifique la clavija. Las herramientas doblemente aisladas no necesitan una línea de 3 hilos ni un enchufe con un contacto a tierra.

Solamente alimente la herramienta eléctrica con la tensión y frecuencia que se indica en la placa de características de la herramienta eléctrica.

Tratamiento de materiales en polvo peligrosos.

⚠ ADVERTENCIA Al trabajar con herramientas, p. ej., al lijar, pulir, serrar o realizar otros trabajos con arranque de material, los polvos que se producen pueden ser nocivos para la salud, autoinflamables o explosivos.

El contacto o inspiración de ciertos materiales en polvo puede provocar en el usuario, o en las personas circundantes, reacciones alérgicas y/o enfermedades respiratorias, cáncer, daños congénitos u otros trastornos reproductivos.

A continuación, indicamos algunos de estos materiales junto con los productos químicos que contienen, cuyo polvo producido al trabajar, puede ser nocivo para la salud:

- Amianto y materiales que contengan amianto;

Si pretende utilizar la herramienta eléctrica en un entorno húmedo, es necesario conectarla a través de un interruptor de circuito por falla a tierra (ICFT). Para una mayor seguridad personal se recomienda utilizar unos guantes y zapatos de protección especiales de hule.

Use unas mordazas u otros dispositivos adecuados para fijar la pieza a una base estable. La sujeción de la pieza con la mano, o presionándola contra su cuerpo, es insegura y puede hacerle perder el control sobre el aparato.

Saque la clavija del enchufe antes de montar o cambiar los útiles y accesorios. Esta medida de seguridad preventiva evita los accidentes que pudieran presentarse en caso de una puesta en marcha involuntaria.

Esta prohibido fijar rótulos o señales a la herramienta eléctrica con tornillos o remaches. Un aislamiento dañado no le protege de una electrocución. Emplee etiquetas autoadhesivas.

Siempre use la empuñadura adicional al trabajar. La empuñadura adicional permite guiar con seguridad la herramienta eléctrica.

Antes de la puesta en marcha inspeccione si están dañados la línea y el enchufe.

Recomendación: Siempre opere la herramienta eléctrica a través de un interruptor diferencial (RCD) con una corriente de disparo máxima de 30 mA.

- Pinturas que contengan plomo, ciertos tipos de madera como, p. ej., haya, encino y roble;
- Minerales y metales;
- Partículas de sílice de ladrillo, concreto y demás materiales que contengan mineral;
- Los solventes que contienen ciertas pinturas;
- Arsénico, cromo y otros conservadores de la madera;
- Materiales para combatir parásitos en cascos de botes o barcos;
- Polvos de acero inoxidable, de metales y de metales no férricos.

Para que la exposición a estos materiales sea mínima:

- Utilice un equipo de aspiración apropiado para el polvo producido.
- Use equipos de protección personal como, por ejemplo, una mascarilla guardapolvo con un filtro de la clase P2.
- Observe que esté bien ventilado el puesto de trabajo.

El riesgo derivado de la inspiración de material en polvo depende de la frecuencia con la que se trabajen estos materiales. Los materiales que contengan amianto solamente deberán ser procesados por especialistas.

⚠ ATENCIÓN El polvo de madera y el de aleaciones ligeras puede autoinflamarse o provocar una explosión.

Vibraciones en la mano/brazo.

⚠ ADVERTENCIA Al trabajar con esta herramienta eléctrica se producen vibraciones en la mano y el brazo. Ello puede llegar a afectar su salud.

⚠ ADVERTENCIA Las vibraciones generadas durante la aplicación actual de la herramienta eléctrica puede ser diferente del valor indicado, según el modo en que sea utilizada la herramienta.

⚠ ADVERTENCIA Con el fin de proteger al usuario, es necesario fijar medidas de seguridad en base a una estimación de la exposición resultante bajo las condiciones de uso actuales.

El nivel de vibraciones indicado en estas instrucciones ha sido determinado según el procedimiento de medición fijado en la norma EN 60745 y puede servir como base de comparación con otras herramientas eléctricas. También es adecuado para estimar provisionalmente la emisión de vibraciones.

El nivel de vibraciones indicado ha sido determinado para las aplicaciones principales de la

Si en el saco filtrante o en el filtro del aspirador, el polvo caliente producido al lijar se mezcla con restos de pintura, poliuretano, u otras materias químicas, puede que ésta se autoincendie bajo condiciones desfavorables como, p. ej., el salto de chispas al lijar metales, la exposición permanente y directa al sol, o una temperatura ambiente elevada. Para prevenir esta situación:

- Evite que se sobrecalienten la pieza de trabajo y la herramienta eléctrica.
- Vacíe el depósito de polvo con suficiente antelación.
- Observe las instrucciones de elaboración del fabricante del material.
- Considere las prescripciones vigentes en su país sobre los materiales a trabajar.

herramienta eléctrica. Por ello, el nivel de vibraciones puede ser diferente si la herramienta eléctrica se utiliza en otras aplicaciones, con útiles diferentes, o si el mantenimiento de la misma fuese deficiente. Ello puede suponer un aumento drástico de la emisión de vibraciones durante el tiempo total de trabajo.

Para determinar con exactitud la emisión de las vibraciones, es necesario considerar también aquellos tiempos en los que el aparato esté desconectado, o bien, esté en funcionamiento, pero sin ser utilizado realmente. Ello puede suponer una disminución drástica de la emisión de vibraciones durante el tiempo total de trabajo.

Fije unas medidas de seguridad adicionales para proteger al usuario de los efectos por vibraciones, como por ejemplo: Mantenimiento de la herramienta eléctrica y de los útiles, conservar calientes las manos, organización de las secuencias de trabajo.

Emisión de ruidos y vibraciones (indicación de dos cifras según ISO 4871)

Emisión de ruido

KS10-38E

Nivel de de presión sonora L_{pA} (re 20 μPa), medido con filtro A en el puesto de trabajo, en decibelios	85
Inseguridad K_{pA} , en decibelios	3
Nivel de potencia acústica L_{wA} (re 1 pW), medido con filtro A, en decibelios	96
Inseguridad K_{wA} , en decibelios	3
Valor pico del nivel de presión sonora L_{pCpeak} medido con filtro C en el puesto de trabajo, en decibelios	101
Inseguridad K_{pCpeak} , en decibelios	3

Vibración

nivel de vibraciones medio al pulir (grosor del accesorio para pulir: 3 mm)	
- m/s^2	2.5
- ft/s^2	8
nivel de vibraciones medio al pulir (grosor del accesorio para pulir: 6 mm)	
- m/s^2	5
- ft/s^2	16

OBSERVACIÓN: la suma de los valores emitidos medidos, considerando la inseguridad respectiva, representa el límite superior que puede alcanzarse en las mediciones.



¡Utilizar unos protectores acústicos!

Valores de medición determinados según normativa del producto pertinente.

Extensiones.

⚠ ADVERTENCIA En caso de utilizar una extensión, la longitud y la sección de la línea deberá ser la correcta para el trabajo a realizar para evitar una caída de tensión en la línea, una reducción de la potencia, y el sobrecalentamiento de la herramienta eléctrica. De lo contrario, se presentarán peligros de origen eléctrico en la extensión y en la herramienta eléctrica, además de reducirse sus prestaciones.

Recomendación para el dimensionamiento de extensiones al operar con una tensión de servicio monofásica de 120 V, conectando una sola herramienta eléctrica KS10-38E:

Longitud de la línea en pies			Longitud de la línea en m		
≤ 100	100 -200	200 -300	≤ 30	30 - 60	60 -100
Calibre A.W.G. del cable, mín.			Sección del cable en mm^2 , mín.		
16	14	12	1.5	2.5	4

Utilización reglamentaria de la herramienta eléctrica:

Lijadora de cuello largo portátil para pulir en seco superficies con útiles y accesorios homologados por FEIN en lugares cubiertos.

Alimentación de la herramienta eléctrica con un grupo electrógeno.

❗ Esta herramienta eléctrica es apta además para ser utilizada con grupos electrógenos de alterna siempre que dispongan de suficiente potencia y cumplan los requisitos según norma ISO 8528 para la clase de ejecución G2. Deberá prestarse especial atención a no sobrepasar el coeficiente de distorsión máximo del 10 % establecido en dicha norma. En caso de duda consulte los datos del grupo utilizado por Ud.

⚠ ADVERTENCIA Esta prohibido conectar la herramienta eléctrica a generadores de corriente cuya tensión en vacío sea superior a la tensión indicada en la placa de características de la herramienta eléctrica.

Simbología.

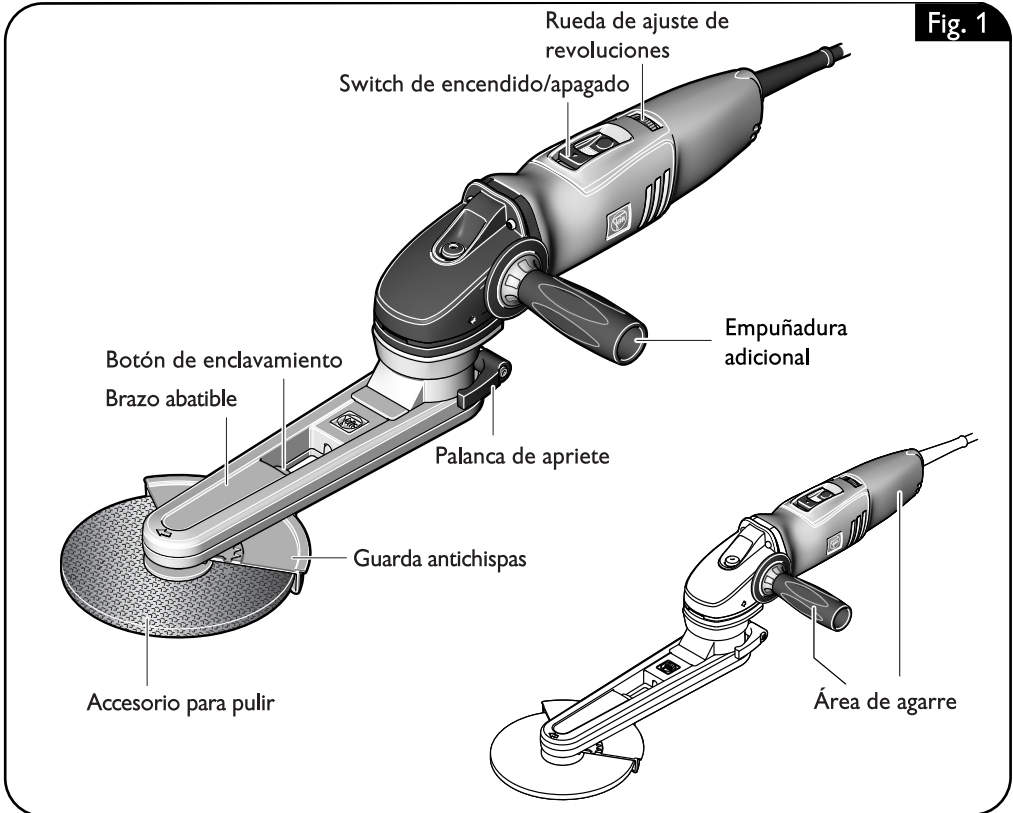
Símbolo	Definición
	¡Seguir las instrucciones indicadas al margen!
	Es imprescindible leer los documentos que se adjuntan, como las instrucciones de servicio y las instrucciones generales de seguridad.
	Al trabajar protegerse los ojos.
	Al trabajar utilizar un protector acústico.
	Este símbolo confirma que este producto ha sido certificado en USA y Canadá.
	Este símbolo advierte sobre una situación peligrosa inminente. Un comportamiento incorrecto puede dar lugar a una lesión grave o incluso mortal.
	Este símbolo advierte sobre una situación peligrosa que puede comportar lesiones graves o mortales.
	Este símbolo advierte sobre una situación peligrosa en la que pudiera lesionarse.
	Acumular por separado las herramientas eléctricas y demás productos electrotécnicos y eléctricos inservibles y someterlos a un reciclaje ecológico.
	Producto dotado con un aislamiento doble o reforzado
~ o a. c.	Corriente alterna
1 ~	Corriente alterna monofásica

Símbolo	Unidad nacional	Definición
<i>n</i>	rpm; /min	Revoluciones en vacío
<i>P</i>	W	Unidad de medida de la potencia
	°	Unidad de medida del ángulo
<i>U</i>	V	Unidad de medida de la tensión eléctrica
<i>f</i>	Hz	Unidad de medida de la frecuencia
<i>I</i>	A	Unidad de medida de la intensidad
<i>m</i>	lbs	Unidad de medida de la masa
<i>l</i>	ft, in	Unidad de medida para la longitud, ancho, altura, profundidad, diámetro o roscas
Ø	ft, in	Diámetro de una pieza redonda
	m, s, kg, A, mm, V, W, Hz, N, °C, dB, min, m/s ²	Unidades básicas y unidades derivadas del sistema internacional de unidades SI .

Descripción técnica y especificaciones.

⚠ ADVERTENCIA Saque la clavija del enchufe antes de montar o cambiar los útiles y accesorios. Esta medida de seguridad preventiva evita los accidentes que pudieran presentarse en caso de una puesta en marcha involuntaria.

El material de serie suministrado con su herramienta eléctrica puede que no corresponda en su totalidad al material descrito o mostrado en estas instrucciones de servicio.



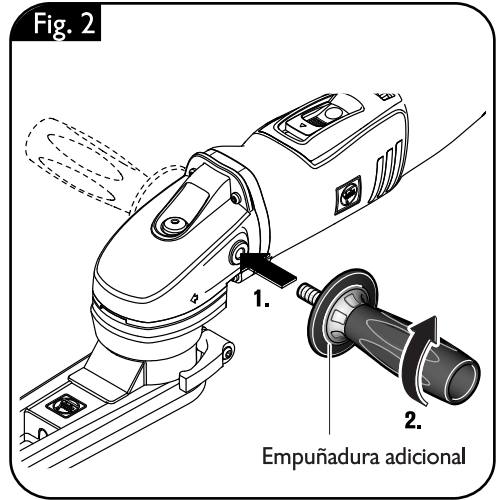
Tipo	KS10-38E
Nº de referencia	7 221 67
Potencia absorbida	800 W
Potencia útil	550 W
Revoluciones en vacío	1350 – 3750 rpm
Diámetro de disco de amolar, máx.	6 in 150 mm
Diámetro del alojamiento	1 in 25 mm
Grosor del accesorio para pulir	1/8 in, 1/4 in 3 mm, 6 mm
Rosca de la brida de apriete	M14
Longitud del husillo roscado	3/4 in 20 mm
Peso según EPTA-Procedure 01	7.1 lbs (3.2 kg)
Clase de protección	□/II

Instrucciones de montaje.

⚠ ADVERTENCIA Saque la clavija del enchufe antes de montar o cambiar los útiles y accesorios. Esta medida de seguridad preventiva evita los accidentes que pudieran presentarse en caso de una puesta en marcha involuntaria.

Montaje de la agarradera adicional (Figura 2).

Dependiendo de la aplicación, enrosque la agarradera adicional a la derecha o izquierda de la herramienta eléctrica.

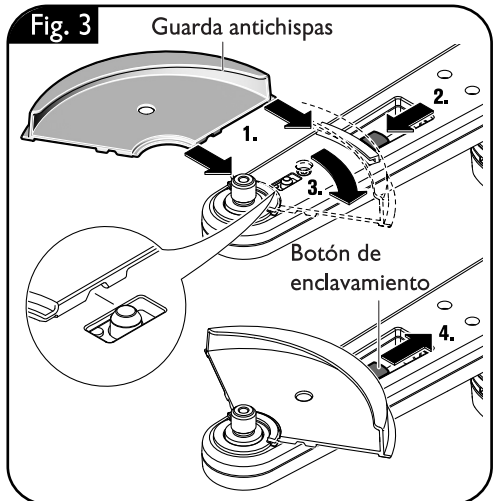


Montaje de la guarda antichispas (Figura 3).

Monte la guarda antichispas. Presione hasta la mitad el botón de bloqueo y manténgalo apretado.

Observación: Cuide que la ranura coincida con el perno guía.

Gire la guarda antichispas a la posición de trabajo deseada y suelte ahora el botón de bloqueo.



Cambio de útil..

⚠ ADVERTENCIA Saque la clavija del enchufe antes de montar o cambiar los útiles y accesorios. Esta medida de seguridad preventiva evita los accidentes que pudieran presentarse en caso de una puesta en marcha involuntaria.

Montaje del accesorio para pulir (Figura 4).

- ❗ Solamente accione el botón de bloqueo estando detenido el motor.
- ❗ No presione el botón de bloqueo del cabezal de engranes.

Presione completamente y mantenga apretado el botón de bloqueo. Afloje la brida rosca con la llave de pernos.

- 👉 Desenrosque la brida rosca.

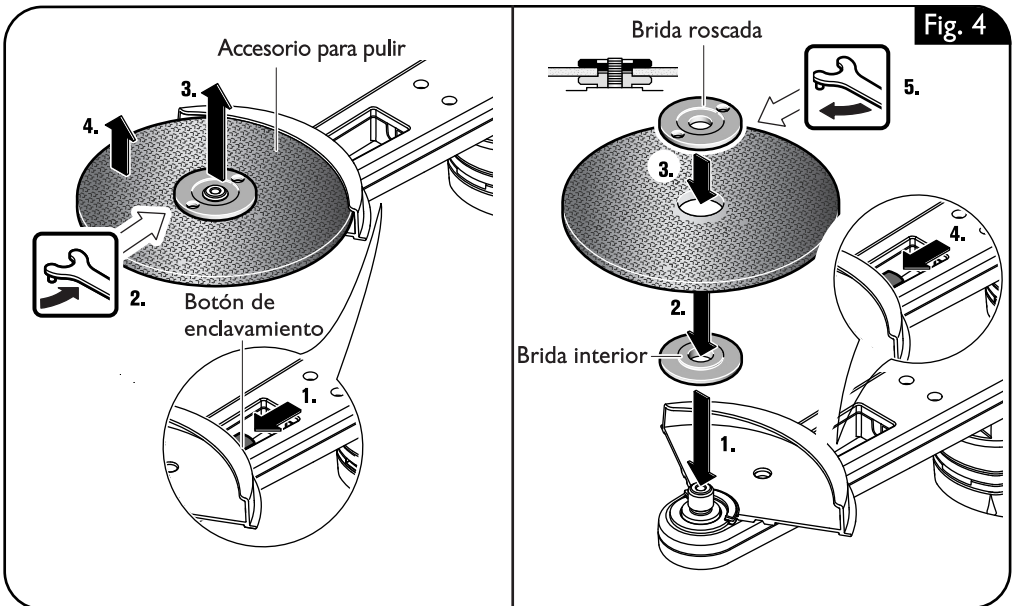
⚠ Cambie el accesorio para pulir desgastado o monte uno nuevo.

- ❗ Al realizar esto, preste atención a que el accesorio para pulir quede bien centrado con la brida interior y la brida rosca.

Vuelva a enroscar a mano la brida rosca.

Presione completamente y mantenga apretado el botón de bloqueo. Apriete firmemente la brida rosca con la llave de pernos.

Observación: Preste atención a la posición de montaje de la brida interior, ver figura 4.



Ajustes.

⚠ ADVERTENCIA Saque la clavija del enchufe antes de montar o cambiar los útiles y accesorios. Esta medida de seguridad preventiva evita los accidentes que pudieran presentarse en caso de una puesta en marcha involuntaria.

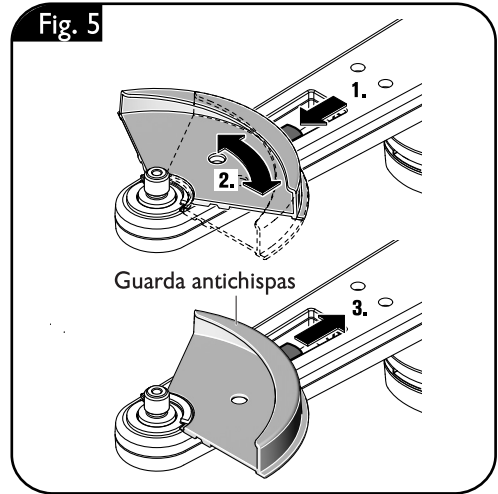
Ajuste de la guarda antichispas (figura 5).

Presione completamente y mantenga apretado el botón de bloqueo.

Gire la guarda antichispas a la posición de trabajo requerida.

Suelte ahora el botón de bloqueo.

! Verifique la firme sujeción de la guarda antichispas, observando que ésta no se gire sin tener apretado el botón de bloqueo.

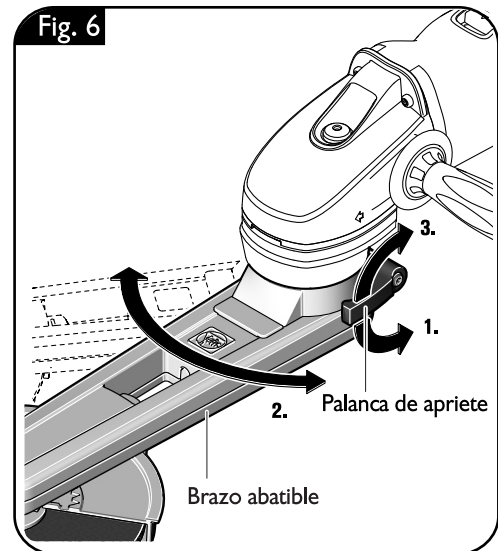


Ajuste del brazo abatible (Figura 6).

Afloje la palanca de apriete.

Gire el brazo abatible a la posición de trabajo requerida.

Apriete nuevamente la palanca de apriete.



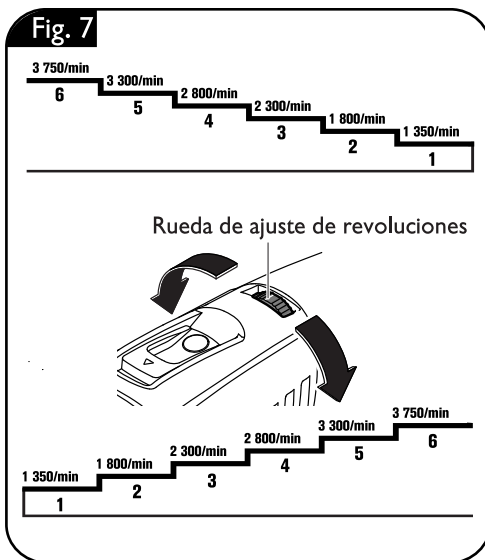
Instrucciones para la operación.

⚠ ADVERTENCIA Saque la clavija del enchufe antes de montar o cambiar los útiles y accesorios. Esta medida de seguridad preventiva evita los accidentes que pudieran presentarse en caso de una puesta en marcha involuntaria.

Ajuste de las revoluciones (Figura 7).

El campo de revoluciones puede ajustarse de forma continua según la siguiente figura.

Gire la rueda de ajuste entre “1” para el campo de revoluciones más bajo y “6” para el más alto.



Conexión y desconexión (Figura 8).

⚠ ADVERTENCIA Asegúrese primeramente del perfecto estado de la línea y de la clavija.

⚠ ATENCIÓN Siempre sujete firmemente la herramienta eléctrica. En caso contrario podría perder el control sobre la herramienta eléctrica.

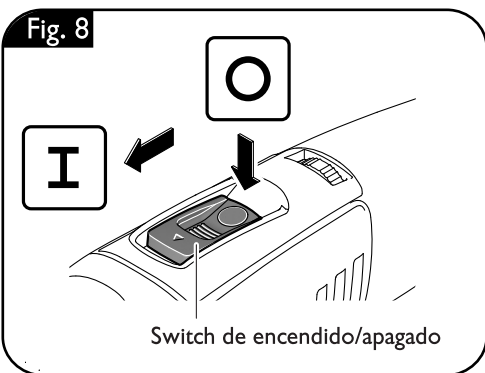
Si durante el funcionamiento de la herramienta eléctrica ésta hubiese dejado de alimentarse, incluso brevemente, p. ej., al sacar el enchufe de la red, la protección contra rearranque se encarga de que al volver a alimentarse la herramienta eléctrica, ésta no vuelva a conectarse automáticamente.

Conexión:

Empuje el switch hacia delante (I).

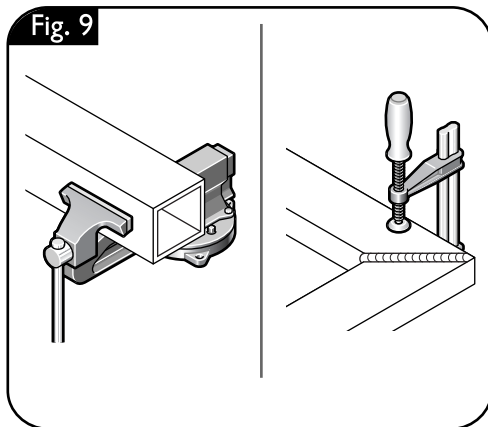
Desconexión:

Presione el switch hacia abajo (O).



Sujeción de la pieza de trabajo (Figura 9).

- ❗ **Sujete correctamente la pieza de trabajo.** Una pieza de trabajo incorrectamente sujeta puede provocar, p. ej., que se atore y rebote bruscamente el útil, que se caiga la pieza de trabajo, u otros tipos de incidente peligrosos.



Reparación y servicio técnico.

⚠ ADVERTENCIA Saque la clavija del enchufe antes de montar o cambiar los útiles y accesorios. Esta medida de seguridad preventiva evita los accidentes que pudieran presentarse en caso de una puesta en marcha involuntaria.

Piezas sustituibles.

Si fuese preciso, puede sustituir Ud. mismo las piezas siguientes:

Útiles, agarradera adicional, bridas de apriete, guarda antichispas

Servicio técnico.

⚠ ADVERTENCIA Únicamente deje realizar los trabajos de mantenimiento por un profesional. Las líneas y componentes mal montados pueden suponer un grave peligro. Deje efectuar el servicio requerido por un servicio técnico FEIN.

Limpieza.

⚠ ADVERTENCIA Con el fin de evitar accidentes, saque de la alimentación la clavija de la herramienta eléctrica antes de realizar en la misma cualquier tipo de trabajo de limpieza o de mantenimiento.

⚠ ADVERTENCIA Si el aire ambiente contiene material en polvo conductor, p. ej., al trabajar metales, puede que este material llegue a depositarse en el interior de la herramienta eléctrica. Ello puede mermar la eficacia del aislamiento de protección de la

herramienta eléctrica. Por ello, se recomienda soplar con regularidad desde afuera, por las rejillas de refrigeración, el interior de la herramienta eléctrica con aire comprimido seco y exento de aceite, utilizando en ello siempre una protección para los ojos. Intercale un interruptor diferencial (FI) como medida de protección adicional.

⚠ ATENCIÓN No intente limpiar las rejillas de refrigeración de la herramienta eléctrica con objetos metálicos en punta, emplee para ello objetos que no sean de metal.

⚠ ATENCIÓN No aplique agentes de limpieza ni disolventes que pudieran atacar a las piezas de plástico. Algunos de estos agentes son: gasolina, tetracloruro de carbono, disolventes clorados, amoníaco y detergentes domésticos que contengan amoníaco.

⚠ ATENCIÓN En caso de que se dañe la línea de la herramienta eléctrica es necesario sustituirla por una línea de refacción original adquirible a través de uno de los servicios técnicos FEIN.

Garantía.

La garantía del producto se realiza de acuerdo a las regulaciones legales vigentes en el país de adquisición. Adicionalmente, FEIN ofrece una garantía ampliada de acuerdo con la declaración de garantía del fabricante FEIN.

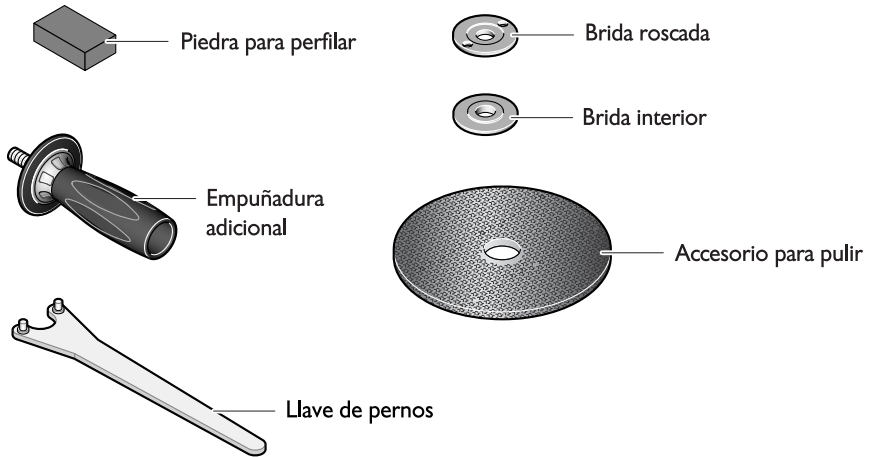
El material de serie suministrado con su herramienta eléctrica puede que no corresponda en su totalidad al material descrito o mostrado en estas instrucciones de servicio.

Protección del medio ambiente, eliminación.

Los embalajes, y las herramientas eléctricas y accesorios inservibles deberán entregarse a los puntos de recogida correspondientes para que puedan ser sometidos a un reciclaje ecológico.

Accesorios incluidos en el suministro (Figura 10).

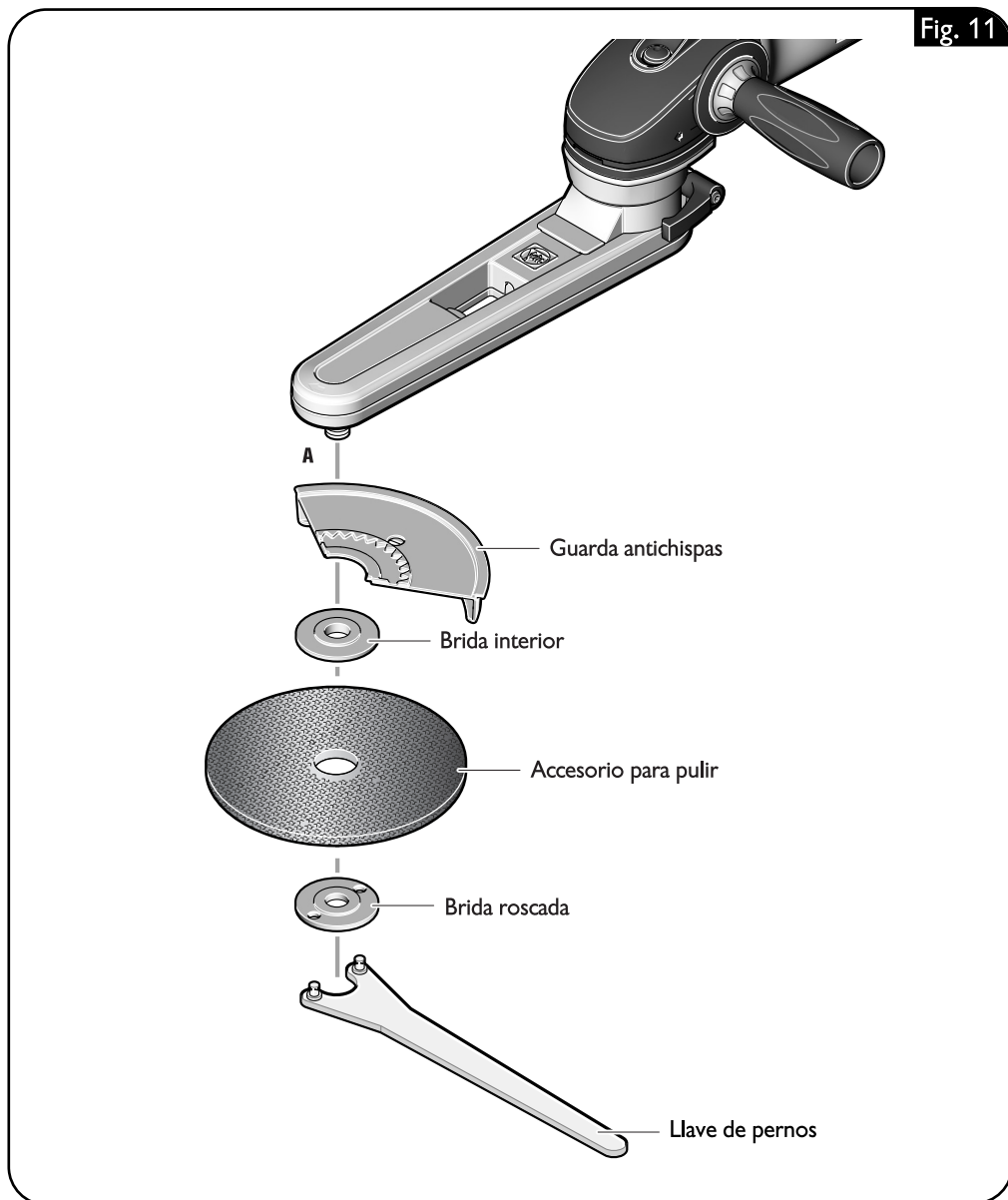
Fig. 10



Accesorios disponibles (Figura 11).

Únicamente utilice accesorios originales FEIN. Los accesorios deberán ser los apropiados para el tipo de herramienta eléctrica utilizado.

- A** Accesorio para pulir
(usar únicamente con la guarda antichispas montada)





USA

FEIN Power Tools, Inc.
1000 Omega Drive
Suite 1180
Pittsburgh, PA 15205
Phone: 800-441-9878
www.feinus.com

Canada

FEIN Canadian Power Tool Company
323 Traders Boulevard East
Mississauga, Ontario L4Z 2E5
Telephone: (905) 8901390
Phone: 1-800-265-2581
www.fein.com

FEIN Service

FEIN Power Tools, Inc.
2735 Hickory Grove Road
Davenport, IA 52804
Phone: 800-441-9878
magdrillrepair@feinus.com

Headquarter

C. & E. Fein GmbH
Hans-Fein-Straße 81
D-73529 Schwäbisch Gmünd-Bargau
www.fein.com

