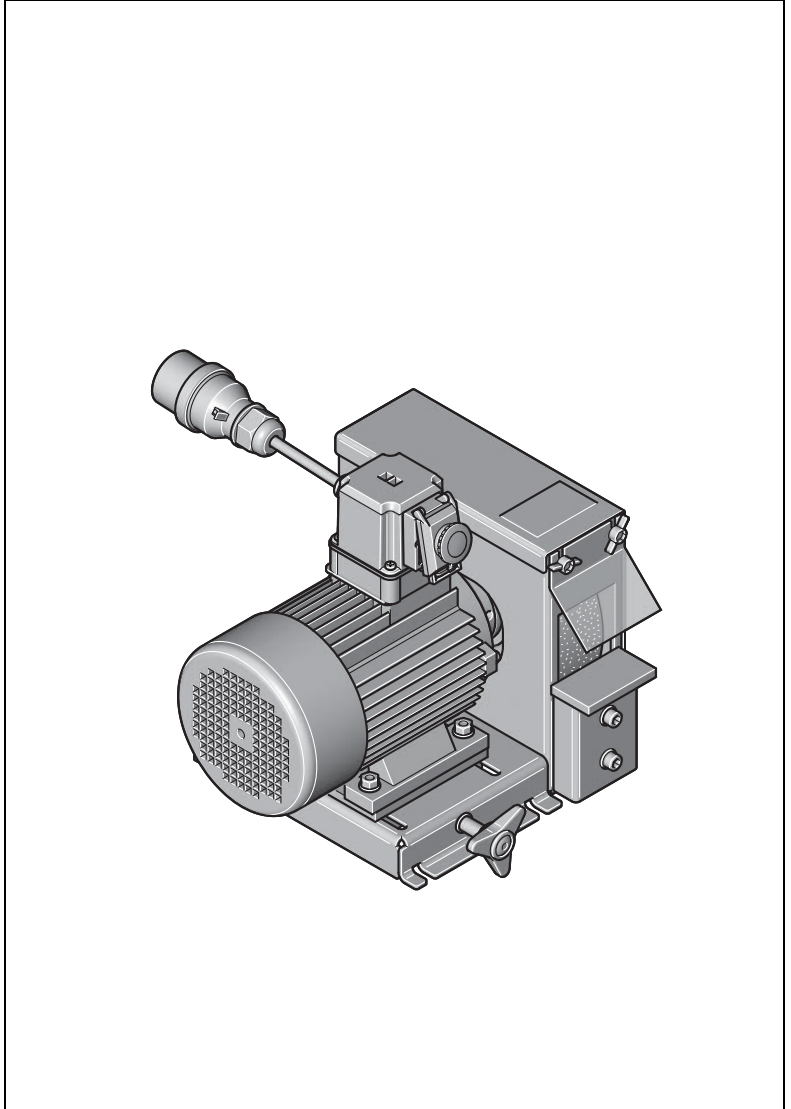




**GXE (\*\*)**

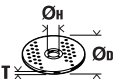

**7 901 ...**

**English (en)  
Français (fr)  
Español (es)**



**3 94 10 012 21 0**

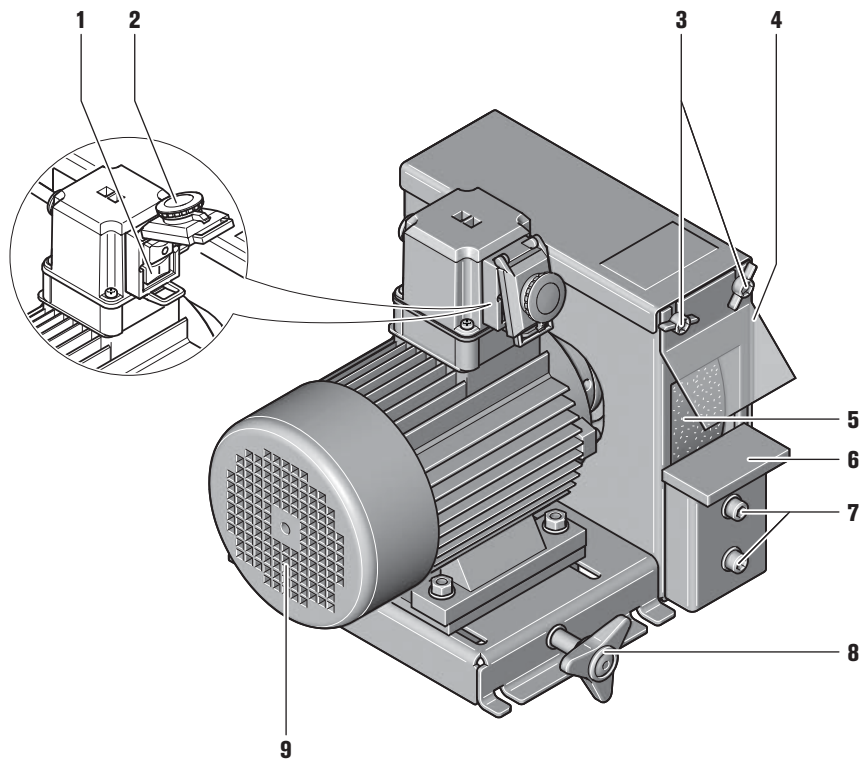
**2023-03-14**

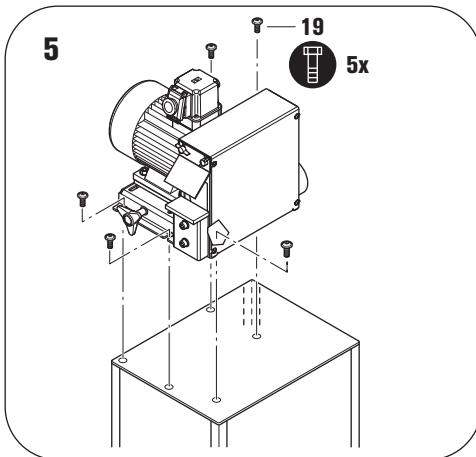
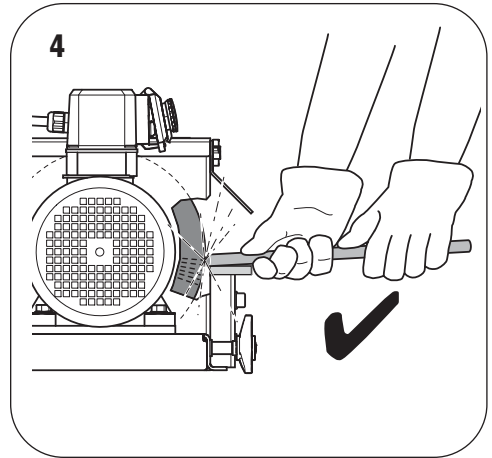
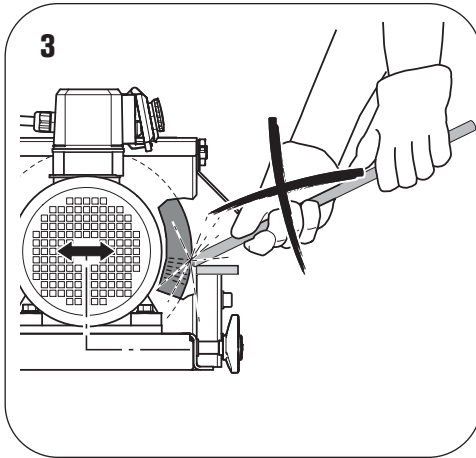
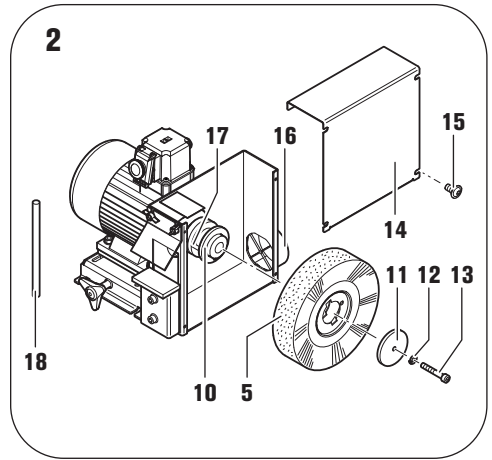
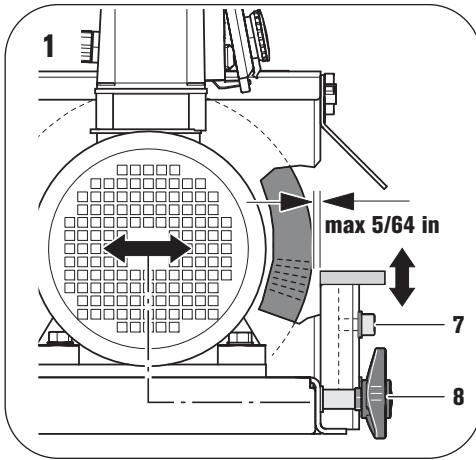
		<b>GXE (**)</b>	<b>GXE (**)</b>	<b>GXE (**)</b>	<b>GXE (**)</b>	<b>GXE (**)</b>
		7 901 ...	7 901 ...	7 901 ...	7 901 ...	7 901 ...
<b>U</b>	V	3 x 400 3~	3 x 440 3~	3 x 230 3~	3 x 220 3~	3 x 575 3~
<b>f</b>	Hz	50	60	50	60	60
<b>P<sub>I</sub></b>	W	2 200	2 200	2 200	2 200	2 200
<b>n</b>	rpm (/min)	1 440	1 730	1 440	1 730	1 730
	in (mm)	10 (250)	10 (250)	10 (250)	10 (250)	10 (250)
	in (mm)	2 (51)	2 (51)	2 (51)	2 (51)	2 (51)
	in (mm)	2 23/64 (60)	2 23/64 (60)	2 23/64 (60)	2 23/64 (60)	2 23/64 (60)
	lbs (kg)	70.5 (32)	70.5 (32)	70.5 (32)	70.5 (32)	70.5 (32)
		±/l	±/l	±/l	±/l	±/l

**en**  5

**fr**  9

**es**  13



















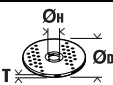


## Original Instructions.

## Symbols, abbreviations and terms used.

The symbols in the Instruction Manual and on the machine shall aide in directing your attention to possible hazardous situations when working with this machine.

Symbol, character	Explanation
	Do not touch the rotating parts of the machine.
	Observe the instructions in the text or graphic opposite!
	Make sure to read the enclosed documents such as the Instruction Manual and the General Safety Instructions.
	Before commencing this working step, pull the mains plug out of the socket. Otherwise there may be danger of injury caused by unintentional starting of the machine.
	Use eye protection during operation.
	Use ear protection during operation.
	Use a dust mask during operation.
	Use protective gloves during operation.
	Danger warning
	This symbol confirms the certification of this product for the USA and Canada.
	Worn out machine and other electrotechnical and electrical products should be sorted separately for environmental-friendly recycling.
3~	Mains supply: three-phase alternating current
	Switching on
	Switching off
	Rotation direction
	Product with basic insulation plus additional insulation on touchable, conductive parts connected to the protective conductor.
(**)	may contain numbers and letters

Character	Unit of measurement, national	Explanation
$n$	/min, $\text{min}^{-1}$ , rpm, r/min	No-load speed
$P_1$	W	Power input
$U$	V	Rated voltage
$f$	Hz	Frequency
	lbs, kg	Weight
$\emptyset$	in, mm	Diameter of a round part
	in, mm	$\emptyset D$ =Max. application tool diameter $\emptyset H$ =Diameter of mounting hole $T$ =Thickness of application tool
	m, s, kg, A, mm, V, W, Hz, N, °C, dB, min, m/s <sup>2</sup>	Basic and derived units of measurement from the international system of units <b>SI</b> .

## For your safety.



Do not use this machine before you have thoroughly read and completely understood these operating instructions, including the figures, specifications, and safety regulations.

Please also observe the relevant national regulations on electrical safety and occupational safety.

Non-observance of the safety instructions in the said documentation can lead to an electric shock, burns and/or severe injuries.

This Instruction Manual should be kept for later use and enclosed with the power tool, should it be passed on or sold.

### Intended use of the machine.

This machine is intended for deburring and polishing metal materials (except magnesium) using the application tools and accessories recommended by FEIN in weather-protected environments. The machine is not approved for use with grinding discs.

### Special safety instructions.

**Wear personal protective equipment. Depending on application, use face shield, safety goggles or safety glasses. Where appropriate, wear dust mask, hearing protectors, gloves and workshop apron capable of stopping small abrasive or workpiece fragments.** The eye protection must be capable of stopping flying debris generated by various operations. The dust mask or respirator must be capable of filtering particles generated by your operation. Prolonged exposure to high intensity noise may cause hearing loss.

**While working, do not wear loose clothing, jewellery or open, long hair.** Despite protective devices, loose objects can be snagged or caught by moving parts and lead to injury.

**Do not use brushes, grinding and polishing tools that have not been specifically developed or approved by the manufacturer.** Safe operation is not ensured only because brushes, grinding and polishing tools fit on your machine.

**The allowable speed of the brushes, grinding and polishing tools must be at least equal to the maximum speed marked on the machine.** Tools running faster than their rated speed can break apart and be thrown about.

**Always use undamaged clamping discs of correct size and shape for the selected application tool.** Suitable flanges support the application tool and thus reduce the danger of tool breakage.

**Please observe that brushes can lose wire bristles or fragments during operation. Do not overstress the wires by applying excessive load to the brush.** The wire bristles can easily penetrate light clothing and/or skin.

**Do not use damaged application tools. Before each use, check application tools such as wire brushes for loose or broken wires.** The outside diameter and the thickness of the application tool must be within the capacity rating of your machine.

**Always use the protective devices attached on the machine. The protective devices must be securely mounted to the machine in order to achieve maximum safety.** The protective devices are supposed to protect the user from grinding particles thrown from the machine and from accidental contact with the brushes, grinding and polishing tools.

**Warning! Danger of fire and explosion! When grinding metals (e.g., aluminium or magnesium), dust develops that may be combustible or explosive. Do not operate the machine near flammable materials.** Sparks could cause these materials to ignite.

**Keep bystanders a safe distance away from work area. Anyone entering the work area must wear personal protective equipment.** Fragments of workpiece or of a broken accessory may fly away and cause injury beyond immediate area of operation.

**The workpiece must securely face flat on the grinding rest. Workpieces that are too small may not be worked.** Danger of injury by the workpiece being thrown from the machine.

**The surface being worked can become very hot.** Do not touch it with your hands.



**Never touch rotating brushes, grinding and polishing tools.** Danger of injury.

**In situations of danger, immediately press the safety pushbutton.** The machine runs on for approx. 50 seconds.

**Clean the ventilation openings on the power tool at regular intervals using non-metal tools.** The blower of the motor draws dust into the housing. An excessive accumulation of metallic dust can cause an electrical hazard.

**Ensure that the machine is positioned securely and horizontal.** Serious injuries can be caused if the machine tips over during operation.

**The mains plug of the machine may be mounted only by a qualified electrician.** The protective conductor in the mains socket outlet must be connected with the protective earthing of the mains supply.

**Pull out the mains plug for maintenance and repair!** Switching the machine on unintentionally can lead to serious injuries.

**Have the electrical safety of the machine checked regularly in accordance with statutory regulations.** For machines that have not been checked, there may be danger of electrical shock!

**Check the rotation direction of the motor before starting the operation of the machine for the first time.** If the rotation direction of the motor is incorrect, the workpiece can be thrown from the machine and cause an accident. The rotation direction may be changed only by a qualified electrician.

### Handling hazardous dusts

For work procedures with this power tool where material is removed, dusts develop that can be hazardous to one's health.

Contact with or inhaling some dust types, e. g. asbestos and asbestos-containing materials, lead-containing coatings, metal, some wood types, minerals, silicate particles

from materials containing stone, paint solvents, wood preservatives, antifouling paints for vessels, can trigger allergic reactions to the operator or bystanders and/or lead to respiratory infections, cancer, birth defects or other reproductive harm. The risk from inhaling dusts depends on the exposition. Use dust extraction matched appropriately for the developing dust, as well as personal protective equipment and provide for good ventilation of the workplace. Leave the processing of asbestos-containing materials to specialists.

Wood and light-metal dust, hot mixtures of grinding dust and chemical materials can self-ignite under unfavourable conditions or cause an explosion. Avoid sparking in the direction of the dust collector as well as overheating of the power tool and the materials being sanded, empty the dust collector/container in time, observe the material manufacturer's working instructions, as well as the relevant regulations in your country for the materials being worked.

## At a glance.

- 1 On/Off switch
- 2 Safety pushbutton
- 3 Wing bolts of the spark guard
- 4 Spark guard
- 5 Brushes, grinding or polishing tools
- 6 Grinding rest
- 7 Fastening screws of the grinding rest
- 8 Adjustment screw for gap clearance
- 9 Venting slots
- 10 Tool holder
- 11 Clamping washer
- 12 Spring washer
- 13 Clamping screw
- 14 Safety cover
- 15 Screw of the safety cover
- 16 Hose connection socket for dust extraction
- 17 Drilled hole
- 18 Pin
- 19 Fastening screws of sub base for work bench

## Assembly instructions (figure 5).


Fasten the machine on the Fein sub base GIXS or GIXBE (see Assembly instructions) or on a work bench with fitting bolts (19).

Fasten the sub base or the work bench to the floor using suitable dowel/bolt connections.

All connections must withstand the forces that arise during working.

Faulty assembly can cause the sub base or work bench to tilt over or the machine to loosen from the sub base or work bench during operation, and lead to serious accidents.


## Electrical connection.

-  The electrical connection, which is to be provided by customer, must be carried out by a qualified electrician.

**Observe mains voltage:** The mains voltage and the frequency of the power source must agree with the data on the type plate of the machine.

Before starting operation for the first time, check the rotation direction of the motor. The rotation direction may be changed only by a qualified electrician.

## Adjustments.


-  **Before any work on the machine itself, pull the mains plug.**

### Adjusting the grinding rest (6).

Loosen both adjustment screws (7). Adjust the grinding rest to the required height, depending on the size of the workpiece.

Retighten the adjustment screws (7).

### Adjusting the gap clearance (figure 1).

-  Brushes, grinding or polishing tools are subject to normal wear. Therefore, the gap clearance must be checked regularly and corrected if required.

Turn handle screw (8) until the clearance between brush, grinding or polishing tool (5) and grinding rest (6) is **maximum 5/64 in.**

## Replacing brushes, grinding or polishing tools (figure 2).

-  **Before any work on the machine itself, pull the mains plug.**

Loosen the four screws (15) and remove the safety cover (14).

Increase the gap clearance with the handle screw (8).

Adjust the required gap clearance with the handle screw (8).

Insert the enclosed pin (18) into the drilled hole (17) and secure the tool holder against turning.

Loosen clamping screw (13) and remove clamping washer (11).


Remove the brush, grinding or polishing tool.

Insert a new brush, grinding or polishing tool. Make sure that the drive pin on the tool holder (10) engages in the hole on the disc.

Mount the clamping washer (11) and the clamping screw (13) with the spring washer (12), and tighten the clamping screw.

Mount the safety cover (14) and tighten the four screws (15) again.

Switch the machine on and check the true running.

-  In the case of strong vibrations or noise, there may be an imbalance on the brush or on the grinding or polishing tool. Replace out-of-balance application tools immediately! Pay attention to the correct rotation direction of the application tools!

Adjust the grinding rest (6) to the required height.

Adjust the required gap clearance with the handle screw (8).


## Operating instructions.

### Switching on:

Disengage and fold up the safety pushbutton (2). Press pushbutton "1" (1).

### Switching off:

Fold up safety pushbutton (2). Press pushbutton "0" (1).

-  After switching off, the machine runs on for approx. 50 seconds.

**Safety pushbutton:**

In situations of danger, press the safety pushbutton to switch the machine off.

**Overload protection.**

In case of continuous high load over a longer period of time, the machine is switched off. After a cooling-down period of approx. 15 minutes, the machine is ready for operation again.

**Working a workpiece (figures 3+4).**

Make sure that the safety cover (14) is securely closed.

Check the gap clearance of the grinding rest and ensure that both fastening screws (7) are tightened.

Check the tight seating of the spark guard (4).

Place the workpiece on the grinding rest and guide it with both hands.

**Extraction device**

We recommend the use of an extraction device.

The machine can be connected via sleeve (16) to an exhauster.

**Noise emission values.**

	Idle	Sanding
A-weighted emission pressure power level measured at the workplace $L_{pA}$ (re 20 $\mu$ Pa), in decibels	78.5	91
Measuring uncertainty $K_{pA}$ , in decibels	4	4
Measured A-weighted sound power level $L_{wA}$ (re 1 pW), in decibels	87	98
Measuring uncertainty $K_{wA}$ , in decibels	2.5	2.5
<b>Operating conditions</b>		
Speed rpm, (/min)	3000	3000
Material	– Stainless steel	
Dimension	Pipe, diameter	
	– 1 43/64 in	
Wire brush	GRIT by Fein	
	– 1/64	

REMARK: The sum of the measured emission value and respective measuring inaccuracy represents the upper limit of the values that can occur during measuring.



Wear hearing protection!

Measured values determined in accordance with the corresponding product standard.

**Repair and customer service.**

Repairs may be carried out only by qualified persons in conformity with the valid regulations.

For repairs, we recommend our FEIN customer service centre, the FEIN authorised service centres and FEIN agencies.

When the machine's power supply cable is damaged, it must be replaced using a specially prepared power supply cable, available from your FEIN customer service agent. The current spare parts list of this machine can be found on the Internet under [www.fein.com](http://www.fein.com).

Carry out the following maintenance regularly:



Blow out the cooling-air openings (9) of the motor housing with compressed air.

Remove any deposits in the housing.

If required, you can change the following parts yourself: application tools, spark guard

**Warranty and liability.**

The warranty for the product is valid in accordance with the legal regulations in the country where it is marketed. In addition, FEIN also provides a guarantee in accordance with the FEIN manufacturer's warranty declaration.

The delivery scope of your machine may include only a part of the accessories described or shown in this instruction manual.

**Environmental protection, disposal.**

Packaging, worn out machines and accessories should be sorted for environment-friendly recycling.

**Connection diagrams.**

**Type GXE 440/254 V, 400/230 V Page 17**

**Type GXE 230 V, 220 V Page 18**

**Type GXE 575/332 V Page 19**



## Instruction d'origine.

### Symboles, abréviations et termes utilisés.

Les symboles utilisés dans cette notice d'utilisation et, le cas échéant, sur l'appareil, servent à attirer votre attention sur les dangers éventuels que comporte le travail avec cet appareil.

Symbole, signe	Explication
	Ne pas toucher les éléments en rotation de la machine.
	Suivre les indications données dans le texte ou la représentation graphique ci-contre !
	Lire impérativement les documents ci-joints tels que la notice d'utilisation et les instructions générales de sécurité.
	Avant d'effectuer ce travail, retirer la fiche de la prise de courant. Sinon, il y a des risques de blessures dus à un démarrage non intentionné de la machine.
	Lors des travaux, porter une protection oculaire.
	Lors des travaux, porter une protection acoustique.
	Lors des travaux, porter une protection anti-poussière.
	Lors des travaux, utiliser un protège-main.
	Mise en garde d'un danger
	Ce symbole confirme la certification de ce produit aux Etats-Unis et au Canada.
	Trier les machines ainsi que les autres produits électrotechniques et électriques et les rapporter à un centre de recyclage respectant les directives concernant la protection de l'environnement.
3~	Raccordement au réseau courant alternatif triphasé
	Mise en marche
	Arrêt
	Sens de rotation
	Produit avec isolation de base et raccordement supplémentaire au conducteur de protection de tous les éléments conducteurs pouvant être touchés.
(**)	peut contenir des chiffres ou des lettres

Signe	Unité nationale	Explication
$n$	/min, $\text{min}^{-1}$ , rpm, r/min	Vitesse à vide
$P1$	W	Puissance absorbée
$U$	V	Tension de référence
$f$	Hz	Fréquence
	lbs, kg	Poids
$\emptyset$	in, mm	Diamètre d'un élément
	in, mm	$\emptyset D$ = diamètre max. accessoires $\emptyset H$ = diamètre de l'alésage $T$ = épaisseur de l'accessoire
	m, s, kg, A, mm, V, W, Hz, N, °C, dB, min, m/s <sup>2</sup>	Unités de base et unités dérivées du système international <b>SI</b> .

## Pour votre sécurité.



Ne pas utiliser cette machine avant d'avoir soigneusement lu et complètement compris cette notice d'utilisation, y compris les figures, les spécifications et les règles de sécurité.

Tenir également compte des réglementations nationales de sécurité électrique et protection du travail en vigueur.

Le non-respect des instructions de sécurité se trouvant dans la documentation mentionnée peut entraîner un choc électrique, un incendie et/ou de graves blessures. Bien garder cette notice d'utilisation en vue d'une utilisation ultérieure ; elle doit être jointe à l'appareil en cas de transmission ou de vente à une tierce personne.

### Utilisation de la machine.

machine conçue pour l'ébarbage et le polissage de métaux à l'abri (à l'exception du magnésium) des intempéries avec les outils de travail et les accessoires autorisés par FEIN. L'utilisation de meules n'est pas autorisée.

### Instructions particulières de sécurité.

**Porter un équipement de protection individuelle. En fonction de l'application, utiliser un écran facial, des lunettes de sécurité ou des verres de sécurité. Le cas échéant, utiliser un masque antipoussières, des protections auditives, des gants et un tablier capables d'arrêter les petits fragments abrasifs ou des pièces à usiner.** La protection oculaire doit être capable d'arrêter les débris volants produits par les diverses opérations. Le masque antipoussières ou le masque respiratoire doit être capable de filtrer les particules produites par vos travaux. L'exposition prolongée aux bruits de forte intensité peut provoquer une perte de l'audition.

**Ne pas porter des vêtements amples, des bijoux et attacher les cheveux longs lors du travail.** Malgré les dispositifs de protection, des objets non fixés peuvent être happés par des pièces en mouvement et entraîner des blessures.

**Ne pas utiliser de brosses, ni d'outils de ponçage ou de polissage qui n'ont pas été spécialement conçus ou conseillés par le fabricant.** Le seul fait qu'une brosse, un outil de ponçage ou de polissage se laisse monter sur votre appareil ne garantit pas une utilisation dépourvue de risque.

**La vitesse de rotation admissible des brosses, des outils de ponçage ou de polissage doit être au moins égale à la vitesse de rotation maximale indiquée sur la machine.**

Les outils qui tournent à une vitesse de rotation supérieure à celle qui est admise risquent de se briser et de voler en éclat.

**Toujours utiliser des disques de serrage non endommagés qui sont de taille et de forme correctes pour l'accessoire que vous avez choisi.** Des flasques de meule appropriés maintiennent l'accessoire et réduisent ainsi le risque de rupture de l'outil.

**Tenir compte que les brosses perdent des brins de fils métalliques pendant leur utilisation. Ne pas soumettre les fils métalliques à une trop grande contrainte en appliquant une charge excessive sur la brosse.** Les brins métalliques peuvent aisément pénétrer dans les vêtements légers et/ou dans la peau.

**Ne pas utiliser d'accessoire endommagé. Avant chaque utilisation, examiner les accessoires tels que brosses métalliques pour détecter des fils desserrés ou cassés.** Le diamètre extérieur et l'épaisseur de votre accessoire doivent se situer dans le cadre des caractéristiques de capacité de votre outil électrique.

**Toujours utiliser les dispositifs de protection se trouvant sur l'appareil. Les dispositifs de protection doivent être solidement montés sur la machine de façon à garantir une sécurité maximale.** Les dispositifs de protection doivent protéger l'utilisateur contre les projections de particules abrasives et contre un contact accidentel avec les brosses et les outils de ponçage et de polissage.

**Attention risque d'incendie et d'explosion ! Lors du ponçage de métaux (par ex. aluminium ou magnésium), de la poussière est générée qui peut être inflammable ou explosive. Ne pas utiliser l'appareil lorsqu'il y a des matériaux inflammables à proximité.** Des étincelles pourraient enflammer ces matériaux.

**Maintenir les personnes présentes à une distance de sécurité par rapport à la zone de travail. Toute personne entrant dans la zone de travail doit porter un équipement de protection individuelle.** Des fragments de pièce à usiner ou d'un accessoire cassé peuvent être projetés et provoquer des blessures en dehors de la zone immédiate d'opération.

**La pièce à travailler doit être toujours bien placée sur la table. Ne pas travailler des pièces trop petites.** Une pièce projetée peut causer des blessures.

**La surface travaillée peut devenir très chaude.** Ne pas la toucher de la main.



**Ne jamais toucher les brosses, les outils de ponçage ou de polissage en rotation.** Il y a un risque de blessures.

**En cas de danger, toujours appuyer immédiatement sur la touche d'arrêt d'urgence.** La machine s'arrête au bout de 50 secondes environ.

**Nettoyer régulièrement les ouïes de ventilation du moteur. La ventilation du moteur aspire de la poussière dans le carter.** Une trop grande quantité de poussière de métal accumulée peut provoquer des incidents électriques.

**Veiller à placer la machine sur une surface plane et dans une position stable.** Au cas où la machine se renverserait pendant le travail, ceci pourrait entraîner de graves blessures.

**Seul un électricien professionnel a le droit de monter la fiche de l'appareil.** Le conducteur de protection dans la prise du secteur doit être connecté à la mise à la terre du réseau électrique.

**Pour les travaux d'entretien et de réparation, retirer la fiche de la prise de courant !** Le fait de mettre en marche la machine par mégarde peut entraîner de graves blessures.

**Faire régulièrement contrôler la sécurité électrique de la machine conformément à la législation en vigueur.** Pour les machines non contrôlées, il y a un risque de choc électrique !

**Avant la première mise en service, contrôler le sens de rotation du moteur.** Si c'est le mauvais sens de rotation, la pièce à travailler peut être projetée et causer des accidents. Seul un électricien professionnel a le droit d'inverser le sens de rotation.

### Emanation de poussières nocives

Lors du travail avec enlèvement de matière, des poussières pouvant être dangereuses sont générées. Toucher ou aspirer certaines poussières, par ex. d'amiante et de matériaux contenant de l'amiante, de peintures contenant du plomb, du métal, de certains bois, de minéraux, des particules de silicate contenues dans les matériaux contenant de la roche, de solvants de peinture, de lasures, de produits antifouling pour bateaux peut causer des réactions allergiques et/ou des maladies des voies respiratoires, un cancer ou des problèmes de fécondité. Le risque causé par l'inhalation de poussières dans les poumons dépend de l'exposition aux poussières. Utilisez une aspiration adaptée à la poussière générée ainsi que des équipements de protection personnels et veiller à bien aérer la zone de travail. Ne confiez le travail sur des matériaux contenant de l'amiante qu'à des spécialistes. Les poussières de bois et les poussières de métaux légers, les mélanges chauds de poussières de ponçage et de produits chimiques peuvent s'enflammer dans certaines conditions ou causer une explosion. Evitez une projection d'étincelles vers le bac de récupération des poussières ainsi qu'une surchauffe de l'outil électrique et des matériaux travaillés, videz à temps le bac de récupération des poussières et respectez les indications de travail du fabricant du matériau ainsi que les règlements en vigueur dans votre pays spécifiques aux matériaux à traiter.

### Vue générale.

- 1 Interrupteur Marche/Arrêt
- 2 Touche d'arrêt d'urgence
- 3 Vis papillon, écran protecteur
- 4 Protection anti-étincelles
- 5 Brosse, outils de ponçage ou de polissage
- 6 Support de ponçage
- 7 Vis de fixation, support de ponçage
- 8 Vis de réglage, cote de la fente
- 9 Oûtes de ventilation
- 10 Porte-outil
- 11 Disque de serrage
- 12 Anneau élastique
- 13 Vis de serrage
- 14 Capot de protection
- 15 Vis, capot de protection
- 16 Tubulure pour aspiration des poussières
- 17 Alésage
- 18 Axe de blocage
- 19 Vis de fixation, socle, table de travail

### Indications de montage (figure 5).


Fixer la machine sur le socle Fein GIXS ou GIXBE (voir instructions de montage) ou sur une table de travail à l'aide des vis appropriées (19).

À l'aide de vis/chevilles appropriées, fixer le socle sur la table de travail sur le sol.

Toutes les fixations doivent pouvoir résister aux forces générées pendant le travail.

Un montage incorrect peut provoquer de graves accidents causés par le basculement du socle ou de la table de travail ou par un appareil qui se détache du socle ou de la table de travail pendant l'opération de travail.

### Branchement électrique.

 Le branchement électrique sur les lieux d'installation doit être effectué par un électricien professionnel.

**Respecter la tension du réseau :** La tension et la fréquence de la source de tension doivent correspondre aux indications figurant sur la plaque signalétique de l'appareil. Avant la première mise en service, contrôler le sens de rotation du moteur. Seul un électricien professionnel a le droit d'inverser le sens de rotation.

### Réglages.


 Avant d'effectuer toute intervention sur la machine, retirer la fiche de la prise de courant.

#### Régler le support de ponçage (6).

Desserrer les deux vis de fixation (7). En fonction de la taille de la pièce à travailler, régler le support à la hauteur nécessaire.

Resserrer les vis de fixation (7).

#### Régler l'espacement (Figure 1).

 Les brosses, les outils de ponçage et de polissage sont soumis à une usure naturelle. C'est pourquoi la cote de la fente doit être régulièrement contrôlée, et le cas échéant, corrigée.

Serrer la vis de la poignée (8) jusqu'à ce que l'écart entre la brosse, l'outil de ponçage ou de polissage (5) et la table de ponçage (6) soit de **5/64 in max.**

### Remplacer les brosses, les outils de ponçage ou de polissage (figure 2).

 Avant d'effectuer toute intervention sur la machine, retirer la fiche de la prise de courant.

Desserrer les quatre vis (15) et retirer le couvercle (14).

Augmenter l'espacement à l'aide de la molette (8).

Régler l'espacement nécessaire à l'aide de la vis de la poignée (8).

Introduire l'axe joint (18) dans l'alésage (17) et bloquer le porte-outil pour éviter qu'il ne se retourne.

Desserrer la vis de serrage (13) et retirer le disque de serrage (11).

Enlever la brosse ou l'outil de ponçage/de polissage.

Monter une brosse ou un outil de ponçage ou de polissage neuf. Veiller à ce que la tige prenne dans le trou du disque se trouvant sur le porte-outil (10).

Remettre en place le disque de serrage (11) et la vis de serrage (13) avec l'anneau élastique (12) et resserrer la vis de serrage.

Monter le capot de protection (14) et resserrer les quatre vis (15).

Mettre l'appareil en marche et contrôler la concentricité.

- !** De fortes vibrations ou un bruit inhabituel peuvent être dues à un défaut d'équilibrage de la brosse ou de l'outil de ponçage ou de polissage. Procéder à remplacer immédiatement les outils déséquilibrés !  
Respecter le sens de rotation des outils !

Régler la table de ponçage (6) sur la hauteur nécessaire.  
Régler l'espacement nécessaire à l'aide de la vis de la poignée (8).


## Instructions d'utilisation.

### Mise en fonctionnement :

Déverrouiller la touche d'arrêt d'urgence (2) et la relever.  
Appuyer sur la touche « 1 » (1).

### Arrêt :

Déverrouiller la touche d'arrêt d'urgence (2). Appuyer sur la touche « 0 » (1).

 Une fois éteint, la machine continue à tourner pendant 50 secondes environ.

### Touche d'arrêt d'urgence :

Dans des situations dangereuses, appuyez sur la touche d'arrêt d'urgence rouge afin d'arrêter l'appareil.

### Protection contre surcharge.

Dans le cas d'une forte sollicitation continue, l'appareil s'éteint. Après un temps de refroidissement de 15 minutes environ, l'appareil est de nouveau prêt à fonctionner.

### Travailler la pièce (Figures 3+4).

S'assurer que le capot de protection (14) est fermé.

Contrôler l'espacement de la table et s'assurer que les deux vis de fixation (7) sont bien serrés.

Contrôler la position correcte de l'écran protecteur (4).

Poser la pièce sur la table et la guider des deux mains.

### Dispositif d'aspiration

Nous recommandons l'utilisation du dispositif d'aspiration.

Il est possible de raccorder la machine au moyen de la tubulure (16) à un dispositif d'aspiration.

## Valeurs d'émission acoustique

	Marche à vide	Ponçage
Mesure réelle (A) du niveau de pression acoustique sur le lieu de travail $L_{pA}$ (re 20 $\mu$ Pa), en décibel	78,5	91
Incertitude $K_{pA}$ , en décibel	4	4
Mesure réelle (A) du niveau d'intensité acoustique pondéré $L_{wA}$ (re 1 pW), en décibel	87	98
Incertitude $K_{wA}$ , en décibel	2,5	2,5

Marche à vide

Ponçage

### Conditions de mise en service

Rotation rpm, (/min)	3000	3000
Matériau	-	Acier inoxydable
Dimension	-	Tube, diamètre 1 43/64 in
Brosse métallique	-	GRIT by Fein 1/64

REMARQUE : La somme de la valeur d'émission mesurée et de l'incertitude constitue la limite supérieure des valeurs qui peuvent apparaître pendant des mesurages.



Porter une protection acoustique !

Valeurs de mesure mesurées conformément à la norme correspondante du produit.

## Travaux d'entretien et service après-vente.

**!** Ne faire effectuer des réparations que par un spécialiste travaillant conformément aux réglementations en vigueur.

Pour des travaux de réparation, nous vous recommandons le service après-vente FEIN, l'atelier agréé FEIN ainsi que les représentants FEIN.

Si un câble d'alimentation de la machine est endommagé, il doit être remplacé par un câble d'alimentation spécialement préparé en vente auprès du service après-vente FEIN.

Vous trouverez la liste actuelle des pièces de rechange de cette machine sur le site Internet [www.fein.com](http://www.fein.com).

Effectuer régulièrement les travaux d'entretien suivants :



Souffler de l'air comprimé dans les orifices d'air de ventilation (9) avec de l'air comprimé.

Enlever les résidus se trouvant dans le carter.

Si nécessaire, vous pouvez vous-même remplacer les éléments suivants : Outils, écran protecteur

## Garantie.

La garantie du produit est valide conformément à la réglementation légale en vigueur dans le pays où le produit est mis sur le marché. Outre les obligations de garantie légale, les appareils FEIN sont garantis conformément à notre déclaration de garantie de fabricant.

Il se peut que seule une partie des accessoires décrits ou représentés dans cette notice d'utilisation soit fournie avec la machine.

## Protection de l'environnement, recyclage.

Rapporter les emballages, usagés et les accessoires dans un centre de recyclage respectant les directives concernant la protection de l'environnement.

## Schémas de connexion.

Type	GXE 440/254 V, 400/230 V	Page 17
Type	GXE 230 V, 220 V	Page 18
Type	GXE 575/332 V	Page 19

Manual original.

## Simbología, abreviaturas y términos empleados.

La simbología utilizada en estas instrucciones de uso o en la máquina, pretende advertirle sobre los posibles peligros que puedan presentarse al trabajar con la máquina.

Símbolo	Definición
	No tocar las piezas en rotación de la máquina.
	¡Seguir las instrucciones indicadas al margen!
	Es imprescindible leer los documentos que se adjuntan, como las instrucciones de servicio y las instrucciones generales de seguridad.
	Antes de realizar este paso de trabajo sacar el enchufe de la red. De lo contrario, podría accidentarse al ponerse en marcha fortuitamente la máquina.
	Al trabajar protegerse los ojos.
	Al trabajar utilizar un protector acústico.
	Al trabajar protegerse del polvo.
	Al trabajar utilizar una protección para las manos.
	Advertencia de peligro
	Este símbolo confirma que este producto ha sido certificado en USA y Canadá.
	Acumular por separado las máquinas y demás productos electro-técnicos y eléctricos inservibles y someterlos a un reciclaje ecológico.
3~	Conexión a red trifásica de alterna
	Conexión
	Desconexión
	Sentido de giro
	Producto dotado con un aislamiento base además de tener conectadas al conductor de tierra las piezas conductoras de corriente susceptibles de ser tocadas.
(**)	puede contener cifras o letras

Símbolo	Unidad nacional	Definición
$n$	/min, $\text{min}^{-1}$ , rpm, r/min	Revoluciones en vacío
$P_1$	W	Potencia absorbida
$U$	V	Tensión nominal
$f$	Hz	Frecuencia
	lbs, kg	Peso
$\emptyset$	in, mm	Diámetro de una pieza redonda
	in, mm	$\emptyset D$ =Diámetro máx. del útil $\emptyset_H$ =Diámetro del alojamiento $T$ =grosor del útil
	m, s, kg, A, mm, V, W, Hz, N, °C, dB, min, m/s <sup>2</sup>	Unidades básicas y unidades derivadas del sistema internacional de unidades <b>SI</b> .

## Para su seguridad.



No emplee esta máquina sin haber leído detenidamente estas instrucciones de uso y sin haberlas comprendido en su totalidad, inclusive las ilustraciones, especificaciones y reglas de seguridad.

Asimismo se deberán observar las directrices nacionales pertinentes a la seguridad eléctrica y protección en el trabajo.

En caso de no atenerse a las instrucciones de seguridad mencionadas en la documentación previamente citada, ello puede provocar una electrocución, incendio y/o lesión grave.

Guarde estas instrucciones de uso para posteriores consultas y entréguelas al usuario en caso de prestar o vender la máquina.

### Uso reglamentario de la máquina.

Máquina para desbarbar y pulir materiales metálicos (excepto magnesio) con útiles y accesorios homologados por Fein en lugares cubiertos. No es permisible utilizar muelas en la máquina.

### Instrucciones de seguridad especiales.

**Utilice un equipo de protección personal. Dependiendo del trabajo a realizar use una careta, una protección para los ojos, o unas gafas de protección. Si procede, emplee una mascarilla antipolvo, protectores auditivos, guantes de protección o un mandil especial adecuado para protegerle de los pequeños fragmentos que pudieran salir proyectados al desprenderse del útil o pieza.** Las gafas de protección deberán ser indicadas para protegerle de los fragmentos que pudieran salir despedidos al trabajar. La mascarilla antipolvo o respiratoria deberá ser apta para filtrar las partículas producidas al trabajar. La exposición prolongada al ruido puede provocar sordera.

**Al trabajar no emplee ropa holgada, ni joyas, ni lleve suelto el pelo, si es largo.** A pesar de los dispositivos de protección, es posible que los objetos sueltos sean arrastrados por piezas móviles y provoquen un accidente.

**No utilice cepillos, ni útiles de lijar o pulir que no hayan sido especialmente desarrollados u homologados por el fabricante.** El mero hecho de que sean montables cepillos o útiles de lijar o pulir en la máquina, no supone que su funcionamiento sea seguro.

**Las revoluciones admisibles de los cepillos y de los útiles de lijar o pulir deberán ser como mínimo igual de altas que las revoluciones máximas indicadas en la máquina.** Los útiles que giren a unas revoluciones mayores a las admisibles se pueden llegar a romper y salir despedidos.

**Siempre use para el útil seleccionado discos de apriete del tamaño y forma correctas.** Una brida adecuada soporta convenientemente el útil y reduce así el peligro de rotura del mismo.

**Tenga en cuenta que los cepillos van perdiendo púas por el uso. No fuerce las púas ejerciendo una fuerza de aplicación excesiva.** Las púas desprendidas pueden traspasar muy fácilmente tela delgada y/o la piel.

**No use útiles dañados. Antes de cada utilización inspeccione si las púas de los cepillos de alambre están sueltas o rotas.** El diámetro exterior y el grosor del útil se deberán corresponder con las medidas indicadas para su herramienta eléctrica.

**Siempre utilice los dispositivos de protección que lleva la máquina. Los dispositivos de protección deberán estar montados firmemente en la máquina para alcanzar una seguridad máxima.** Los dispositivos de seguridad tienen la misión de proteger al usuario de las partículas proyectadas y del contacto fortuito con los cepillos o útiles de lijar o pulir.

**¡Atención, peligro de incendio y explosión! Al lijar metales (p. ej. aluminio o magnesio) se produce polvo susceptible de incendiarse o explotar. No utilice la máquina cerca de materiales combustibles.** Las chispas producidas al trabajar pueden llegar a incendiar estos materiales.

**Cuide que las personas en las inmediaciones se mantengan a suficiente distancia de la zona de trabajo. Toda persona que acceda a la zona de trabajo deberá utilizar un equipo de protección personal.** Podrían ser lesionadas, incluso fuera del área de trabajo inmediato, al salir proyectados fragmentos de la pieza de trabajo o del útil.

**La pieza deberá asentarse siempre firmemente sobre la mesa lijadora. No es permisible trabajar piezas demasiado pequeñas.** Existe riesgo de lesión al salir despedida la pieza.

**La superficie tratada se puede poner muy caliente.** No la toque con la mano.



**Jamás toque cepillos, ni útiles de lijar o pulir en funcionamiento.** Podría accidentarse.

**Si se presenta una situación de peligro, accione inmediatamente el botón de parada de seguridad.** La máquina sigue en marcha por inercia unos 50 s.

**Limpie periódicamente las rejillas de refrigeración de la máquina. El ventilador del motor aspira polvo hacia el interior de la carcasa.** En caso de acumularse polvo de metal en exceso, ello puede provocar al usuario una descarga eléctrica.

**Coloque la máquina de manera que quede en una posición firme y horizontal.** En caso de que la máquina vuelva durante el trabajo, ello puede acarrear lesiones graves.

**El enchufe de la máquina solamente deberá ser montado por un electricista.** El conductor de protección de la toma de corriente deberá estar conectado a la toma de tierra de la red.

**¡Al realizar trabajos de mantenimiento y reparación extraer el enchufe de la red!** Si la máquina se conecta accidentalmente, ello puede acarrear lesiones graves.

**Deje controlar periódicamente la seguridad eléctrica de la máquina según las disposiciones que marca la ley.** ¡Las máquinas no sometidas a este control pueden causar una electrocución!

**Antes de la primera puesta en marcha verifique el sentido de giro del motor.** Si el sentido de giro fuese incorrecto, ello puede provocar que la pieza salga proyectada y cause un accidente. La inversión del sentido de giro solamente deberá ser realizado por un electricista.

## Manipulación con materiales peligrosos

Al trabajar con esta herramienta en desbaste de material se genera polvo que puede ser peligroso.

El contacto o inspiración de ciertos materiales en polvo como, p. ej., el amianto o los materiales que lo contienen, pinturas con plomo, metales, ciertos tipos de madera, minerales, partículas de sílice de materiales a base de mineral, disolventes de pintura, conservadores de la madera y antifouling para embarcaciones puede provocar en las personas reacciones alérgicas y/o enfermedades respiratorias, cáncer, daños congénitos o trastornos reproductivos. El riesgo derivado de la inspiración de material en polvo depende de la frecuencia de exposición al mismo. Utilice un sistema de aspiración apropiado para el polvo producido en combinación con un equipo de protección personal y cuide que esté bien ventilado el puesto de trabajo. Se recomienda que los materiales que contengan amianto sean procesados por especialistas. El polvo de madera y el de aleaciones ligeras, así como la mezcla de sustancias químicas con material en polvo caliente pueden llegar a autoinflamarse o provocar una explosión. Evite el salto de chispas en dirección al depósito de polvo así como el sobrecalentamiento de la herramienta eléctrica y de la pieza a lijar, vacíe con suficiente antelación el depósito de polvo, respete las instrucciones de trabajo del fabricante del material y las prescripciones vigentes en su país sobre los materiales a trabajar.

## De una ojeada.

- 1 Interruptor de conexión/desconexión
- 2 Botón de parada de seguridad
- 3 Tornillos de mariposa de protección contra chispas
- 4 Protección contra chispas
- 5 Cepillo, útiles de lijar o pulir
- 6 Base lijadora
- 7 Tornillos de sujeción de base de lijar
- 8 Tornillo de ajuste de ranura
- 9 Rejillas de refrigeración
- 10 Portaútiles
- 11 Disco de apriete
- 12 Anillo elástico
- 13 Tornillo de sujeción
- 14 Cubierta de protección
- 15 Tornillo de cubierta de protección
- 16 Racor para aspiración de polvo
- 17 Taladro
- 18 Stift
- 19 Tornillos de sujeción de bastidor inferior, mesa de trabajo

## Instrucciones de montaje (figura 5).

Fije la máquina al bastidor inferior Fein GIXS o GIXBE (ver instrucciones de montaje), o a una mesa de trabajo, con los tornillos apropiados (19).

Fije el bastidor inferior, o la mesa de trabajo, al suelo empleando tacos y tornillos adecuados.

Todos los puntos de sujeción deberán soportar las fuerzas que se presenten durante el trabajo.

Un montaje incorrecto puede hacer que el bastidor inferior o la mesa de trabajo vuelquen, o que la máquina se afloje del bastidor inferior, o de la mesa de trabajo, llegando a acarrear serios accidentes.

## Conexión eléctrica.

⚠ La conexión eléctrica en el local de aplicación deberá ser realizada por un electricista.

**Observar la tensión de red:** La tensión y frecuencia de la alimentación deberán coincidir con las indicaciones de la placa de características de la máquina.

Antes de la primera puesta en marcha verifique el sentido de giro del motor. La inversión del sentido de giro solamente deberá ser realizado por un electricista.

## Ajustes.

⚠ **Antes de cualquier manipulación en la máquina extraiga el enchufe de red de la toma de corriente.**

### Ajuste de la base lijadora (6).

Afloje ambos tornillos de ajuste (7). Ajuste la base de lijar a la altura requerida, de acuerdo al tamaño de la pieza.

Apriete de nuevo los tornillos de ajuste (7).

### Ajuste de la ranura (Figura 1).

⚠ Los cepillos y los útiles de lijar y pulir están sometidos a un desgaste natural. Por eso, es necesario controlar con regularidad la medida de la ranura, y corregirla, si procede.

Gire la manilla (8) de manera que la separación entre el cepillo o el útil de lijar o pulir (5) y la mesa lijadora (6) **no supere los 5/64 in.**

## Cambio del cepillo o del útil de lijar o pulir (figura 2).

⚠ **Antes de cualquier manipulación en la máquina extraiga el enchufe de red de la toma de corriente.**

Afloje los cuatro tornillos (15) y desmonte la cubierta de protección (14).

Amplíe la medida de la ranura con la manilla (8).

Ajuste con la manilla (8) la medida de la ranura requerida. Inserte la espiga (18) que se adjunta en el taladro (17) de manera que no se pueda girar el portaútiles.

Afloje el tornillo de sujeción (13) y retire el disco de apriete (11).

Desmonte el cepillo o el útil de lijar o pulir.

Monte un cepillo nuevo, o bien, un útil de lijar o pulir nuevo. Preste atención a que la espiga de arrastre del portaútiles (10) quede alojada en el taladro del disco.

Monte de nuevo el disco de apriete (11), el tornillo de sujeción (13), y el anillo elástico (12), y apriete firmemente el tornillo de sujeción.

Monte la cubierta de protección (14) y apriete firmemente de nuevo los cuatro tornillos (15).

Conecte la máquina y verifique la redondez de giro.

⚠ En caso de percibirse unas fuertes vibraciones o ruido, es probable que esté desequilibrado el cepillo o el útil de lijar o pulir. ¡Sustituir inmediatamente los útiles que estén desequilibrados! ¡Preste atención al sentido de giro correcto de los útiles!

Ajuste la mesa lijadora (6) a la altura necesaria.

Ajuste con la manilla (8) la medida de la ranura requerida.


## Instrucciones de manejo.

### Conexión:

Desenclavar y abatir hacia arriba el botón de parada de seguridad (2). Apretar el botón "I" (1).

### Desconexión:

Abatir hacia arriba el botón de parada de seguridad (2). Apretar el botón "0" (1).

 Tras su desconexión, la máquina sigue en marcha por inercia aprox. 50 s.

### Botón de parada de seguridad:

Si se presenta una situación de peligro, accione inmediatamente el botón de parada de seguridad.

### Protección contra sobrecarga.

La máquina se detiene si es fuertemente solicitada durante un tiempo prolongado. Tras un tiempo de enfriamiento de aprox. 15 minutos vuelve a estar disponible la máquina.

### Forma de trabajar las piezas (figuras 3 y 4).

Asegúrese de que esté cerrada la cubierta de protección (14).

Verifique la medida de la ranura de la mesa lijadora y asegúrese de que estén firmemente apretados ambos tornillos de sujeción (7).

Controle la sujeción firme de la protección contra chispas (4).

Apoye la pieza sobre la mesa lijadora y guíela con ambas manos.

### Equipo de aspiración

Se recomienda usar un dispositivo de aspiración.

La máquina puede conectarse a un equipo de aspiración a través del racor (16).

## Valores de emisión de ruido.

	Vacío	Lijado
Nivel de de presión sonora $L_{pA}$ (re 20 $\mu$ Pa), medido con filtro A en el puesto de trabajo, en decibelios	78,5	91
Inseguridad $K_{pA}$ , en decibelios	4	4
Nivel de potencia acústica $L_{wA}$ (re 1 pW), medido con filtro A, en decibelios	87	98
Inseguridad $K_{wA}$ , en decibelios	2,5	2,5
<b>Condiciones de servicio</b>		
Revoluciones rpm, [/min]	3000	3000
Material	–	acero inoxidable
Dimensiones	–	Tubo, diámetro – 1 43/64 in

Vacío

Lijado

Cepillo de alambre

GRIT by Fein  
1/64

**OBSERVACIÓN:** la suma de los valores emitidos medidos, considerando la inseguridad respectiva, representa el límite superior que puede alcanzarse en las mediciones.



¡Utilizar unos protectores acústicos!

Valores de medición determinados según normativa del producto pertinente.

## Reparación y servicio técnico.



Las reparaciones deberán ser realizadas por un técnico de acuerdo con las prescripciones vigentes.

En caso de una reparación recomendamos recurrir a un servicio técnico FEIN, un taller concertado FEIN o una representante FEIN.

En caso de que se dañe el cable de conexión de la máquina es necesario sustituirlo por un cable de repuesto original adquirible a través de uno de los servicios técnicos FEIN.

La lista de piezas de recambio actual de esta máquina la encuentra en internet en [www.fein.es](http://www.fein.es).

Realice periódicamente los trabajos de mantenimiento siguientes:



Sople las rejillas de ventilación (9) de la carcasa motor con aire comprimido.

Retire los residuos que pudieran haberse acumulado en la carcasa.

Si fuese preciso, puede sustituir Ud. mismo las piezas siguientes: útiles, protección contra chispas

## Garantía.

La garantía del producto se realiza de acuerdo a las regulaciones legales vigentes en el país de adquisición. Adicionalmente, FEIN ofrece una garantía ampliada de acuerdo con la declaración de garantía del fabricante FEIN.

El material de serie suministrado con su máquina puede que no corresponda en su totalidad al material descrito o mostrado en estas instrucciones de uso.

## Protección del medio ambiente, eliminación.

Tanto los embalajes como las máquinas y accesorios inservibles deben ser llevados a un Punto Limpio para ser reciclados ecológicamente.

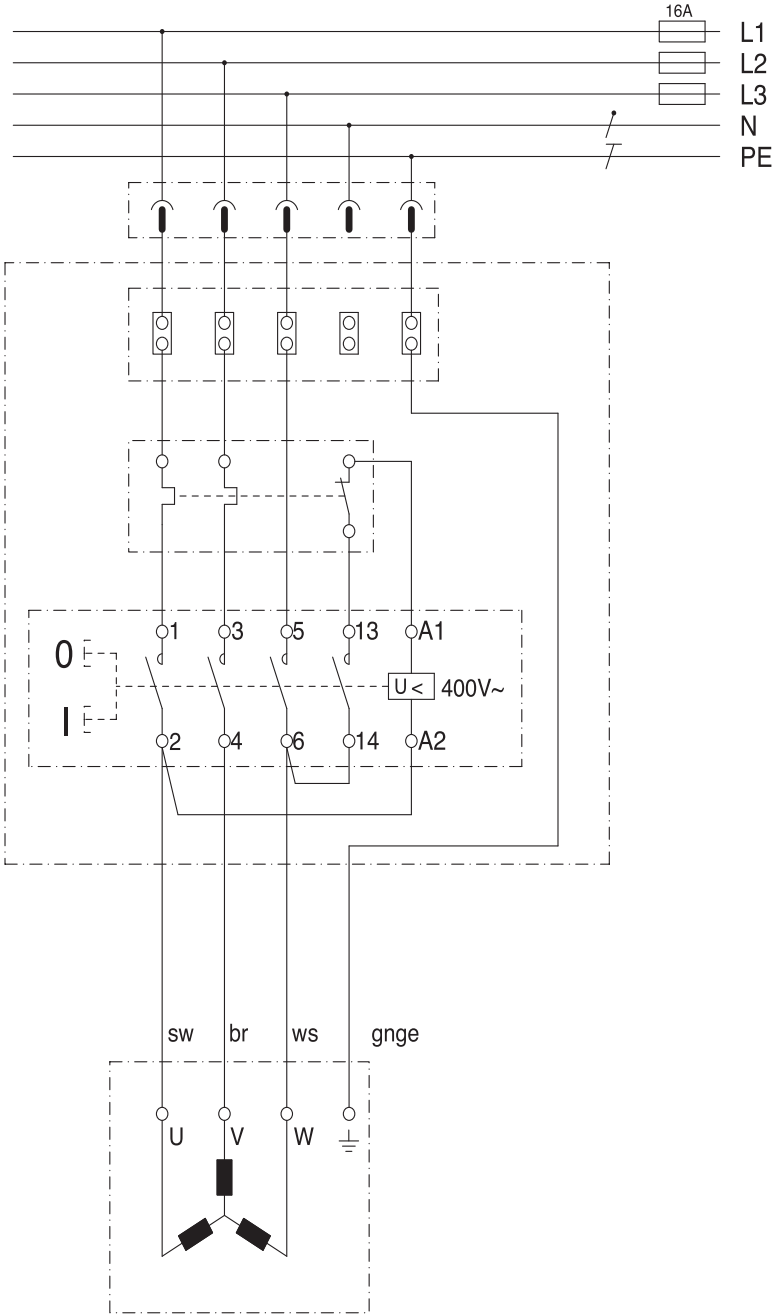
## Esquemas de conexión.

<b>Tipo</b>	<b>GXE 440/254 V, 400/230 V</b>	<b>página 17</b>
<b>Tipo</b>	<b>GXE 230 V, 220 V</b>	<b>página 18</b>
<b>Tipo</b>	<b>GXE 575/332 V</b>	<b>página 19</b>



# GXE

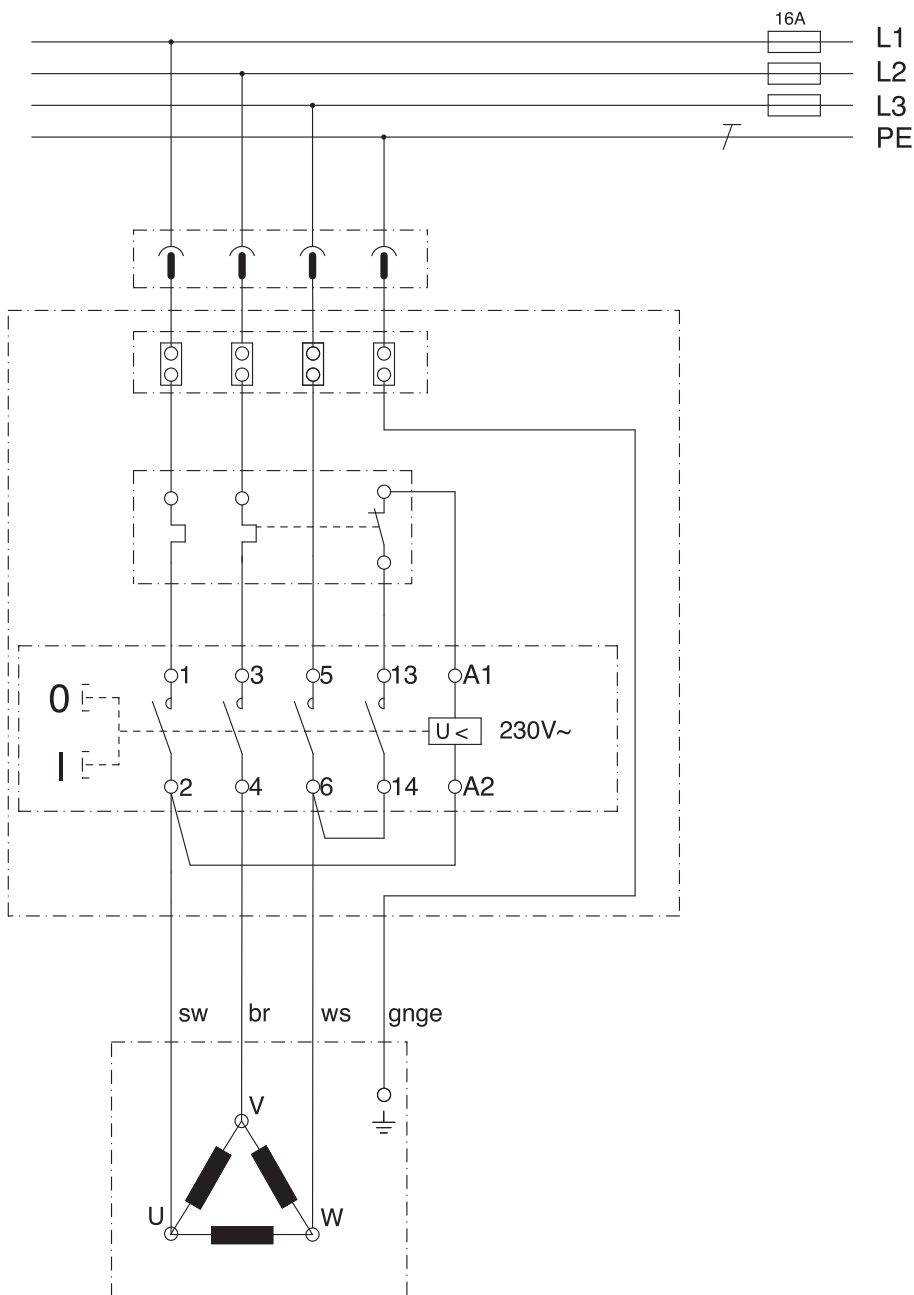
3/N/PE 50/60 Hz 440/254 V  
3/N/PE 50/60 Hz 400/230 V



**GXE**

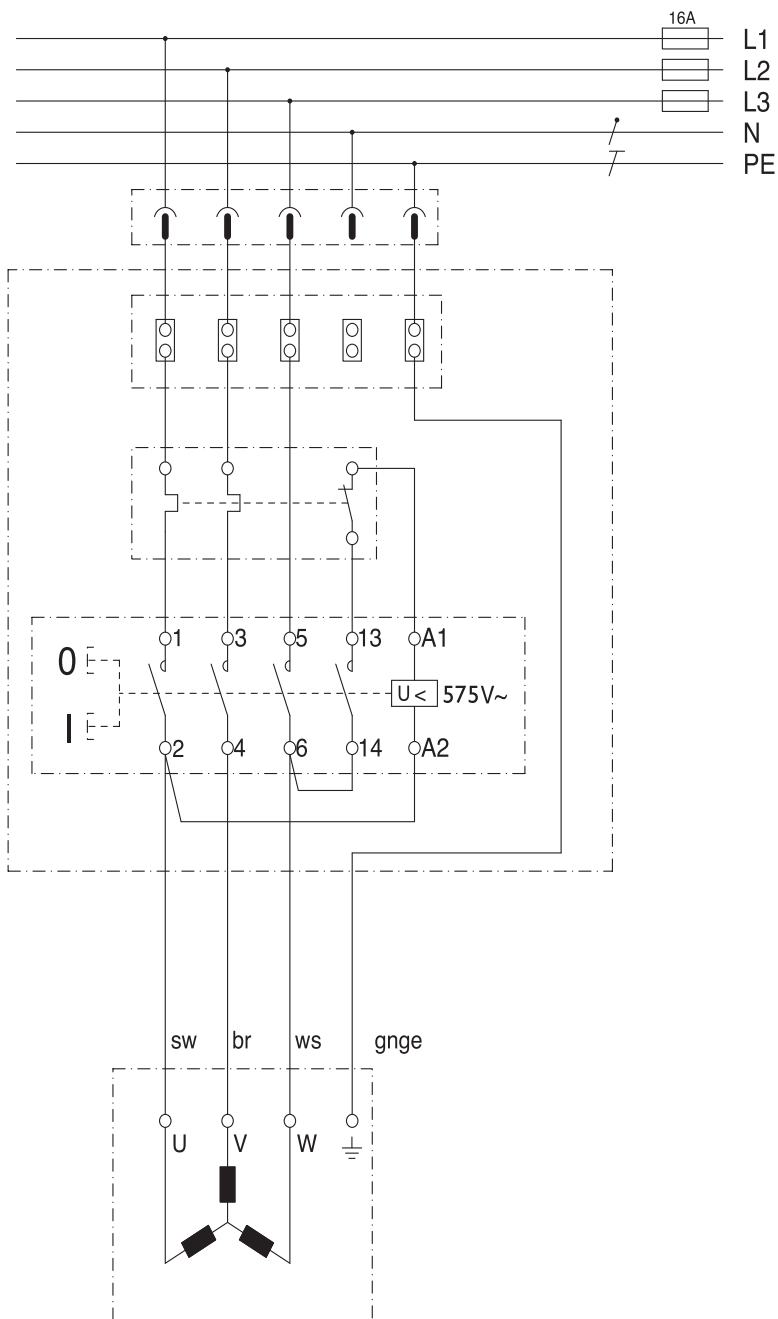
3/PE 50/60 Hz 230 V

3/PE 50/60 Hz 220 V



**GXE**

3/N/PE 50/60 Hz 575/332 V





**USA**

FEIN Power Tools, Inc.  
1000 Omega Drive  
Suite 1180  
Pittsburgh, PA 15205  
[www.feinus.com](http://www.feinus.com)

**Canada**

FEIN Canadian Power Tool Company  
323 Traders Boulevard East  
Mississauga, Ontario L4Z 2E5  
[www.fein.ca](http://www.fein.ca)

**FEIN Service**

FEIN Power Tools, Inc.  
2735 Hickory Grove Road  
Davenport, IA 52804  
[magdrillrepair@feinus.com](mailto:magdrillrepair@feinus.com)

**Headquarter**

C. & E. Fein GmbH  
Hans-Fein-Straße 81  
D-73529 Schwäbisch Gmünd-Bargau  
[www.fein.com](http://www.fein.com)

