



CCG18-125-10 AS ()**
CCG18-125-10PD AS ()**

7 122 ...
7 122 ...

English (en)
Français (fr)
Español (es)



3 41 01 375 21 0

2023-07-05



en Instruction Manual



fr Mode d'emploi



es Instrucciones de uso




For your safety.

WARNING

Read all safety warnings and all instructions.

Failure to follow the warnings and instructions may result in electric shock, fire and/or serious injury.

Save all warnings and instructions for future reference.

 Do not use this power tool before you have thoroughly read and completely understood this Instruction Manual, including the figures, specifications, safety regulations and the signs indicating DANGER, WARNING and CAUTION.

Only carry out such operations with this power tool as intended for by FEIN. Only use application tools and accessories that have been released by FEIN.

Please also observe the relevant national industrial safety regulations.

Non-observance of the safety instructions in the said documentation can lead to an electric shock, burns and/or severe injuries.

This Instruction Manual should be kept for later use and enclosed with the power tool, should it be passed on or sold.

SAVE THESE INSTRUCTIONS.

The term “power tool” in the warnings refers to your mains-operated (corded) power tool or battery operated (cordless) power tool.

General Power Tool Safety Warnings.

1) Work area safety

- a) **Keep work area clean and well lit.** Cluttered or dark areas invite accidents.
- b) **Do not operate power tools in explosive atmospheres, such as in the presence of flammable liquids, gases or dust.** Power tools create sparks which may ignite the dust or fumes.
- c) **Keep children and bystanders away while operating a power tool.** Distraction can cause you to lose control.

2) Electrical safety

- a) **Power tool plugs must match the outlet. Never modify the plug in any way. Do not use any adapter plugs with earthed (grounded) power tools.** Unmodified plugs and matching outlets will reduce risk of electric shock.
- b) **Avoid body contact with earthed or grounded surfaces such as pipes, radiators, ranges and refrigerators.** There is an increased risk of electric shock if your body is earthed or grounded.
- c) **Do not expose power tools to rain or wet conditions.** Water entering a power tool will increase the risk of electric shock.
- d) **Do not abuse the cord. Never use the cord for carrying, pulling or unplugging the power tool. Keep cord away from heat, oil, sharp edges or moving parts.** Damaged or entangled cords increase the risk of electric shock.
- e) **When operating a power tool outdoors, use an extension cord suitable for outdoor use.** Use of a cord suitable for outdoor use reduces the risk of electric shock.
- f) **If operating a power tool in a damp location is unavoidable, use a ground fault circuit interrupter (GFCI) protected supply.** Use of an GFCI reduces the risk of electric shock.

3) Personal safety

- a) **Stay alert, watch what you are doing and use common sense when operating a power tool. Do not use a power tool while you are tired or under the influence of drugs, alcohol or medication.** A moment of inattention while operating power tools may result in serious personal injury.
- b) **Use personal protective equipment. Always wear eye protection.** Protective equipment such as dust mask, non-skid safety shoes, hard hat, or hearing protection used for appropriate conditions will reduce personal injuries.

- c) **Prevent unintentional starting.** Ensure the switch is in the off-position before connecting to power source and/or battery pack, picking up or carrying the tool. Carrying power tools with your finger on the switch or energising power tools that have the switch on invites accidents.
 - d) **Remove any adjusting key or wrench before turning the power tool on.** A wrench or a key left attached to a rotating part of the power tool may result in personal injury.
 - e) **Do not overreach. Keep proper footing and balance at all times.** This enables better control of the power tool in unexpected situations.
 - f) **Dress properly. Do not wear loose clothing or jewelry. Keep your hair, clothing and gloves away from moving parts.** Loose clothes, jewelry or long hair can be caught in moving parts.
 - g) **If devices are provided for the connection of dust extraction and collection facilities, ensure these are connected and properly used.** Use of dust collection can reduce dust-related hazards.
- 4) Power tool use and care**
- a) **Do not force the power tool. Use the correct power tool for your application.** The correct power tool will do the job better and safer at the rate for which it was designed.
 - b) **Do not use the power tool if the switch does not turn it on and off.** Any power tool that cannot be controlled with the switch is dangerous and must be repaired.
 - c) **Disconnect the plug from the power source and/or the battery pack from the power tool before making any adjustments, changing accessories, or storing power tools.** Such preventive safety measures reduce the risk of starting the power tool accidentally.
 - d) **Store idle power tools out of the reach of children and do not allow persons unfamiliar with the power tool or these instructions to operate the power tool.** Power tools are dangerous in the hands of untrained users.
 - e) **Maintain power tools. Check for misalignment or binding of moving parts, breakage of parts and any other condition that may affect the power tool's operation. If damaged, have the power tool repaired before use.** Many accidents are caused by poorly maintained power tools.
 - f) **Keep cutting tools sharp and clean.** Properly maintained cutting tools with sharp cutting edges are less likely to bind and are easier to control.
 - g) **Use the power tool, accessories and tool bits etc. in accordance with these instructions, taking into account the working conditions and the work to be performed.** Use of the power tool for operations different from those intended could result in a hazardous situation.
- 5) Battery tool use and care**
- a) **Recharge only with the charger specified by the manufacturer.** A charger that is suitable for one type of battery pack may create a risk of fire when used with another battery pack.
 - b) **Use power tools only with specifically designated battery packs.** Use of any other battery packs may create a risk of injury and fire.
 - c) **When battery pack is not in use, keep it away from other metal objects, like paper clips, coins, keys, nails, screws or other small metal objects, that can make a connection from one terminal to another.** Shorting the battery terminals together may cause burns or a fire.
 - d) **Under abusive conditions, liquid may be ejected from the battery; avoid contact. If contact accidentally occurs, flush with water. If liquid contacts eyes, additionally seek medical help.** Liquid ejected from the battery may cause irritation or burns.
- 6) Service**
- a) **Have your power tool serviced by a qualified repair person using only identical replacement parts.** This will ensure that the safety of the power tool is maintained.

Special safety instructions.

Safety Warnings common for Grinding, Sanding, Wire Brushing or Abrasive Cutting Off Operations

This power tool is intended to function as a grinder, sander, wire brush or cut-off tool. Read all safety warnings, instructions, illustrations and specifications provided with this power tool. Failure to follow all instructions listed below may result in electric shock, fire and/or serious injury.

Operations such as polishing are not recommended to be performed with this power tool. Operations for which the power tool was not designed may create a hazard and cause personal injury.

Do not use accessories which are not specifically designed and recommended by the tool manufacturer. Just because the accessory can be attached to your power tool, it does not assure safe operation.

The rated speed of the accessory must be at least equal to the maximum speed marked on the power tool. Accessories running faster than their rated speed can break and fly apart.

The outside diameter and the thickness of your accessory must be within the capacity rating of your power tool. Incorrectly sized accessories cannot be adequately guarded or controlled.

Threaded mounting of accessories must match the grinder spindle thread. For accessories mounted by flanges, the arbour hole of the accessory must fit the locating diameter of the flange. Accessories that do not match the mounting hardware of the power tool will run out of balance, vibrate excessively and may cause loss of control.

Do not use a damaged accessory. Before each use inspect the accessory such as abrasive wheels for chips and cracks, backing pad for cracks, tear or excess wear, wire brush for loose or cracked wires. If power tool or accessory is dropped, inspect for damage or install an undamaged accessory. After inspecting and installing an accessory,

position yourself and bystanders away from the plane of the rotating accessory and run the power tool at maximum no-load speed for one minute. Damaged accessories will normally break apart during this testtime.

Wear personal protective equipment. Depending on application, use a face shield, safety goggles or safety glasses. As appropriate, wear dust mask, hearing protectors, gloves and workshop apron capable of stopping small abrasive or work piece fragments. The eye protection must be capable of stopping flying debris generated by various operations. The dust mask or respirator must be capable of filtering particles generated by your operation. Prolonged exposure to high intensity noise may cause hearing loss.

Keep bystanders a safe distance away from work area. Anyone entering the work area must wear personal protective equipment. Fragments of workpiece or of a broken accessory may fly away and cause injury beyond immediate area of operation.

Hold the power tool only by the insulated gripping surfaces when performing operations where the application tool could contact hidden wires. Contact with a “live” wire will also make exposed metal parts of the power tool “live” and shock the operator.

Never lay the power tool down until the accessory has come to a complete stop. The spinning accessory may grab the surface and pull the power tool out of your control.

Do not run the power tool while carrying it at your side. Accidental contact with the spinning accessory could snag your clothing, pulling the accessory into your body.

Regularly clean the power tool’s air vents. The motor’s fan will draw the dust inside the housing and excessive accumulation of powdered metal may cause electrical hazards.

Do not operate the power tool near flammable materials. Sparks could ignite these materials.

Do not use accessories that require liquid coolants. Using water or other liquid coolants may result in electrocution or shock.

Kickback and related warnings

Kickback is a sudden reaction to a pinched or snagged rotating wheel, backing pad, brush or any other accessory. Pinching or snagging causes rapid stalling of the rotating accessory which in turn causes the uncontrolled power tool to be forced in the direction opposite of the accessory's rotation at the point of the binding.

For example, if an abrasive wheel is snagged or pinched by the workpiece, the edge of the wheel that is entering into the pinch point can dig into the surface of the material causing the wheel to climb out or kick out. The wheel may either jump toward or away from the operator, depending on direction of the wheel's movement at the point of pinching. Abrasive wheels may also break under these conditions.

Kickback is the result of power tool misuse and/or incorrect operating procedures or conditions and can be avoided by taking proper precautions as given below.

Maintain a firm grip on the power tool and position your body and arm to allow you to resist kickback forces. Always use auxiliary handle, if provided, for maximum control over kickback or torque reaction during start-up. The operator can control torque reactions or kickback forces, if proper precautions are taken.

Never place your hand near the rotating accessory. Accessory may kickback over your hand.

Do not position your body in the area where power tool will move if kickback occurs. Kickback will propel the tool in direction opposite to the wheel's movement at the point of snagging.

Use special care when working corners, sharp edges, etc. Avoid bouncing and snagging the accessory. Corners, sharp edges or bouncing have a tendency to snag the rotating accessory and cause loss of control or kickback.

Do not attach a saw chain woodcarving blade or toothed saw blade. Such blades create frequent kickback and loss of control over the power tool.

Safety warnings specific for grinding and abrasive cutting-off operations

Use only wheel types that are recommended for your power tool and the specific guard designed for the selected wheel. Wheels for which the power tool was not designed cannot be adequately guarded and are unsafe.

The grinding surface of the centre depressed wheels must be mounted below the plane of the guard lip. An improperly mounted wheel that projects through the plane of the guard lip cannot be adequately protected.

The guard must be securely attached to the power tool and positioned for maximum safety, so the least amount of wheel is exposed towards the operator. The guard helps to protect operator from broken wheel fragments, accidental contact with wheel and sparks that could ignite clothing.

Wheels must be used only for recommended applications. For example: do not grind with the side of the cut-off wheel. Abrasive cut-off wheels are intended for peripheral grinding; side forces applied to these wheels may cause them to shatter.

Always use undamaged wheel flanges that are of correct size and shape for your selected wheel. Proper wheel flanges support the wheel thus reducing the possibility of wheel breakage. Flanges for cut-off wheels may be different from grinding wheel flanges.

Do not use worn down wheels from larger power tools. Wheels intended for larger power tools are not suitable for the higher speed of a smaller tool and may burst.

Additional safety warnings specific for abrasive cutting off operations

Do not "jam" the cut-off wheel or apply excessive pressure. Do not attempt to make an excessive depth of cut. Overstressing the wheel increases the loading and susceptibility to twisting or binding of the wheel in the cut and the possibility of kickback or wheel breakage.

Do not position your body in line with and behind the rotating wheel. When the wheel, at the point of operation, is moving away from your body, the possible kickback may propel the spinning wheel and the power tool directly at you.

When wheel is binding or when interrupting a cut for any reason, switch off the power tool and hold the power tool motionless until the wheel comes to a complete stop. Never attempt to remove the cut-off wheel from the cut while the wheel is in motion otherwise kickback may occur. Investigate and take corrective action to eliminate the cause of wheel binding.

Do not restart the cutting operation in the workpiece. Let the wheel reach full speed and carefully re-enter the cut. The wheel may bind, walk up or kickback if the power tool is restarted in the workpiece.

Support panels or any oversized workpiece to minimize the risk of wheel pinching and kickback. Large workpieces tend to sag under their own weight. Supports must be placed under the workpiece near the line of cut and near the edge of the workpiece on both sides of the wheel.

Use extra caution when making a “pocket cut” into existing walls or other blind areas. The protruding wheel may cut gas or water pipes, electrical wiring or objects that can cause kickback.

Safety warnings specific for sanding operations

Do not use excessively oversized sanding disc paper. Follow manufacturers recommendations, when selecting sanding paper. Larger sanding paper extending beyond the sanding pad presents a laceration hazard and may cause snagging, tearing of the disc, or kickback.

Safety warnings specific for wire brushing operations

Be aware that wire bristles are thrown by the brush even during ordinary operation. Do not overstress the wires by applying excessive load to the brush. The wire bristles can easily penetrate light clothing and/or skin.

If the use of a guard is recommended for wire brushing, do not allow any interference of the wire wheel or brush with the guard. Wire wheel or brush may expand in diameter due to work load and centrifugal forces.

Further safety warnings

Do not use a damaged power tool. Before each use of the power tool, check the housing and other components for damage such as cracks or breakage.

Use elastic spacers/liners when these are provided with the grinding accessory.

Make sure that the application tools are mounted in accordance with the manufacturer's instructions. The mounted application tools must be able to rotate freely. Incorrectly mounted application tools can become loose during operation and be thrown from the machine.

Handle grinding accessories carefully and store them according to the manufacturer's instructions. Damaged grinding accessories can develop cracks and burst during operation.

When using application tools with a threaded insert, take care that the thread in the application tool is long enough to hold the spindle length of the power tool. The thread in the application tool must match the thread on the spindle. Incorrectly mounted application tools can loosen during operation and cause injuries.

Do not direct the power tool against yourself, other persons or animals. Danger of injury from sharp or hot application tools.

Beware of any concealed electric cables, gas or water conduits. Check the working area before commencing work, e. g. with a metal detector.

Use a stationary extraction system and blow out the ventilation slots frequently. When working metal under extreme operating conditions, it is possible for conductive dust to settle in the interior of the power tool. The total insulation of the power tool can be impaired.

Do not rivet or screw any name-plates or signs onto the power tool. If the insulation is damaged, protection against an electric shock will be ineffective.

Always work with the auxiliary handle. The auxiliary handle ensures reliable guiding of the power tool.

Never look or stare into the light of the power tool's lamp from a short distance. Never point the light of the lamp into the eyes of other persons in close vicinity. The radiation produced by the lamp can be harmful for the eye.

After working gypsum-containing materials: Blow out the ventilation openings of the power tool and the switch element with dry and oil-free compressed air. Otherwise, gypsum-containing dust can settle in the power tool housing and switch element, which can harden in connection with humidity. This can impair the switching mechanism.

Use and handling of the battery (battery pack)

These safety warnings apply only for 18V FEIN AMPShare lithium-ion batteries.

Use the battery only in AMPShare partner products. 18V batteries marked with AMPShare are fully compatible with the following products:

- All products of the FEIN-18V-AMPShare system
- All 18V products from AMPShare partners.

When working with and charging incorrect, damaged, repaired or reconditioned batteries, imitations or other brands, there is danger of fire and/or explosion.

Observe the battery recommendations in the operating instructions for your product.

Only in this way can the battery and the product be operated safely, and the batteries are protected from dangerous overload.

Only charge the batteries with chargers recommended by FEIN or one of the AMPShare partners. A charger that is suitable one type of battery pack may create a risk of fire when used with another battery pack.

The battery is supplied partially charged. To ensure full battery capacity, completely charge the battery in the battery charger before using for the first time.

Store batteries out of the reach of children.

Batteries must not be disassembled, opened or reduced in size. Do not subject batteries to mechanical impact or shock. Hazardous vapors and fluid can escape in case of damage and improper use of the battery. The vapors can irritate the respiratory system. Liquid ejected from the battery may cause skin irritations or burns.

In case of skin contact with battery fluid, rinse immediately with plenty of water. In case of eye contact with battery fluid, wash out the eye with clean water and immediately seek a doctor for treatment!

When the battery fluid has come into contact with objects close by, check the respective components. Avoid skin contact by wearing protective gloves. Clean the parts with dry household paper or replace the parts if necessary. Escaping vapors can irritate the respiratory system. Liquid ejected from the battery may cause skin irritations or burns.

Do not short-circuit the battery. Keep the battery not being used away from paper clips, coins, keys, nails, screws or other small metal objects, that can make a connection from one terminal to another. Short-circuiting the battery terminals together may cause burns or a fire.

The battery can be damaged by sharp objects such as nails or screwdrivers or by external force. An internal short-circuit may occur and the battery can burn, smoke, explode or overheat.

Never maintain damaged batteries. Any maintenance of batteries should be performed only by the manufacturer or by authorised after-sales service centers.



Protect the battery against heat, e.g., against continuous intense sunlight,



fire, debris, water, and moisture. Danger of explosion and short-circuiting.

Operate and store the battery only at ambient temperatures between -20 °C and +50 °C. As an example, do not leave the battery in a vehicle in summer. At temperatures < 0 °C, machine-specific performance restrictions are possible.

Charge the battery only at ambient temperatures between 0 °C and +35 °C. Charge the battery via USB connection only at ambient temperatures between +10 °C and +35 °C.

Charging the battery outside the temperature range may damage the battery or increase the risk of fire.

Handle discharged batteries with care. Batteries are a source of danger, as they can cause a very high short-circuit current. Even when Li-ion batteries appear to be in a discharged state, they never fully discharge.

Do not immerse the battery in liquids, such as (salt) water or beverages. Contact with liquids can damage the battery. This may result in heat build-up, smoke generation, ignition or explosion of the battery. Do not continue to use the battery and contact an after-sales service authorized by FEIN.

Do not use a damaged battery. The use of a battery pack must be stopped immediately as soon as abnormal properties, such as odor development, heat, discoloration or deformation occur. Continued operation can cause the battery to generate heat and smoke, ignite or explode.

Do not open, crush, overheat or set fire to the battery. Non-observance of this warning may result in burns and fire. Follow the manufacturer's instructions.

Extinguish burning Li-ion batteries with water, sand or a fire blanket.

Avoid physical blows/impact. Impact and penetration of objects can damage batteries. This may result in leakage, heat build-up, smoke generation, ignition or explosion of the battery.

Never charge the battery unattended overnight. Fire and explosion hazards can result in case of non-observance.

Do not remove the battery from its original packaging until it is going to be used.

Remove the battery only when the power tool is switched off.

Before any work on the machine itself, remove the battery from the power tool. If the power tool accidentally starts, there is danger of injury.

Protect the battery against moisture and water. Clean contaminated battery terminals and power tool connections with a dry, clean cloth.

Remove the battery when transporting and storing the power tool.

Observe the safety instructions in the manuals of the chargers from FEIN or the AMP-Share partners.

Handling hazardous dusts.

⚠ WARNING When working with power tools, such as when grinding, sanding, polishing, sawing or for other work procedures where material is removed, dusts develop that are both hazardous to one's health and can spontaneously combust or be explosive.

Contact with or inhaling some dust types can trigger allergic reactions to the operator or bystanders and/or lead to respiratory infections, cancer, birth defects or other reproductive harm.

Examples of such materials which contain chemicals that can produce hazardous dusts, are:

- Asbestos and materials containing asbestos;
- Lead-containing coatings, some wood types such as beech and oak;
- Minerals and metal;
- Silicate particles from bricks, concrete and other materials containing stone;
- Solvent from solvent-containing paint/varnish;
- Arsenic, chromium and other wood preservatives;
- Materials for pesticide treatment on boat and ship hulls;
- Stainless steel dust, metal dust and non-ferrous metal dust;

To minimize the unwanted intake of these materials:

- Use dust extraction matched appropriately for the developing dust.
- Use personal protective equipment, such as a P2 filter-class dust protection mask.
- Provide for good ventilation of the workplace.

The risk from inhaling dusts depends on how often these materials are worked. Materials containing asbestos may only be worked on by specialists.

⚠ CAUTION Wood and light-metal dust can cause spontaneous combustion or explosions.

Hot mixtures of sanding dust and paint/varnish remainders or other chemical materials in the filter bag or the vac filter can self-ignite under unfavorable conditions, such as sparking from sanding metal, continuous sunlight or high ambient temperatures. To prevent this:

- Avoid overheating the material being sanded and the power tool.
- Empty the dust collector/container in time.
- Observe the material manufacturer's working instructions.
- Observe the relevant regulations in your country for the materials being worked.

Hand/arm vibrations.

⚠ WARNING While working with this power tool, hand/arm vibrations occur. These can lead to health impairments.

⚠ WARNING The vibration emission value during actual use of the power tool can differ from the declared value depending on the ways in which the tool is used.

⚠ WARNING It is necessary to identify safety measures to protect the operator that are based on an estimation of exposure in the actual conditions of use. The vibration emission level given in this information sheet has been measured in accordance with a standardised test given in EN 60745 and may be used to compare one tool with another. It may be used for a preliminary assessment of exposure.

The declared vibration emission level represents the main applications of the tool. However if the tool is used for different applications, with different accessories or poorly maintained, the vibration emission may differ. This may significantly increase the exposure level over the total working period.

An estimation of the level of exposure to vibration should also take into account the times when the tool is switched off or when it is running but not actually doing the job. This may significantly reduce the exposure level over the total working period. Identify additional safety measures to protect the operator from the effects of vibration such as: maintain the tool and the accessories, keep the hands warm, organisation of work patterns.

Emission values for sound and vibration (Two-figure – specifications as per ISO 4871)

Sound emission	CCG18-125-10 AS (**)	CCG18-125-10PD AS (**)
A-weighted emission pressure power level measured at the workplace L_{pA} (re 20 μPa), in decibels	86.2	86.3
Measuring uncertainty K_{pA} , in decibels	3	3
Measured A-weighted sound power level L_{wA} (re 1 pW), in decibels	97.2	97.3
Measuring uncertainty K_{wA} , in decibels	3	3
C-weighted peak sound pressure level measured at the workplace L_{pCpeak} in decibels	99.6	99.5
Measuring uncertainty K_{pCpeak} in decibels	3	3
Vibrations		
Mean vibrational value for angle grinding		
– m/s^2	4.7	4.9
– ft/s^2	15.4	16.1
Mean vibrational value for sanding with sanding sheet		
– m/s^2	1.4	1.5
– ft/s^2	4.6	4.9
Measuring uncertainty K , in		
– m/s^2	1.5	1.5
– ft/s^2	4.9	4.9

REMARK: The sum of the measured emission value and respective measuring inaccuracy represents the upper limit of the values that can occur during measuring.



Wear hearing protection!

Measured values determined in accordance with the corresponding product standard.

Intended use of the power tool:

Hand-guided cordless angle grinder for dry grinding, working with wire brushes and cutting of metal and stone in weather-protected environments with the application tools and accessories recommended by FEIN.








In environments subject to interference, a reduction of the operating quality is possible; this can include temporary failure, temporary reduction of the function or the intended operating behaviour, for the correction of which intervention by the operator is required.

The power tool is not intended for working plastics and for polishing. The operator is solely liable for any damage caused by use not as intended for.

Generally recognized accident prevention regulations and enclosed safety instructions must be observed.

Symbols.

Symbol, character	Explanation
	General prohibition sign. This action is prohibited.
	Do not touch the rotating parts of the power tool.
	Observe the instructions in the text or graphic opposite!
	Make sure to read the enclosed documents such as the Instruction Manual and the General Safety Instructions.
	AMPShare is the shared battery system that allows you to use many tools from many professional brands with just one battery.
	Before commencing this working step, remove the battery from the power tool. Otherwise there may be danger of injury caused by unintentional starting of the power tool.
	Use eye protection during operation.
	Use ear protection during operation.
	Use protective gloves during operation.
	Do not charge damaged batteries.
	Protect the battery against heat, e.g., against continuous intense sunlight, fire, debris, water, and moisture.
	A surface that can be touched may be very hot and thus hazardous.
	Switching on
	Switching off
	Locked
	Not locked
	Confirms the conformity of the power tool with the guidelines of the European Community.
	This symbol confirms the certification of this product for the USA and Canada.
	This sign warns of a directly imminent, dangerous situation. A false reaction can cause a severe or fatal injury.
	This sign indicates a possible dangerous situation that could cause severe or fatal injury.
	This sign warns of a possible dangerous situation that could cause injury.
	Recycling code: identifies recyclable materials

Symbol, character	Explanation
	Worn out power tools and other electrotechnical and electrical products should be sorted separately for environmentally-friendly recycling.
	Battery type
	Charger type
	Product with double or reinforced insulation
	Low speed
	High speed
	Firmly tighten the application tool with a suitable wrench.
(Ax – Zx)	Marking for internal purposes
(**)	may contain numbers and letters
***	Partially in delivery scope

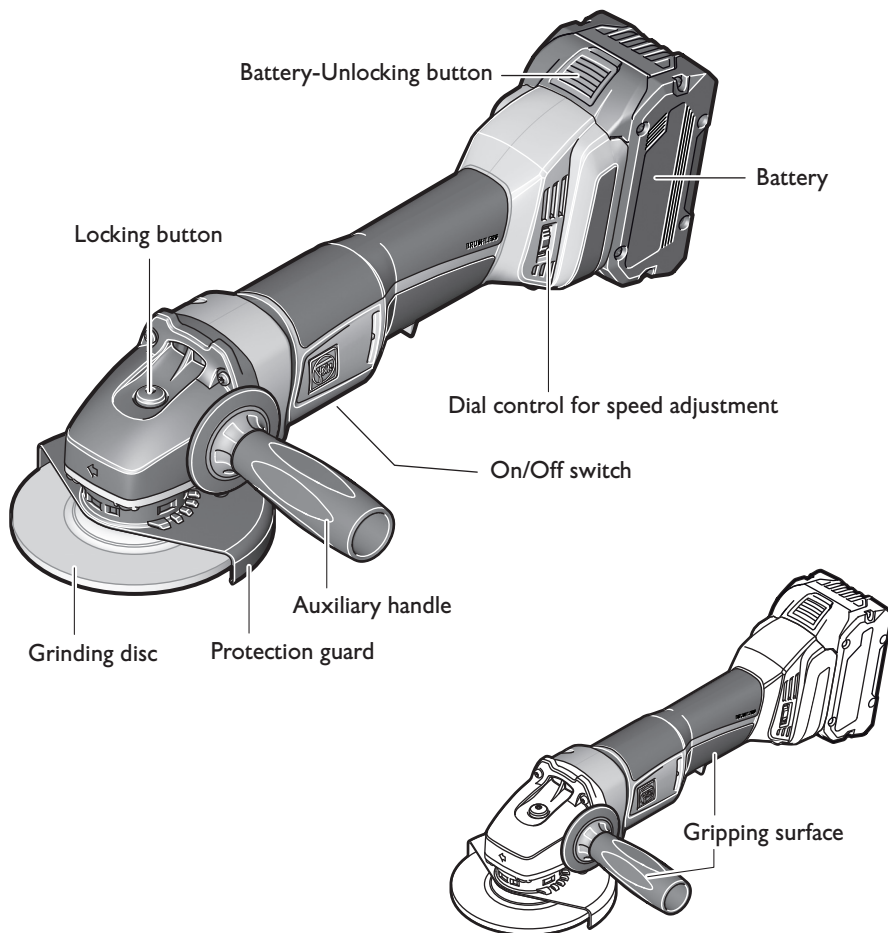
Character	Unit of measurement, international	Explanation
n_0	rpm; /min; min^{-1} ; r/min	Rated speed
P	W	Electrical power
	°	Angle width
U	V	Electric voltage
f	Hz	Frequency
I	A	Electric current intensity
m	kg, lbs	Mass
l	ft, in	Length, width, height, depth, diameter or thread
\varnothing	ft, in	Diameter of a round part
a	m/s^2	Vibrational emission value according to EN 60745 (vector sum of three directions)
	m, s, kg, A, mm, V, W, Hz, N, °C, dB, min, m/s^2	Basic and derived units of measurement from the international system of units SI .

Technical description and specifications.

⚠ WARNING Before mounting or replacing application tools or accessories, remove the battery. This preventive safety measure rules out the danger of injuries through accidental starting of the power tool.

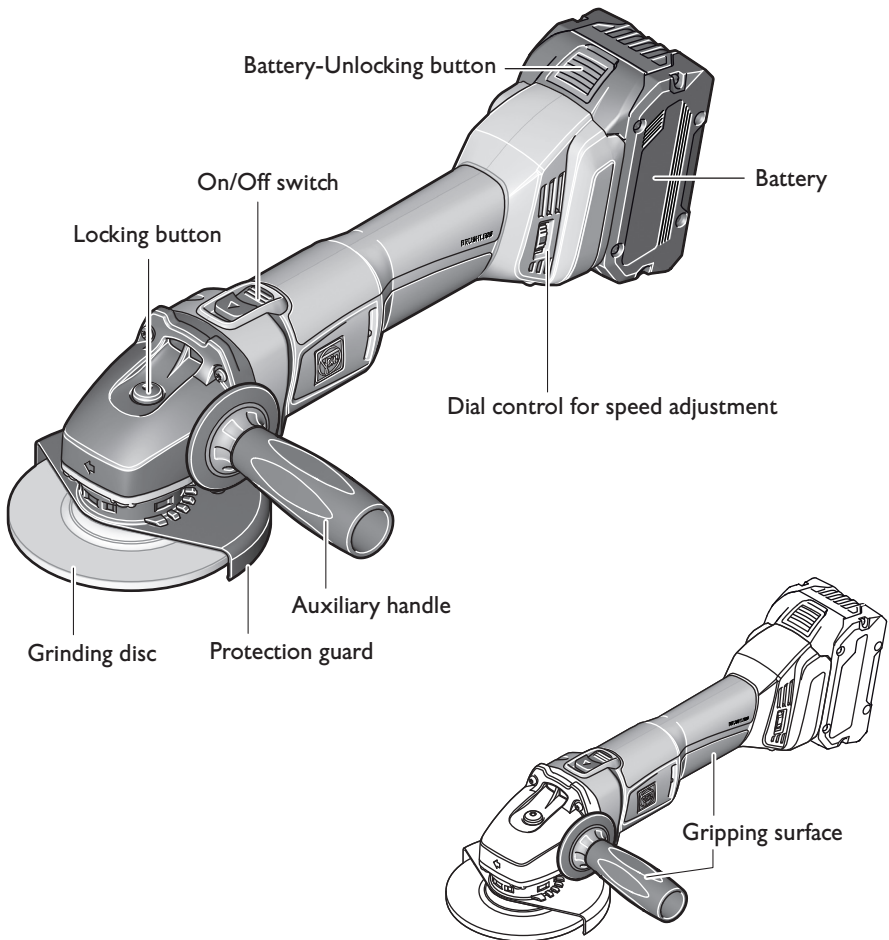
Not all accessories described or shown in this instruction manual will be included with your power tool.

Fig. 1





CCG18-125-10PD AS (**)

Fig. 2



CCG18-125-10 AS (**)

Type	CCG18-125-10 AS (**)	CCG18-125-10PD AS (**)
Order number	7 120 ...	7 120 ...
Rated voltage	18 V ⁻⁻⁻	18 V ⁻⁻⁻
Rated speed	2500 – 8500 rpm	2500 – 8500 rpm
Max. diameter of grinding/cutting disc	5 in 125 mm	5 in 125 mm
Diameter of mounting hole	7/8 in 22.23 mm	7/8 in 22.23 mm
Thickness of grinding/cutting disc	1/16 in – 1/4 in 1 mm – 6 mm	1/16 in – 1/4 in 1 mm – 6 mm
Max. sanding pad diameter	5 in 125 mm	5 in 125 mm
Thread for clamping flange	5/8 in – 11UNC	5/8 in – 11UNC
Length of mounting thread	3/4 in 20 mm	3/4 in 20 mm
Thread for clamping flange for steel tapered twist brush	5/8 in – 11UNC	5/8 in – 11UNC
Max. diameter of steel tapered twist brush	4 1/2 in 115 mm	4 1/2 in 115 mm
Thread for clamping flange for cup brush	5/8 in – 11UNC	5/8 in – 11UNC
Max. cup brush diameter	2 1/2 in 65 mm	2 1/2 in 65 mm
Max. wire length	3/4 in 20 mm	3/4 in 20 mm
Thread for clamping flange for diamond hole cutter	5/8 in – 11UNC	5/8 in – 11UNC
Max. diamond hole cutter diameter	2 2/3 in 68 mm	2 2/3 in 68 mm
Weight according to EPTA-Procedure 01 (power tool without battery and application tool)	4.2 lbs 1.9 kg	4.2 lbs 1.9 kg

Type	CORE 18V 8 Ah GBA18V80	CORE 18V 12 Ah GBA18V120
		
Battery type	Lithium ion	Lithium ion
Rated voltage	18 V ⁻⁻⁻	18 V ⁻⁻⁻
Weight according to EPTA- Procedure 01 (Battery)	2.12 lbs 0.96 kg	2.98 lbs 1.35 kg
Battery charger	BC1880, GAL 18V-160	

Assembly instructions.

⚠ WARNING Before mounting or replacing application tools or accessories, remove the battery. This preventive safety measure rules out the danger of injuries through accidental starting of the power tool.

Removing and charging the battery (figure 3).

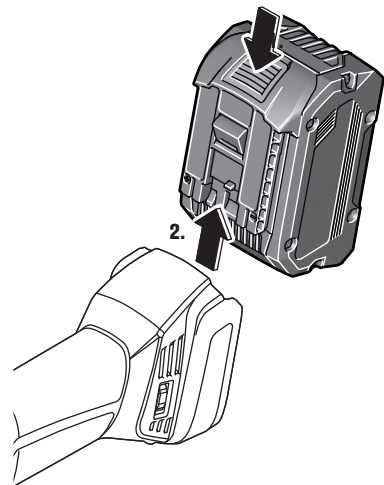
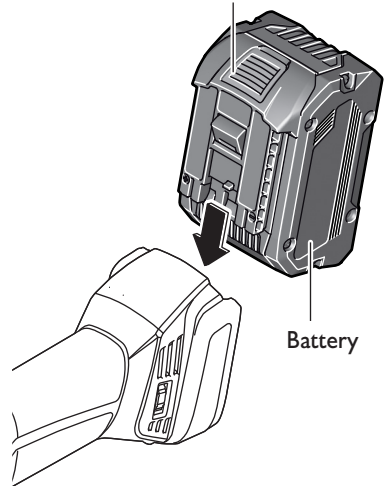
- ❗ Prior to the first charging procedure, read the operating instructions of the battery charger.
- ❗ Charge the battery completely before putting into operation for the first time.

Release the battery by pressing the battery-unlocking button and pull the battery out of the handle. Do not exert any force when doing this.

Connect the battery charger to a socket outlet, slide the battery onto the battery charger and charge the battery. After the charging process is over, insert the battery into the power tool and pull the plug of the battery charger out of the socket outlet.

A new battery does not reach its full capacity until after several charging and discharging procedures.



Fig. 3 Battery-Unlocking button



Handling the battery.

Store, operate and charge the battery only using FEIN battery chargers within the operating-temperature range between 5°C – 45°C (41°F – 113°F). At the beginning of the charging procedure, the battery temperature must be within the battery operating-temperature range.

Battery charge-control indicator (figure 4).

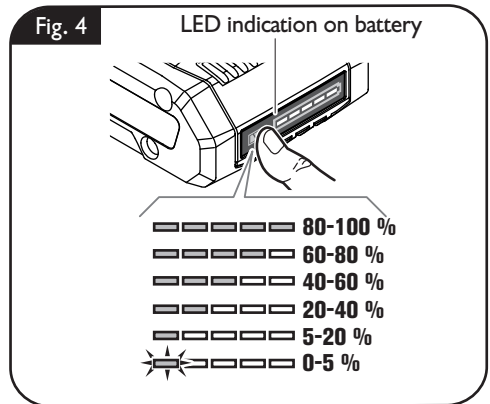
The charge condition can be indicated by the green LEDs of the charge-control indicator on the battery. Press the charge-control indicator button  or  to indicate the charge condition.

LED indicator	Meaning	Activity
1 – 4 green LED	Percentage of charge condition	Operation
Continuous red light	Battery is almost empty	Charge battery
Red flashing light	Battery is not ready for operation	Bring the battery into the battery operating-temperature range, then charge

The real percentage of the battery charge condition is only indicated when the power tool motor is stopped.

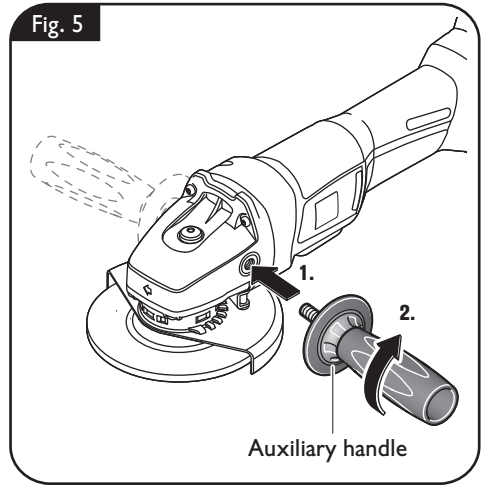
The electronics automatically switch off the motor prior to the battery being deep discharged.

When no LED lights up after pressing the charge-control indicator button, the battery is defective and must be replaced.



Mounting the auxiliary handle (figure 5).

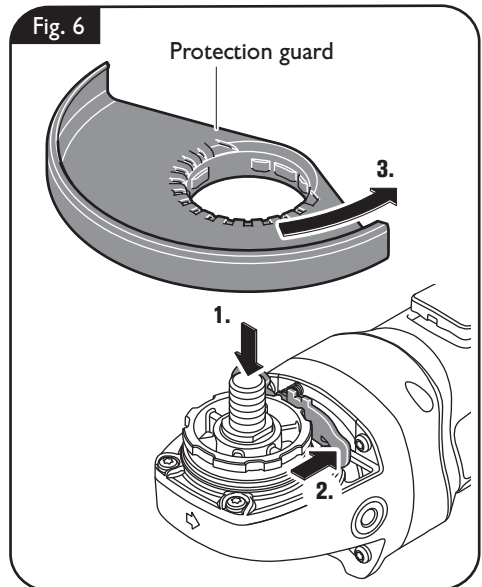
Depending on the working manner, screw the auxiliary handle right or left on the power tool.



Mounting the wheel guard (figure 6).

Insert the wheel guard ensuring that the cams of the opening engage in the grooves on the power tool.

Press the clamping lever and turn the wheel guard to the required working position. Allow the clamping lever to engage.



Changing the tool.

⚠ WARNING Before mounting or replacing application tools or accessories, remove the battery. This preventive safety measure rules out the danger of injuries through accidental starting of the power tool.

Mounting a grinding disc (figure 7).

❗ Press the locking button only when the motor is stopped.

Press the locking button completely through and hold it in place. Loosen the quick-clamping nut.

👉 Unscrew the quick-clamping nut.

⚠ Replace the used-up grinding accessory or insert a new one.

❗ Pay attention that the grinding accessory is properly centered between the support flange and the quick-clamping nut.

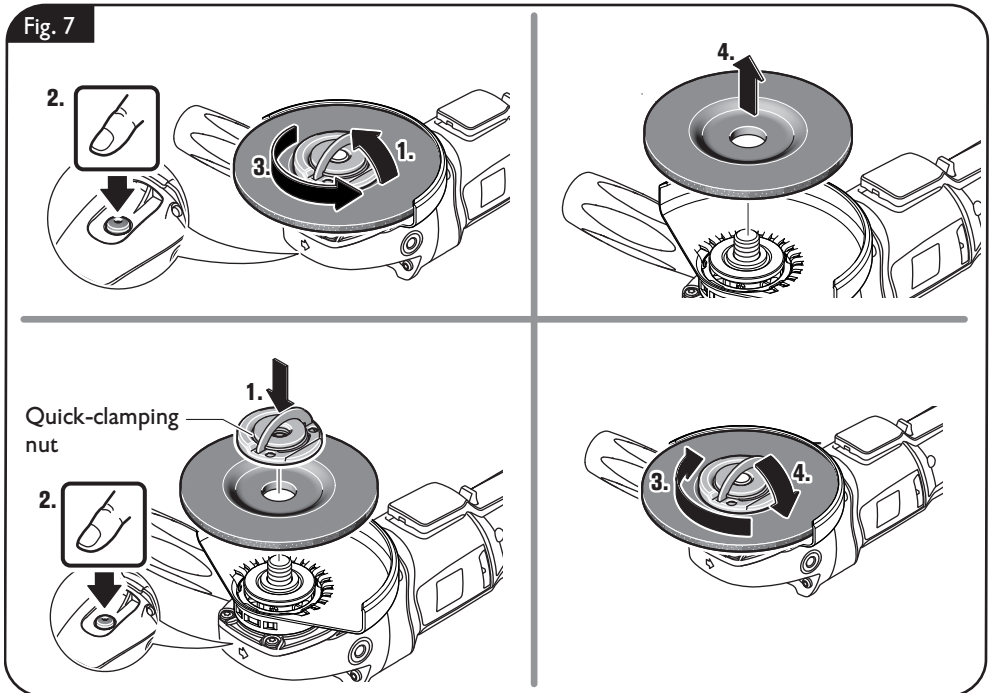
Manually screw on the quick-clamping nut again.

Press the locking button completely through and hold it in place. Tighten the quick-clamping nut.

Note: Observe the mounting direction of the quick-clamping nut. Before each use, tighten the application tool firmly.

Offset grinding discs must be mounted in such a manner that their grinding surface is 2 mm below the bottom edge of the wheel guard. Grinding accessories that do not meet these requirements cannot be adequately covered off and are not permitted.

Fig. 7



Adjustments.

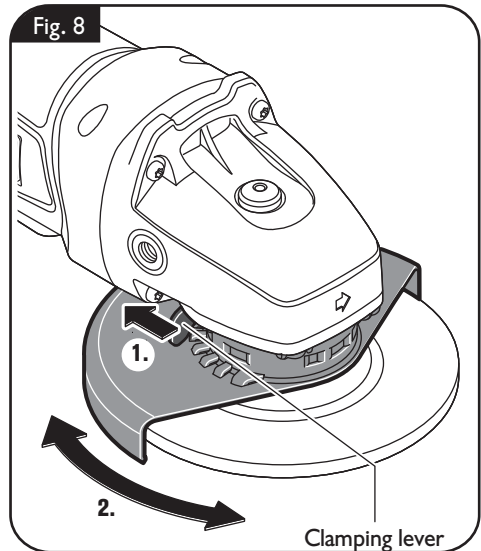
⚠ WARNING Before mounting or replacing application tools or accessories, remove the battery. This preventive safety measure rules out the danger of injuries through accidental starting of the power tool.

Adjusting the wheel guard (figure 8).

Release clamping lever.

Turn the wheel guard to the requested working position, then clamp the wheel guard with the clamping lever.

Allow the clamping lever to engage.

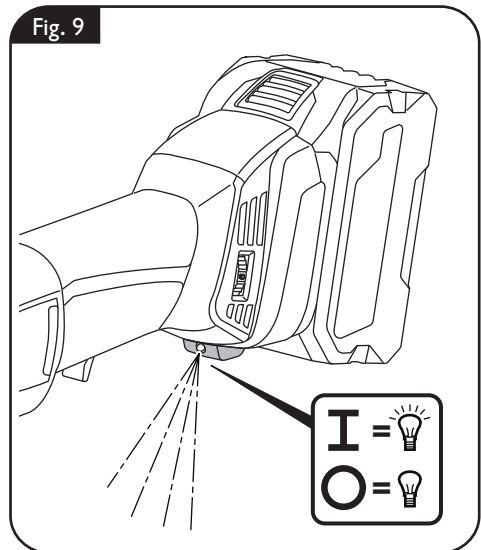


Illumination (figure 9).

⚠ WARNING Never look or stare into the light of the power tool's lamp from a short distance. Never point the light of the lamp into the eyes of other persons in close vicinity. The radiation produced by the lamp can be harmful for the eye.

When pressing the On/Off switch, the light is switched on.

After releasing the On/Off switch, the light briefly stays on and then switches off automatically.



Working instructions.

⚠ WARNING Before mounting or replacing application tools or accessories, remove the battery. This preventive safety measure rules out the danger of injuries through accidental starting of the power tool.

! For each job, use only the FEIN application tool released and intended for the respective application.

Switching on and off.

⚠ CAUTION Always hold the power tool firmly. Otherwise, you could lose control over the power tool.

The **self-start lock** prevents the cordless angle grinder from automatically restarting again after a power interruption, e.g., after changing the battery. In this case, switch the power tool off, remove it from the workpiece and check the application tool. Afterwards, switch the power tool on again.

For best performance, operate the power tool only with FEIN CORE batteries or with CORE batteries of AMPShare partners. When using other batteries, the functionality can be limited.

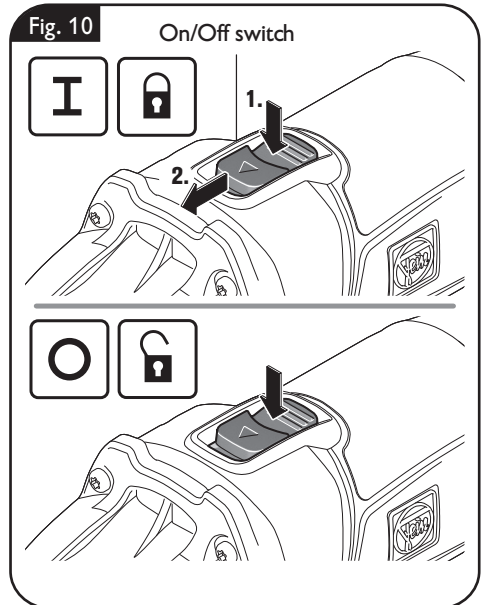
CCG18-125-10 AS (**) (figure 10).

Switching on:

Press and push the On/Off switch forward **(I)**.

Switching off:

Press the switch downward **(O)**.

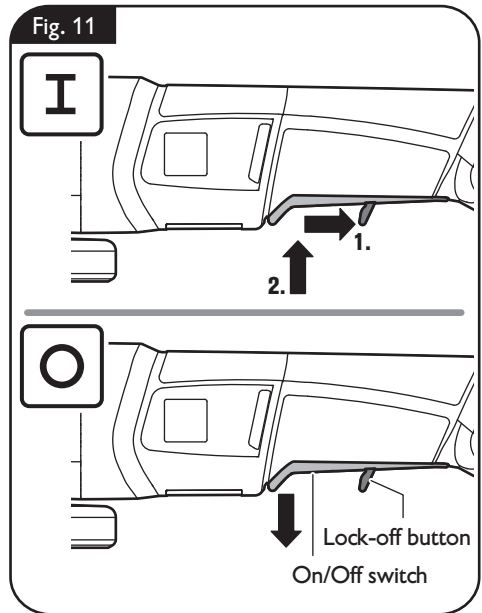


CCG18-125-10PD AS (figure 11).**Switching on:**

Slide the lock-off button toward the front.
Press the On/Off switch.

Switching off:

Release the On/Off switch.

**Additional operating instructions.**

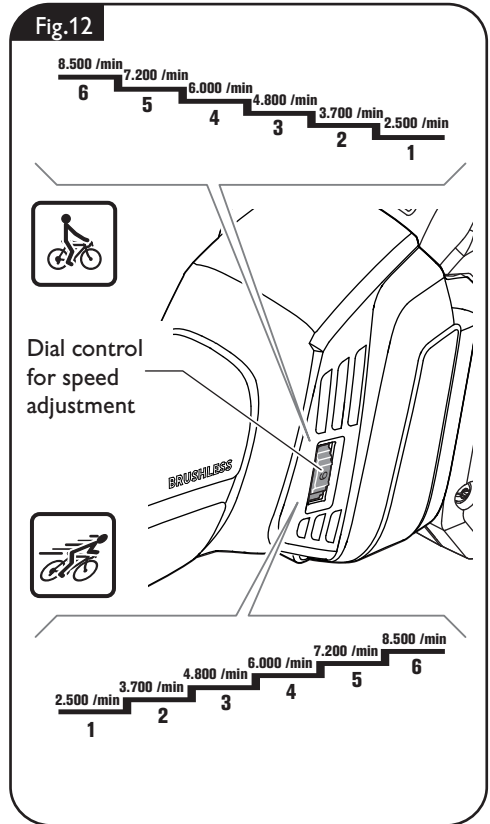
The self-start prevention lock prevents the power tool from automatically starting when the battery is inserted while the on/off switch is set to on.

If the power tool shuts off without the switch being actuated, switch the power tool switch off, remove the battery and reattach it.

Setting the speed (figure 12).

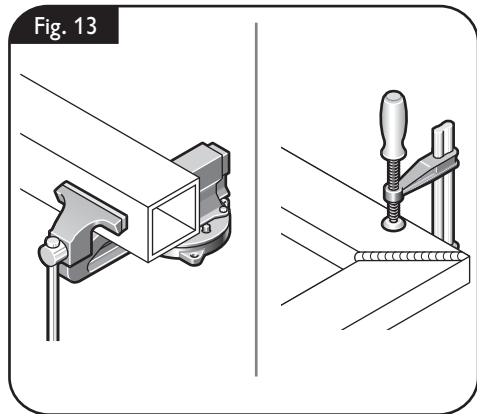
The speed range can be variably adjusted, as shown in the following figure.

Turn the dial control between “1” for the lowest speed and “6” for the highest speed.



Securing the workpiece (figure 13).

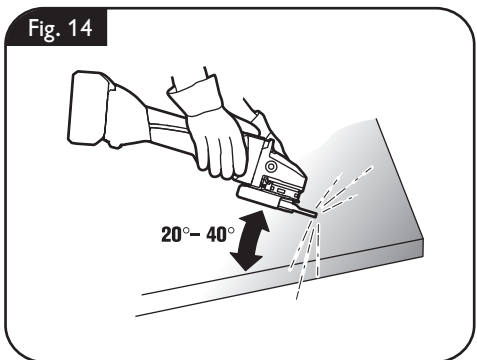
❗ **Secure the workpiece sufficiently.** An inadequately secured workpiece can, for example, cause the grinding accessory to jam. This can lead to kickback, cause the workpiece to fall down, and lead to other dangerous situations.



Dry grinding (figure 14).

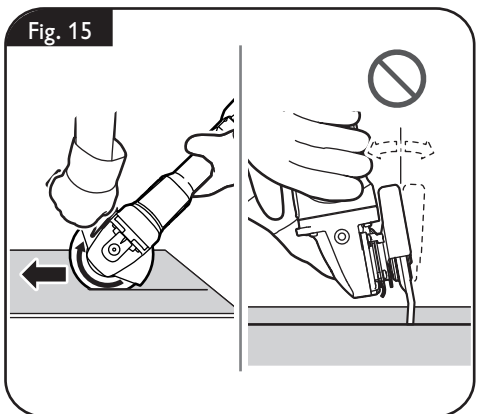
Observe a lead angle of $20 - 40^\circ$. This will ensure a good removal rate.

- 🧑‍🔧 Apply uniform pressure with the power tool and move it over the surface.
- ❗ Avoid excessive heating of the work-piece surface.



Cutting (figure 15).

- 🧑‍🔧 Always work in an up-grinding motion, so that the cutting disc will not jump out of the cut.



Repair and customer service.

⚠ WARNING Before mounting or replacing application tools or accessories, remove the battery. This preventive safety measure rules out the danger of injuries through accidental starting of the power tool.

Exchangeable parts

If required, you can change the following parts yourself:

Application tools, auxiliary handle, quick-clamping nut, wheel guard

When working gypsum-containing materials, dust can settle within the power tool and switch element, which can harden in connection with humidity. This can impair the switching mechanism. Blow out the interior of the power tool via the ventilation slots and the switch element frequently with dry and oil-free compressed air.

Products that have come into contact with asbestos may not be sent in for repair. Dispose of products contaminated with asbestos according to the applicable country-specific regulations for such disposal.

For FEIN power tools and accessories in need of repair, please contact your FEIN after-sales service. The address can be found on the Internet under www.fein.com.

Renew stickers and warning indications on the power tool when aged and worn.

The current spare parts list for this power tool can be found in the Internet at www.fein.com.

Use only original spare parts.

Service.

⚠ WARNING Have maintenance carried out only through qualified personnel. Incorrectly mounted leads and components can cause serious injuries.

Have the required service carried out only through a FEIN customer service agent.

Cleaning.

⚠ WARNING Remove the battery prior to any maintenance and cleaning. This preventive safety measure rules out the danger of injuries through accidental starting of the power tool.

⚠ WARNING When using in environments with conductive dust in the air, such as when working metals, this dust can settle in the interior of the power tool. Therefore, regularly blow out the interior of the power tool from outside via the ventilation openings with dry, oil-free compressed air; always wear eye protection when doing this.

⚠ CAUTION Do not attempt to clean clogged or dirty ventilation openings of the power tool with pointed metal objects; use nonmetal tools or objects if necessary.

⚠ CAUTION Do not use cleaning agents and solvents that can cause damage to plastic parts. These include: Gasoline, carbon-tetrachloride, chloric solvents, ammonia and domestic cleaning agents that contain ammonia.

Occasionally clean the ventilation slots and the battery terminals with a soft, clean and dry brush.

- Do not use chemical substances for cleaning the battery.

Warranty and liability.

The warranty for the product is valid in accordance with the legal regulations in the country where it is marketed. In addition, FEIN also provides a guarantee in accordance with the FEIN manufacturer's warranty declaration.

Not all accessories described or shown in this instruction manual will be included with your power tool.

Environmental protection, disposal.

 **Do not dispose of the batteries into household waste!**

Packaging, worn out power tools and accessories should be sorted for environmental-friendly recycling.

Dispose of batteries only when discharged.

For batteries that are not completely discharged, insulate the terminals with tape as a protective measure against short-circuiting.

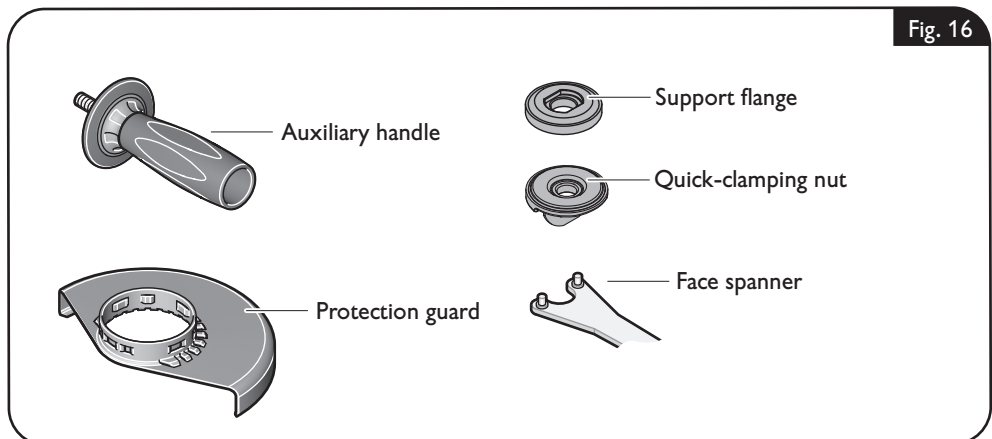
Transport.

The Li-ion batteries are subject to the Dangerous Goods Legislation requirements. The user can transport the batteries by road without further requirements.

When being transported by third parties (e.g.: air transport or forwarding agency), special requirements on packaging and labelling must be observed. For preparation of the item being shipped, consulting an expert for hazardous material is required.

Dispatch batteries only when the housing is undamaged. Tape or mask off open contacts and pack up the battery in such a manner that it cannot move around in the packaging. Please also observe possibly more detailed national regulations.

Provided accessories (figure 16).



Selection of accessories (figures 17–18).

Use only original FEIN accessories. The accessories must be intended for the power tool type.

- A-1** Wheel guard for cutting, type A
- B-1** Wheel guard for grinding, type B
- B-2** Wheel guard for grinding, type B (hubbed wheel)
- B-3** Safety cover for cutting
- 1-1** Grinding disc, type 27
- 1-2** Screwable disc (hubbed wheel)
(use only with mounted wheel guard, use a fitting open-end wrench)
- 2-1** Cutting disc
(use only with mounted safety cover)
- 3-1** Flap disc
- 3-2** Backing pad for fiber sanding sheets, fiber sanding sheets
(mount only with the provided backing-pad clamping unit)
- 3-3** Backing pad with Velcro, Velcro sanding sheets, sanding fleece with Velcro attachment,
sponges (use a fitting open-end wrench)
- 4-1** Steel tapered twist brush
- 4-2** Steel-wire cup brush, flap discs
(use a fitting open-end wrench)
- 5-1** Diamond hole cutter
(use a fitting open-end wrench)

Fig. 17

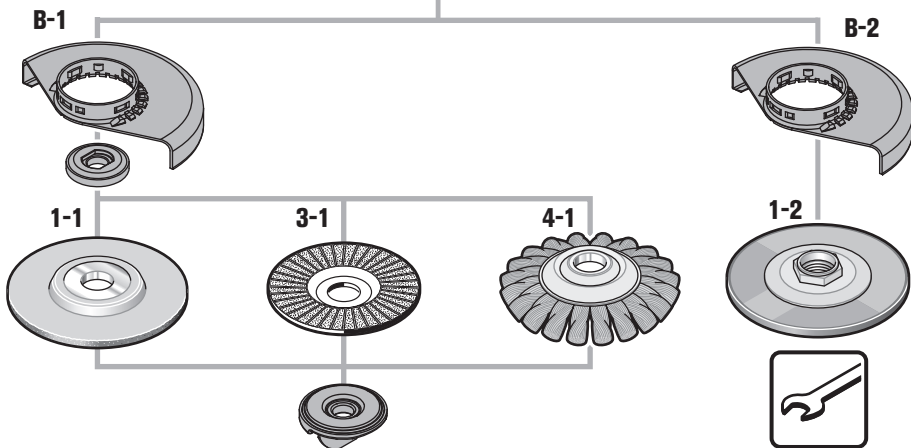
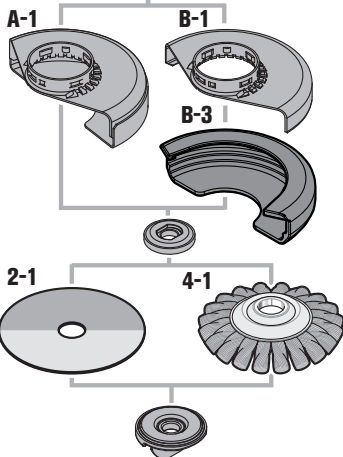
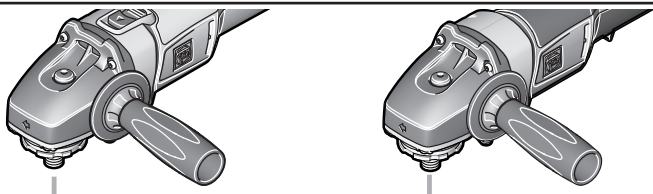
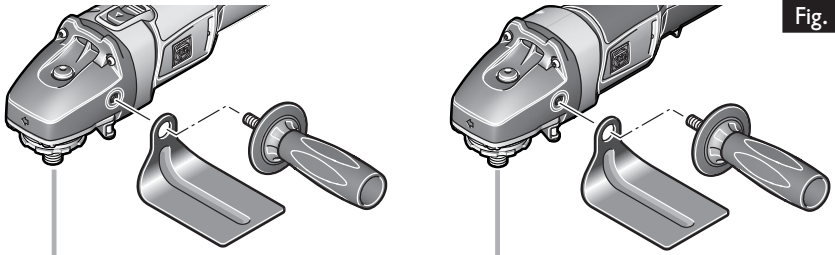
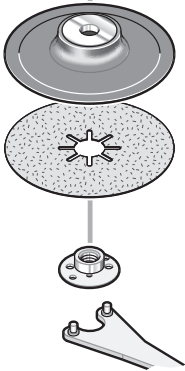


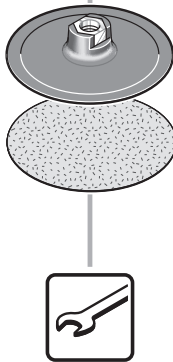
Fig. 18



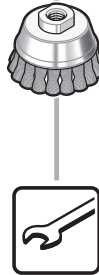
3-2



3-3



4-2



5-1




Pour votre sécurité.

AVERTISSEMENT Lire tous les avertissements de sécurité et

toutes les instructions. Ne pas suivre les avertissements et instructions peut donner lieu à une électrocution, un incendie et/ou une blessure sérieuse.

Conservez tous les avertissements et toutes les instructions pour pouvoir vous y reporter ultérieurement.

 Ne pas utiliser cet outil électrique avant d'avoir soigneusement lu et parfaitement compris cette notice d'utilisation y compris les figures, les spécifications, les consignes de sécurité ainsi que les indications marquées par DANGER, AVERTISSEMENT et ATTENTION.

N'utiliser cet outil électrique que pour les travaux pour lesquels il a été conçu par FEIN. N'utiliser que des outils de travail et accessoires autorisés par FEIN.

De même, respecter les dispositions concernant la prévention des accidents du travail en vigueur dans le pays en question.

Le non-respect des instructions de sécurité se trouvant dans la documentation mentionnée peut entraîner un choc électrique, un incendie et / ou de graves blessures.

Bien garder cette notice d'utilisation en vue d'une utilisation ultérieure ; elle doit être jointe à l'appareil en cas de transmission ou de vente à une tierce personne.

GARDER SOIGNEUSEMENT CES INSTRUCTIONS DE SECURITE.

Le terme « outil électrique » dans les consignes de sécurité fait référence à votre outil électrique alimenté par le secteur (avec cordon d'alimentation) ou votre outil fonctionnant sur batterie (sans cordon d'alimentation).

Instructions générales de sécurité.

1) Zone de travail

a) **Maintenir la zone de travail propre et bien éclairée.** Les zones en désordre ou sombres sont propices aux accidents.

b) **Ne pas faire fonctionner les outils électrique en atmosphère explosive, par exemple en présence de liquides inflammables, de gaz ou de poussières.** Les outils électriques produisent des étincelles qui peuvent enflammer les poussières ou les fumées.

c) **Maintenir les enfants et les personnes présentes à l'écart pendant l'utilisation de l'outil.** Les distractions peuvent vous faire perdre le contrôle de l'outil.

2) Sécurité électrique

a) **Il faut que les fiches de l'outil électrique soient adaptées au socle. Ne jamais modifier la fiche de quelque façon que ce soit. Ne pas utiliser d'adaptateurs avec des outils à branchement de terre.** Des fiches non modifiées et des socles adaptés réduiront le risque de choc électrique.

b) **Éviter tout contact du corps avec des surfaces reliées à la terre telles que tuyaux, radiateurs, cuisinières et réfrigérateurs.** Il existe un risque accru de choc électrique si votre corps est relié à la terre.

c) **Ne pas exposer les outils à la pluie ou à des conditions humides.** La pénétration d'eau à l'intérieur d'un outil augmentera le risque de choc électrique.

d) **Veiller à ne pas endommager le cordon. Ne jamais utiliser le cordon pour porter, tirer ou débrancher l'outil. Maintenir le cordon à l'écart de toute source de chaleur, de lubrifiant, d'arêtes ou de parties en mouvement.** Des cordons endommagés ou emmêlés augmentent le risque de choc électrique.

e) **Lors qu'on utilise un outil à l'extérieur, utiliser un prolongateur adapté à l'utilisation extérieure.** L'utilisation d'un cordon adapté à un usage à l'extérieur réduit le risque de choc électrique.

f) Si l'usage d'un outil dans un emplacement humide est inévitable, utiliser une alimentation protégée par un dispositif à courant différentiel résiduel (RCD). L'usage d'un RCD réduit le risque de choc électrique.

3) Sécurité des personnes

a) Rester vigilant, regarder ce que vous êtes en train de faire. Faire preuve de bon sens lors de l'utilisation de l'outil. Ne pas utiliser un outil en état de fatigue ou sous l'emprise de drogues, d'alcool ou de médicaments. Un moment d'inattention en cours d'utilisation d'un outil peut entraîner des graves blessures.

b) Utiliser un équipement de sécurité. Toujours porter une protection pour les yeux. Les équipements de sécurité tels que les masques contre les poussières, les chaussures de sécurité antidérapantes, les casques ou les protections acoustiques utilisés pour les conditions appropriées réduiront les blessures de personnes.

c) Éviter tout démarrage intempestif. S'assurer que l'interrupteur est en position arrêt avant de retirer la fiche de la prise de courant. Porter les outils en ayant le doigt sur l'interrupteur ou brancher des outils dont l'interrupteur est en position marche, est source d'accidents.

d) Retirer toute clé de réglage avant de mettre l'outil en marche. Une clé laissée fixée sur une partie tournante de l'outil peut donner lieu à des blessures de personnes.

e) Ne pas se précipiter. Garder une position et un équilibre adaptés à tout moment. Cela permet un meilleur contrôle de l'outil dans des situations inattendues.

f) S'habiller de manière adaptée. Ne pas porter de vêtements amples ou de bijoux. Garder les cheveux, les vêtements et les gants à distance des parties en mouvement. Des vêtements amples, des bijoux ou les cheveux longs peuvent être pris dans des parties en mouvement.

g) Si des dispositifs sont fournis pour le raccordement d'équipements pour l'extraction et la récupération des poussières, s'assurer qu'ils sont connectés et correctement utilisés. Utiliser des collecteurs de poussière peut réduire les risques dus aux poussières.

4) Utilisation et entretien de l'outil

a) Ne pas forcer l'outil. Utiliser l'outil adapté à votre application. L'outil adapté réalisera mieux le travail et de manière plus sûre au régime pour lequel il a été construit.

b) Ne pas utiliser l'outil si l'interrupteur ne permet pas de passer de l'état de marche à l'état d'arrêt et vice versa. Tout outil qui ne peut pas être commandé par l'interrupteur est dangereux et il faut le réparer.

c) Débrancher la fiche de la source d'alimentation en courant et/ou le bloc de batteries de l'outil avant tout réglage, changement d'accessoires ou avant de ranger l'outil. De telles mesures de sécurité préventives réduisent le risque de démarrage accidentel de l'outil.

d) Conserver les outils à l'arrêt hors de la portée des enfants. Ne pas permettre à des personnes ne connaissant pas l'outil ou les présentes instructions de le faire fonctionner. Les outils sont dangereux entre les mains d'utilisateurs novices.

e) Observer la maintenance de l'outil. S'assurer qu'il n'y a pas de mauvais alignement ou de blocage des parties mobiles, des pièces cassées ou toute autre condition pouvant affecter le fonctionnement de l'outil. En cas de dommages, faire réparer l'outil avant de l'utiliser. De nombreux accidents sont dus à des outils mal entretenus.

f) Garder affûtés et propres les outils permettant de couper. Des outils destinés à couper correctement entretenus avec des pièces coupantes tranchantes sont moins susceptibles de bloquer et sont plus faciles à contrôler.

- g) **Utiliser l'outil, les accessoires et les lames etc., conformément à ces instructions et aux prescriptions en vigueur pour ce type d'appareil. Tenir compte également des conditions de travail et du travail à réaliser.** L'utilisation de l'outil pour des opérations différentes de celles prévues pourrait donner lieu à des situations dangereuses.
- 5) **Utilisation des outils fonctionnant sur batteries et précautions d'emploi**
- a) **Ne recharger qu'avec le chargeur spécifié par le fabricant.** Un chargeur qui est adapté à un type de bloc de batteries peut créer un risque de feu lorsqu'il est utilisé avec un autre type de bloc de batteries.
- b) **N'utiliser les outils qu'avec des blocs de batteries spécifiquement désignés.** L'utilisation de tout autre bloc de batteries peut créer un risque de blessure et de feu.
- c) **Lorsqu'un bloc de batteries n'est pas utilisé, le stocker à l'écart de tout autre objet métallique, par exemple trombones, pièces de monnaie, clés, clous, vis ou autres objets de petite taille qui peuvent donner lieu à une connexion d'une borne à une autre.** Le court-circuitage des bornes d'une batterie entre elles peut causer des brûlures ou un feu.
- d) **Dans de mauvaises conditions, du liquide peut être éjecté de la batterie. Éviter tout contact. En cas de contact accidentel, nettoyer à l'eau. Si le liquide entre en contact avec les yeux, rechercher en plus une aide médicale.** Le liquide éjecté des batteries peut causer des irritations ou des brûlures.
- 6) **Maintenance et entretien**
- a) **Faire entretenir l'outil par un réparateur qualifié utilisant uniquement des pièces de rechange identiques.** Cela assurera que la sécurité de l'outil soit maintenue.

Instructions particulières de sécurité.

Avvertissements de sécurité communs pour les opérations de meulage, de ponçage, de brossage métallique, ou de tronçonnage par meule abrasive

Cet outil électrique est destiné à fonctionner comme meuleuse, ponceuse, brosse métallique ou outil à tronçonner. Lire toutes les mises en garde de sécurité, les instructions, les illustrations et les spécifications fournies avec cet outil électrique. Le fait de ne pas suivre toutes les instructions données ci-dessous peut provoquer un choc électrique, un incendie et/ou une blessure grave.

Les opérations de lustrage ne sont pas recommandées avec cet outil électrique. Les opérations pour lesquelles l'outil électrique n'a pas été conçu peuvent provoquer un danger et causer un accident corporel.

Ne pas utiliser d'accessoires non conçus spécifiquement et recommandés par le fabricant d'outils. Le simple fait que l'accessoire puisse être fixé à votre outil électrique ne garantit pas un fonctionnement en toute sécurité.

La vitesse assignée de l'accessoire doit être au moins égale à la vitesse maximale indiquée sur l'outil électrique. Les accessoires fonctionnant plus vite que leur vitesse assignée peuvent se rompre et voler en éclat.

Le diamètre extérieur et l'épaisseur de votre accessoire doivent se situer dans le cadre des caractéristiques de capacité de votre outil électrique. Les accessoires dimensionnés de façon incorrecte ne peuvent pas être protégés ou commandés de manière appropriée.

Les accessoires avec insert de filetage doivent être montés avec précision sur le filetage de la broche d'entraînement. Le diamètre du trou de l'accessoire montés à l'aide d'une bride doit correspondre au dia-

mètre de la bride. Les accessoires montés de manière imprécise sur l'outil électrique ne tournant pas uniformément, génèrent de fortes vibrations et peuvent entraîner une perte de contrôle.

Ne pas utiliser d'accessoire endommagé. Avant chaque utilisation examiner les accessoires comme les meules abrasives pour détecter la présence éventuelle d'éclats et fissures, les plateaux de ponçage pour détecter des traces éventuelles de fissures, de déchirure ou d'usure excessive, ainsi que les brosses métalliques pour détecter des fils lâches ou fissurés. Si l'outil électrique ou l'accessoire a subi une chute, examiner les dommages éventuels ou installer un accessoire non endommagé. Après examen et installation d'un accessoire, placez-vous ainsi que les personnes présentes à distance du plan de l'accessoire rotatif et faites marcher l'outil électrique à vitesse maximale à vide pendant 1 min. Les accessoires endommagés seront normalement détruits pendant cette période d'essai.

Porter un équipement de protection individuelle. En fonction de l'application, utiliser un écran facial, des lunettes de sécurité ou des verres de sécurité. Le cas échéant, utiliser un masque anti-poussières, des protections auditives, des gants et un tablier pouvant vous protéger des projections de fragments abrasifs ou des pièces à travailler. La protection oculaire doit être capable d'arrêter les débris volants produits par les diverses opérations. Le masque anti-poussières ou le masque respiratoire doit pouvoir filtrer les particules générées lors de l'utilisation de l'appareil. L'exposition prolongée aux bruits de forte intensité peut provoquer une perte de l'audition.

Maintenir les personnes présentes à une distance de sécurité par rapport à la zone de travail. Toute personne entrant dans la zone de travail doit porter un équipement de protection individuelle. Des fragments de la pièce à travailler ou d'un accessoire cassé peuvent être projetés en dehors de la zone immédiate d'opération et provoquer des blessures.

Tenir l'outil électrique uniquement par les surfaces isolées des poignées lors des travaux pendant lesquels l'outil de travail risque de toucher des câbles électriques cachés.

Le contact avec un fil sous tension peut également mettre sous tension les parties métalliques exposées de l'outil et provoquer un choc électrique sur l'opérateur.

Ne jamais reposer l'outil électrique avant que l'accessoire n'ait atteint un arrêt complet. L'accessoire de rotation peut agripper la surface et arracher l'outil électrique hors de votre contrôle.

Ne pas faire fonctionner l'outil électrique en le portant le long du corps. Un contact accidentel avec l'accessoire en rotation pourrait s'accrocher aux vêtements et attirer l'accessoire vers l'utilisateur.

Nettoyer régulièrement les orifices d'aération de l'outil électrique. Le ventilateur du moteur attire la poussière à l'intérieur du boîtier et une accumulation excessive de poussières métalliques peut provoquer des dangers électriques.

Ne pas faire fonctionner l'outil électrique à proximité de matériaux inflammables. Des étincelles pourraient enflammer ces matériaux.

Ne pas utiliser d'accessoires qui nécessitent des fluides de coupe. L'utilisation d'eau ou d'autres réfrigérants fluides peut aboutir à une électrocution ou un choc électrique.

Rebonds et mises en garde correspondantes

Le rebond est une réaction soudaine au pincement ou à l'accrochage d'une meule rotative, d'un patin d'appui, d'une brosse ou de tout autre accessoire. Un accrochage ou un blocage provoquent un arrêt brusque de l'accessoire en rotation qui, à son tour, contraint l'outil électrique hors de contrôle dans le sens opposé de rotation de l'accessoire au point du grippage.

Par exemple, si une meule abrasive est accrochée ou bloquée par la pièce à usiner, le bord de la meule qui entre dans le point de grippage peut creuser la surface du matériau, provoquant des sauts ou l'expulsion de la meule. La meule peut sauter en direction de l'opérateur ou encore en s'en éloignant, selon le sens du mouvement de la meule au

point d'accrochage. Les meules abrasives peuvent également se rompre dans ces conditions.

Le rebond résulte d'un mauvais usage de l'outil et/ou de procédures ou de conditions de fonctionnement incorrectes et peut être évité en prenant les précautions appropriées spécifiées ci-dessous.

Maintenir solidement l'outil et positionner le corps et le bras de manière à pouvoir résister aux forces de rebond. Toujours utiliser la poignée auxiliaire, le cas échéant, pour contrôler au maximum les rebonds ou les réactions de couple au moment du démarrage. L'opérateur est en mesure de contrôler les réactions de couple ou les forces de rebond, si des précautions appropriées ont été prises.

Ne jamais placer votre main à proximité de l'accessoire en rotation. L'accessoire pourra rebondir sur votre main.

Ne pas vous placer dans la zone où l'outil électrique pourrait se déplacer en cas de rebond. Le rebond pousse l'outil dans le sens opposé au mouvement de la meule au point d'accrochage.

Être particulièrement prudent lors d'opérations sur des coins, des arêtes vives etc. Éviter que l'accessoire ne rebondisse et ne s'accroche. Les angles, les arêtes vives ont tendance à accrocher l'accessoire en rotation et à provoquer une perte de contrôle ou un rebond.

Ne pas fixer de chaîne coupante ni de lame de scie dentée. De telles lames provoquent des rebonds fréquents et des pertes de contrôle.

Mises en garde de sécurité spécifiques aux opérations de meulage et de tronçonnage abrasif

Utiliser uniquement des types de meules recommandés pour votre outil électrique et le protecteur spécifique conçu pour la meule choisie. Les meules pour lesquelles l'outil électrique n'a pas été conçu ne peuvent pas être protégées de façon satisfaisante et sont dangereuses.

La surface de meulage des meules à moyeu déporté doit être montée sous le rebord du capot de protection. Une meule montée de manière incorrecte qui dépasse du rebord du capot de protection ne peut pas être protégée de manière appropriée.

Le capot de protection doit être solidement fixé à l'outil électrique et placé en vue d'une sécurité maximale, de sorte que l'opérateur soit exposé le moins possible à la meule. Le capot de protection permet de protéger l'opérateur des fragments de meule cassée, d'un contact accidentel avec la meule et d'étincelles susceptibles d'enflammer les vêtements.

Les meules doivent être utilisées uniquement pour les applications recommandées. Par exemple : ne pas meuler avec le côté de la meule à tronçonner. Les meules à tronçonner abrasives sont destinées au meulage périphérique, l'application de forces latérales à ces meules peut les briser en éclats.

Toujours utiliser des flasques de meule non endommagés qui sont de taille et de forme correctes pour la meule que vous avez choisie. Des flasques de meule appropriés supportent la meule réduisant ainsi la possibilité de rupture de cette dernière. Les flasques pour les meules à tronçonner peuvent être différents des autres flasques de meule.

Ne pas utiliser de meules usées d'outils électriques plus grands. La meule destinée à un outil électrique plus grand n'est pas appropriée pour la vitesse plus élevée d'un outil plus petit et elle peut éclater.

Instructions de sécurité complémentaires spécifiques aux opérations de tronçonnage abrasif

Ne pas « coincer » la meule à tronçonner ou ne pas appliquer une pression excessive. Ne pas tenter d'exécuter une profondeur de coupe excessive. Une contrainte excessive de la meule augmente la charge et la probabilité de torsion ou de blocage de la meule dans la coupe et la possibilité de rebond ou de rupture de la meule.

Ne pas vous placer dans l'alignement de la meule en rotation ni derrière celle-ci. En cas de rebond de l'outil avec la meule en rotation, ce dernier pourrait être directement projetés sur vous.

Lorsque la meule se bloque ou lorsque la coupe est interrompue pour une raison quelconque, mettre l'outil électrique hors tension et tenir l'outil électrique immobile jusqu'à ce que la meule soit à l'arrêt complet. Ne jamais tenter d'enlever la meule à trancher de la coupe tant que la meule est en mouvement sinon le rebond risque de se produire. Rechercher et prendre des mesures correctives afin d'empêcher que la meule ne se grippe.

Ne pas redémarrer l'outil électrique lorsqu'il est engagé dans la pièce à travailler. Laisser la meule atteindre sa pleine vitesse et la replacer avec précaution dans la coupe. La meule peut se coincer, se rapprocher ou provoquer un rebond si l'outil est redémarré lorsqu'elle se trouve dans la pièce à travailler.

Prévoir un support lors de la coupe de plaques ou de pièces de grandes tailles pour réduire le risque de pincement et de rebond de la meule. Les grandes pièces à travailler ont tendance à fléchir sous leur propre poids. Les supports doivent être placés sous la pièce à travailler près de la ligne de coupe et près du bord de la pièce des deux côtés de la meule.

Soyez particulièrement prudent lorsque vous faites une « coupe en immersion » dans des parois existantes ou dans d'autres zones sans visibilité. Le disque à trancher peut couper des tuyaux de gaz ou d'eau, des câblages électriques ou des objets, ce qui peut entraîner des rebonds.

Instructions de sécurité spécifiques aux opérations de ponçage

Ne pas utiliser de papier abrasif trop surdimensionné pour les plateaux de ponçage. Suivre les recommandations des fabricants, lors du choix du papier abrasif. Un papier abrasif plus grand s'étendant au-delà du plateau de ponçage présente un danger de lacération et peut provoquer un accrochage, une déchirure du disque ou un rebond.

Instructions de sécurité spécifiques aux opérations de brossage métallique

Garder à l'esprit que des brins métalliques sont rejetés par la brosse même au cours d'une opération ordinaire. Ne pas soumettre à une trop grande contrainte les fils métalliques en appliquant une charge excessive à la brosse. Les brins métalliques peuvent aisément pénétrer dans les vêtements légers et/ou la peau.

Si l'utilisation d'un capot de protection est recommandée pour le brossage, ne permettre aucune gêne de la brosse boisseau ou de la brosse métallique au capot de protection. La brosse boisseau ou la brosse métallique peuvent se dilater en raison de la pression de travail et des forces centrifuges.

Avertissements de sécurité supplémentaires

Ne pas utiliser un outil électrique endommagé. Avant chaque utilisation de l'outil électrique, vérifier que le boîtier et les autres composants ne sont pas endommagés (fissures ou cassures).

Utiliser les entretoises si celles-ci sont fournies avec la meule.

S'assurer que les accessoires sont montés conformément aux indications du fabricant. Une fois les accessoires montés, ils doivent pouvoir tourner librement. Les accessoires mal montés peuvent se détacher pendant le travail et être éjectés hors de l'appareil.

Manier avec précaution les meules et rangez-les conformément aux instructions du fabricant. Les meules endommagées peuvent avoir des fissures et se fendre lors du travail.

Lors de l'utilisation d'accessoires avec insert fileté, veiller à ce que le filetage dans l'accessoire soit suffisamment long pour pouvoir intégrer la longueur de la broche de l'outil électrique. Le filetage de l'accessoire doit correspondre à celui de la broche de l'outil électrique. Les accessoires mal montés peuvent se détacher lors du travail et causer des blessures.

Ne pas diriger l'outil électrique vers soi-même ou vers d'autres personnes ou des animaux. Il y a un danger de blessure causé par des outils de travail tranchants ou chauds.

Faire attention aux câbles électriques, conduites de gaz et d'eau éventuellement cachés. Avant de commencer le travail, contrôler la zone de travail à l'aide d'un détecteur de métaux par exemple.

Utiliser un dispositif d'aspiration stationnaire et souffler souvent les ouïes de ventilation. En cas de conditions d'utilisation extrêmes, il est possible, lorsqu'on travaille des matériaux métalliques, que des poussières conductrices se déposent à l'intérieur de l'outil électrique. Cela peut nuire à la double isolation de l'outil électrique.

Il est interdit de visser ou de riveter des plaques ou des repères sur l'outil électrique. Une isolation endommagée ne présente aucune protection contre une électrocution.

Toujours travailler avec la poignée supplémentaire. La poignée supplémentaire garantit un guidage sûr de l'outil électrique.

Ne regardez jamais de très près directement dans la lumière de la lampe de l'outil électrique. Ne dirigez pas la lumière de la lampe vers les yeux d'autres personnes se trouvant à proximité. Les rayons générés par la lampe peuvent être dangereux pour les yeux.

Après avoir travaillé des matériaux à base de plâtre : Nettoyer les orifices de ventilation de l'outil électrique et de l'élément de commande à l'aide d'air comprimé sec exempt d'huile. Autrement, les poussières plâtreuses pourraient se déposer dans le carter de l'outil électrique et sur l'élément de commande et pourraient durcir au contact de l'humidité présente dans l'air. Ceci peut entraver le mécanisme d'enclenchement.

Utilisation et entretien de la batterie (blocs de batterie)

Les présentes consignes de sécurité ne sont valables que pour les batteries 18V-FEIN-Li-Ionen-AMPSHare.

N'utiliser la batterie que dans les produits des partenaires AMPSHare. Les batteries 18V marquées AMPSHare sont entièrement compatibles avec les produits suivants :

- tous les produits du système FEIN-18V-AMPSHare
- tous les produits 18V des partenaires AMPSHare.

Lors du travail avec et lors du chargement de batteries d'un type ne convenant pas à l'outil, de batteries endommagées, réparées ou modifiées, de batteries contrefaites ou d'autres fabricants, il y a danger d'incendie et/ou d'explosion.

Respecter les recommandations relatives aux batteries figurant dans la notice d'utilisation de votre produit. C'est la seule façon de faire fonctionner la batterie et le produit en toute sécurité et de protéger les batteries d'une surcharge dangereuse.

Ne recharger les batteries qu'à l'aide des chargeurs recommandés par FEIN ou l'un des partenaires AMPSHare. Un chargeur approprié à un type spécifique de batterie peut engendrer un risque d'incendie lorsqu'il est utilisé avec d'autres batteries.

La batterie est fournie en état de charge faible. Afin de garantir la puissance complète de la batterie, chargez-la complètement dans le chargeur avant la première mise en service.

Conserver les batteries hors de la portée des enfants.

Ne pas démonter, ouvrir ni fractionner les batteries. Ne pas exposer les batteries à des chocs mécaniques. En cas d'endommagement et d'utilisation non conforme de la batterie, des vapeurs et liquides nuisibles peuvent s'échapper. Les vapeurs peuvent irriter les voies respiratoires. Le liquide qui s'échappe de la batterie peut entraîner des irritations de la peau ou causer des brûlures.

Au cas où la peau entrerait en contact avec le liquide de batterie, rincer immédiatement avec abondamment de l'eau. Si le liquide de la batterie entre en contact avec les yeux, rincer les yeux à l'eau propre et consulter immédiatement un médecin !

Si le liquide de la batterie a mouillé des objets adjacents, vérifier les pièces concernées. Porter des gants de protection pour éviter tout contact avec la peau. Nettoyer les pièces à l'aide d'un papier de ménage sec ou

remplacer les pièces si nécessaire. Les vapeurs qui s'échappent peuvent irriter les voies respiratoires. Le liquide qui s'échappe de la batterie peut entraîner des irritations de la peau ou causer des brûlures.

Ne pas court-circuiter la batterie. Tenir la batterie non-utilisée à l'écart de toutes sortes d'objets métalliques tels qu'agrafes, pièces de monnaie, clés, clous, vis ou autres, car un pontage pourrait provoquer un court-circuit. Un court-circuit entre les contacts de la batterie peut provoquer des brûlures ou un incendie.

La batterie peut être endommagée par des objets pointus tels qu'un clou ou un tournevis ou par l'impact d'une force extérieure.

Un court-circuit interne peut se produire et la batterie peut prendre feu, fumer, exploser ou surchauffer.

Ne jamais entretenir des batteries endommagées. L'entretien des batteries ne doit être effectué que par le fabricant ou par un centre de service autorisé.



Protéger la batterie de la chaleur, par ex. une exposition directe au soleil, du feu, des encrassements, de l'eau et de l'humidité. Il existe un risque d'explosion et de court-circuit.



N'utiliser et ne stocker la batterie que dans la plage de température ambiante entre -20 °C et +50 °C. Ne laissez pas la batterie longtemps dans la voiture par ex. en été. À des températures < 0 °C, les performances peuvent être réduites de manière spécifique à l'outil.

Recharger la batterie uniquement à des températures ambiantes comprises entre 0 °C et +35 °C. Recharger la batterie avec le port USB uniquement via ce dernier à des températures ambiantes comprises entre +10 °C et +35 °C. Charger en dehors de la plage de température peut endommager la batterie ou augmenter le risque d'incendie.

Manipuler les batteries déchargées avec précaution. Les batteries constituent une source de danger, car elles peuvent provoquer un courant de court-circuit très élevé. Même si les batteries Li-ion semblent être à l'état déchargé, elles ne se déchargent jamais complètement.

Ne pas immerger la batterie dans des liquides tels que l'eau (salée) ou des boissons. Le contact avec des liquides peut endommager la batterie. Cela peut entraîner un dégagement de chaleur, de la fumée, une inflammation ou une explosion de la batterie. Ne pas continuer à utiliser la batterie et s'adresser à un service après-vente agréé par FEIN.

Ne pas utiliser de batterie endommagée. L'utilisation d'une batterie doit être immédiatement stoppée dès qu'elle présente des caractéristiques anormales, telles qu'un dégagement d'odeur, de chaleur, une décoloration ou une déformation. Si vous continuez à l'utiliser, la batterie peut dégager de la chaleur et de la fumée, s'enflammer ou exploser.

Ne pas ouvrir, écraser, surchauffer ou incinérer la batterie. Le non-respect de cette consigne entraîne un risque de brûlure et d'incendie. Suivre les instructions du fabricant.

Éteindre les batteries Li-ion en feu avec de l'eau, du sable ou une couverture anti-feu.

Éviter les coups / impacts physiques. Les coups et la pénétration d'objets peuvent endommager les batteries. Cela peut entraîner des fuites, un dégagement de chaleur, de la fumée, une inflammation ou une explosion de la batterie.

Ne jamais charger la batterie pendant la nuit sans surveillance. Le non-respect de cette consigne peut entraîner un risque d'incendie ou d'explosion.

Ne retirer la batterie de son emballage d'origine que lorsqu'elle doit être utilisée.

Ne retirer la batterie que lorsque l'outil électrique est à l'arrêt.

Avant tous travaux sur l'outil électrique, retirer la batterie de l'outil électrique. Risque de blessures en cas de démarrage non intentionnel de l'outil électrique.

Protéger la batterie de l'humidité et de l'eau. Nettoyer les raccords encrassés de la batterie et de l'outil électrique à l'aide d'un chiffon sec et propre.

Retirer la batterie avant de transporter ou de stocker l'outil électrique.

Suivre les consignes de sécurité figurant dans la notice d'utilisation des chargeurs de FEIN ou des partenaires AMPShare.

Maniement de poussières nocives.

⚠ AVERTISSEMENT Lors du travail avec des outils, par ex. lors du ponçage, polissage, sciage ou d'autres opérations enlevant du matériau, des poussières sont générées qui peuvent être nocives pour la santé, auto-inflammables ou explosives.

Toucher ou aspirer certaines poussières peut causer des réactions allergiques et/ou des maladies respiratoires, un cancer, des malformations à la naissance ou autres anomalies de reproduction auprès de l'utilisateur ou de personnes se trouvant à proximité.

Quelques exemples de tels matériaux et de produits chimiques qu'ils contiennent dont l'usinage génère des poussières nocives :

- l'amiante et les matériaux contenant de l'amiante ;
- peintures contenant du plomb, certains bois tels que le bois de chêne et de hêtre ;
- minéraux et métal ;
- les particules de silicate contenues dans les briques, le béton et autres matériaux contenant de la roche ;
- les solvants contenus dans les vernis et peintures ;
- l'arsenic, le chrome et d'autres lasures ;
- produits pour la lutte contre les vermines sur la coque de bateaux et de bâtiments ;
- poussières d'aciers fins, poussières de métaux et poussières de métaux non-ferreux.

Pour minimiser la résorption indésirable de ces matériaux :

- Utiliser une aspiration adaptée à la poussière générée.
- Utiliser des équipements personnels de protection tels que par exemple un masque anti-poussière de la classe filtre P2.
- Veiller à bien aérer la zone de travail.

Le risque causé par le fait d'aspirer des poussières dans les poumons dépend de la fréquence à laquelle ces matériaux sont travaillés. Les matériaux contenant de l'amiante ne doivent être travaillés que par des personnes qualifiées.

⚠ ATTENTION Les poussières de bois et les poussières de métaux légers peuvent causer une auto-inflammation ou une explosion.

Des mélanges chauds de poussières de ponçage contenant des résidus de vernis, de polyuréthane ou de produits chimiques dans le sac à poussières en papier ou dans le filtre de l'aspirateur peuvent s'enflammer dans des conditions défavorables tels que projection d'étincelles lors du ponçage de métaux, soleil direct permanent ou température ambiante élevée. Pour prévenir ces conditions :

- Éviter la surchauffe des matériaux usinés et de l'outil électrique.
- Vider le bac de récupération des poussières à temps.
- Respecter les indications de travail du fabricant du matériau.
- Respecter les règlements spécifiques aux matériaux à traiter en vigueur dans votre pays.

Vibrations mains-bras.

⚠ AVERTISSEMENT **Des vibrations mains-bras sont générées lors du travail avec cet outil électrique.** Celles-ci peuvent entraîner des effets néfastes sur la santé.

⚠ AVERTISSEMENT La valeur réelle des vibrations lors de l'utilisation de l'outil électrique peut dévier des valeurs indiquées, en fonction de l'utilisation de l'outil électrique.

⚠ AVERTISSEMENT Pour protéger l'opérateur, des mesures de sécurité doivent être déterminées sur la base de la sollicitation vibratoire estimée pendant l'utilisation effective.

Le niveau d'oscillation indiqué dans ces instructions d'utilisation a été mesuré conformément à la norme EN 60745 et peut être utilisé pour une comparaison d'outils électriques. Elle est également appropriée pour une estimation préliminaire de la sollicitation vibratoire.

L'amplitude d'oscillation correspond aux utilisations principales de l'outil électrique. Si l'outil électrique est cependant utilisé pour d'autres applications, avec d'autres outils de travail ou avec un entretien non approprié, le niveau d'oscillation peut être différent. Ceci peut augmenter considérablement la charge vibratoire pendant toute la durée de travail.

Pour une estimation précise de la charge vibratoire, il est recommandé de prendre aussi en considération les périodes pendant lesquelles l'appareil est éteint ou en fonctionnement, mais pas vraiment utilisé. Ceci peut réduire considérablement la charge vibratoire pendant toute la durée de travail. Déterminer des mesures de protection supplémentaires pour protéger l'utilisateur des effets de vibrations, telles que par exemple : entretien de l'outil électrique et des outils de travail, maintenir les mains chaudes, organisation judicieuse des opérations de travail.

Valeurs d'émission pour niveau sonore et vibration (Indication à deux chiffres conformément à la norme ISO 4871)

Émission acoustique

CCG18-125-10 AS **CCG18-125-10PD AS**
 (***) (***)

Mesure réelle (A) du niveau de pression acoustique sur le lieu de travail L_{pA} (re 20 μ Pa), en décibel

86.2

86.3

Incertitude K_{pA} , en décibel

3

3

Mesure réelle (A) du niveau d'intensité acoustique pondéré L_{wA} (re 1 pW), en décibel

97.2

97.3

Incertitude K_{wA} , en décibel

3

3

Mesure réelle (C) du niveau max. de pression acoustique sur le lieu de travail L_{pCpeak} en décibel

99.6

99.5

Incertitude K_{pCpeak} en décibel

3

3

Vibration

Valeur de vibration moyenne pour le meulage d'angle

- m/s^2

4.7

4.9

- ft/s^2

15.4

16.1

Valeur de vibration moyenne pour le ponçage avec feuille abrasive

- m/s^2

1.4

1.5

- ft/s^2

4.6

4.9

Incertitude K , en

- m/s^2

1.5

1.5

- ft/s^2

4.9

4.9

REMARQUE : La somme de la valeur d'émission mesurée et de l'incertitude constitue la limite supérieure des valeurs qui peuvent apparaître pendant la prise de mesures.



Porter une protection acoustique !

Valeurs de mesure mesurées conformément à la norme correspondante du produit.

Conception de l'outil électrique :

Meuleuse d'angle électroportative, conçue pour le meulage à sec, le brossage métallique et le tronçonnage de métal et de pierre à l'abri des intempéries avec les outils de travail et les accessoires autorisés par Fein.









Dans un environnement présentant à perturbations élevées, une réduction de la qualité de fonctionnement est possible, telle que panne temporaire, réduction temporaire de la fonctionnalité ou du comportement de fonctionnement conforme. Dans de tels cas, il est nécessaire à l'opérateur d'intervenir pour remédier à la perturbation.

L'outil électrique n'est pas destiné à l'usinage des matières plastiques ni aux travaux de polissage. L'utilisateur assume lui seul toute responsabilité pour les dommages dus à une utilisation non conforme à la conception de l'appareil.

Les règles de prévention des accidents généralement reconnues et les consignes de sécurité jointes doivent être respectées.

Symboles.

Symbole, signe	Explication
	Signal général d'interdiction. Cette action est interdite !
	Ne pas toucher les éléments en rotation de l'outil électrique.
	Suivre les indications données dans le texte ou la représentation graphique ci-contre !
	Lire impérativement les documents ci-joints tels que la notice d'utilisation et les instructions générales de sécurité.
	AMPShare est le système de batterie commun qui vous permet d'utiliser de nombreux outils de nombreuses marques professionnelles avec une seule batterie.
	Avant d'effectuer ce travail, retirer la batterie de l'outil électrique. Sinon, il y a des risques de blessures dues à un démarrage non intentionné de l'outil.
	Lors des travaux, porter une protection oculaire.
	Lors des travaux, porter une protection acoustique.
	Lors des travaux, utiliser un protège-main.
	Ne pas charger des batteries endommagées.
	Protéger la batterie de la chaleur, par ex. une exposition directe au soleil, du feu, des encrassements, de l'eau et de l'humidité.
	Une surface qui peut être touchée est très chaude et donc dangereuse.
	Mise en marche
	Arrêt
	bloqué
	non bloqué
	Confirme la conformité de l'outil électrique aux directives de l'Union Européenne.
	Ce symbole confirme la certification de ce produit aux États-Unis et au Canada.
	Cette indication met en garde contre une situation dangereuse imminente. Une mauvaise manipulation peut entraîner de graves blessures ou la mort.
	Cette indication indique une situation éventuellement dangereuse pouvant entraîner de graves blessures ou la mort.
	Cette indication met en garde contre une situation potentiellement dangereuse qui peut entraîner des blessures.

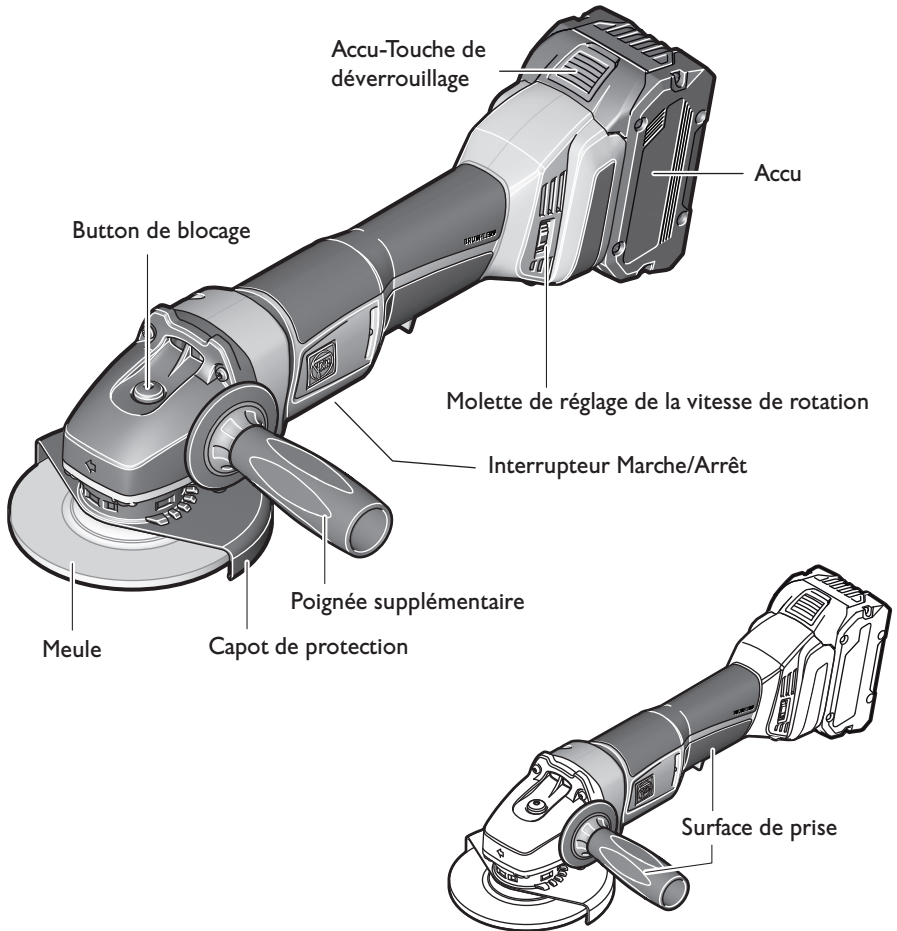
Symbole, signe	Explication
	Signalisation de recyclage : indique les matériaux recyclables
	Trier les outils électriques ainsi que tout autre produit électrotechnique et électrique et les déposer à un centre de recyclage respectant les directives relatives à la protection de l'environnement.
	Type de batterie
	Type de chargeur
	Produit avec double isolation ou isolation renforcée
	Vitesse de rotation faible
	Vitesse de rotation élevée
	Serrez fermement l'outil d'application avec une clé appropriée.
(Ax - Zx)	Marquage interne
(**)	peut contenir des chiffres ou des lettres
***	partiellement fourni avec

Signe	Unité internationale	Explication
n_0	rpm; /min; min^{-1} ; r/min	Vitesse de référence
P	W	Unité de mesure pour la puissance électrique
	°	Unité de mesure pour la largeur d'angle
U	V	Unité de mesure pour la tension électrique
f	Hz	Unité de mesure pour la fréquence
I	A	Unité de mesure pour l'intensité du courant électrique
m	kg, lbs	Unité de mesure pour la masse
l	ft, in	Unité de mesure pour longueur, largeur, hauteur, profondeur, diamètre ou filetage
\emptyset	ft, in	Diamètre d'un élément
a	m/s^2	Valeur d'émission vibratoire conformément à la norme EN 60745 (somme vectorielle des trois axes directionnels)
	m, s, kg, A, mm, V, W, Hz, N, °C, dB, min, m/s^2	Unités de base et unités dérivées du système international SI .

Description technique et spécification.

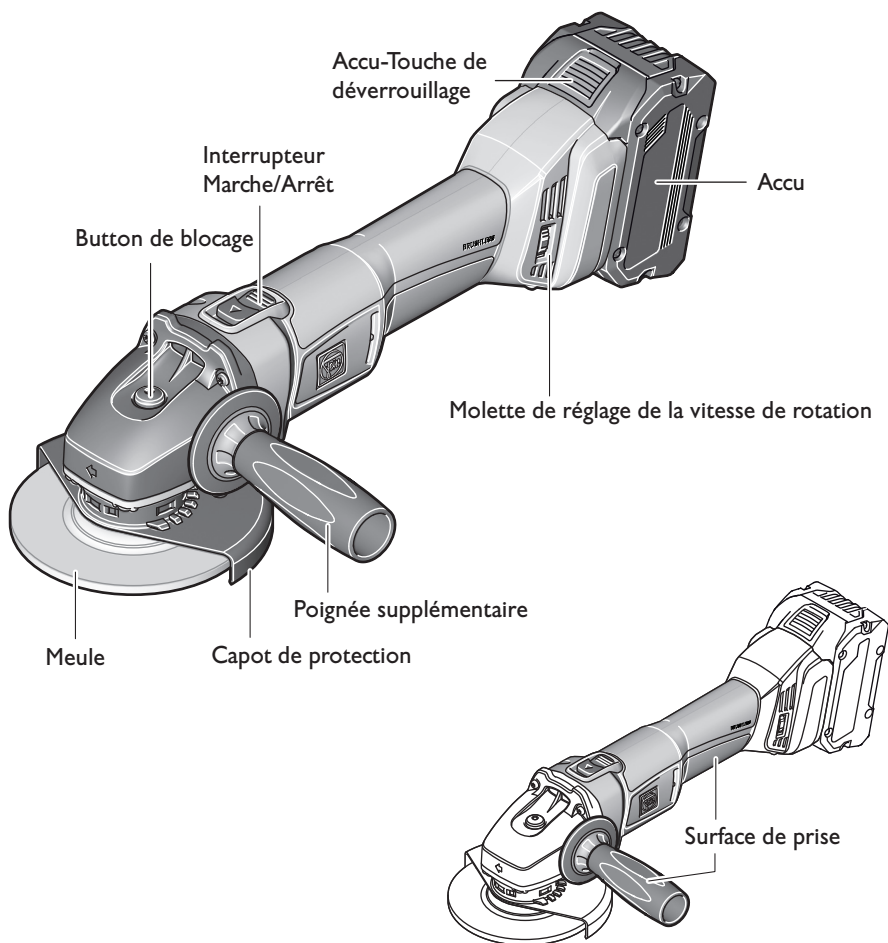
AVERTISSEMENT Retirer la batterie avant de commencer les travaux de montage ou de changer les outils de travail et les accessoires. Cette mesure de sécurité préventive exclut un danger de blessure causé par un démarrage non intentionné de l'outil électrique.

Il se peut que seule une partie des accessoires décrits ou représentés dans cette notice d'utilisation soit fournie avec l'outil électrique.





CCG18-125-10PD AS (**)

Fig. 2



CCG18-125-10 AS (**)

Type	CCG18-125-10 AS (**)	CCG18-125-10PD AS (**)
Référence	7 120 ...	7 120 ...
Tension de référence	18V---	18V---
Vitesse de référence	2500 – 8500 rpm	2500 – 8500 rpm
Diamètre max. disque de meulage / de tronçonnage	5 in 125 mm	5 in 125 mm
Diamètre de l'alésage	7/8 in 22.23 mm	7/8 in 22.23 mm
Épaisseur du disque de meulage/de tronçonnage	1/16 in – 1/4 in 1 mm – 6 mm	1/16 in – 1/4 in 1 mm – 6 mm
Diamètre max. du plateau de ponçage	5 in 125 mm	5 in 125 mm
Filetage de la flasque de serrage	5/8 in – 11UNC	5/8 in – 11UNC
Longueur de la broche filetée	3/4 in 20 mm	3/4 in 20 mm
Filetage de la flasque de serrage brosse conique en fil d'acier	5/8 in – 11UNC	5/8 in – 11UNC
Diamètre max. brosse conique en fil d'acier	4 1/2 in 115 mm	4 1/2 in 115 mm
Filetage de la flasque de serrage brosse boisseau	5/8 in – 11UNC	5/8 in – 11UNC
Diamètre max. brosse boisseau	2 1/2 in 65 mm	2 1/2 in 65 mm
Longueur de fil max.	3/4 in 20 mm	3/4 in 20 mm
Filetage de la flasque de serrage scie cloche diamant	5/8 in – 11UNC	5/8 in – 11UNC
Diamètre max. scie cloche diamant	2 2/3 in 68 mm	2 2/3 in 68 mm
Poids suivant EPTA-Procédure 01 (Outil électrique sans batterie et sans outil de travail)	4.2 lbs 1.9 kg	4.2 lbs 1.9 kg

Type	CORE 18V 8 Ah GBA18V80	CORE 18V 12 Ah GBA18V120
		
Type de batterie	Lithium Ion	Lithium Ion
Tension de référence	18V---	18V---
Poids suivant EPTA-Procédure 01 (Batterie)	2.12 lbs 0.96 kg	2.98 lbs 1.35 kg
Chargeur	BC1880, GAL 18V-160	

Indications de montage.

⚠ AVERTISSEMENT Retirer la batterie avant de commencer les travaux de montage ou de changer les outils de travail et les accessoires. Cette mesure de sécurité préventive exclut un danger de blessure causé par un démarrage non intentionné de l'outil électrique.

Retirer et charger la batterie (figure 3).

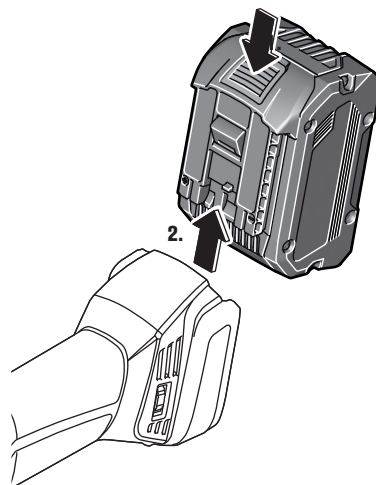
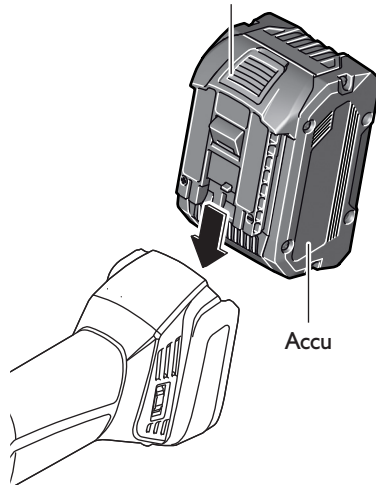
- ❗ Lire la notice d'utilisation du chargeur avant le premier processus de charge.
- ❗ Avant la première mise en service, charger la batterie complètement.

Déverrouiller la batterie en appuyant sur la touche de déverrouillage et la retirer de la poignée. Ne pas forcer.

Brancher le chargeur sur la prise de courant, enfoncer la batterie sur le chargeur et la charger. Une fois le processus de charge terminé, monter la batterie sur l'outil électrique et retirer la fiche du chargeur de la prise de courant.

Une batterie neuve n'atteint sa pleine puissance qu'après plusieurs cycles de charge et de décharge.

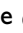

Fig. 3 Accu-Touche de déverrouillage



Maniement de la batterie.

Ne stockez, n'utilisez et ne chargez la batterie qu'à l'aide de chargeurs FEIN dans la plage de température de service admissible de 5°C à 45°C (41°F à 113°F). Au début du processus de charge, la température de la batterie doit se situer dans la plage de température de service de la batterie.

Voyant lumineux indiquant l'état de charge de la batterie (figure 4).

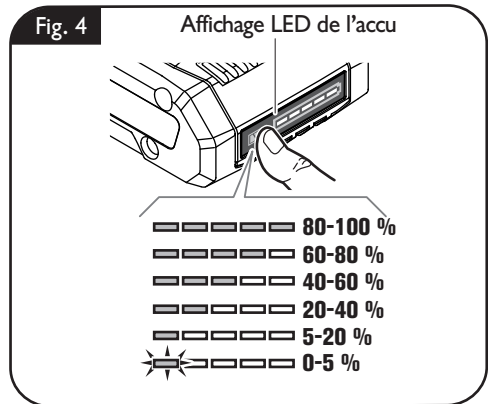
L'état de charge peut être indiqué par les LED vertes du voyant indiquant l'état de charge sur la batterie. Appuyer sur la touche du voyant indiquant l'état de charge  ou  pour faire afficher l'état de charge.

Affichage LED	Explication	Action
1 – 4 LED vertes	État de charge en pourcentage	Machine prête à l'emploi
lumière rouge permanent	La batterie est presque vide	Charger la batterie
Voyant rouge clignotant	La batterie n'est pas prête à fonctionner	Mettre la batterie dans la plage de température de service de la batterie, la charger ensuite

L'état de charge actuel en pourcentage de la batterie n'est indiqué que lorsque le moteur de l'outil électrique est à l'arrêt.

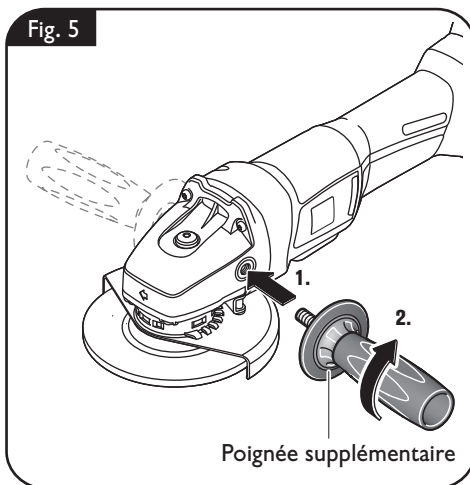
L'électronique stoppe automatiquement le moteur pour éviter toute décharge avancée de la batterie.

Si aucune LED n'est allumée après que la touche du voyant indiquant l'état de charge a été appuyée, la batterie est défectueuse et doit être remplacée.



Montage de la poignée supplémentaire (figure 5).

En fonction du mode de travail, serrez la poignée supplémentaire à droite ou à gauche de l'outil électrique.

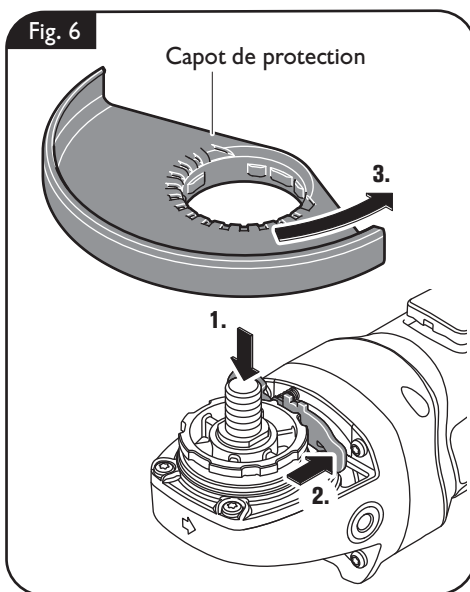


Montage du capot de protection (figure 6).

Montez le nez du capot de protection dans les rainures de l'outil électrique.

Appuyez sur le levier de serrage et tournez le capot de protection pour obtenir la position de travail souhaitée.

Faites encliqueter le levier de serrage.



Changement d'outil.

AVERTISSEMENT Retirer la batterie avant de commencer les travaux de montage ou de changer les outils de travail et les accessoires. Cette mesure de sécurité préventive exclut un danger de blessure causé par un démarrage non intentionné de l'outil électrique.

Montage de la meule (figure 7).

❗ N'actionner le bouton de blocage que lorsque le moteur est à l'arrêt.

Enfoncez le bouton de blocage complètement et maintenez-le dans cette position. Desserrez l'écrou à serrage rapide.

👉 Dévissez l'écrou à serrage rapide.

⚠️ Changer la meule usée ou monter une meule neuve.

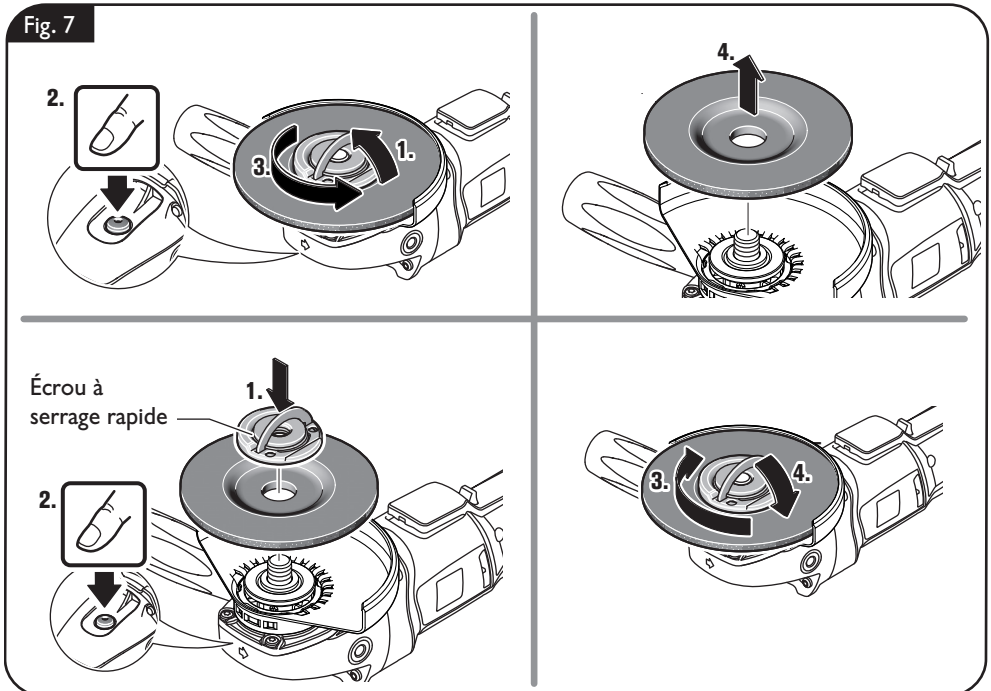
❗ Veillez à ce que la meule soit bien centrée entre la flasque d'appui et l'écrou à serrage rapide.

Revissez l'écrou à serrage rapide à la main. Enfoncez le bouton de blocage complètement et maintenez-le dans cette position. Resserrez l'écrou à serrage rapide.

Remarque : Veiller à respecter le sens de montage de l'écrou à serrage rapide. Avant chaque utilisation, serrez fermement l'outil d'application.

Les meules coudées doivent être montées de manière à ce que leur surface de ponçage soit en retrait de 2 mm par rapport au niveau inférieur du bord du protecteur. Les meules ne remplissant pas cette condition ne peuvent pas être suffisamment blindées et ne sont pas autorisées.

Fig. 7



Réglages.

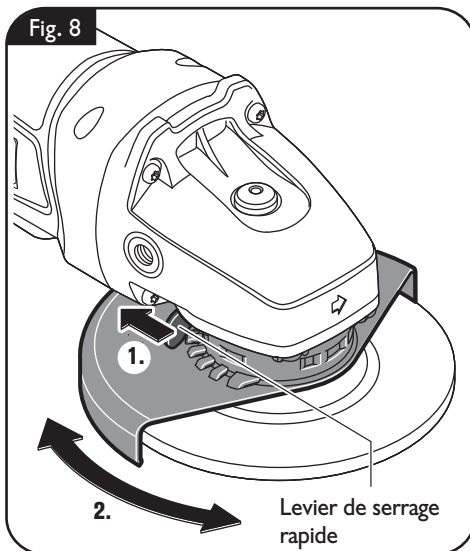
AVERTISSEMENT Retirer la batterie avant de commencer les travaux de montage ou de changer les outils de travail et les accessoires. Cette mesure de sécurité préventive exclut un danger de blessure causé par un démarrage non intentionné de l'outil électrique.

Réglage du capot de protection (figure 8).

Desserrez le levier de serrage.

Tournez le capot de protection pour obtenir la position de travail souhaitée et, à l'aide du levier de serrage, serrez le capot de protection.

Faites encliqueter le levier de serrage.

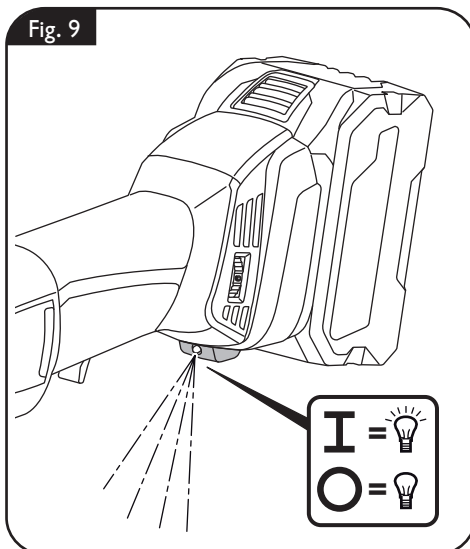


Éclairage (figure 9).

AVERTISSEMENT Ne regardez jamais de très près directement dans la lumière de la lampe de l'outil électrique. Ne dirigez pas la lumière de la lampe vers les yeux d'autres personnes se trouvant à proximité. Les rayons générés par la lampe peuvent être dangereux pour les yeux.

Appuyer sur l'interrupteur Marche/Arrêt allume la lampe.

Si l'on relâche l'interrupteur Marche/Arrêt, la lampe reste allumée pendant une courte durée, puis s'éteint automatiquement.



Indications pour le travail.

⚠ AVERTISSEMENT Retirer la batterie avant de commencer les travaux de montage ou de changer les outils de travail et les accessoires. Cette mesure de sécurité préventive exclut un danger de blessure causé par un démarrage non intentionné de l'outil électrique.

! N'utiliser que des outils de travail FEIN conçus et autorisés pour l'utilisation correspondante.

Mise en fonctionnement/Arrêt.

⚠ ATTENTION Toujours bien tenir l'outil électrique. Vous risquez sinon de perdre le contrôle de l'outil électrique.

Le **verrouillage de mise en marche** évite que la meuleuse d'angle sans fil ne se remette en marche automatiquement après l'interruption de l'alimentation en courant, par ex. après le remplacement de la batterie. Dans un tel cas, arrêtez l'outil électrique, retirez-le de la pièce et contrôlez l'outil de travail. Ensuite, remettez l'outil électrique en marche.

CCG18-125-10 AS (**) (figure 10).

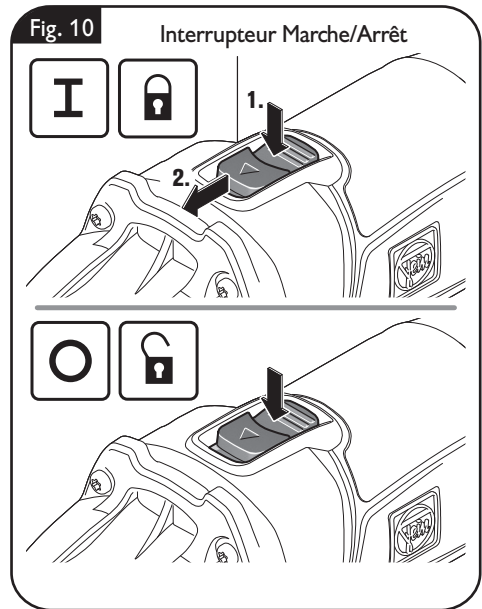
Mise en fonctionnement :

Appuyez et poussez l'interrupteur Marche/Arrêt vers l'avant (I).

Arrêt :

Pousser l'interrupteur vers le bas (O).

Afin d'obtenir la puissance optimale, n'utiliser l'outil électrique qu'avec les batteries FEIN CORE ou les batteries CORE des partenaires AMPShare. En cas d'utilisation d'autres batteries, la fonctionnalité peut être limitée.

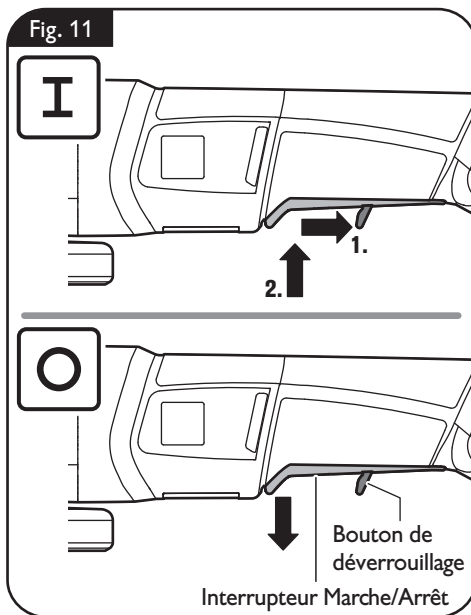


CCG18-125-10PD AS () (figure 11).****Mise en fonctionnement :**

Pousser l'interrupteur de déblocage vers l'avant. Appuyer sur l'interrupteur Marche/Arrêt.

Arrêt :

Relâcher l'interrupteur Marche/Arrêt.

**Instructions d'utilisation supplémentaires**

Le verrouillage de mise en marche automatique évite que l'outil électrique ne se remette automatiquement en marche lors de l'enfichage de la batterie si l'interrupteur est sur Marche.

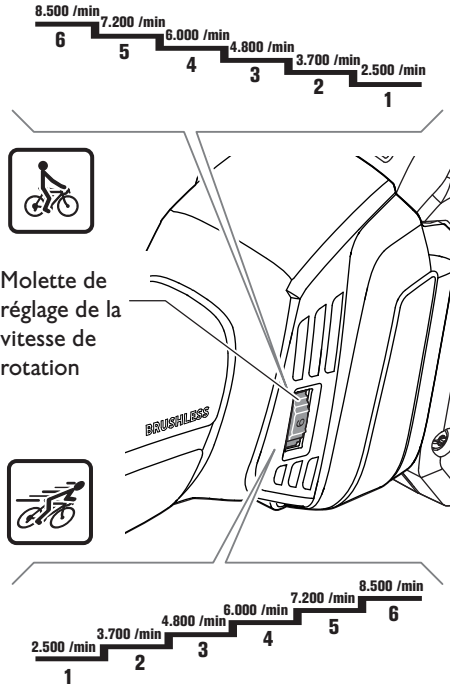
Si l'outil électrique s'éteint sans que l'interrupteur soit actionné, éteindre l'interrupteur de l'outil électrique, retirer la batterie et la remettre en place.

Réglage de la vitesse de rotation (figure 12).

Il est possible de régler en continu la plage de vitesse de rotation conformément aux indications sur la figure suivante.

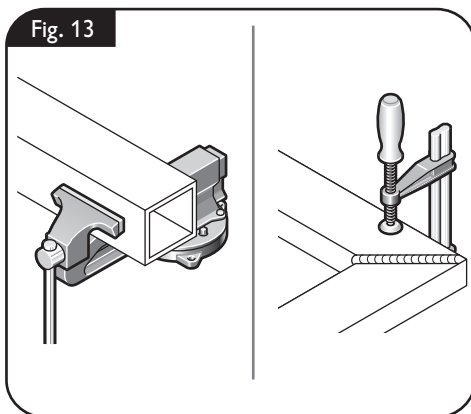
Positionner la molette de réglage entre « 1 » pour la vitesse de rotation la plus basse et « 6 » pour la vitesse la plus élevée.

Fig. 12



Bloquer la pièce à travailler (figure 13).

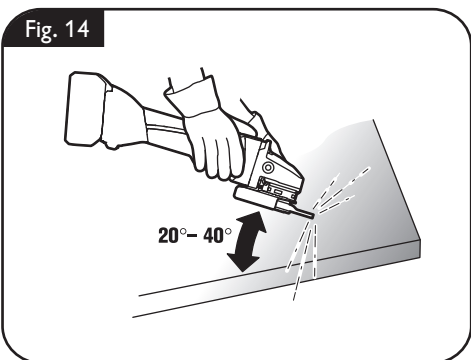
❗ **Bloquez suffisamment la pièce à travailler.** Une pièce à travailler qui n'est pas suffisamment bloquée pourrait par ex. coincer la meule, faire tomber la pièce à travailler ainsi que provoquer d'autres incidents dangereux.



Ponçage à sec (figure 14).

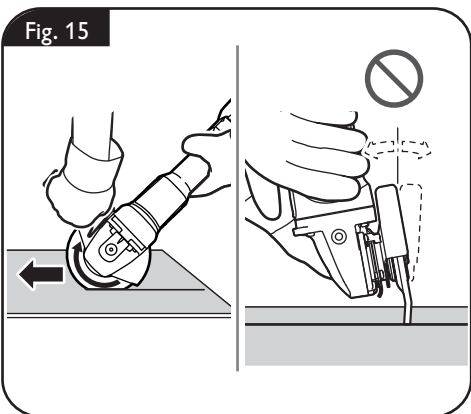
Maintenir un angle d'inclinaison de 20–40°. Vous obtiendrez ainsi un bon enlèvement de matériau.

- 👁️ Appuyer l'outil électrique de façon régulière et le faire avancer par-dessus la surface.
- ❗ Éviter un échauffement trop fort de la surface de la pièce à travailler.



Tronçonnage (figure 15).

- 👁️ Travailler toujours dans le sens opposé afin que le disque à tronçonner ne sorte pas du tracé.



Travaux d'entretien et service après-vente.

AVERTISSEMENT Retirer la batterie avant de commencer les travaux de montage ou de changer les outils de travail et les accessoires. Cette mesure de sécurité préventive exclut un danger de blessure causé par un démarrage non intentionné de l'outil électrique.

Pièces remplaçables.

Si nécessaire, il est possible de remplacer soi-même les éléments suivants :

Outils de travail, poignée supplémentaire, écrou à serrage rapide, capot de protection

Lors du travail des matériaux à base de plâtre, de la poussière pourrait se déposer à l'intérieur de l'outil électrique et sur l'élément de commande et pourrait durcir au contact de l'humidité présente dans l'air. Ceci peut entraver le mécanisme d'enclenchement. Souffler fréquemment de l'air comprimé sec et exempt d'huile dans l'intérieur de l'outil électrique à travers les orifices de ventilation.

Les produits ayant été en contact avec de l'amiante ne doivent pas être réparés. Éliminer les produits contaminés par l'amiante conformément aux dispositions nationales relatives à l'élimination de déchets contenant de l'amiante.

Pour tout outil électrique ou accessoire FEIN nécessitant une réparation, veuillez consulter votre service client FEIN. Vous trouverez l'adresse sur le site Internet www.fein.com.

Remplacer les étiquettes et avertissements sur l'outil électrique en cas de vieillissement ou d'usure.

Vous trouverez la liste actuelle des pièces de rechange pour cet outil électrique sur notre site www.fein.com.

N'utiliser que des pièces de rechange d'origine.

Service après-vente.

AVERTISSEMENT Ne faire effectuer les travaux d'entretien que par des personnes qualifiées. Les câbles et éléments mal montés peuvent présenter des risques graves. Ne faire effectuer le service d'entretien nécessaire que par une station de service après-vente FEIN.

Nettoyage.

AVERTISSEMENT Retirez la batterie avant tout travail d'entretien et de nettoyage. Cette mesure de sécurité préventive exclut un danger de blessure causé par un démarrage non intentionné de l'outil électrique.

AVERTISSEMENT S'il y a de la poussière conductrice dans l'air lors de l'utilisation de l'appareil, p. ex. lors du traitement de métaux, cette poussière peut se déposer à l'intérieur de l'outil électrique. Souffler alors régulièrement de l'extérieur de l'air comprimé sec exempt d'huile dans l'intérieur de l'outil électrique à travers les orifices de ventilation ; utiliser toujours une protection oculaire.

ATTENTION Ne pas essayer de nettoyer les orifices de ventilation à l'aide d'objets métalliques pointus ; utiliser des outils non-métalliques.

ATTENTION Ne pas utiliser de détergents ou de solvants qui peuvent endommager les parties en matière plastique. Par exemple : l'essence, le tétrachlorure de carbone, solvants chlorés, l'ammoniaque et produits de nettoyage domestiques contenant de l'ammoniaque.

Nettoyer de temps en temps les orifices de ventilation et les raccordements de la batterie à l'aide d'un pinceau doux, propre et sec.

– Ne pas utiliser des substances chimiques pour nettoyer la batterie.

Garantie.

La garantie du produit est valide conformément à la réglementation légale en vigueur dans le pays où le produit est mis sur le marché. Outre les obligations de garantie légale, les appareils FEIN sont garantis conformément à notre déclaration de garantie de fabricant.

Il se peut que seule une partie des accessoires décrits ou représentés dans cette notice d'utilisation soit fournie avec l'outil électrique.

Protection de l'environnement, recyclage.

 **Ne pas jeter les batteries avec les ordures ménagères !**

Rapporter les emballages, les outils électriques hors d'usage et les accessoires dans un centre de recyclage respectant les directives concernant la protection de l'environnement.

N'éliminer les batteries que lorsqu'elles sont déchargées.

Si les batteries ne sont pas complètement déchargées, isoler par précaution le connecteur électrique à l'aide d'un ruban adhésif pour les protéger contre les courts-circuits.

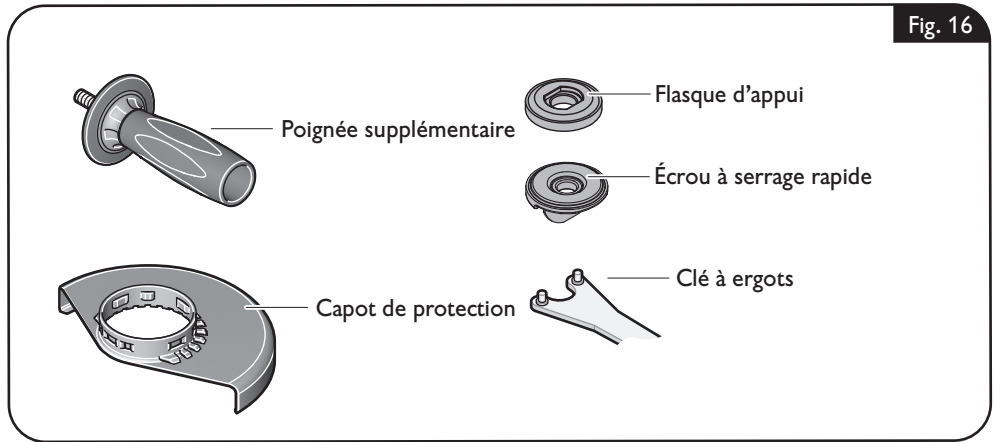
Transport.

Les batteries Lithium-ion sont soumises aux règlements de transport des matières dangereuses. L'utilisateur peut transporter les batteries par voie routière sans mesures supplémentaires.

Lors d'une expédition par tiers (par ex. : transport aérien ou entreprise de transport), les mesures à prendre spécifiques à l'emballage et au marquage doivent être observées. Dans un tel cas, lors de la préparation de l'envoi, il est impératif de faire appel à un expert en transport des matières dangereuses.

N'expédier les batteries que si le carter n'est pas endommagé. Recouvrir les contacts à l'air libre et emballer la batterie de manière à ce qu'elle ne se déplace pas dans l'emballage. Veuillez également respecter des réglementations supplémentaires nationales éventuellement en vigueur.

Accessoires fournis (figure 16).



Sélection des accessoires (figures 17–18).

N'utiliser que des accessoires d'origine FEIN. L'accessoire doit être approprié au type d'outil électrique.

- A-1** Capot de protection pour le tronçonnage, type A
- B-1** Capot de protection pour le ponçage, type B
- B-2** Capot de protection pour le ponçage, type B (hubbed wheel)
- B-3** Couverture de protection pour le tronçonnage
- 1-1** Disque à ébarber, type 27
- 1-2** Disque vissable (hubbed wheel)
(n'utiliser qu'avec capot de protection monté, utiliser une clé plate adaptée)
- 2-1** Disque à tronçonner
(n'utiliser qu'avec capot de protection monté)
- 3-1** Disque à lamelles
- 3-2** Plateau souple pour disques abrasifs en fibre, disques abrasifs en fibre
(à monter uniquement avec le dispositif de serrage du plateau souple fourni)
- 3-3** Plateau de ponçage avec support auto-agrippant, feuilles abrasives adhésives, abrasif non-tissé adhésif, éponges (utiliser une clé plate adaptée)
- 4-1** Brosse boisseau en fil d'acier
- 4-2** Brosse boisseau en fil d'acier, roues abrasives à lamelles
(utiliser une clé plate adaptée)
- 5-1** Perforateur diamanté
(utiliser une clé plate adaptée)

Fig. 17

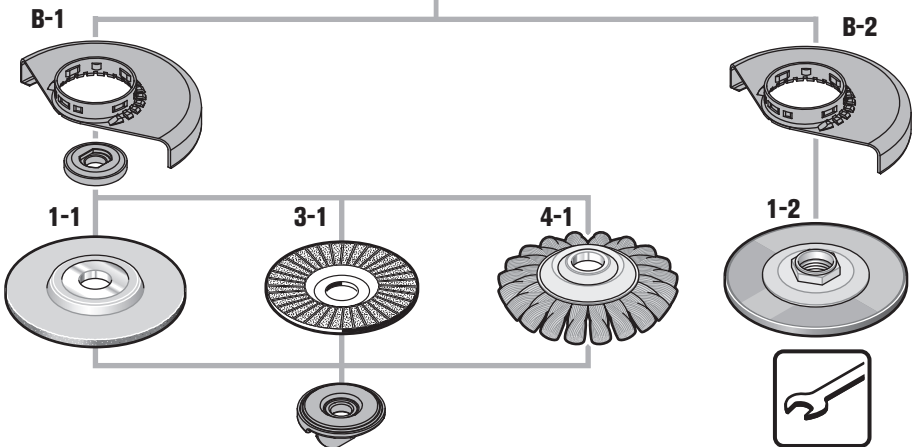
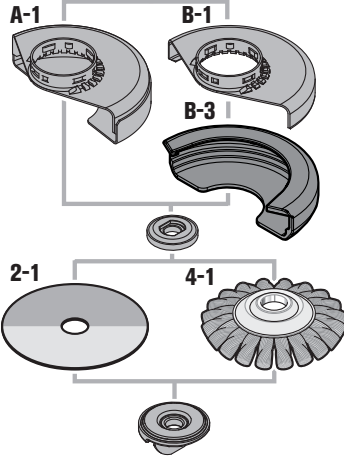
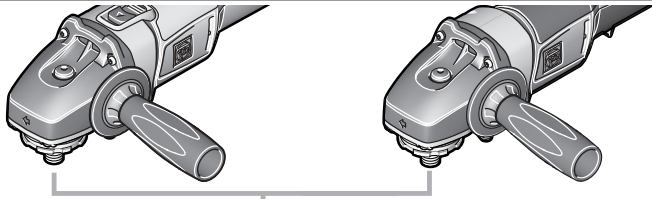
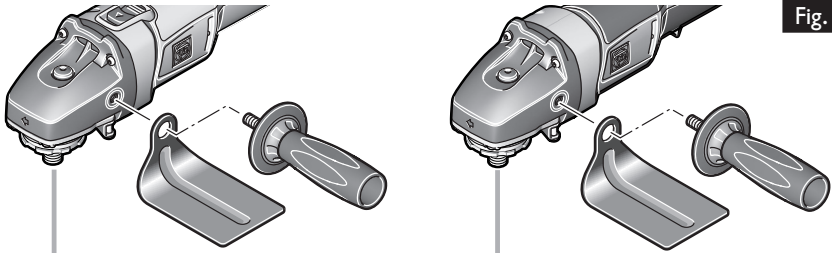
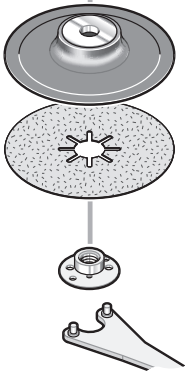


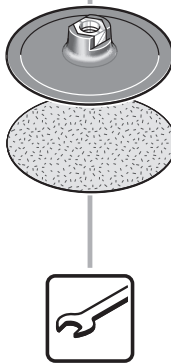
Fig. 18



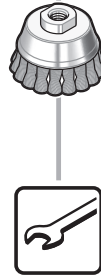
3-2



3-3



4-2




5-1



Para su seguridad.

⚠ ADVERTENCIA Lea integralmente estas advertencias de peligro e instrucciones. En caso de no atenerse a las advertencias de seguridad siguientes, ello puede ocasionar una descarga eléctrica, un incendio y/o lesión grave.

Guardar todas las advertencias de peligro e instrucciones para futuras consultas.

 No utilice esta herramienta eléctrica sin haber leído antes con detenimiento y haber entendido por completo estas instrucciones de uso, inclusive las ilustraciones, especificaciones, reglas de seguridad, así como las indicaciones identificadas con PELIGRO, ADVERTENCIA y PRECAUCIÓN.

Solamente use esta herramienta eléctrica para realizar los trabajos que FEIN ha previsto para la misma. Únicamente utilice las herramientas y accesorios autorizados por FEIN.

Observe también las respectivas prescripciones contra accidentes de trabajo vigentes en su país.

En caso de no atenerse a las instrucciones de seguridad mencionadas en la documentación previamente citada, ello puede provocar una electrocución, incendio y/o lesión grave.

Guarde estas instrucciones de uso para posteriores consultas y entréguelas al usuario en caso de prestar o vender la máquina.

GUARDAR ESTAS INSTRUCCIONES EN UN LUGAR SEGURO.

El término “herramienta eléctrica” empleado en las siguientes instrucciones de seguridad se refiere a herramientas eléctricas de conexión a la red (con línea) y a herramientas eléctricas accionadas por batería (o sea, sin línea).

Instrucciones generales de seguridad.

1) Seguridad en el puesto de trabajo

a) Mantenga limpio y bien iluminado su puesto de trabajo. El desorden y una iluminación deficiente en las áreas de trabajo pueden provocar accidentes.

b) No utilice la herramienta eléctrica en un entorno con peligro de explosión, en el que se encuentren combustibles líquidos, gases o material en polvo. Las herramientas eléctricas producen chispas que pueden llegar a inflamar los materiales en polvo o vapores.

c) Mantenga alejados a los niños y otras personas de su puesto de trabajo al emplear la herramienta eléctrica. Una distracción le puede hacer perder el control sobre el aparato.

2) Seguridad eléctrica

a) La clavija del aparato debe corresponder al enchufe utilizado. No es admisible modificar la clavija en forma alguna. No emplear adaptadores en aparatos dotados con una toma de tierra. Las clavijas sin modificar adecuadas a los respectivos enchufes reducen el riesgo de una descarga eléctrica.

b) Evite que su cuerpo toque partes conectadas a tierra como tuberías, radiadores, cocinas y refrigeradores. El riesgo a quedar expuesto a una sacudida eléctrica es mayor si su cuerpo tiene contacto con tierra.

c) No exponga las herramientas eléctricas a la lluvia y evite que penetren líquidos en su interior. Existe el peligro de recibir una descarga eléctrica si penetran ciertos líquidos en la herramienta eléctrica.

d) No utilice la línea para transportar o colgar el aparato, ni tire de ella para sacar la clavija de la toma de corriente. Mantenga la línea alejada del calor, aceite, esquinas cortantes o piezas móviles. Las líneas dañadas o enredadas pueden provocar una descarga eléctrica.

e) Al trabajar con la herramienta eléctrica a la intemperie utilice solamente extensiones homologadas para su uso en exteriores. La utilización de una extensión adecuada para su uso en exteriores reduce el riesgo de una descarga eléctrica.

f) Si fuese imprescindible utilizar la herramienta eléctrica en un entorno húmedo, es necesario conectarla a través de un fusible diferencial. La aplicación de un fusible diferencial reduce el riesgo a exponerse a una descarga eléctrica.

3) Seguridad de personas

a) Esté atento a lo que hace y emplee la herramienta eléctrica con prudencia. No utilice la herramienta eléctrica si estuviese cansado, ni tampoco después de haber consumido alcohol, drogas o medicamentos. El no estar atento durante el uso de una herramienta eléctrica puede provocarle serias lesiones.

b) Utilice un equipo de protección y en todo caso unas gafas de protección. El riesgo a lesionarse se reduce considerablemente si, dependiendo del tipo y la aplicación de la herramienta eléctrica empleada, se utiliza un equipo de protección adecuado como una mascarilla cubrepolvo, zapatos de seguridad anti-deslizantes, cubierta, o protectores auditivos.

c) Evite una puesta en marcha fortuita del aparato. Asegúrese de que el aparato esté apagado antes de conectarlo al enchufe. Si transporta el aparato sujetándolo por el switch, o si conecta la clavija al enchufe con el aparato encendido, ello puede dar lugar a un accidente.

d) Retire las herramientas de ajuste o llaves fijas antes de conectar la herramienta eléctrica. Una herramienta o llave colocada en una pieza rotante puede producir lesiones al ponerse a funcionar.

e) Sea precavido. Trabaje sobre una base firme y mantenga el equilibrio en todo momento. Ello le permitirá controlar mejor la herramienta eléctrica en caso de presentarse una situación inesperada.

f) Lleve puesta una ropa de trabajo adecuada. No utilice ropa amplia ni joyas. Mantenga su pelo, ropa y guantes alejados de las piezas móviles. La ropa suelta, las joyas y el pelo largo se pueden enganchar con las piezas en movimiento.

g) Siempre que sea posible utilizar unos equipos de aspiración o captación de polvo, asegúrese de que éstos estén apropiadamente conectados y que sean utilizados correctamente. El empleo de estos equipos reduce los riesgos derivados del polvo.

4) Trato y uso cuidadoso de herramientas eléctricas

a) No sobrecargue el aparato. Use la herramienta prevista para el trabajo a realizar. Con la herramienta adecuada podrá trabajar mejor y más seguro dentro del margen de potencia indicado.

b) No utilice herramientas con un switch defectuoso. Las herramientas que no se puedan encender o apagar son peligrosas y deben hacerse reparar.

c) Saque la clavija de la red antes de realizar un ajuste en el aparato, cambiar de accesorio o al guardar el aparato. Esta medida preventiva reduce el riesgo a encender accidentalmente el aparato.

d) Guarde las herramientas fuera del alcance de los niños y de las personas que no estén familiarizadas con su uso. Las herramientas utilizadas por personas inexpertas son peligrosas.

e) Cuide sus herramientas eléctricas con esmero. Controle si funcionan correctamente, sin atascarse, las partes móviles del aparato, y si existen partes rotas o deterioradas que pudieran afectar al funcionamiento de la herramienta. Si la herramienta eléctrica estuviese defectuosa haga repararla antes de volver a utilizarla. Muchos de los accidentes se deben a aparatos con un mantenimiento deficiente.

f) Mantenga los útiles de corte limpios y afilados. Los útiles de corte mantenidos correctamente se dejan guiar y controlar mejor.

- g) **Utilice herramientas eléctricas, accesorios, útiles, etc. de acuerdo a estas instrucciones y en la manera indicada específicamente para este aparato. Considere en ello las condiciones de trabajo y la tarea a realizar.** El uso de herramientas eléctricas para trabajos diferentes de aquellos para los que han sido concebidas puede resultar peligroso.
- 5) **Uso y trato de la herramienta con batería**
- a) **Solamente cargue las baterías con los cargadores que el fabricante recomienda.** Los cargadores diseñados para un tipo concreto de baterías pueden incendiarse si se utilizan con baterías de otro tipo.
- b) **Solamente utilice las baterías previstas en las herramientas eléctricas.** La aplicación de otras baterías puede causar lesiones e incendios.
- c) **Guarde las baterías que no precise manteniéndolas separadas de clips, monedas, llaves, clavos, tornillos u otros objetos metálicos pequeños que pudieran puentear sus contactos.** Un cortocircuito de los contactos de la batería puede ocasionar quemaduras o un incendio.
- d) **Si se utiliza incorrectamente puede llegar a salir líquido de la batería. Evite tocar este líquido. Si llega a tocarlo por descuido enjuague con agua la zona afectada. Si el líquido alcanza a penetrar en los ojos acuda además inmediatamente a un médico.** El líquido de la batería puede irritar la piel o producir quemaduras.
- 6) **Servicio**
- a) **Únicamente haga reparar su herramienta eléctrica por un profesional, empleando exclusivamente refacciones originales.** Solamente así se mantiene la seguridad de la herramienta eléctrica.

Instrucciones de seguridad especiales.

Advertencias de peligro generales al realizar trabajos de amolado, lijado, con cepillos de alambre y tronzado

Esta herramienta eléctrica ha sido concebida para amolar, lijar, trabajar con cepillos de alambre y para tronzar. Observe todas las indicaciones de seguridad, instrucciones, ilustraciones y datos que se suministran con el aparato. Si no se tienen en cuenta las recomendaciones de seguridad descritas, puede electrocutarse, producirse un incendio y/o sufrir graves lesiones.

Esta herramienta eléctrica no es apta para pulir. La utilización de la herramienta eléctrica en trabajos para los que no ha sido prevista puede provocar un accidente.

No emplee accesorios diferentes de aquellos que el fabricante haya previsto o recomendado especialmente para esta herramienta eléctrica. El mero hecho de que sea acoplable un accesorio a su herramienta eléctrica no implica que su utilización resulte segura.

Las revoluciones admisibles del útil deberán ser como mínimo iguales a las revoluciones máximas indicadas en la herramienta eléctrica. Aquellos accesorios que giren a unas revoluciones mayores a las admisibles pueden llegar a romperse y salir despedidos.

El diámetro exterior y el grosor del útil deberán corresponder con las medidas indicadas para su herramienta eléctrica. Los útiles de dimensiones incorrectas no pueden protegerse ni controlarse con suficiente seguridad.

Los útiles de fijación a rosca deberán ajustar exactamente en la rosca del husillo. Si el útil es de montaje por brida, su diámetro de alojamiento se deberá corresponder con el diámetro de centrado de la brida. Los útiles que no ajustan exactamente en la brida del husillo, giran descentrados y generan unas vibraciones muy fuertes que pueden hacerle perder el control sobre la herramienta eléctrica.

No use útiles dañados. Antes de cada uso inspeccione el estado de los útiles con el fin de detectar, p. ej., si están desportillados o fisurados los útiles de amolar, si está agrietado o muy desgastado el plato lijador, o si las púas de los cepillos de alambre están flojas o rotas. Si se le cae la herramienta eléctrica o el útil, inspeccione si han sufrido algún daño o monte otro útil en correctas condiciones. Una vez controlado y montado el útil sitúese Vd. y las personas circundantes fuera del plano de rotación del útil y deje funcionar la herramienta eléctrica en vacío, a las revoluciones máximas, durante un minuto. Por lo regular, aquellos útiles que estén dañados suelen romperse al realizar esta comprobación.

Utilice un equipo de protección personal. Dependiendo del trabajo a realizar use una careta, una protección para los ojos, o unas gafas de protección. Si procede, emplee una mascarilla antipolvo, protectores auditivos, guantes de protección o un mandil especial adecuado para protegerle de los pequeños fragmentos que pudieran salir proyectados al desprenderse del útil o pieza. Las gafas de protección deberán ser indicadas para protegerle de los fragmentos que pudieran salir despedidos al trabajar. La mascarilla antipolvo o respiratoria deberá ser apta para filtrar las partículas producidas al trabajar. La exposición prolongada al ruido puede provocar sordera.

Cuide que las personas en las inmediaciones se mantengan a suficiente distancia de la zona de trabajo. Toda persona que acceda a la zona de trabajo deberá utilizar un equipo de protección personal. Podrían ser lesionadas, incluso fuera del área de trabajo inmediato, al salir proyectados fragmentos de la pieza de trabajo o del útil.

Solo sujete la herramienta eléctrica por las empuñaduras aisladas al realizar trabajos en los que el útil pueda tocar líneas eléctricas ocultas. El contacto con líneas bajo tensión puede hacer que las partes metálicas del aparato le provoquen una descarga eléctrica.

Jamás deposite la herramienta eléctrica antes de que el útil se haya detenido por completo. El útil en funcionamiento puede llegar a tocar la base de apoyo y hacerle perder el control sobre la herramienta eléctrica.

No deje funcionar la herramienta eléctrica mientras la transporta. El útil en funcionamiento podría lesionarle al engancharse accidentalmente con su vestimenta.

Limpie periódicamente las rejillas de refrigeración de su herramienta eléctrica. El ventilador del motor aspira polvo hacia el interior de la carcasa, por lo que, en caso de una acumulación fuerte de polvo metálico, ello puede provocarle una descarga eléctrica.

No utilice la herramienta eléctrica cerca de materiales combustibles. Las chispas producidas al trabajar pueden llegar a incendiar estos materiales.

No emplee útiles que requieran ser refrigerados con líquidos. La aplicación de agua u otros refrigerantes líquidos puede comportar una descarga eléctrica.

Causas del retroceso y advertencias al respecto

El retroceso es una reacción brusca que se produce al atascarse o engancharse el útil, como un disco de amolar, plato lijador, cepillo, etc. Al atascarse o engancharse el útil en funcionamiento, éste es frenado bruscamente. Ello puede hacerle perder el control sobre la herramienta eléctrica y hacer que ésta salga impulsada en dirección opuesta al sentido de giro que tenía el útil.

En el caso, p. ej., de que un disco amolador se atasque o bloquee en la pieza de trabajo, puede suceder que el canto del útil que penetra en el material se enganche, provocando la rotura del útil o el retroceso del aparato. Según el sentido de giro y la posición del útil en el momento de bloquearse puede que éste resulte despedido hacia, o en sentido opuesto al usuario. En estos casos puede suceder que el útil incluso llegue a romperse.

El retroceso es ocasionado por la aplicación o manejo incorrecto de la herramienta eléctrica. Es posible evitarlo ateniéndose a las medidas preventivas que a continuación se detallan.

Sujete con firmeza la herramienta eléctrica y mantenga su cuerpo y brazos en una posición propicia para resistir las fuerzas de reacción. Si forma parte del aparato, utilice siempre la empuñadura adicional para poder soportar mejor las fuerzas de retro-

ceso, además de los pares de reacción que se presentan en la puesta en marcha. El usuario puede controlar las fuerzas de retroceso y de reacción si toma unas medidas preventivas oportunas.

Jamás aproxime su mano al útil en funcionamiento. En caso de un retroceso, el útil podría lesionarle la mano.

No se sitúe dentro del área hacia el que se movería la herramienta eléctrica al retroceder bruscamente. Al retroceder bruscamente, la herramienta eléctrica saldrá despedida desde el punto de bloqueo en dirección opuesta al sentido de giro del útil.

Tenga especial precaución al trabajar esquinas, cantos afilados, etc. Evite que el útil de amolar rebote contra la pieza de trabajo o que se atasque. En las esquinas, cantos afilados, o al rebotar, el útil en funcionamiento tiende a atascarse. Ello puede hacerle perder el control o causar un retroceso del útil.

No utilice hojas de sierra para madera ni otros útiles dentados. Estos útiles son propensos al retroceso y pueden hacerle perder el control sobre la herramienta eléctrica.

Instrucciones de seguridad específicas para operaciones de amolado y tronzado

Use exclusivamente útiles homologados para su herramienta eléctrica, en combinación con la carcasa de protección prevista para estos útiles. Los útiles que no fueron diseñados para su uso en esta herramienta eléctrica pueden quedar insuficientemente protegidos y suponen un riesgo.

Los discos de desbaste con centro deprimido deberán montarse de forma que su superficie de trabajo no sobresalga frontalmente del borde de la carcasa de protección. Un disco desbaste impropriamente montado que sobresalga por el frente de la carcasa de protección no puede protegerse suficientemente.

La carcasa de protección deberá fijarse firmemente a la herramienta eléctrica y orientarse de modo que ofrezca una seguridad máxima cubriendo para ello lo máximo posible la parte del útil a la que queda expuesta

el usuario. La carcasa de protección sirve para proteger al usuario de los fragmentos que puedan desprenderse del útil, del contacto accidental con éste, y de las chispas que pudieran incendiar su ropa.

Solamente emplee el útil para aquellos trabajos para los que fue concebido. Por ejemplo, no emplee las caras de los discos tronzadores para amolar. En los útiles de tronzar, el arranque de material se lleva a cabo con los bordes del disco. Si estos útiles son sometidos a un esfuerzo lateral, ello puede provocar su rotura.

Siempre use para el útil seleccionado una brida en perfecto estado con las dimensiones y forma correctas. Una brida adecuada soporta convenientemente el útil reduciendo así el peligro de rotura. Las bridas para discos tronzadores pueden ser diferentes de aquellas para otros discos de amolar.

No intente aprovechar los discos amoladores de otras herramientas eléctricas más grandes, aunque su diámetro exterior se haya reducido suficientemente por el desgaste. Los discos amoladores destinados para herramientas eléctricas grandes no son aptos para soportar las velocidades periféricas más altas a las que trabajan las herramientas eléctricas más pequeñas, y pueden llegar a romperse.

Instrucciones de seguridad adicionales específicas para el tronzado

Evite que se bloquee el disco tronizador y una presión de aplicación excesiva. No intente realizar cortes demasiado profundos. Al solicitar en exceso el disco tronizador éste es más propenso a ladearse, bloquearse, a retroceder bruscamente, o a romperse.

No se coloque delante o detrás del disco tronizador en funcionamiento, alineado con la trayectoria del corte. Mientras que al cortar, el disco tronizador es guiado en sentido opuesto a su cuerpo, en caso de un retroceso el disco tronizador y la herramienta eléctrica son impulsados directamente contra Ud.

Si el disco tronizador se bloquea, o si tuviese que interrumpir su trabajo, desconecte la herramienta eléctrica y manténgala en esa posición, sin moverla, hasta que el disco tronizador se haya detenido por completo.

Jamás intente sacar el disco tronzador en marcha de la ranura de corte, ya que ello puede provocar que éste retroceda bruscamente. Investigue y subsane la causa del bloqueo.

No intente proseguir el corte, estando insertado el disco tronzador en la ranura de corte. Una vez fuera de la ranura de corte, espere a que el disco tronzador haya alcanzado las revoluciones máximas, y prosiga entonces el corte con cautela. En caso contrario el disco tronzador podría bloquearse, salirse de la ranura de corte, o retroceder bruscamente.

Soporte las planchas u otras piezas de trabajo grandes para reducir el riesgo de bloqueo o retroceso del disco tronzador. Las piezas de trabajo grandes tienden a curvarse por su propio peso. La pieza de trabajo deberá apoyarse desde abajo a ambos lados tanto cerca de la línea de corte como en los bordes.

Proceda con especial cautela al realizar recortes “por inmersión” en paredes o superficies similares. El disco tronzador puede retroceder bruscamente al tocar tuberías de gas o agua, conductores eléctricos, u otros objetos.

Instrucciones de seguridad específicas para trabajos con hojas lijadoras

No use hojas lijadoras más grandes que el soporte, ateniéndose para ello a las dimensiones que el fabricante recomienda. Las hojas lijadoras de un diámetro mayor que el plato lijador pueden provocar un accidente, fisurarse, o causar un retroceso brusco del aparato.

Instrucciones de seguridad específicas para el trabajo con cepillos de alambre

Considere que las púas de los cepillos de alambre pueden desprenderse también durante un uso normal. No fuerce las púas ejerciendo una fuerza de aplicación excesiva. Las púas desprendidas pueden traspasar muy fácilmente tela delgada y/o la piel.

En caso de recomendarse el uso de una carcasa de protección, evite que el cepillo de alambre alcance a rozar contra la carcasa de protección. Los cepillos de plato y de vaso pueden aumentar su diámetro por efecto de la presión de aplicación y de la fuerza centrífuga.

Instrucciones de seguridad adicionales

No use una herramienta eléctrica dañada. Antes de cada uso controle que la carcasa y demás componentes de la herramienta eléctrica no presenten daños como grietas o roturas.

Utilice los platos elásticos intermedios si éstos se suministran junto con el útil de amolar.

Asegúrese de que los útiles vayan montados según instrucciones del fabricante. Los útiles montados deberán girar sin rozar en ningún lado. Los útiles incorrectamente montados pueden aflojarse durante el trabajo y salir despedidos.

Trate cuidadosamente los útiles y guárdelos según instrucciones del fabricante. Los útiles dañados pueden fisurarse y desintegrarse durante el trabajo.

En los útiles dotados con una rosca de fijación, observe que la longitud de la misma sea suficiente para que pueda penetrar hasta el fondo el husillo de la herramienta eléctrica. El útil deberá tener el mismo tipo de rosca de fijación que el husillo. Los útiles incorrectamente montados pueden aflojarse durante el funcionamiento y causar accidentes.

No oriente la herramienta eléctrica contra Ud. mismo, contra otras personas, ni contra animales. Podría accidentarse con los útiles afilados o muy calientes.

Preste atención a los conductores eléctricos y a las tuberías de agua y gas ocultas. Antes de comenzar a trabajar explore la zona de trabajo, p. ej., con un detector de metales.

Use un equipo de aspiración estacionario y sople con frecuencia las rejillas de refrigeración En caso de trabajar metales bajo unas condiciones extremas puede llegar a depositarse polvo conductor de corriente en el interior de la herramienta eléctrica. Ello puede reducir la eficacia del aislamiento de protección de la herramienta eléctrica.

Esta prohibido fijar rótulos o señales a la herramienta eléctrica con tornillos o remaches. Un aislamiento dañado no le protege de una electrocución.

Siempre use la empuñadura adicional al trabajar. La empuñadura adicional permite guiar con seguridad la herramienta eléctrica.

Jamás mire a poca distancia hacia la luz de la lámpara de la herramienta eléctrica. Nunca dirija la luz de la lámpara contra los ojos de otras personas que se encuentren cerca. La radiación que emite la lámpara puede ser dañina para la vista.

Tras trabajar en materiales que contengan yeso: Limpie las rejillas de refrigeración de la herramienta eléctrica y del mando del switch con aire comprimido seco y sin aceite. De lo contrario, puede que se deposite el polvo de yeso en la carcasa de la herramienta eléctrica y en el mando del switch y endurecerse por efecto de la humedad del aire. Esto puede afectar al funcionamiento del switch.

Utilización y trato de acumuladores (conjunto acumulador)

Estas indicaciones de seguridad son solo válidas para baterías de iones de litio de 18V AMPShare de FEIN.

Solo use la batería en productos de los socios AMPShare. Las baterías de 18V con marcado AMPShare son totalmente compatibles con los productos siguientes:

- todos los productos del sistema AMPShare de 18V de FEIN
- todos los productos de los socios de AMPShare.

Si se utilizan o recargan baterías incorrectas, dañadas, reparadas, recuperadas, imitaciones o de otra marca, existe el riesgo de incendio y/o de explosión.

Observe las recomendaciones sobre baterías en las instrucciones de uso de su producto. Solo así pueden funcionar sin peligro la batería y el producto, además de protegerse las baterías contra una sobrecarga peligrosa.

Solo cargue las baterías con los cargadores que FEIN o un socio AMPShare recomienda. Si intenta cargar baterías de un tipo diferente al previsto para el cargador, puede producirse un incendio.

La batería se suministra parcialmente cargada. Para obtener el pleno rendimiento de la batería, cargarla completamente en el cargador antes de su primer uso.

Guarde las baterías fuera del alcance de los niños.

Las baterías no deben desarmarse, abrirse, ni fraccionarse. Evite que las baterías sean golpeadas. Si la batería se daña o usa de forma inapropiada pueden emanarse vapores nocivos o fugarse líquido. Los vapores pueden irritar las vías respiratorias. El líquido de la batería puede irritar la piel o producir quemaduras.

En caso de contacto con la piel del líquido de la batería, enjuagar de inmediato con abundante agua la zona afectada. ¡Si el líquido alcanza a penetrar en los ojos, enjuáguelos con abundante agua limpia y acuda de inmediato a un médico!

Si el líquido de la batería ha tocado las piezas adyacentes, controle dichas piezas. Use guantes de protección para evitar un contacto con la piel. Limpie las piezas con papel de cocina seco o sustituya las piezas, si fuese necesario. Los vapores emanados pueden irritar las vías respiratorias. El líquido de la batería puede irritar la piel o producir quemaduras.

No cortocircuite la batería. Si no utiliza la batería, guárdela separada de clips, monedas, llaves, clavos, tornillos o demás objetos metálicos que pudieran puentear sus contactos. Un cortocircuito entre los contactos de la batería puede causar quemaduras o un incendio.

Los objetos con punta como, p. ej., clavos o desarmadores y la aplicación de fuerzas externas pueden dañar la batería. Ello puede causar un cortocircuito interno y hacer que la batería se incendie, que eche humo, explote o se sobrecaliente.

Jamás dé mantenimiento a baterías dañadas. Todos los trabajos de mantenimiento en baterías solo los realizarán el fabricante o los servicios técnicos autorizados para ello.



Proteja la batería del calor, p. ej., también de una exposición prolongada al sol, del fuego, suciedad, agua y de la humedad. Existe el riesgo de explosión o cortocircuito.

Solo utilice o almacene la batería a una temperatura ambiente situada entre -20 °C y +50 °C. No deje p. ej. la batería en el coche en verano. A temperaturas < 0 °C puede presentarse una reducción de la potencia según el tipo de aparato.

Solo cargue la batería a una temperatura ambiente situada entre 0 °C y +35 °C. Solo cargue baterías con conector USB a través del mismo y a una temperatura ambiente entre +10 °C y +35 °C. La carga fuera de este rango de temperatura puede dañar la batería o aumentar el riesgo de incendio.

Trate con cuidado las baterías descargadas. Los baterías suponen una fuente de peligro ya que la corriente de cortocircuito obtenida puede ser muy alta. Incluso cuando las baterías iones de litio aparenten estar descargadas nunca lo están del todo.

No sumerja la batería en líquidos como agua dulce/salada o bebidas. El contacto con líquidos puede dañar la batería. Esto puede hacer que la batería se caliente, eche humo, se incendie o explote. No siga usando la batería y acuda a un servicio técnico autorizado FEIN.

No use una batería dañada. La batería se dejará de usar de inmediato si se detecta una anomalía en la misma, p. ej., al percibir un olor, calor, decoloración o deformación. Si aún así se sigue usando, la batería se puede sobrecalentar, echar humo, incendiarse o explotar.

No abrir, aplastar, sobrecalentar ni quemar la batería. En caso de no atenerse a ello corre peligro de quemarse o de provocar un incendio. Aténgase a las instrucciones del fabricante.

Extinga las baterías de iones de litio incendiadas, con agua, arena o una manta ignífuga.

Evite los golpes/impactos físicos. Los golpes y la penetración de objetos pueden dañar las baterías. Esto puede provocar fugas en la batería o que se caliente, eche humo, se incendie o explote.

Jamás deje cargando sola la batería durante la noche. En caso de no atenerse a ello existe el riesgo de incendio o explosión

Únicamente saque la batería del embalaje original en el momento en que desee utilizarla.

Solamente desmonte la batería estando desconectada la herramienta eléctrica.

Desmonte la batería antes de trabajar en la herramienta eléctrica. Si la herramienta eléctrica se pone en marcha sin querer ello puede causar un accidente.

Proteja la batería de la humedad y del agua. Si los contactos de la batería y de la herramienta eléctrica están sucios límpielos con un paño seco y limpio.

Desmonte la batería de la herramienta eléctrica antes de transportarla y de guardarla.

Aténgase a las indicaciones de seguridad en las instrucciones de uso de los cargadores de FEIN o de los socios de AMPShare.

Tratamiento de materiales en polvo peligrosos.

⚠ ADVERTENCIA Al trabajar con herramientas, p. ej., al lijar, pulir, serrar o realizar otros trabajos con arranque de material, los polvos que se producen pueden ser nocivos para la salud, autoinflamables o explosivos.

El contacto o inspiración de ciertos materiales en polvo puede provocar en el usuario, o en las personas circundantes, reacciones alérgicas y/o enfermedades respiratorias, cáncer, daños congénitos u otros trastornos reproductivos.

A continuación, indicamos algunos de estos materiales junto con los productos químicos que contienen, cuyo polvo producido al trabajar, puede ser nocivo para la salud:

- Amianto y materiales que contengan amianto;
- Pinturas que contengan plomo, ciertos tipos de madera como, p. ej., haya, encino y roble;
- Minerales y metales;
- Partículas de sílice de ladrillo, concreto y demás materiales que contengan mineral;
- Los solventes que contienen ciertas pinturas;
- Arsénico, cromo y otros conservadores de la madera;
- Materiales para combatir parásitos en cascos de botes o barcos;
- Polvos de acero inoxidable, de metales y de metales no férricos.

Para que la exposición a estos materiales sea mínima:

- Utilice un equipo de aspiración apropiado para el polvo producido.
- Use equipos de protección personal como, por ejemplo, una mascarilla guardapolvo con un filtro de la clase P2.
- Observe que esté bien ventilado el puesto de trabajo.

El riesgo derivado de la inspiración de polvo depende de la frecuencia con la que se procesen estos materiales. Los materiales que contengan amianto solamente deberán ser procesados por especialistas.

⚠ ATENCIÓN El polvo de madera y el de aleaciones ligeras puede autoinflamarse o provocar una explosión.

Si en el saco filtrante o en el filtro del aspirador, el polvo caliente producido al lijar se mezcla con restos de pintura, poliuretano, u otras materias químicas, puede que ésta se autoincendie bajo condiciones desfavorables como, p. ej., el salto de chispas al lijar metales, la exposición permanente y directa al sol, o una temperatura ambiente elevada. Para prevenir esta situación:

- Evite que se sobrecalienten la pieza de trabajo y la herramienta eléctrica.
- Vacíe el depósito de polvo con suficiente antelación.
- Observe las instrucciones de elaboración del fabricante del material.
- Considere las prescripciones vigentes en su país sobre los materiales a trabajar.

Vibraciones en la mano/brazo.

⚠ ADVERTENCIA **Al trabajar con esta herramienta eléctrica se producen vibraciones en la mano y el brazo.** Ello puede llegar a afectar su salud.

⚠ ADVERTENCIA Las vibraciones generadas durante la aplicación actual de la herramienta eléctrica puede ser diferente del valor indicado, según el modo en que sea utilizada la herramienta.

⚠ ADVERTENCIA Con el fin de proteger al usuario, es necesario fijar medidas de seguridad en base a una estimación de la exposición resultante bajo las condiciones de uso actuales.

El nivel de vibraciones indicado en estas instrucciones ha sido determinado según el procedimiento de medición fijado en la norma EN 60745 y puede servir como base de comparación con otras herramientas eléctricas. También es adecuado para estimar provisionalmente la emisión de vibraciones.

El nivel de vibraciones indicado ha sido

determinado para las aplicaciones principales de la herramienta eléctrica. Por ello, el nivel de vibraciones puede ser diferente si la herramienta eléctrica se utiliza en otras aplicaciones, con útiles diferentes, o si el mantenimiento de la misma fuese deficiente. Ello puede suponer un aumento drástico de la emisión de vibraciones durante el tiempo total de trabajo.

Para determinar con exactitud la emisión de las vibraciones, es necesario considerar también aquellos tiempos en los que el aparato esté desconectado, o bien, esté en funcionamiento, pero sin ser utilizado realmente. Ello puede suponer una disminución drástica de la emisión de vibraciones durante el tiempo total de trabajo.

Fije unas medidas de seguridad adicionales para proteger al usuario de los efectos por vibraciones, como por ejemplo: Mantenimiento de la herramienta eléctrica y de los útiles, conservar calientes las manos, organización de las secuencias de trabajo.

Emisión de ruidos y vibraciones (indicación de dos cifras según ISO 4871)

Emisión de ruido	CCG18-125-10 AS (**)	CCG18-125-10PD AS (**)
Nivel de de presión sonora L_{pA} (re 20 μ Pa), medido con filtro A en el puesto de trabajo, en decibelios	86.2	86.3
Inseguridad K_{pA} , en decibelios	3	3
Nivel de potencia acústica L_{wA} (re 1 pW), medido con filtro A, en decibelios	97.2	97.3
Inseguridad K_{wA} , en decibelios	3	3
Valor pico del nivel de presión sonora L_{pCpeak} medido con filtro C en el puesto de trabajo, en decibelios	99.6	99.5
Inseguridad K_{pCpeak} en decibelios	3	3
Vibración		
Vibraciones promedio generadas al amolar		
- m/s^2	4.7	4.9
- m/s^2	15.4	16.1
Vibraciones promedio emitidas al lijar con hoja de lija		
- m/s^2	1.4	1.5
- m/s^2	4.6	4.9
Inseguridad K , en		
- m/s^2	1.5	1.5
- ft/s^2	4.9	4.9

OBSERVACIÓN: la suma de los valores emitidos medidos, considerando la inseguridad respectiva, representa el límite superior que puede alcanzarse en las mediciones.



¡Utilizar unos protectores acústicos!

Valores de medición determinados según normativa del producto pertinente.

Utilización reglamentaria de la herramienta eléctrica:






















Amoladora angular portátil a batería para amolar y trabajar con cepillos de alambre, así como para tronzar metal y piedra en lugares cubiertos con los útiles y accesorios homologados por FEIN.









En lugares con perturbaciones puede que disminuya la calidad operacional, ya sea por una falla transitoria o por una degradación temporal del funcionamiento o del comportamiento funcional reglamentario, que precisarán de la intervención por el operario para corregirlas.

La herramienta eléctrica no ha sido prevista para procesar plástico ni para pulir. La responsabilidad por daños derivados de una utilización no reglamentaria corre a cargo exclusivo del usuario.

Se deberán respetar las prescripciones contra accidentes de aplicación general y las indicaciones de seguridad adjuntas.

Simbología.

Símbolo	Definición
	Símbolo de prohibición general. Esta acción está prohibida.
	No tocar las piezas en rotación de la herramienta eléctrica.
	¡Seguir las instrucciones indicadas al margen!
	Es imprescindible leer los documentos que se adjuntan, como las instrucciones de servicio y las instrucciones generales de seguridad.
	AMPShare es el sistema de batería compartido que le permite usar muchas herramientas de muchas marcas profesionales con tan solo una batería.
	Antes de efectuar el trabajo descrito retire primero el acumulador de la herramienta eléctrica. De lo contrario, podría accidentarse al ponerse en marcha fortuitamente la herramienta eléctrica.
	Al trabajar protegerse los ojos.
	Al trabajar utilizar un protector acústico.
	Al trabajar utilizar una protección para las manos.
	No cargue baterías defectuosas.
	Proteja la batería del calor, p. ej., también de una exposición prolongada al sol, del fuego, suciedad, agua y de la humedad.
	Existe el riesgo de quemarse con una superficie muy caliente.
	Conexión
	Desconexión
	bloqueado
	desbloqueado
	Atestigua la conformidad de la herramienta eléctrica con las directivas de la Comunidad Europea.
	Este símbolo confirma que este producto ha sido certificado en USA y Canadá.
	Este símbolo advierte sobre una situación peligrosa inminente. Un comportamiento incorrecto puede dar lugar a una lesión grave o incluso mortal.
	Este símbolo advierte sobre una situación peligrosa que puede comportar lesiones graves o mortales.
	Este símbolo advierte sobre una situación peligrosa en la que pudiera lesionarse.

Símbolo	Definición
	Símbolo de reciclaje: identificación de materiales reciclables
	Acumular por separado las herramientas eléctricas y demás productos electrotécnicos y eléctricos inservibles y someterlos a un reciclaje ecológico.
	Tipo de batería
	Tipo de cargador
	Producto dotado con un aislamiento doble o reforzado
	Baja velocidad
	Alta velocidad
	Apriete firmemente la herramienta de aplicación con una llave adecuada.
(Ax - Zx)	Identificación para fines internos
(**)	Puede contener cifras o letras
***	equipamiento suministrado en parte

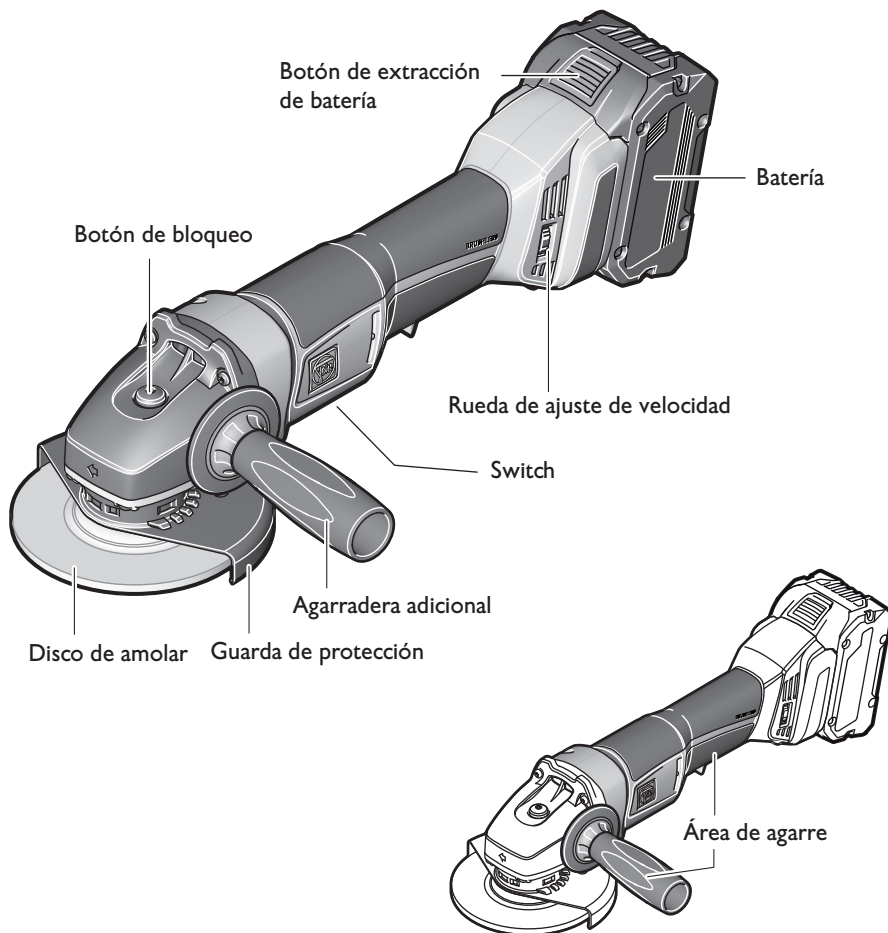
Símbolo	Unidad internacional	Definición
n_0	rpm; /min; min^{-1} ; r/min	Revoluciones en vacío
P	W	Unidad de medida de la potencia
	°	Unidad de medida del ángulo
U	V	Unidad de medida de la tensión eléctrica
f	Hz	Unidad de medida de la frecuencia
I	A	Unidad de medida de la intensidad
m	kg, lbs	Unidad de medida de la masa
l	ft, in	Unidad de medida para la longitud, ancho, altura, profundidad, diámetro o roscas
\emptyset	ft, in	Diámetro de una pieza redonda
a	m/s^2	Valor de vibraciones emitidas según norma EN 60745 (suma vectorial de tres direcciones)
	m, s, kg, A, mm, V, W, Hz, N, °C, dB, min, m/s^2	Unidades básicas y unidades derivadas del sistema internacional de unidades SI .

Descripción técnica y especificaciones.

⚠ ADVERTENCIA **Desmonte la batería antes de montar o cambiar los útiles y accesorios.** Esta medida de seguridad preventiva evita los accidentes que pudieran presentarse en caso de una puesta en marcha involuntaria.

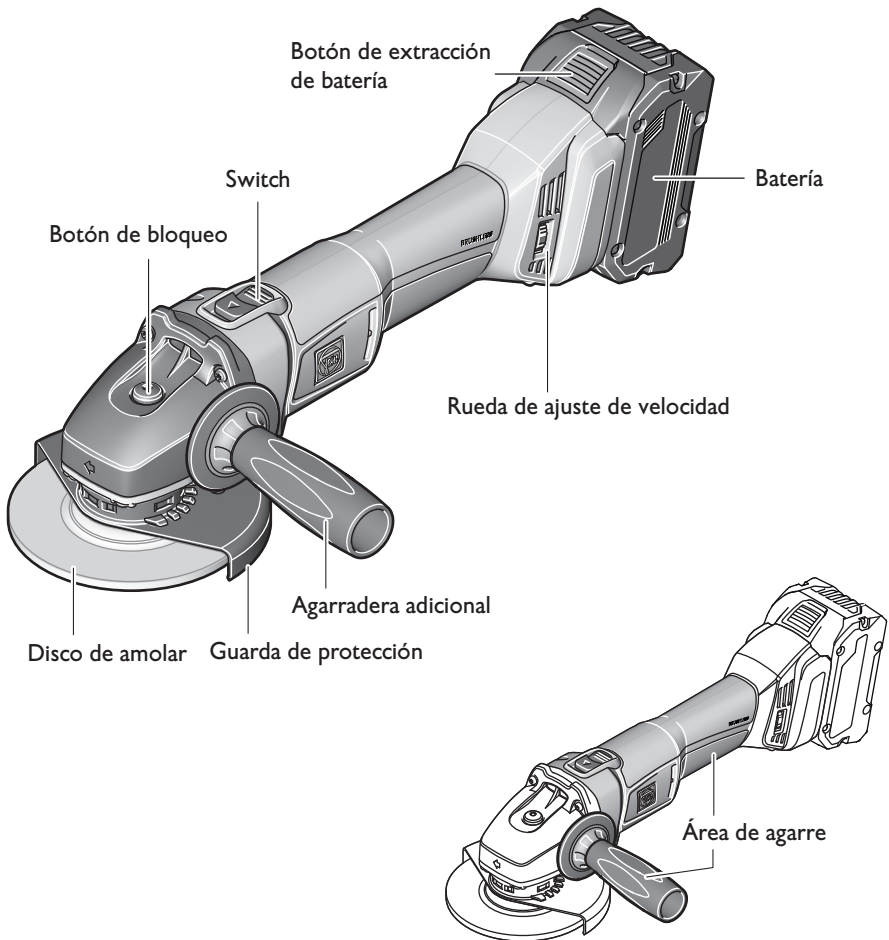
El material de serie suministrado con su herramienta eléctrica puede que no corresponda en su totalidad al material descrito o mostrado en estas instrucciones de servicio.

Fig. 1





CCG18-125-10PD AS (**)

Fig. 2



CCG18-125-10 AS (**)

Tipo	CCG18-125-10 AS (**)	CCG18-125-10PD AS (**)
Nº de referencia	7 120 ...	7 120 ...
Tensión nominal	18 V ⁻⁻⁻	18 V ⁻⁻⁻
Revoluciones en vacío	2500 – 8500 rpm	2500 – 8500 rpm
Diámetro máx. del disco de desbaste o de corte	5 in 125 mm	5 in 125 mm
Diámetro del alojamiento	7/8 in 22.23 mm	7/8 in 22.23 mm
Grosor del disco de desbaste/corte	1/16 in – 1/4 in 1 mm – 6 mm	1/16 in – 1/4 in 1 mm – 6 mm
Diámetro máx. del plato lijador	5 in 125 mm	5 in 125 mm
Rosca de la brida de apriete	5/8 in – 11UNC	5/8 in – 11UNC
Longitud del husillo roscado	3/4 in 20 mm	3/4 in 20 mm
Rosca de brida de apriete de cepillo cónico de alambre de acero	5/8 in – 11UNC	5/8 in – 11UNC
Diámetro máx. de cepillo cónico de alambre de acero	4 1/2 in 115 mm	4 1/2 in 115 mm
Rosca de brida de apriete de cepillo de vaso	5/8 in – 11UNC	5/8 in – 11UNC
Diámetro máx. de cepillo de vaso	2 1/2 in 65 mm	2 1/2 in 65 mm
Longitud máx. de alambre	3/4 in 20 mm	3/4 in 20 mm
Rosca de brida de apriete de corona de perforación diamantada	5/8 in – 11UNC	5/8 in – 11UNC
Diámetro máx. de corona de perforación diamantada	2 2/3 in 68 mm	2 2/3 in 68 mm
Peso según EPTA-Procedure 01 (herramienta eléctrica sin batería y sin útil)	4.2 lbs 1.9 kg	4.2 lbs 1.9 kg

Tipo	CORE 18V 8 Ah GBA18V80	CORE 18V 12 Ah GBA18V120
		
Tipo de batería	Lithium Ion	Lithium Ion
Tensión nominal	18V ⁻⁻⁻	18V ⁻⁻⁻
Peso según EPTA-Procedure 01 (Batería)	2.12 lbs 0.96 kg	2.98 lbs 1.35 kg
Cargador	BC1880, GAL 18V-160	

Instrucciones de montaje.

⚠ ADVERTENCIA **Desmonte la batería antes de montar o cambiar los útiles y accesorios.** Esta medida de seguridad preventiva evita los accidentes que pudieran presentarse en caso de una puesta en marcha involuntaria.

Desmontaje y carga de la batería (Figura 3).

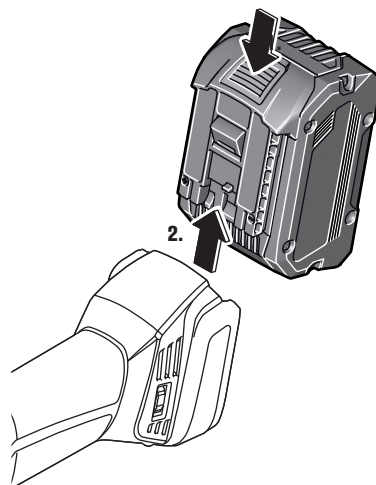
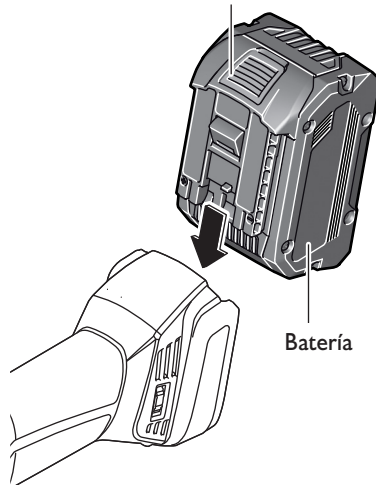
- ❗ Lea las instrucciones de uso del cargador antes de cargar por primera vez la batería.
- ❗ Antes de la puesta en marcha, cargue completamente la batería.

Libere la batería presionando el botón de extracción y sáquela hacia delante de la agarradera. No proceda con brusquedad.

Conecte el cargador al enchufe, inserte en éste la batería y cargue la batería. Una vez finalizado el proceso de carga monte la batería en la herramienta eléctrica y saque la clavija del cargador del enchufe.

Una batería nueva alcanza su plena potencia después de haber sido cargada y descargada varias veces.



Fig. 3 Botón de extracción de batería



Trato del acumulador.

Guarde, utilice y cargue la batería dentro del rango de operación de 5°C a 45°C (41°F a 113°F), y cárguela exclusivamente con cargadores FEIN. Al comenzar a cargar la batería, su temperatura deberá estar dentro del rango especificado para su operación.

Indicador del estado de carga de la batería (Figura 4).

El nivel de carga se puede visualizar en los LED verdes de indicación del estado de carga de la batería. Presione el botón de indicación del estado de carga  o  para visualizar el nivel de carga.

Indicador LED	Significado	Acción
1 – 4 LED verdes	Nivel porcentual de carga	Operación
Luz roja permanente	Acumulador casi vacío	Cargar acumulador
Luz roja intermitente	El acumulador no está listo para funcionar	Procure que la temperatura del acumulador se encuentre dentro del margen de operación, y cárguelo a continuación

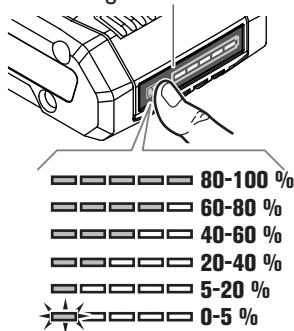
El porcentaje del estado de carga real del acumulador solamente se indica estando detenido el motor de la herramienta eléctrica.

Antes de que el acumulador llegue a descargarse excesivamente, el sistema electrónico desconecta el motor de forma automática.

La batería está dañada y debe cambiarse, si al pulsar el botón de indicación del estado de carga no se enciende ningún LED.

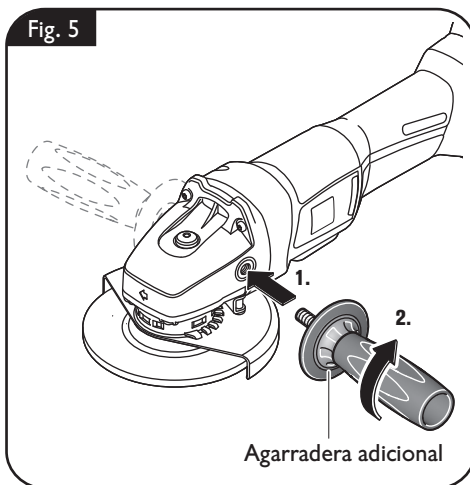
Fig. 4

Indicador del estado de carga de la batería



Montaje de la agarradera adicional (Figura 5).

Dependiendo de la aplicación, enrosque la agarradera adicional a la derecha o izquierda de la herramienta eléctrica.

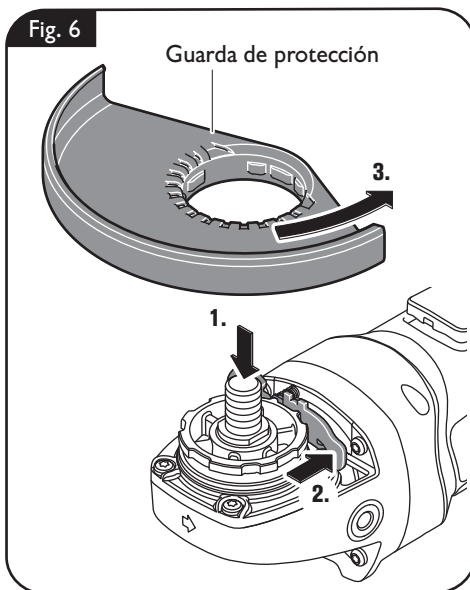


Montaje de la guarda de protección (Figura 6).

Aloje los salientes de la guarda de protección en las ranuras de la herramienta eléctrica.

Presione la palanca de bloqueo y gire la guarda de protección a la posición de trabajo deseada.

Enclave la palanca de bloqueo.



Cambio de útil.

ADVERTENCIA Desmonte la batería antes de montar o cambiar los útiles y accesorios. Esta medida de seguridad preventiva evita los accidentes que pudieran presentarse en caso de una puesta en marcha involuntaria.

Montaje del disco de amolar (Figura 7).

❗ Solamente accione el botón de bloqueo estando detenido el motor.

Presione y mantenga apretado el botón de bloqueo. Afloje la tuerca de sujeción rápida.

👉 Desenrosque la tuerca de sujeción rápida.

⚠ Sustituya el útil.

❗ Al realizar esto, preste atención a que el útil quede bien centrado con la brida soporte y la tuerca de sujeción rápida.

Vuelva a enroscar a mano la tuerca de sujeción rápida.

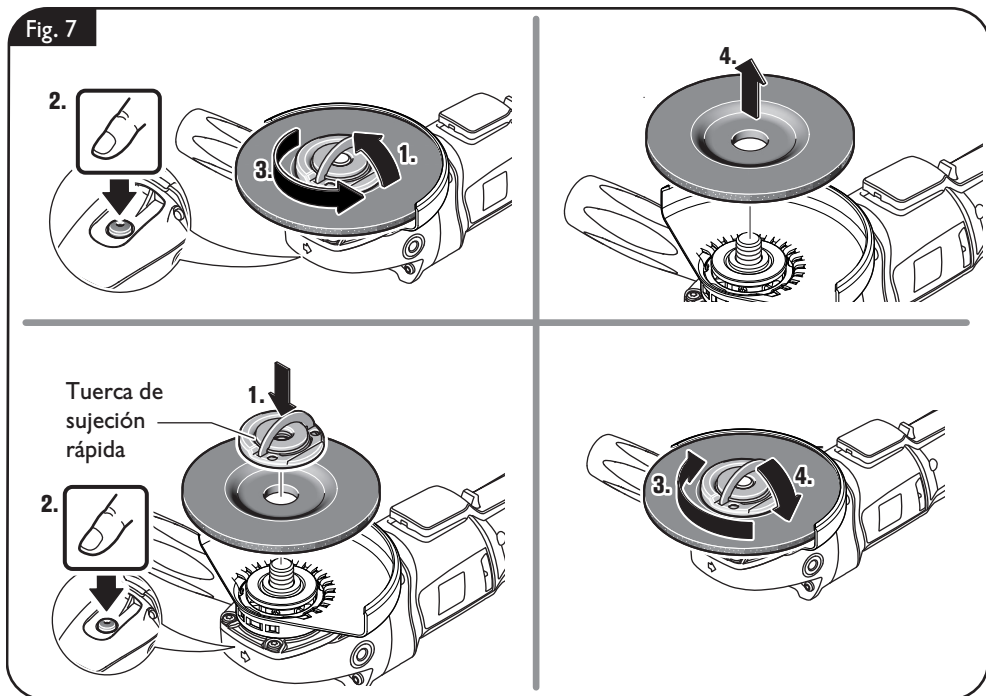
Presione completamente y mantenga apretado el botón de bloqueo. Apriete firmemente la tuerca de sujeción rápida.

Observación: Observe la dirección de montaje de la tuerca de sujeción rápida.

Antes de cada uso, apriete firmemente la herramienta de aplicación.

Los discos de amolar con centro deprimido deberán montarse de manera que la cara de amolar quede 2 mm por debajo del borde inferior de la guarda de protección. Las muelas que no cumplan con estas exigencias no pueden ser suficientemente protegidas y no son admisibles.

Fig. 7



Ajustes.

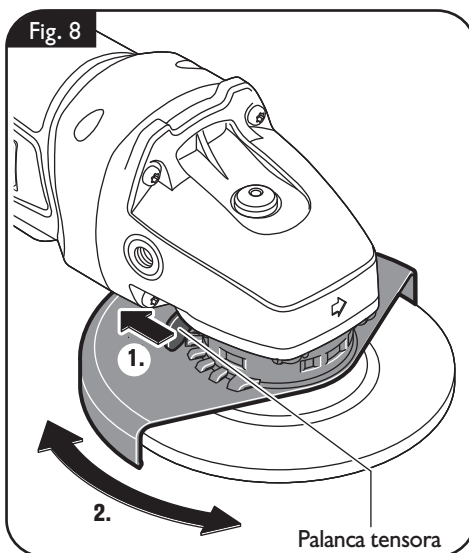
⚠ ADVERTENCIA **Desmonte la batería antes de montar o cambiar los útiles y accesorios.** Esta medida de seguridad preventiva evita los accidentes que pudieran presentarse en caso de una puesta en marcha involuntaria.

Ajuste de la guarda de protección (Figura 8).

Afloje la palanca de sujeción.

Gire la guarda de protección a la posición de trabajo requerida y fije la misma con la palanca de sujeción.

Enclave la palanca de bloqueo.

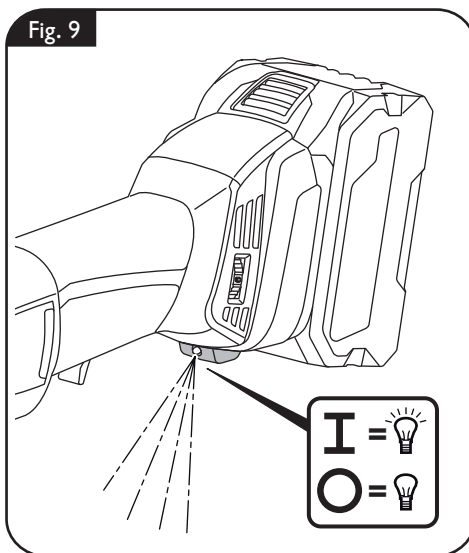


Iluminación (Figura 9).

⚠ ADVERTENCIA **Jamás mire a poca distancia hacia la luz de la lámpara de la herramienta eléctrica. Nunca dirija la luz de la lámpara contra los ojos de otras personas que se encuentren cerca.** La radiación que emite la lámpara puede ser dañina para la vista.

Al accionar el switch se enciende la lámpara.

Al soltar el switch la lámpara se mantiene todavía encendida brevemente y se desconecta después automáticamente.



Instrucciones para la operación.

⚠ ADVERTENCIA **Desmonte la batería antes de montar o cambiar los útiles y accesorios.** Esta medida de seguridad preventiva evita los accidentes que pudieran presentarse en caso de una puesta en marcha involuntaria.

ⓘ Solamente use los útiles que FEIN haya previsto y autorizado para el trabajo que vaya a realizar.

Conexión y desconexión.

⚠ ATENCIÓN **Siempre sujete firmemente la herramienta eléctrica.** En

caso contrario podría perder el control sobre la herramienta eléctrica.

La **protección contra re arranque** evita que la amoladora angular a batería vuelva a arrancar automáticamente tras un corte de la corriente, p. ej., al cambiar la batería. En ese caso desconecte la herramienta eléctrica, sáquela de la pieza de trabajo e inspeccione el útil. A continuación, vuelva a conectar la herramienta eléctrica.

Para obtener un rendimiento óptimo, solo use la herramienta eléctrica con baterías FEIN CORE o baterías CORE de los socios AMPShare. Si se utiliza otro tipo de baterías, la gama de funciones puede verse limitada.

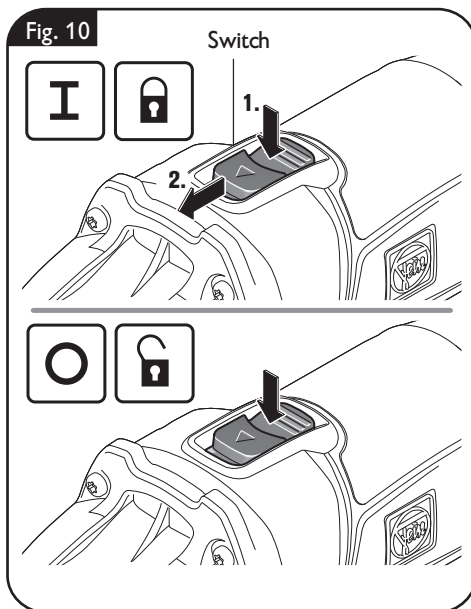
CCG18-125-10 AS (**) (Figura 10).

Conexión:

Presione y empuje hacia delante el switch (I).

Desconexión:

Presione el switch hacia abajo (O).

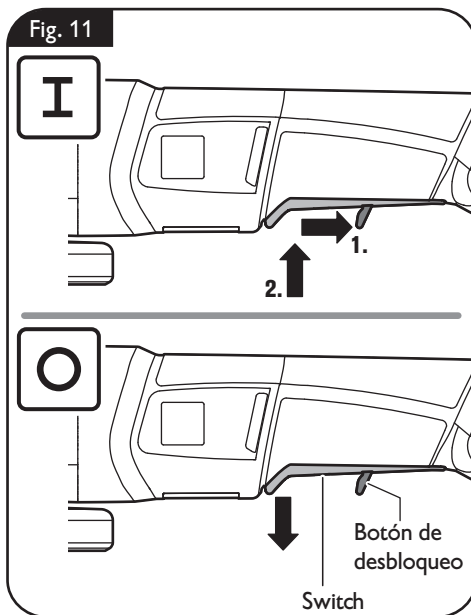


CCG18-125-10PD AS () (Figura 11).****Conexión:**

Empuje hacia delante el botón de desbloqueo. Presione el switch.

Desconexión:

Suelte el switch.

**Indicaciones de manejo adicionales.**

La protección contra re arranque evita que la herramienta eléctrica se ponga a funcionar automáticamente al insertar la batería teniendo accionado el interruptor.

Si la herramienta eléctrica se desconecta sin haberse accionado el switch, desconecte el switch de la herramienta eléctrica, desmonte la batería, y vuélvala a montar.

Ajuste del campo de revoluciones (Figura 12).

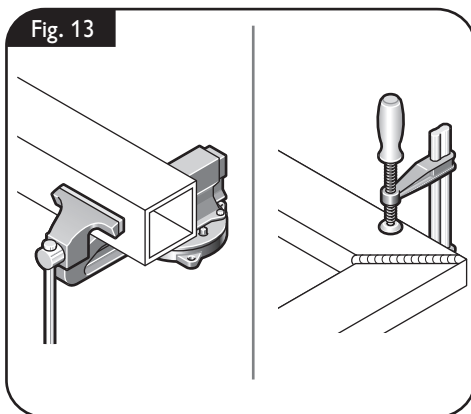
Las revoluciones pueden variarse de forma continua dentro de los campos de revoluciones ilustrados en la figura.

Seleccione en la rueda de ajuste una posición entre “1” (revoluciones mínimas) y “6” (revoluciones máximas).



Sujeción de la pieza de trabajo (Figura 13).

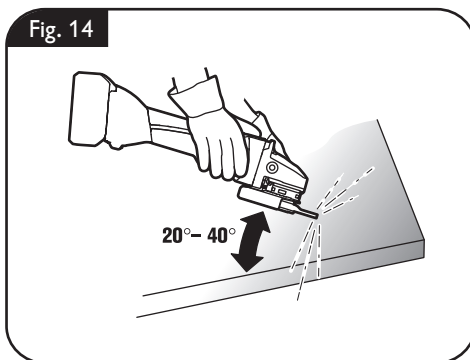
- ⚠ **Sujete correctamente la pieza de trabajo.** Una pieza de trabajo incorrectamente sujeta puede provocar, p. ej., que se atore y rebote bruscamente el útil, que se caiga la pieza de trabajo, u otros tipos de incidente peligrosos.



Amolado en seco (Figura 14).

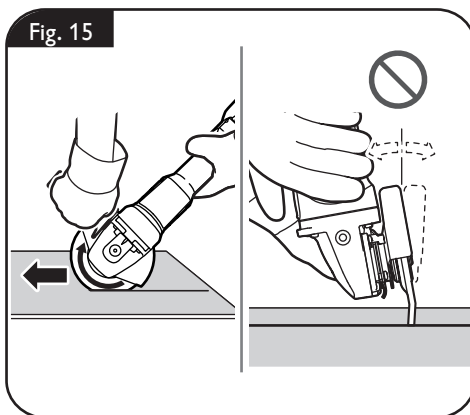
Guíe la herramienta manteniendo un ángulo de inclinación de $20 - 40^\circ$. De esta manera conseguirá un buen arranque de material.

- ⚠ Presione uniformemente la herramienta eléctrica, moviéndola sobre la superficie.
- ⚠ Evite que la pieza de trabajo se caliente excesivamente.



Tronzado (Figura 15).

- ⚠ Siempre guíe la herramienta eléctrica en dirección opuesta al sentido de giro del disco de corte para evitar que éste se salga de la ranura de corte.



Reparación y servicio técnico.

⚠ ADVERTENCIA **Desmonte la batería antes de montar o cambiar los útiles y accesorios.** Esta medida de seguridad preventiva evita los accidentes que pudieran presentarse en caso de una puesta en marcha involuntaria.

Piezas sustituibles.

Si fuese preciso, puede sustituir Ud. mismo las piezas siguientes:

Útiles, agarradera adicional, tuerca de sujeción rápida., guarda de protección

Al trabajar materiales que contengan yeso se puede llegar a depositar su polvo en la carcasa de la herramienta eléctrica y en el mando del switch y endurecerse por efecto de la humedad del aire. Esto puede afectar al funcionamiento del switch. Sople con frecuencia con aire comprimido seco y sin aceite el mando del switch, así como el interior de la herramienta eléctrica por las rejillas de refrigeración.

Los productos que hayan tenido contacto con asbesto no se harán reparar. Deseche los productos contaminados con asbesto de acuerdo a las prescripciones vigentes en su país sobre la eliminación de residuos que contengan asbesto.

Diríjase a un servicio técnico FEIN si necesita reparar una herramienta eléctrica FEIN o un accesorio. La dirección la encuentra en internet bajo www.fein.com.

Sustituya las etiquetas y las advertencias de peligro autoadhesivas en la herramienta eléctrica si ya no son legibles.

La lista de piezas de refacción actual para esta herramienta eléctrica la encuentra en internet bajo www.fein.com.

Solo emplee refacciones originales.

Servicio técnico.

⚠ ADVERTENCIA **Únicamente deje realizar los trabajos de mantenimiento por un profesional.** Las líneas y componentes mal montados pueden suponer un grave peligro. Deje efectuar el servicio requerido por un servicio técnico FEIN.

Limpieza.

⚠ ADVERTENCIA **Desmonte la batería antes de realizar trabajos de mantenimiento y limpieza.** Esta medida de seguridad preventiva evita los accidentes que pudieran presentarse en caso de una puesta en marcha involuntaria.

⚠ ADVERTENCIA **Al trabajar en ambientes cargados con polvo conductor de corriente, p. ej., en lugares que procesen metales, este polvo puede llegar a depositarse en el interior de la herramienta eléctrica. Por ello, sople con regularidad desde afuera aire comprimido seco por las rejillas de refrigeración para limpiar el interior de la herramienta eléctrica; utilice siempre unos lentes de protección.**

⚠ ATENCIÓN No intente limpiar las rejillas de refrigeración de la herramienta eléctrica con objetos metálicos en punta, emplee para ello objetos que no sean de metal.

⚠ ATENCIÓN **No aplique agentes de limpieza ni disolventes que pudieran atacar a las piezas de plástico.** Algunos de estos agentes son: gasolina, tetracloruro de carbono, disolventes clorados, amoníaco y detergentes domésticos que contengan amoníaco.

Limpie periódicamente las rejillas de refrigeración de su herramienta eléctrica y los contactos de la batería con un pincel blando, limpio y seco.

- No use sustancias químicas para limpiar la batería.

Garantía.

La garantía del producto se realiza de acuerdo a las regulaciones legales vigentes en el país de adquisición. Adicionalmente, FEIN ofrece una garantía ampliada de acuerdo con la declaración de garantía del fabricante FEIN.

El material de serie suministrado con su herramienta eléctrica puede que no corresponda en su totalidad al material descrito o mostrado en estas instrucciones de servicio.

Protección del medio ambiente, eliminación.



No arroje las baterías inservibles a la basura.

Los embalajes, y las herramientas eléctricas y accesorios inservibles deberán entregarse a los puntos de recogida correspondientes para que puedan ser sometidos a un reciclaje ecológico.

Únicamente entregue acumuladores que estén descargados a un punto de recogida regularizado.

Si los acumuladores no estuviesen totalmente descargados aisle sus contactos con cinta adhesiva para prevenir un posible cortocircuito.

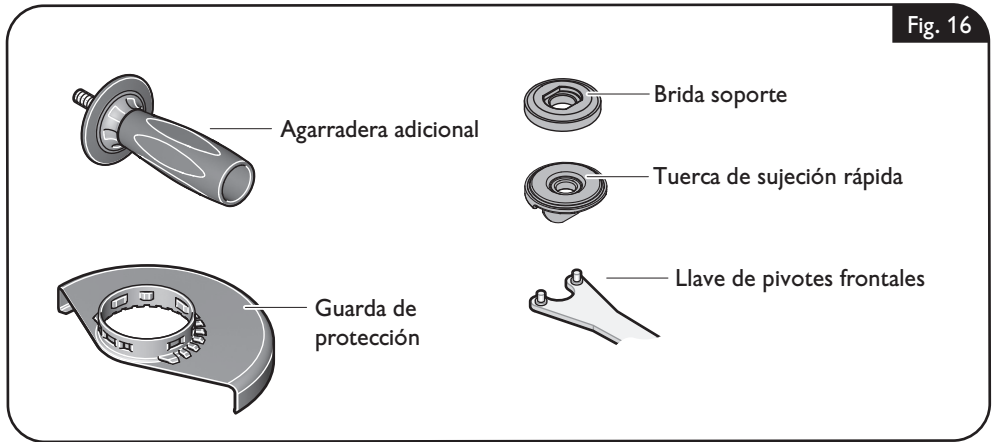
Transporte.

Las baterías de iones de litio están sujetas a los requisitos estipulados en la legislación sobre mercancías peligrosas. El usuario puede transportar las baterías por carretera sin más imposiciones.

En caso de un envío por terceros (p. ej., transporte aéreo o agencia de transportes) se deberán considerar las exigencias especiales en cuanto a su embalaje e identificación. En ese caso deberá consultar a un experto en mercancías peligrosas al preparar la pieza para su envío.

Únicamente envíe baterías si su carcasa no está dañada. Pegue con cinta adhesiva los contactos desprotegidos y embale la batería de manera que ésta no se pueda mover dentro del embalaje. Considere también las prescripciones adicionales que puedan existir al respecto en su país.

Accesorios incluidos en el suministro (figura 16).



Accesorios disponibles (figuras 17– 18).

Únicamente utilice accesorios originales FEIN. Los accesorios deberán ser los apropiados para el tipo de herramienta eléctrica utilizado.

- A-1** Guarda de protección para cortar, tipo A
- B-1** Guarda de protección para esmerilar, tipo B
- B-2** Guarda de protección para esmerilar, tipo B (hubbed wheel)
- B-3** Cubierta de protección para trabajos de corte
- 1-1** Disco de desbastar, tipo 27
- 1-2** Disco de montaje a rosca (hubbed wheel)
(usar solo teniendo montada la guarda de protección, use una llave fija adecuada)
- 2-1** Disco de corte
(solo emplear teniendo montada la cubierta de protección)
- 3-1** Disco lijador de láminas
- 3-2** Plato soporte para discos lijadores de fibra, discos lijadores de fibra
(solo montarlos con los elementos de sujeción del plato de apoyo suministrados)
- 3-3** Plato lijador con cierre Velcro, hojas de lijar y vellón de lijar con cierre de cardillo, esponjas (use una llave fija adecuada)
- 4-1** Cepillo cónico de alambre de acero
- 4-2** Cepillo de vaso de alambre de acero, ruedas abrasivas de láminas
(use una llave fija adecuada)
- 5-1** Corona diamantada
(use una llave fija adecuada)

Fig. 17

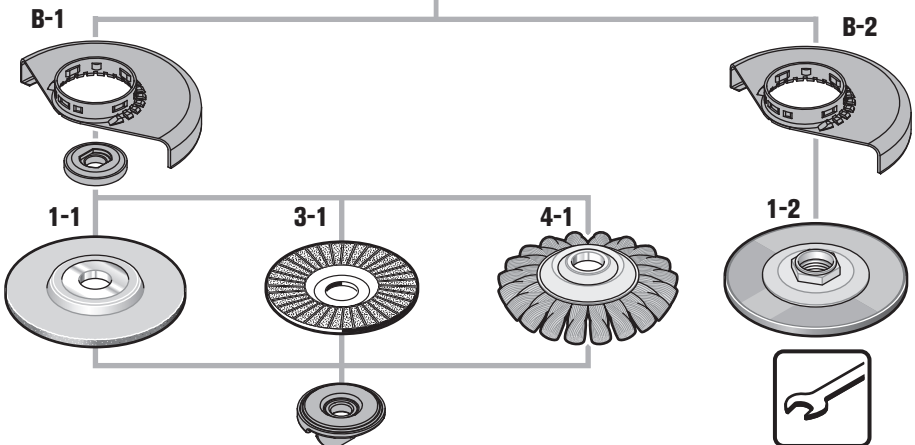
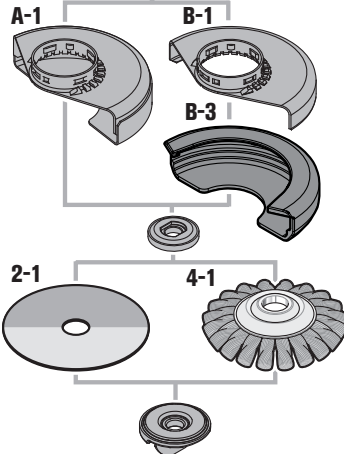
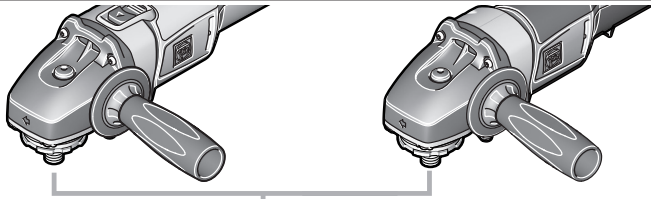
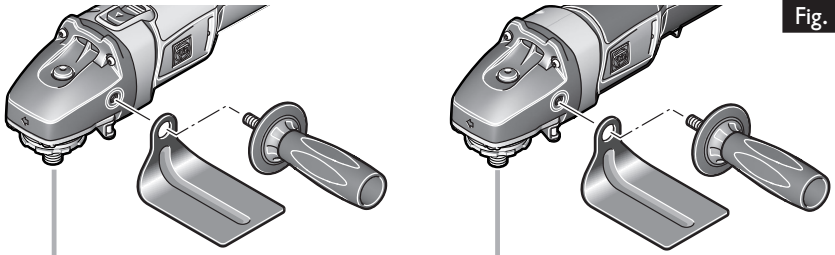
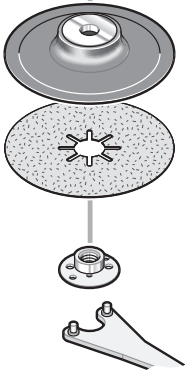


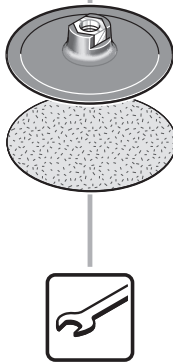
Fig. 18



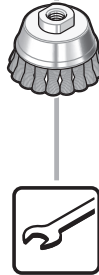
3-2



3-3



4-2



5-1





USA

FEIN Power Tools, Inc.
1000 Omega Drive
Suite 1180
Pittsburgh, PA 15205
www.feinus.com

Canada

FEIN Canadian Power Tool Company
323 Traders Boulevard East
Mississauga, Ontario L4Z 2E5
www.fein.ca

FEIN Service

FEIN Power Tools, Inc.
2735 Hickory Grove Road
Davenport, IA 52804
magdrillrepair@feinus.com

Headquarter

C. & E. Fein GmbH
Hans-Fein-Straße 81
D-73529 Schwäbisch Gmünd-Bargau
www.fein.com

