



## Pair of 110 mm aluminium (P) Prism jaws (FEIN VersaMAG)

Pair of 110 mm FEIN VersaMAG aluminium (P) Prism jaws. When machining round and square profiles with diameters of up to 30 mm, the VersaMAG jaws achieve a secure hold. Flat material can be clamped with ease thanks to the 90° milled slot at the top. No scratching of the material – superlative quality even with sensitive workpieces, such as stainless steel, aluminium or plastics. Thanks to the jaws, the workpiece doesn't wobble or slip. The premium FEIN quality of the jaws guarantees a long service life while also protecting the materials. Saves time on rework and increases productivity when working with sensitive workpieces. Only compatible with the FEIN VersaMAG vice set (9 07 01 003 02 0).|Scope of supply:|2 x P (Prism) aluminium jaws, up to diameter of 30 mm

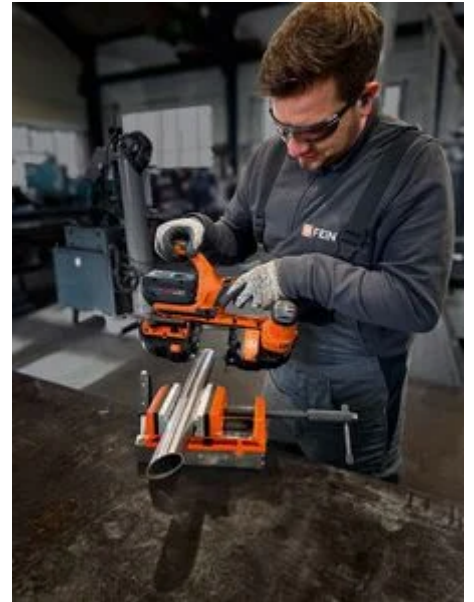
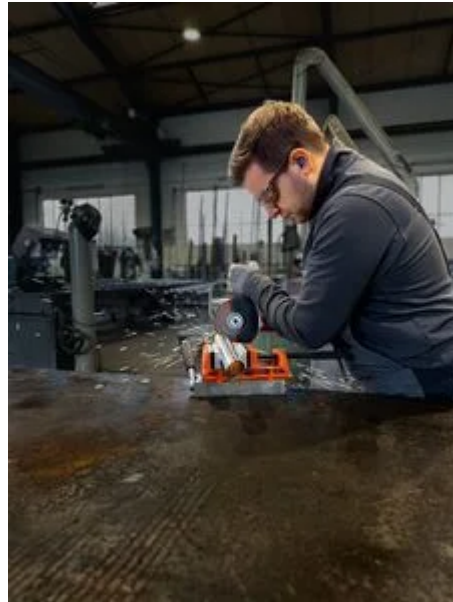
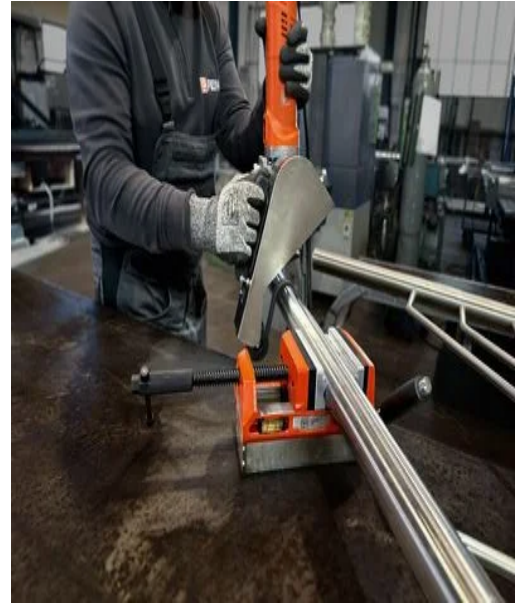
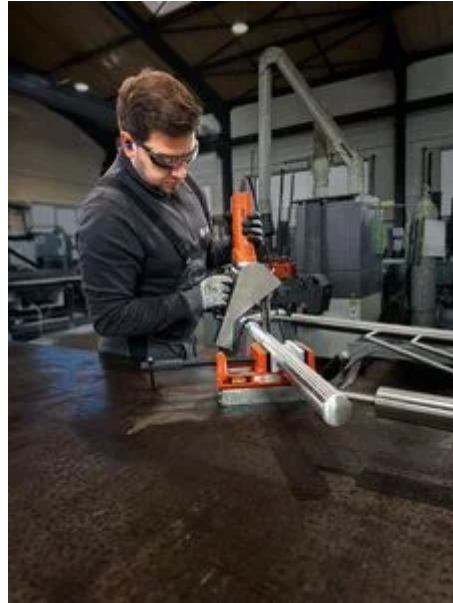
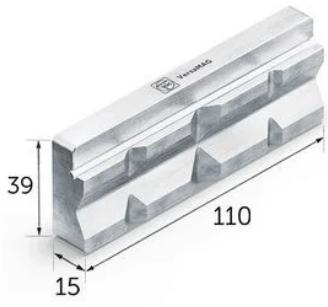
Product number: 3 02 40 477 01 0

### Technical data

#### TECHNICAL DATA

Material	Aluminum
Jaw height	40 mm
Jaw width	110 mm
Weight	0.25 kg

### Application examples





**FEIN**

